



**Table Of Contents**

The Company .....	C
Technical Data .....	C
Fastener Systems .....	D
Accessories .....	E
Linear Actuator Systems .....	F
Linear Actuator System Accessories .....	G
Protective And Separating Walls .....	H
Laser Enclosures .....	I
Roller Conveyors .....	J
Work And Laboratory Furniture .....	K
Turntables, Swivel Arms, Wiring Ducts .....	L
Pneumatics .....	M
Precision Technology .....	N
Tools And Screws .....	O
Index .....	P



Location Minden/Meißen



Location Petershagen/Lahde



*Paletti Profilsysteme* is a young organisation active in the manufacture of innovative production methods, as well as producing future-oriented technologies.



*Paletti* benefits are:

- ▲ high quality
- ▲ precision work
- ▲ very effective price / cost ratio
- ▲ order-processing that meets deadlines
- ▲ planning and development services

- ▲ The manufacturing strength of *Paletti Profilsysteme* lies in the development and manufacture of universal modular-based profile systems made from aluminum.
- ▲ The basic concept of the company before any development began was to take account of the high flexibility and economic viability demanded by the marketplace for machine and plant construction.
- ▲ Equipped with the most up-to-date CNC production facilities and with the support of a qualified team of engineers and specialists, *Paletti Profilsysteme* has made a name for itself in a very short amount of time.





Office enclosure



Welding booths



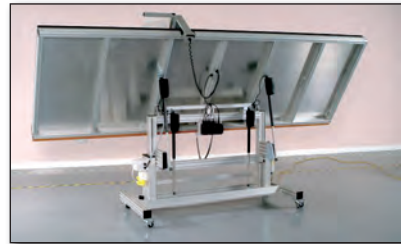
Industrial partitioning and guarding



Composite assembly tooling



Shipping container for jet engines



Harness assembly board



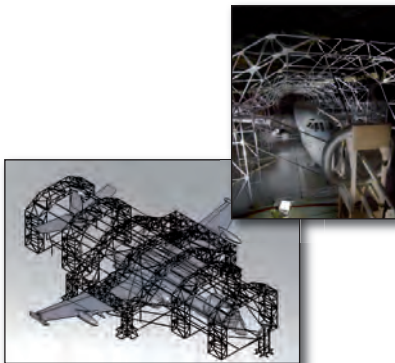
Testing station



JSF boom tooling



Environmental frame



Nimrod lightning strike framework design



Bike shelter



Wind screen



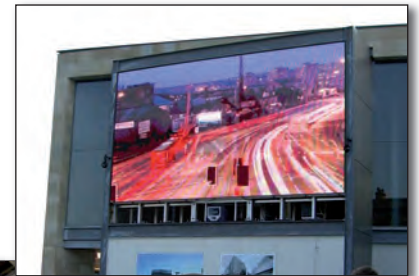
Product lifetime cycle testing



Flask inspection platform



Framework



Frame

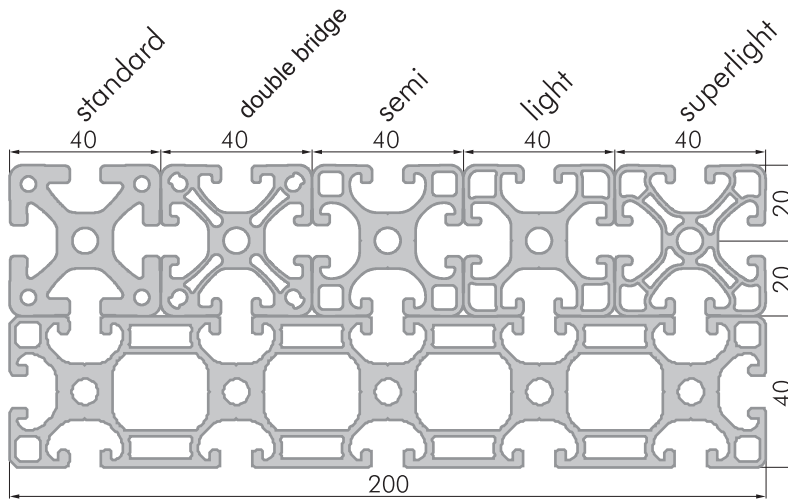


Production lines



LED support screen

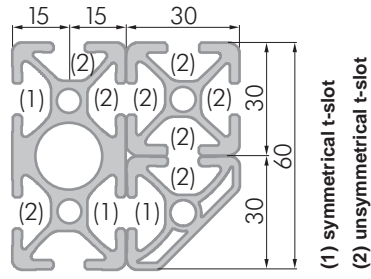
**40** Matrix 40



- t-slot 8
- center hole for M8



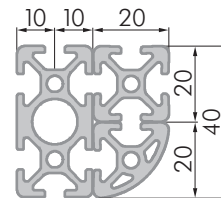
**30** Matrix 30 midi



- t-slot 8
- center hole for M8



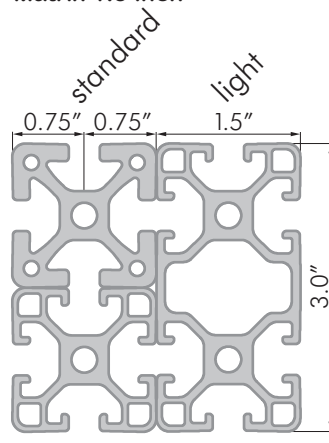
**20** Matrix 20 mini



- t-slot 5
- center hole for M5



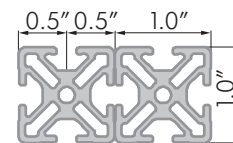
**1.5** Matrix 1.5 inch



- t-slot 8
- center hole for M8

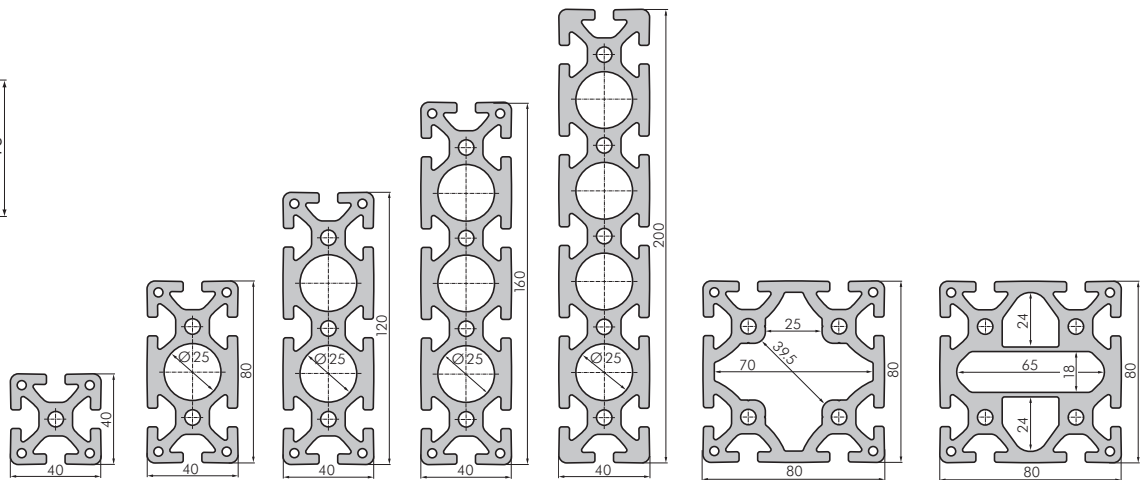
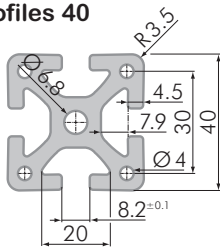


**1.0** Matrix 1.0 inch

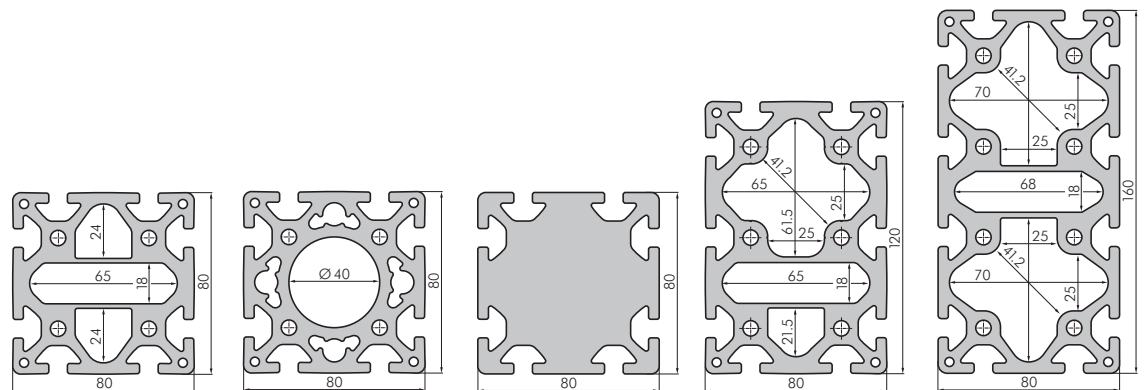
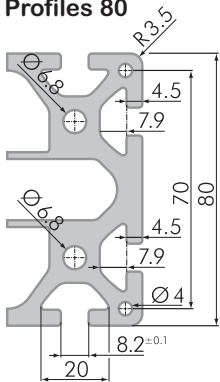


- t-slot 5
- center hole for M5



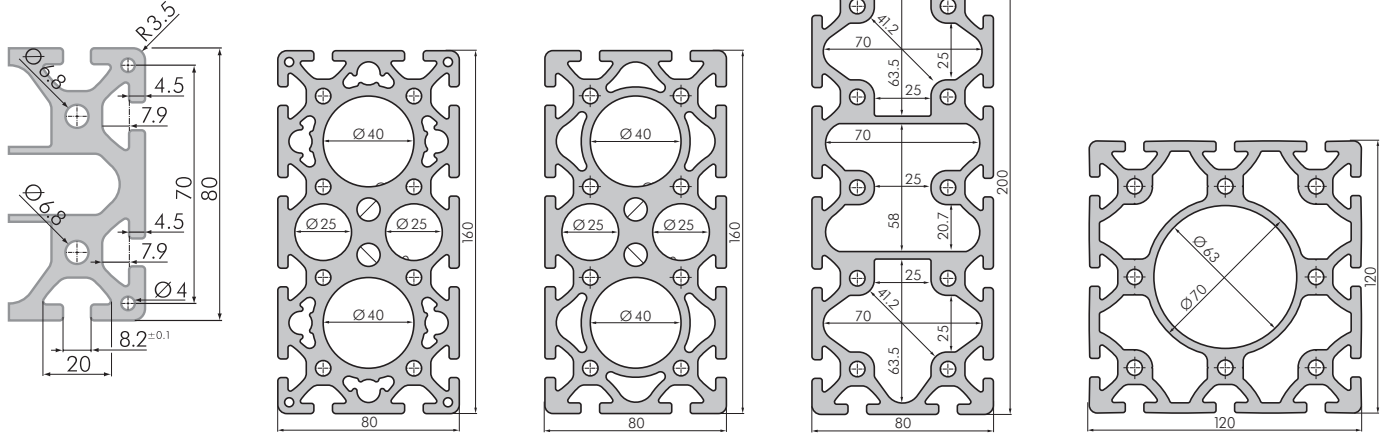
**Profiles 40**


Technical Data	40 x 40	40 x 80	40 x 120	40 x 160	40 x 200	80 x 80	80 x 80 bridge
$I_x$ [cm <sup>4</sup> ]	12.91	93.73	302.18	697.91	1386.00	173.08	174.65
$I_y$ [cm <sup>4</sup> ]	12.91	26.08	39.24	52.41	66.71	173.08	188.12
$W_x$ [cm <sup>3</sup> ]	6.46	23.43	50.36	87.24	138.60	43.27	43.66
$W_y$ [cm <sup>3</sup> ]	6.46	13.04	19.62	26.21	33.36	43.27	47.03
$A$ [cm <sup>2</sup> ]	8.49	15.95	23.41	30.87	33.36	24.51	27.98
$G$ [kg/m]	2.30	4.32	6.34	8.37	10.52	6.64	7.58
part number	SP4000N	SP4200N	SP4400N	SP4600N	SP4700N	SP8400N	SP8100N
per m charge	SP4001N	SP4201N	SP4401N	SP4601N	SP4701N	SP8401N	SP8101N
cutting charge	SB1001	SB1001	SB1002	SB1002	SB1003	SB1002	SB1002

**Profiles 80**


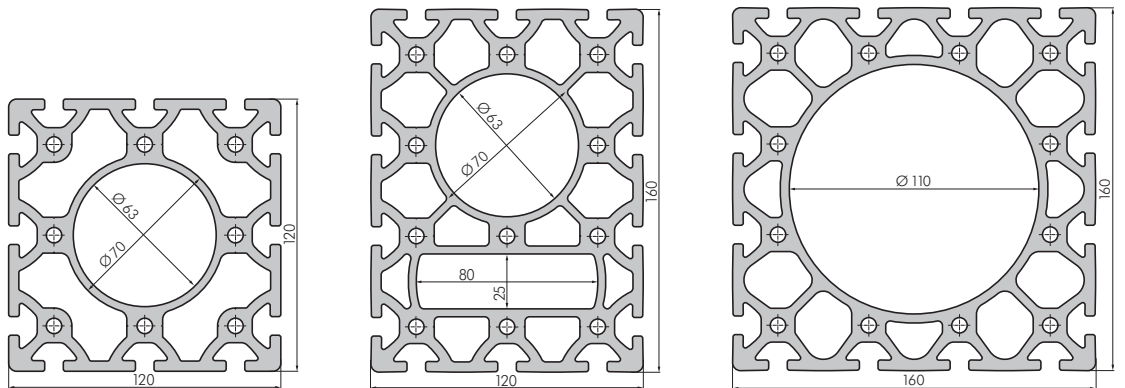
Technical Data	80 x 80 bridge NV	80 x 80 round	80 x 80 filled	80 x 120	80 x 160 bridge
$I_x$ [cm <sup>4</sup> ]	177.21	188.31	239.66	554.55	1112.01
$I_y$ [cm <sup>4</sup> ]	190.67	188.31	239.66	274.80	346.22
$W_x$ [cm <sup>3</sup> ]	44.30	47.08	59.92	89.73	139.00
$W_y$ [cm <sup>3</sup> ]	47.67	47.08	59.92	68.70	86.56
$A$ [cm <sup>2</sup> ]	28.23	30.24	50.99	38.57	45.56
$G$ [kg/m]	7.62	8.20	13.82	10.45	12.35
part number	SP8150N	SP8000N	SP8800N	SP8500N	SP8700N
per m charge	SP8151N	SP8001N	SP8801N	SP8501N	SP8701N
cutting charge	SB1002	SB1002	SB1002	SB1003	SB1003

**Profiles 40**



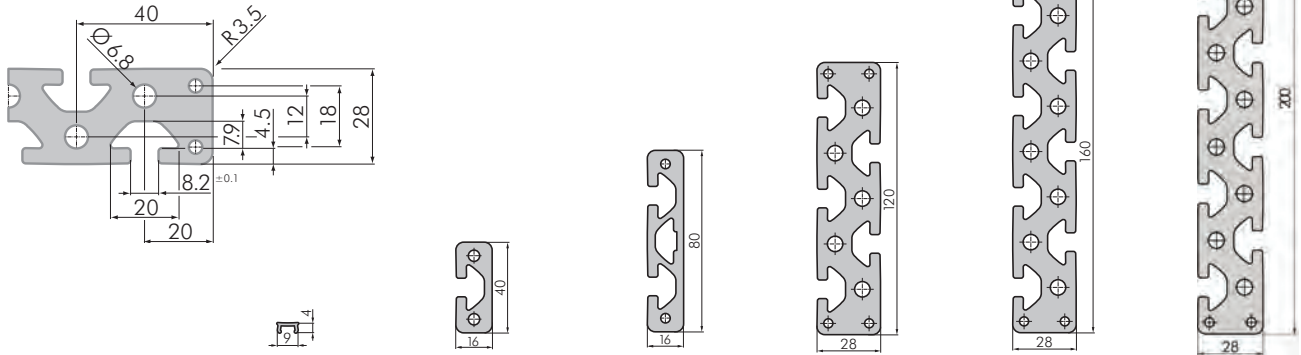
Technical Data	80 x 160 round	80 x 160 round NV	80 x 200	120 x 120
I <sub>x</sub> [cm <sup>4</sup> ]	1,354.32	1,300.36	2,120.64	763.23
I <sub>y</sub> [cm <sup>4</sup> ]	371.87	364.04	425.40	763.23
W <sub>x</sub> [cm <sup>3</sup> ]	169.29	162.55	212.06	127.21
W <sub>y</sub> [cm <sup>3</sup> ]	92.97	91.01	106.35	127.21
A [cm <sup>2</sup> ]	59.48	56.65	54.54	47.92
G [kg/m]	16.12	15.35	14.78	12.99
part number	SP8200N	SP8250N	SP8600N	SP7650N
per m charge	SP8201N	SP8251N	SP8601N	SP7651N
cutting charge	SB1003	SB1003	SB1003	SB1003

**Profiles 40**

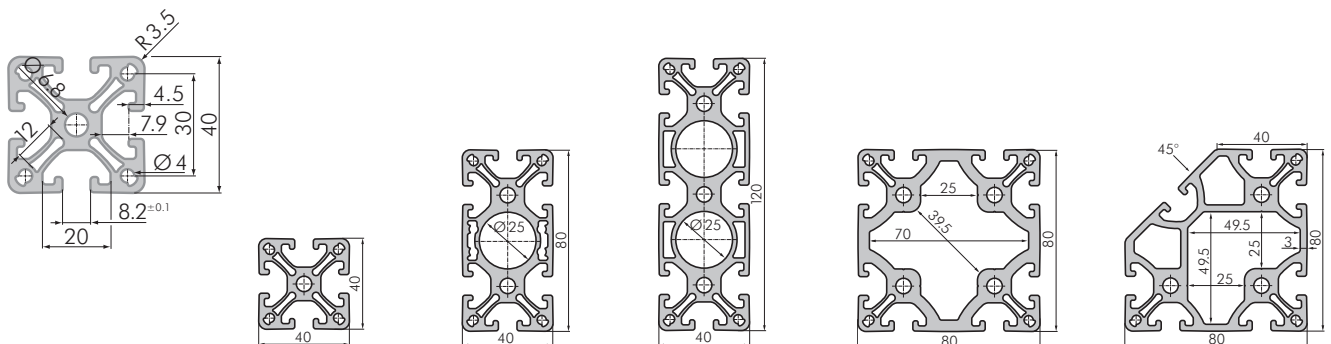


Technical Data	120 x 120 NV	120 x 160	160 x 160
I <sub>x</sub> [cm <sup>4</sup> ]	772.13	1,737.86	2,230.55
I <sub>y</sub> [cm <sup>4</sup> ]	772.13	1,042.18	2,230.55
W <sub>x</sub> [cm <sup>3</sup> ]	128.69	212.97	278.82
W <sub>y</sub> [cm <sup>3</sup> ]	128.69	173.70	278.82
A [cm <sup>2</sup> ]	48.31	66.39	74.12
G [kg/m]	13.09	17.99	20.09
part number	SP7660N	SP7670N	SP7680N
per m charge	SP7661N	SP7671N	SP7681N
cutting charge	SB1003	SB1003	SB1003



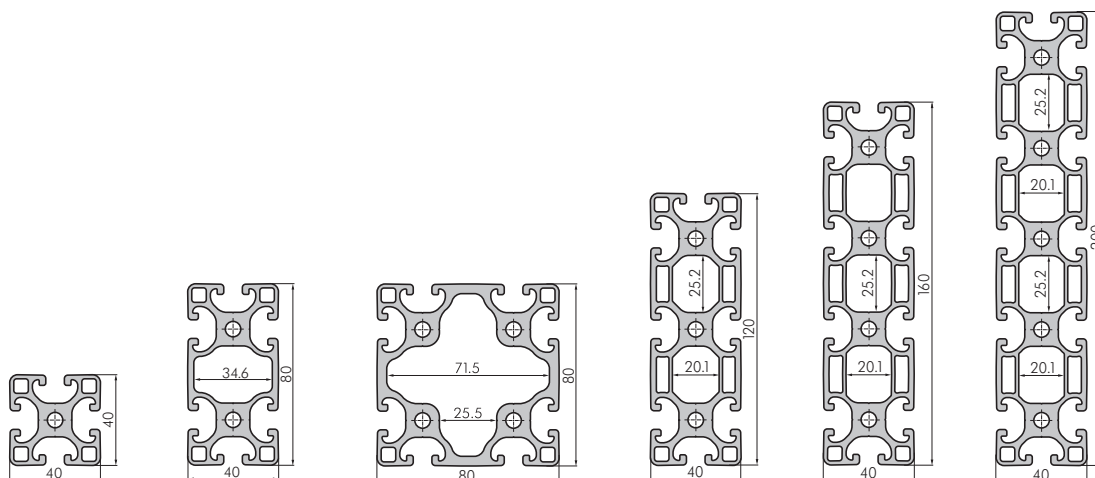
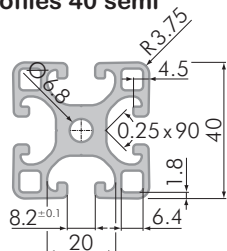
**Profiles 40**


Technical Data	Cover Profile 40	16 x 40	16 x 80	28 x 120	28 x 160	28 x 200
$I_x$ [cm <sup>4</sup> ]	0.00	6.95	48.99	302.71	695.74	1327.48
$I_y$ [cm <sup>4</sup> ]	0.01	1.08	2.17	15.31	20.25	25.01
$W_x$ [cm <sup>3</sup> ]	0.01	3.48	12.25	50.45	86.97	93.05
$W_y$ [cm <sup>3</sup> ]	0.02	1.27	2.55	10.63	14.16	2.5
$A$ [cm <sup>2</sup> ]	0.11	4.26	7.82	23.10	30.36	37.37
$G$ [kg/m]	0.03	1.15	2.12	6.26	8.23	9.94
part number (natural)	SP7900N	SP3000N	SP3100N	SP3300N	SP3400N	SP3450N
per m charge (natural)	SP7901N	SP3001N	SP3101N	SP3301N	SP3401N	SP3451N
part number (black)	SP7900S	SP3000S				
per m charge (black)	SP7901S	SP3001S				
cutting charge	SB1001	SB1001	SB1001	SB1002	SB1002	SB1003

**Profiles 40 double bridge**


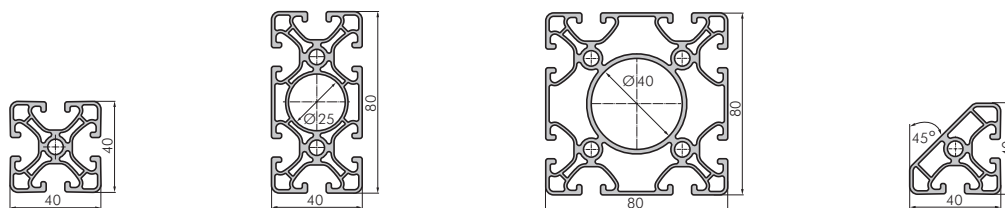
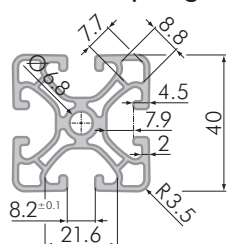
Technical Data	40 x 40 double bridge	40 x 80 double bridge	40 x 120 double bridge	80 x 80 double bridge	80 x 80 7N double bridge
$I_x$ [cm <sup>4</sup> ]	10.16	73.74	234.92	146.92	108.12
$I_y$ [cm <sup>4</sup> ]	10.16	19.88	28.94	146.92	108.12
$W_x$ [cm <sup>3</sup> ]	5.08	18.44	39.15	36.73	24.74
$W_y$ [cm <sup>3</sup> ]	5.08	9.94	14.47	36.73	24.74
$A$ [cm <sup>2</sup> ]	6.54	12.64	18.03	21.56	17.88
$G$ [kg/m]	1.77	3.43	4.89	5.84	4.85
part number	SP5100N	SP5300N	SP5220N	SP5500N	SP5470N
per m charge	SP5101N	SP5301N	SP5221N	SP5501N	SP5471N
cutting charge	SB1001	SB1001	SB1002	SB1002	SB1002

Profiles 40 semi

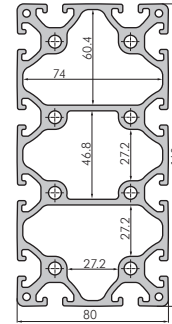
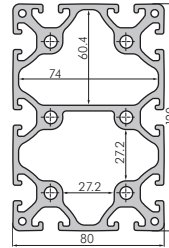
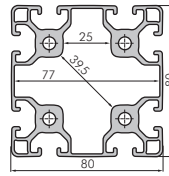
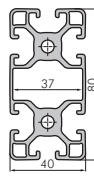
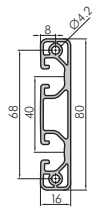
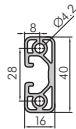
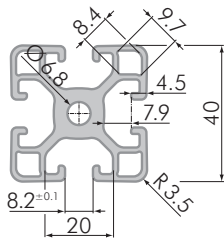


Technical Data	40 x 40 semi	40 x 80 semi	80 x 80 semi	40 x 120 semi	40 x 160 semi	40 x 200 semi
$I_x$ [cm <sup>4</sup> ]	9.17	69.49	134.28	222.70	520.54	970.93
$I_y$ [cm <sup>4</sup> ]	9.17	17.43	134.28	26.14	35.67	43.03
$W_x$ [cm <sup>3</sup> ]	4.59	17.37	33.57	37.12	65.07	97.09
$W_y$ [cm <sup>3</sup> ]	4.59	8.72	33.57	13.07	17.84	21.52
$A$ [cm <sup>2</sup> ]	6.44	11.18	19.37	16.74	22.82	26.98
$G$ [kg/m]	1.75	3.03	5.25	4.52	6.16	7.31
part number (natural)	SP5050N	SP5250N	SP5450N	SP4450N	SP4650N	SP5350N
per m charge (natural)	SP5051N	SP5251N	SP5451N	SP4451N	SP4651N	SP5351N
part number (black)	SP5050S	SP5250S				
per m charge (black)	SP5051S	SP5251S				
cutting charge	SB1001	SB1001	SB1002	SB1002	SB1003	SB1003

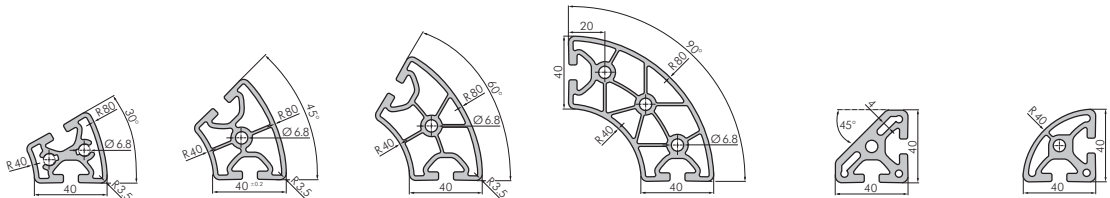
Profiles 40 superlight



Technical Data	40 x 40 superlight	40 x 80 superlight	80 x 80 superlight	40 x 40 egde superlight
$I_x$ [cm <sup>4</sup> ]	7.96	56.96	95.10	5.22
$I_y$ [cm <sup>4</sup> ]	7.96	15.02	95.10	5.22
$W_x$ [cm <sup>3</sup> ]	3.98	14.24	23.78	2.24
$W_y$ [cm <sup>3</sup> ]	3.98	7.51	23.78	2.24
$A$ [cm <sup>2</sup> ]	5.14	9.16	13.93	3.88
$G$ [kg/m]	1.39	2.48	3.78	1.05
part number	SP5600N	SP5700N	SP5800N	SP5670N
per m charge	SP5601N	SP5701N	SP5801N	SP5671N
cutting charge	SB1001	SB1001	SB1002	SB1001

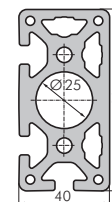
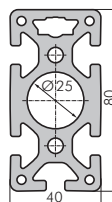
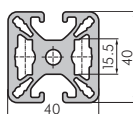
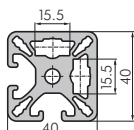
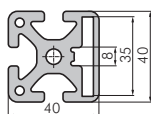
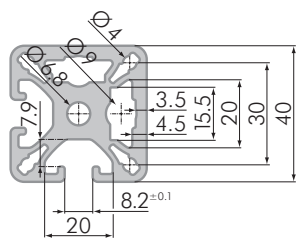
**Profiles 40 light**


Technical Data	16 x 40 light	40 x 40 light	16 x 80 light	40 x 80 light	80 x 80 light	80 x 120 light	80 x 160 light	20 x 120 light	20 x 240 light
I <sub>x</sub> [cm <sup>4</sup> ]	4.49	7.82	30.00	60.79	105.13	418.05	906.61	117,96	912,88
I <sub>y</sub> [cm <sup>4</sup> ]	0.75	7.82	1.46	14.06	105.13	201.67	260.24	3,97	7,81
W <sub>x</sub> [cm <sup>3</sup> ]	2.25	3.91	7.50	15.20	26.28	69.44	113.33	19,66	76,07
W <sub>y</sub> [cm <sup>3</sup> ]	1.01	3.91	1.69	7.03	26.28	50.42	65.06	3,88	7,73
A [cm <sup>2</sup> ]	2.73	5.67	4.55	9.80	15.56	26.20	33.30	9,4	18,6
G [kg/m]	0.74	1.54	1.23	2.65	4.22	7.10	9.02	2,28	4,55
part number	SP3050N	SP5000N	SP3150N	SP5200N	SP5400N	SP5420N	SP5440N	SP3500N	SP3600N
per m charge	SP3051N	SP5001N	SP3151N	SP5201N	SP5401N	SP5421N	SP5441N	SP3501N	SP3601N
cutting charge	SB1001	SB1001	SB1001	SB1001	SB1002	SB1003	SB1003	SB1002	SB1003

**Closed Profiles 40**


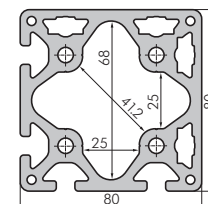
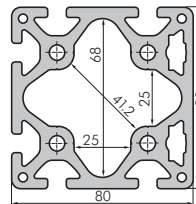
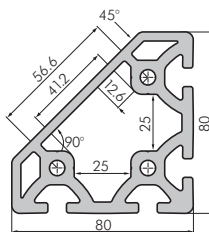
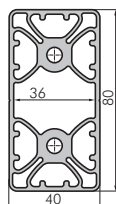
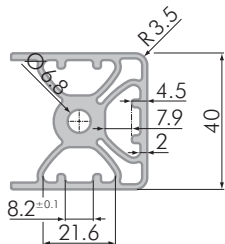
Technical Data	R40/80 30°	R40/80 45°	R40/80 60°	R40/80 90°	40/40 edge	40/40 R 90
I <sub>x</sub> [cm <sup>4</sup> ]	6.09	16.26	30.40	66.03	8.88	8.21
I <sub>y</sub> [cm <sup>4</sup> ]	8.48	11.85	19.27	66.03	8.88	8.21
W <sub>x</sub> [cm <sup>3</sup> ]	2.67	5.06	7.94	16.14	3.89	3.54
W <sub>y</sub> [cm <sup>3</sup> ]	3.59	4.59	6.40	16.14	3.89	3.54
A [cm <sup>2</sup> ]	5.79	7.09	8.30	12.69	6.92	6.23
G [kg/m]	1.57	1.92	2.25	3.44	1.88	1.69
part number	SP7250N	SP7260N	SP7270N	SP7280N	SP7200N	SP7210N
per m charge	SP7251N	SP7261N	SP7271N	SP7281N	SP7201N	SP7211N
cutting charge	SB1001	SB1001	SB1001	SB1002	SB1001	SB1001

**Closed Profiles 40**

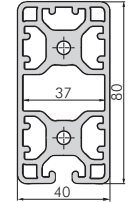
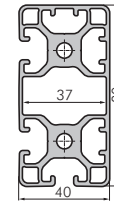
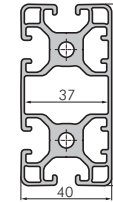
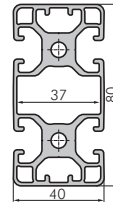
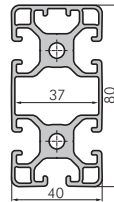
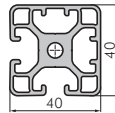
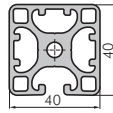
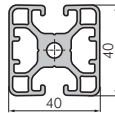
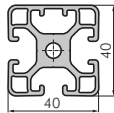
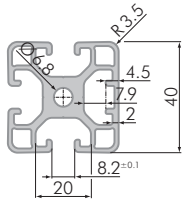


Technical Data	40 x 40 3N	40 x 40 2N 90°	40 x 40 2N 180°	40 x 80 5N	40 x 80 4N	40 x 80 3N
I <sub>x</sub> [cm <sup>4</sup> ]	12.20	11.88	10.69	98.51	96.65	102.21
I <sub>y</sub> [cm <sup>4</sup> ]	12.01	11.88	13.24	26.10	28.11	28.23
W <sub>x</sub> [cm <sup>3</sup> ]	5.95	5.66	5.35	24.63	24.16	25.05
W <sub>y</sub> [cm <sup>3</sup> ]	6.01	5.66	6.62	13.05	13.58	13.64
A [cm <sup>2</sup> ]	8.33	8.11	8.11	16.31	16.67	17.16
G [kg/m]	2.26	2.20	2.20	4.42	4.52	4.65
part number	SP7100N	SP6500N	SP6400N	SP6900N	SP6800N	SP7180N
per m charge	SP7101N	SP6501N	SP6401N	SP6901N	SP6801N	SP7181N
cutting charge	SB1001	SB1001	SB1001	SB1001	SB1001	SB1001

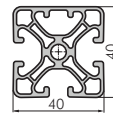
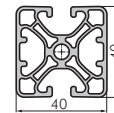
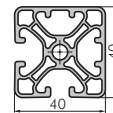
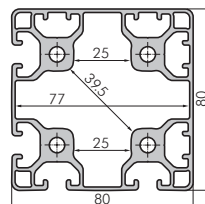
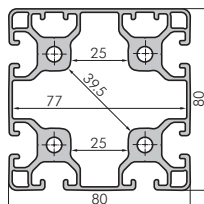
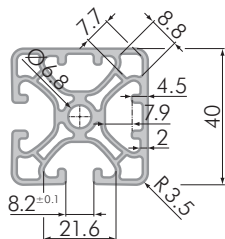
**Closed Profiles 40**



Technical Data	40 x 80 closed	80 x 80 edge	80 x 80 6N	80 x 80 4N 90°
I <sub>x</sub> [cm <sup>4</sup> ]	70.39	122.08	174.34	183.37
I <sub>y</sub> [cm <sup>4</sup> ]	17.57	122.08	180.22	183.37
W <sub>x</sub> [cm <sup>3</sup> ]	17.60	25.76	43.59	44.83
W <sub>y</sub> [cm <sup>3</sup> ]	8.79	25.76	43.96	44.83
A [cm <sup>2</sup> ]	10.74	19.79	24.63	25.51
G [kg/m]	2.91	5.36	6.67	6.91
part number	SP5900N	SP8050N	SP6600N	SP6700N
per m charge	SP5901N	SP8051N	SP6601N	SP6701N
cutting charge	SB1001	SB1002	SB1002	SB1002

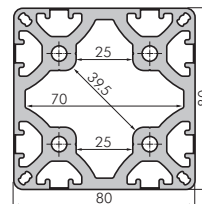
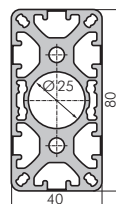
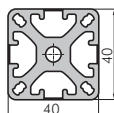
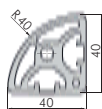
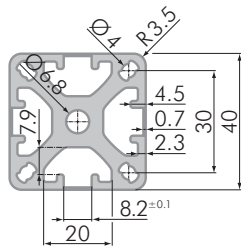
**Closed Profiles 40 light**


Technical Data	40 x 40 3N light	40 x 40 2N 180° light	40 x 40 1N semi	40 x 40 2N 90° light	40 x 80 5N light	40 x 80 4N 180° light	40 x 80 4N 270° light	40 x 80 3N 90° light	40 x 80 1N light
lx [cm <sup>4</sup> ]	8.41	7.88	9.94	8.44	63.22	65.74	62.12	64.56	65.90
ly [cm <sup>4</sup> ]	7.85	9.02	10.67	8.44	14.09	14.12	15.23	15.26	16.49
Wx [cm <sup>3</sup> ]	4.10	3.94	4.84	4.12	15.57	16.44	15.53	15.90	16.23
Wy [cm <sup>3</sup> ]	3.93	4.51	5.34	4.12	7.05	7.06	7.39	7.41	8.25
A [cm <sup>2</sup> ]	5.83	5.99	7.04	5.99	9.95	10.12	10.12	10.28	10.60
G [kg/m]	1.58	1.62	1,92	1.62	2.70	2.74	2.74	2.78	2.86
part number (natural)	SP5510N	SP5520N	SP5480N	SP5530N	SP5540N	SP5550N	SP5560N	SP5570N	SP5680N
per m charge (natural)	SP5511N	SP5521N	SP5481N	SP5531N	SP5541N	SP5551N	SP5561N	SP5571N	SP5681N
part number (black)				SP5530S					
per m charge (black)				SP5531S					
cutting charge	SB1001	SB1001	SB1001	SB1001	SB1001	SB1001	SB1001	SB1001	SB1001

**Closed Profiles 40 light / superlight**


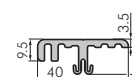
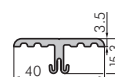
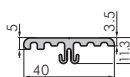
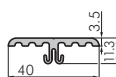
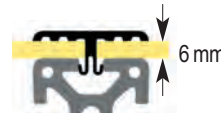
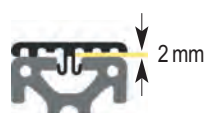
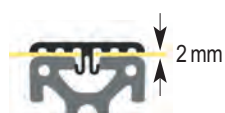
Technical Data	80 x 80 6N light	80 x 80 4N 90° light	40 x 40 2N 90° superlight	40 x 40 2N 180° superlight	40 x 40 3N superlight
lx [cm <sup>4</sup> ]	109.99	111.33	8.48	7.93	8.45
ly [cm <sup>4</sup> ]	106.47	111.33	8.48	9.06	7.90
Wx [cm <sup>3</sup> ]	26.96	27.29	4.12	3.97	4.10
Wy [cm <sup>3</sup> ]	26.62	27.29	4.12	4.53	3.95
A [cm <sup>2</sup> ]	15.88	16.20	5.40	5.40	5.24
G [kg/m]	4.30	4.39	1.46	1.46	1.42
part number	SP5580N	SP5590N	SP5620N	SP5630N	SP5640N
per m charge	SP5581N	SP5591N	SP5621N	SP5631N	SP5641N
cutting charge	SB1002	SB1002	SB1001	SB1001	SB1001

Tear-Off Profiles



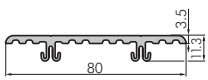
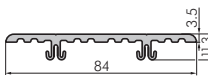
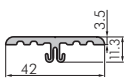
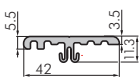
Technical Data	Tear-Off Profile 40 / 40 R90	Tear-Off Profile 40 x 40 0 / 4N	Tear-Off Profile 40 x 80 0 / 6N	Tear-Off Profile 80 x 80 0 / 8N
I <sub>x</sub> [cm <sup>4</sup> ]	8,03	11.73	85.73	162.66
I <sub>y</sub> [cm <sup>4</sup> ]	8,03	11.73	21.52	162.66
W <sub>x</sub> [cm <sup>3</sup> ]	3,51	5.87	21.43	40.66
W <sub>y</sub> [cm <sup>3</sup> ]	3,51	5.87	10.76	40.66
A [cm <sup>2</sup> ]	6,08	7.88	13.93	23.34
G [kg/m]	1,64	2.14	3.78	6.67
part number	SP3930N	SP3900N	SP3910N	SP3920N
per m charge	SP3931N	SP3901N	SP3911N	SP3921N
cutting charge	SB1001	SB1001	SB1001	SB1002

Profiles 40 For Protective Walls



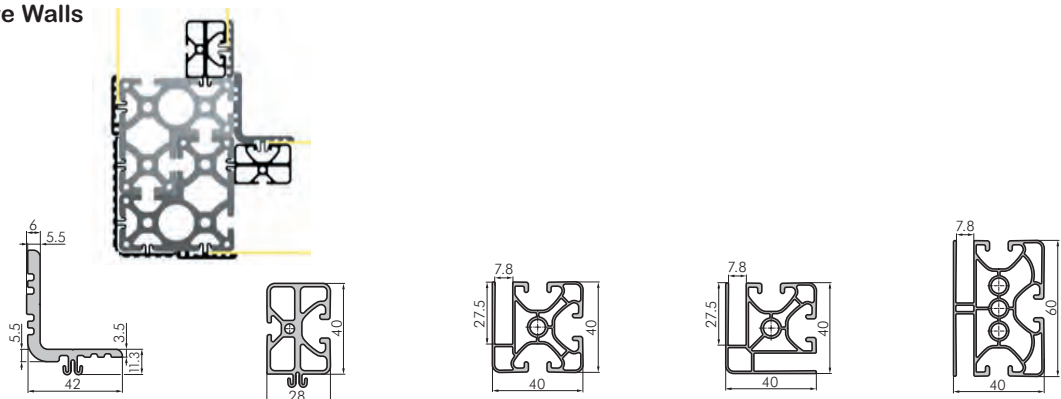
→	H-5	Blend Profile 40 / 2 180°	Blend Profile 40 / 2 90°	Blend Profile 40 / 6 180°	Blend Profile 40 / 6 90°
Technical Data					
I <sub>x</sub> [cm <sup>4</sup> ]		0.11	0.12	0.27	0.30
I <sub>y</sub> [cm <sup>4</sup> ]		1.40	1.63	1.41	2.17
W <sub>x</sub> [cm <sup>3</sup> ]		0.13	0.14	0.24	0.15
W <sub>y</sub> [cm <sup>3</sup> ]		0.70	0.78	0.70	0.95
A [cm <sup>2</sup> ]		1.38	1.48	1.58	1.95
G [kg/m]		0.37	0.40	0.43	0.53
part number		SP0570N	SP0580N	SP0510N	SP0520N
per m charge		SP0571N	SP0581N	SP0511N	SP0521N
cutting charge		SB1001	SB1001	SB1001	SB1001

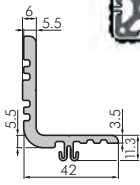

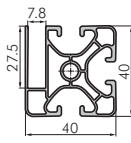
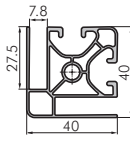
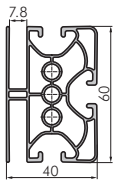
**Profiles 40 For Protective Walls**


→	H-5				
Technical Data		Blend Profile 80/2 180°	Blend Profile 84/2 180°	Blend Profile 44/2 180°	Blend Profile 42/2 90°
$I_x$ [cm <sup>4</sup> ]		0.23	0.23	0.12	0.12
$I_y$ [cm <sup>4</sup> ]		14.19	16.46	1.98	2.01
$W_x$ [cm <sup>3</sup> ]		0.27	0.27	0.14	0.14
$W_y$ [cm <sup>3</sup> ]		3.55	3.92	0.90	0.91
A [cm <sup>2</sup> ]		2.90	3.04	1.56	1.63
G [kg/m]		0.79	0.82	0.42	0.44
part number		SP0360N	SP0380N	SP0330N	SP0340N
per m charge		SP0361N	SP0381N	SP0331N	SP0341N
cutting charge		SB1001	SB1001	SB1001	SB1001
Price and delivery time			on request	on request	on request

**Profiles 40 For Protective Walls**

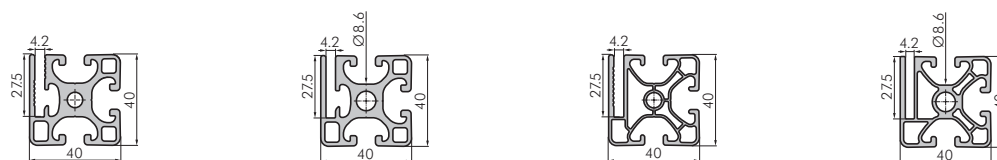
Panel Thickness 7.8 mm



→	H-10 – H-17					
Technical Data		Blend Corner Profile 40	Edge Stop Profile 40	Mesh Guarding Profile 40	Mesh Guarding Profile 40 90°	Mesh Guarding Profile 40 180°
$I_x$ [cm <sup>4</sup> ]		9.60	7.06	5.90	5.34	8.13
$I_y$ [cm <sup>4</sup> ]		4.66	2.89	5.74	5.34	1.64
$W_x$ [cm <sup>3</sup> ]		2.89	2.89	0.29	0.26	0.27
$W_y$ [cm <sup>3</sup> ]		1.47	2.05	0.27	0.26	0.08
A [cm <sup>2</sup> ]		3.87	4.14	3.67	3.47	5.06
G [kg/m]		1.05	1.12	0.99	0.94	1.37
part number		SP0420N	SP6120N	SP6300N	SP6310N	SP6320N
per m charge		SP0421N	SP6121N	SP6301N	SP6311N	SP6321N
cutting charge		SB1001	SB1001	SB1001	SB1001	SB1001
Price and delivery time		on request	on request			

**Profiles 40 For Protective Walls**

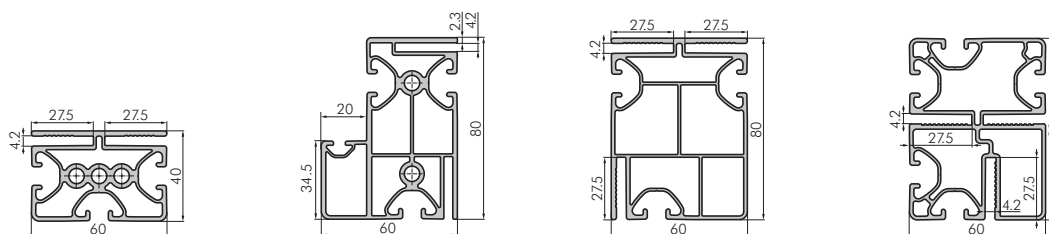
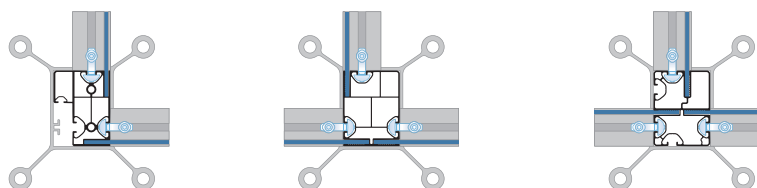
Panel Thickness 4 mm



→ H-18 – H-36	Technical Data	Protection Wall Profile 40/4 semi	Protection Wall Profile 40/4-8.6 semi	Protection Wall Profile 40/4	Protection Wall Profile 40/4-8.6
	$I_x$ [cm <sup>4</sup> ]	9.17	9.15	7.87	7.90
	$I_y$ [cm <sup>4</sup> ]	9.76	9.74	8.47	8.50
	$W_x$ [cm <sup>3</sup> ]	4.56	4.55	3.88	3.90
	$W_y$ [cm <sup>3</sup> ]	4.75	4.74	4.13	4.15
	A [cm <sup>2</sup> ]	6.67	6.45	5.11	5.18
	G [kg/m]	1.80	1.74	1.38	1.40
	part number	SP6340N	SP6280N	SP6350N	SP6270N
	per m charge	SP6341N	SP6281N	SP6351N	SP6271N
	cutting charge	SB1001	SB1001	SB1001	SB1001

**Profiles 40 For Protective Walls**

Panel Thickness 4 mm

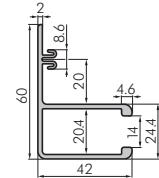
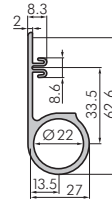
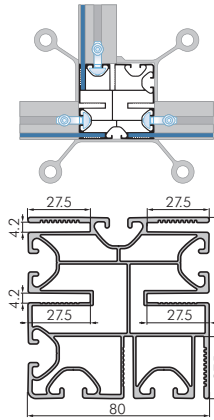


→ H-18 – H-36	Technical Data	Protection Wall Profile 40/4 180°	Protection Wall Support Leg Door Profile 60 x 80	Protection Wall Support Leg Profile 60 x 80	Protection Wall Support Leg Profile 60 x 80 5N
	$I_x$ [cm <sup>4</sup> ]	12.66	65.37	70.71	63.14
	$I_y$ [cm <sup>4</sup> ]	24.57	29.27	38.18	38.70
	$W_x$ [cm <sup>3</sup> ]	6.00	15.46	16.44	15.62
	$W_y$ [cm <sup>3</sup> ]	8.18	8.18	12.10	12.47
	A [cm <sup>2</sup> ]	7.47	9.85	9.16	9.90
	G [kg/m]	2.02	2.66	2.47	2.67
	part number	SP6360N	SP6380N	SP6370N	SP6450N
	per m charge	SP6361N	SP6381N	SP6371N	SP6451N
	cutting charge	SB1001	SB1002	SB1002	SB1002

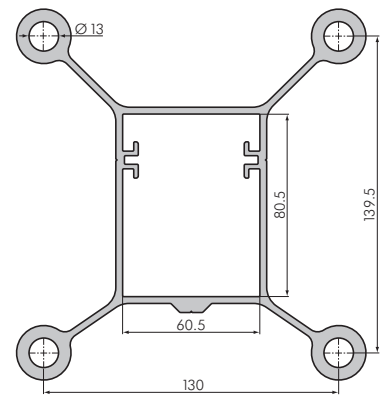
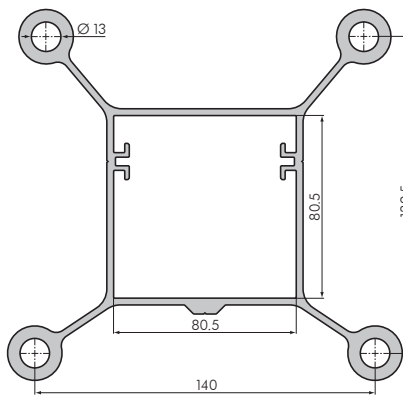
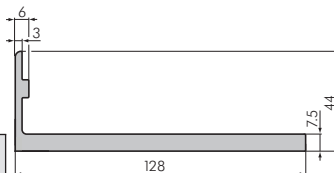


**Profiles 40 For Protective Walls**

Panel Thickness 4 mm

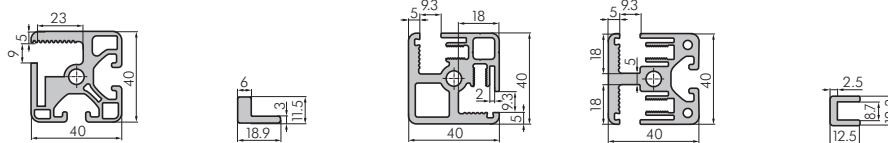
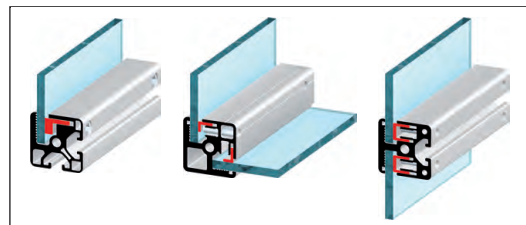


→ H-18 – H-36	Protection Wall Support Leg Profile 80 x 80	Wiring Duct Ø27	Wiring Duct 42 x 60
Technical Data			
$I_x$ [cm <sup>4</sup> ]	88.41	8.64	9.29
$I_y$ [cm <sup>4</sup> ]	87.72	2.54	6.84
$W_x$ [cm <sup>3</sup> ]	21.58	2.23	2.39
$W_y$ [cm <sup>3</sup> ]	21.66	1.44	2.48
A [cm <sup>2</sup> ]	12.51	3.15	3.25
G [kg/m]	3.38	0.85	0.88
part number	SP6330N	SP6460N	SP6390N
per m charge	SP6331N	SP6461N	SP6391N
cutting charge	SB1002	SB1001	SB1001
Price and delivery time		on request	on request

**Profiles 40 For Protective Walls**


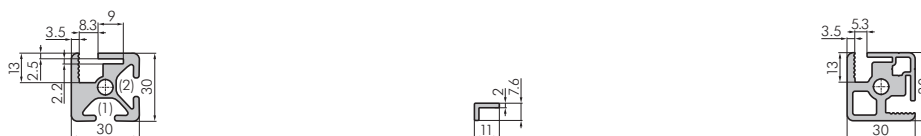
→ H-18 – H-36	Door Jam Profile	Mounting Foot Profile 80 x 80	Mounting Foot Profile 60 x 80
Technical Data			
$I_x$ [cm <sup>4</sup> ]	5.831	867.94	852.58
$I_y$ [cm <sup>4</sup> ]	177.236	917.45	697.14
$W_x$ [cm <sup>3</sup> ]	1.55	103.02	102.06
$W_y$ [cm <sup>3</sup> ]	24.78	105.45	90.54
A [cm <sup>2</sup> ]	10.925	28.11	27.12
G [kg/m]	2.95	7.59	7.32
part number	SP0410N	SP0530N	SP0560N
per m charge	SP0411N	SP0531N	SP0561N
cutting charge	SB1002	SB1003	SB1003

Clamp Profiles 40

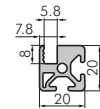
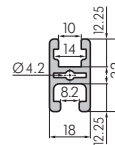
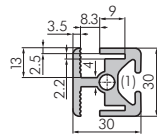
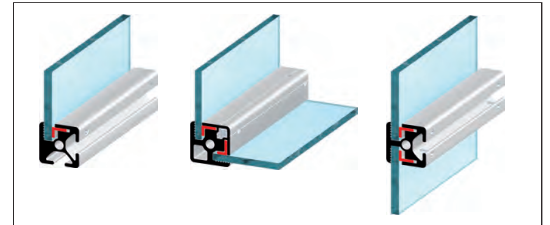


→	H-3, H-5				
Technical Data	Clamp Profile 40	Clamp Strip 40	Clamp Profile 40 90°	Clamp Profile 40 180°	Clamp Strip 40 180°
$I_x$ [cm <sup>4</sup> ]	9.20	0.12	10.11	10.19	0.14
$I_y$ [cm <sup>4</sup> ]	10.30	0.29	10.11	12.01	0.94
$W_x$ [cm <sup>3</sup> ]	4.49	0.17	4.89	5.10	0.22
$W_y$ [cm <sup>3</sup> ]	5.05	0.23	4.89	5.80	1.19
A [cm <sup>2</sup> ]	6.76	1.07	6.74	7.23	0.66
G [kg/m]	1.83	0.29	1.83	1.96	0.18
part number	SP7500N	SP6000N	SP7520N	SP7510N	SP6010N
per m charge	SP7501N	SP6001N	SP7521N	SP7511N	SP6011N
cutting charge	SB1001	SB1001	SB1001	SB1001	SB1001

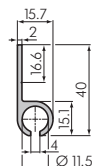
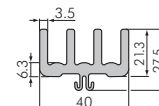
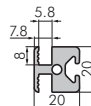
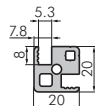
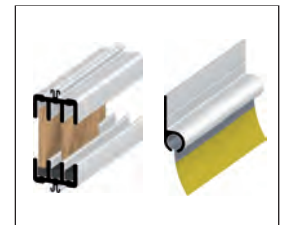
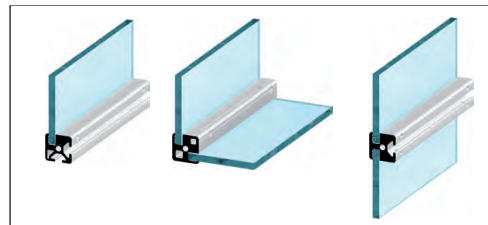
Clamp Profiles 30 midi



→	H-4			
Technical Data	Clamp Profile 30 midi	Clamp Strip 30 midi	Clamp Profile 30 90° midi	
$I_x$ [cm <sup>4</sup> ]	3.75	0.01	4.17	
$I_y$ [cm <sup>4</sup> ]	3.88	0.04	4.17	
$W_x$ [cm <sup>3</sup> ]	2.31	0.03	2.69	
$W_y$ [cm <sup>3</sup> ]	2.54	0.05	2.69	
A [cm <sup>2</sup> ]	4.31	0.33	5.42	
G [kg/m]	1.17	0.09	1.47	
part number	SP1550N	SP6050N	SP1540N	
per m charge	SP1551N	SP6051N	SP1541N	
cutting charge	SB1001	SB1001	SB1001	

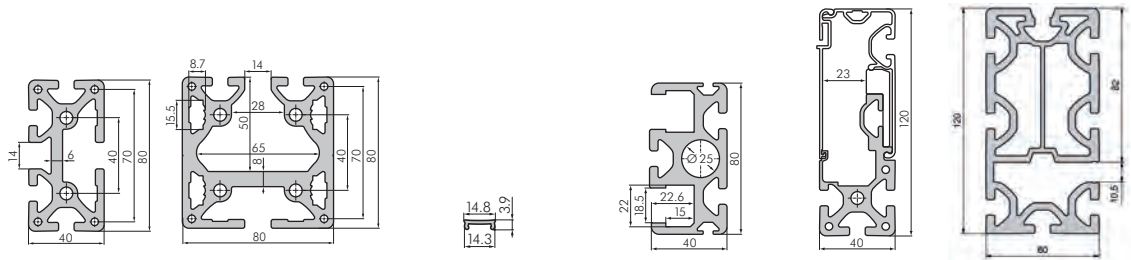
**Clamp Profiles 30 midi**


→	H-4		Clamp Profile 30 180° midi	Clamp Profile 18 x 32 midi	Clamp Profile 20 mini
	Technical Data				
	$I_x$ [cm <sup>4</sup> ]		3.75	1.87	0.78
	$I_y$ [cm <sup>4</sup> ]		3.88	1.10	0.79
	$W_x$ [cm <sup>3</sup> ]		2.31	1.16	0.73
	$W_y$ [cm <sup>3</sup> ]		2.54	1.22	0.78
	A [cm <sup>2</sup> ]		4.31	2.48	2.17
	G [kg/m]		1.17	0.67	0.59
	part number		SP1560N	SP7030N	SP2010N
	per m charge		SP1561N	SP7031N	SP2011N
	cutting charge		SB1001	SB1001	SB1001

**Clamp Profiles 20 mini,  
Sliding Door Profile, Tent Profile**


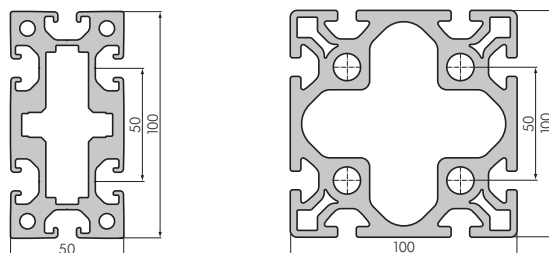
→	H-4, E-34		Clamp Profile 20 90° mini	Clamp Profile 20 180° mini	Sliding Door Profile 40	Tent Profile
	Technical Data					
	$I_x$ [cm <sup>4</sup> ]		0.83	0.87	1.92	1.61
	$I_y$ [cm <sup>4</sup> ]		0.83	0.76	6.84	0.37
	$W_x$ [cm <sup>3</sup> ]		0.82	0.87	13.61	0.65
	$W_y$ [cm <sup>3</sup> ]		0.82	0.71	3.42	0.35
	A [cm <sup>2</sup> ]		2.41	2.37	4.46	1.44
	G [kg/m]		0.65	0.64	1.21	0.39
	part number		SP2050N	SP2020N	SP0400N	SP0700N
	per m charge		SP2051N	SP2021N	SP0401N	SP0701N
	cutting charge		SB1001	SB1001	SB1001	SB1001

**Open Profiles / Roller Conveyor Profiles**

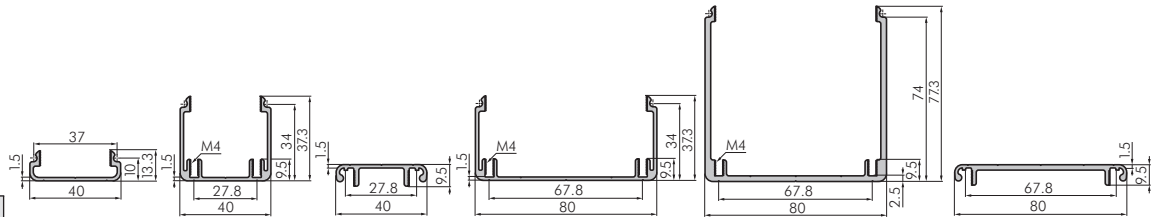


→	L-1, J-10						
Technical Data		40 x 80, open	80 x 80, open	Cover Profile 14	Chain Guide Profile 41 x 80	Roller Conveyor Profile 40 x 120	Timing belt conveyer profile 60 x 120
$I_x$ [cm <sup>4</sup> ]		93.83	199.39	0.00	79.03	208.99	395.74
$I_y$ [cm <sup>4</sup> ]		21.41	150.37	0.05	20.10	26.93	104.76
$W_x$ [cm <sup>3</sup> ]		23.46	49.85	0.01	34.90	30.58	65.26
$W_y$ [cm <sup>3</sup> ]		10.50	37.59	0.07	5.02	10.67	34.36
A [cm <sup>2</sup> ]		14.01	25.26	0.20	13.81	15.89	25.47
G [kg/m]		3.80	6.85	0.05	3.73	4.31	6.88
part number		SP2610N	SP2620N	SP7910N	SP0790N	SP0800N	SP0820N
per m charge		SP2611N	SP2621N	SP7911N	SP0791N	SP0801N	SP0821N
cutting charge		SB1001	SB1002	SB1001	SB1001	SB1003	SB1002
Price and delivery time					on request		

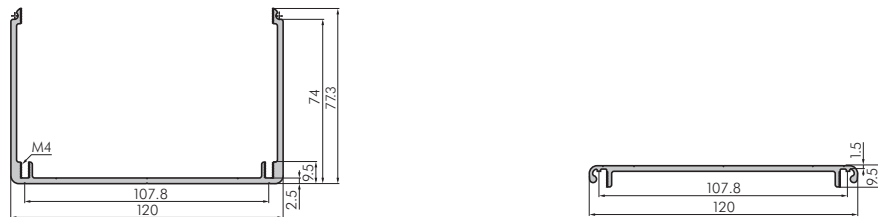
**Profiles 50 x 100, 100 x 100**



Technical Data	50 x 100	100 x 100
$I_x$ [cm <sup>4</sup> ]	214.51	404.84
$I_y$ [cm <sup>4</sup> ]	61.70	404.84
$W_x$ [cm <sup>3</sup> ]	42.90	80.97
$W_y$ [cm <sup>3</sup> ]	24.68	80.97
A [cm <sup>2</sup> ]	21.61	36.76
G [kg/m]	5.80	9,92
part number	SP3800N	SP3850N
per m charge	SP3801N	SP3851N
cutting charge	SB1002	SB1003

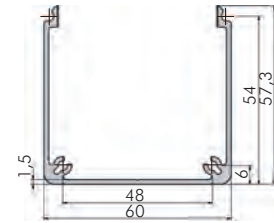
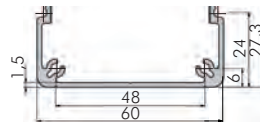
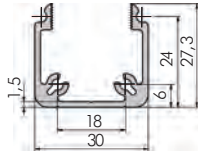
**Wiring Ducts**


→	L-2, L-3						
	Technical Data	Wiring Duct 16 x 40	Wiring Duct 40 x 40	Wiring Duct Cover 40	Wiring Duct 40 x 80	Wiring Duct 80 x 80	Wiring Duct Cover 80
	$I_x$ [cm <sup>4</sup> ]	0.15	3.13	0.08	3.74	37.60	0.10
	$I_y$ [cm <sup>4</sup> ]	2.18	5.93	2.01	29.82	70.95	14.91
	$W_x$ [cm <sup>3</sup> ]	0.16	1.24	0.12	1.36	7.17	0.14
	$W_y$ [cm <sup>3</sup> ]	1.09	2.97	1.01	7.46	17.74	3.73
	A [cm <sup>2</sup> ]	1.04	2.28	1.17	2.87	6.14	2.37
	G [kg/m]	0.28	0.62	0.32	0.78	1.66	0.64
	part number	SP1300N	SP1310N	SP1370N	SP1320N	SP1330N	SP1380N
	per m charge	SP1301N	SP1311N	SP1371N	SP1321N	SP1331N	SP1381N
	cutting charge	SB1001	SB1001	SB1001	SB1001	SB1001	SB1001

**Wiring Ducts**


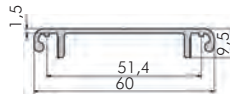
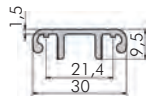
→	L-2, L-3		
	Technical Data	Wiring Duct 80 x 120	Wiring Duct Cover 120
	$I_x$ [cm <sup>4</sup> ]	42.39	0.11
	$I_y$ [cm <sup>4</sup> ]	175.96	46.70
	$W_x$ [cm <sup>3</sup> ]	7.60	0.15
	$W_y$ [cm <sup>3</sup> ]	29.33	7.78
	A [cm <sup>2</sup> ]	7.14	3.37
	G [kg/m]	1.93	0.91
	part number	SP1340N	SP1390N
	per m charge	SP1341N	SP1391N
	cutting charge	SB1002	SB1002

**Wiring Ducts**

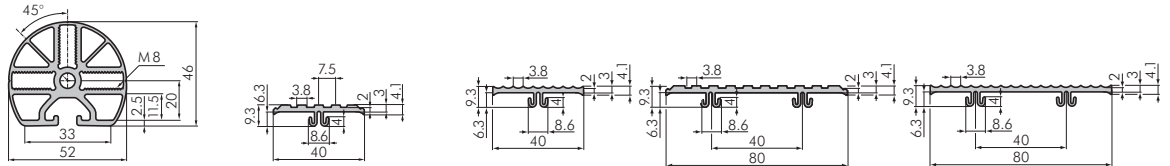


Technical Data	Wiring Duct 30 x 30	Wiring Duct 30 x 60	Wiring Duct 60 x 60
$I_x$ [cm <sup>4</sup> ]	1.22	1.46	11.28
$I_y$ [cm <sup>4</sup> ]	2.47	13.02	20.73
$W_x$ [cm <sup>3</sup> ]	0.66	0.73	2.89
$W_y$ [cm <sup>3</sup> ]	1.65	4.34	6.91
$A$ [cm <sup>2</sup> ]	1.83	2.28	3.18
$G$ [kg/m]	0.49	0.61	0.86
part number	SP1250N	SP1260N	SP1270N
per m charge	SP1251N	SP1261N	SP1271N
cutting charge	SB1001	SB1001	SB1001

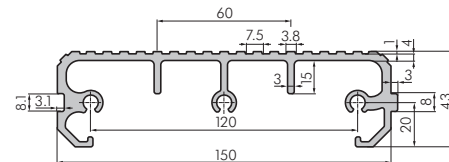
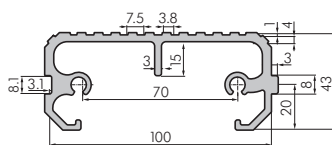
**Wiring Ducts**



Technical Data	Wiring Duct cover 30	Wiring Duct cover 60
$I_x$ [cm <sup>4</sup> ]	0.07	0.09
$I_y$ [cm <sup>4</sup> ]	0.89	6.11
$W_x$ [cm <sup>3</sup> ]	0.11	0.13
$W_y$ [cm <sup>3</sup> ]	0.59	2.04
$A$ [cm <sup>2</sup> ]	1.02	1.47
$G$ [kg/m]	0.28	0.4
part number	SP1280N	SP1290N
per m charge	SP1281N	SP1291N
cutting charge	SB1001	SB1001

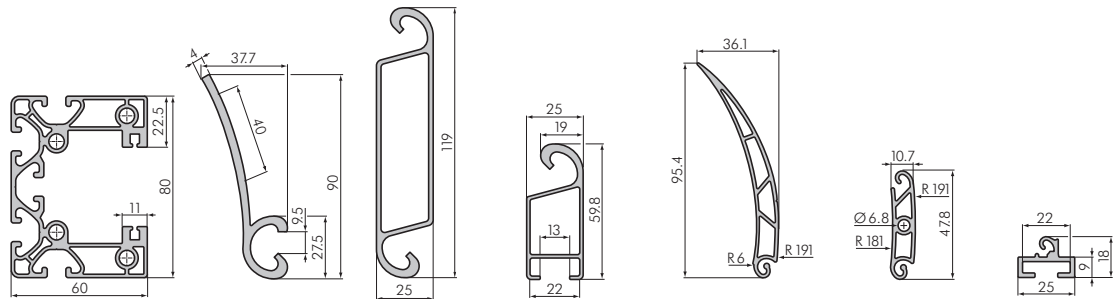
**Tread and Step Profiles**


Technical Data	Hand Rail Profile	Tread Plate 40	Tread Plate 40W	Tread Plate 80	Tread Plate 80W
$I_x$ [cm <sup>4</sup> ]	11.19	0.06	0.05	0.12	0.11
$I_y$ [cm <sup>4</sup> ]	13.57	1.34	1.34	12.32	12.20
$W_x$ [cm <sup>3</sup> ]	4.48	0.09	0.08	0.18	0.17
$W_y$ [cm <sup>3</sup> ]	5.22	0.67	0.67	3.12	3.05
A [cm <sup>2</sup> ]	7.22	1.25	1.18	2.47	2.34
G [kg/m]	1.96	0.34	0.32	0.67	0.63
part number	SP0600N	SP0640N	SP0660N	SP0630N	SP0650N
per m charge	SP0601N	SP0641N	SP0661N	SP0631N	SP0651N
cutting charge	SB1001	SB1001	SB1001	SB1001	SB1003

**Step Profiles**


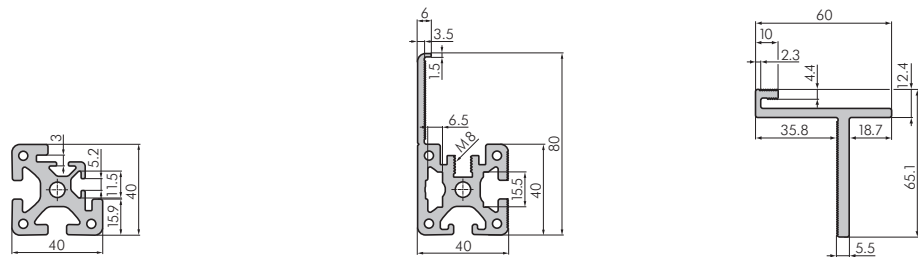
Technical Data	Step Profile 43 x 100	Step Profile 43 x 150
$I_x$ [cm <sup>4</sup> ]	15.37	18.57
$I_y$ [cm <sup>4</sup> ]	130.66	356.07
$W_x$ [cm <sup>3</sup> ]	5.57	6.29
$W_y$ [cm <sup>3</sup> ]	26.13	46.95
A [cm <sup>2</sup> ]	9.27	12.40
G [kg/m]	2.51	3.36
part number	SP0610N	SP0620N
per m charge	SP0611N	SP0621N
cutting charge	SB1001	SB1002

**Roller Door Profiles**



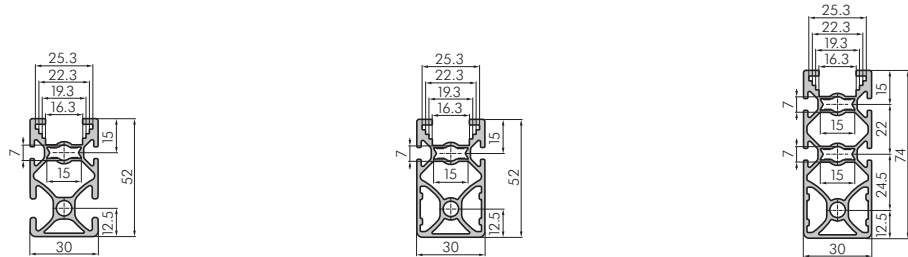
Technical Data	Roller Door Side Track Profile	Roller Door Connector	Roller Door Pr.	Roller Door End Profile	Roller Door Connector 10	Roller Door Pr. 10 x 40	Roller Door End Profile 10
$I_x$ [cm <sup>4</sup> ]	83.79	32.83	93.71	11.80	26.10	3.44	0.32
$I_y$ [cm <sup>4</sup> ]	44.75	4.00	5.58	2.50	2.69	0.25	0.81
$W_x$ [cm <sup>3</sup> ]	20.95	2.05	15.75	3.63	5.31	1.43	0.30
$W_y$ [cm <sup>3</sup> ]	13.69	6.30	4.46	1.77	1.11	0.45	0.62
A [cm <sup>2</sup> ]	11.08	4.61	6.29	3.13	3.53	2.02	1.39
G [kg/m]	3.00	1.25	1.70	0.85	0.95	0.55	0.38
part number	SP0740N	SP0730N	SP0720N	SP0710N	SP0680N	SP0670N	SP0770N
per m charge	SP0741N	SP0731N	SP0721N	SP0711N	SP0681N	SP0671N	SP0771N
cutting charge	SB1002	SB1001	SB1001	SB1001	SB1001	SB1001	SB1001
Price and delivery time		on request	on request	on request	on request	on request	on request

**Table Profiles**

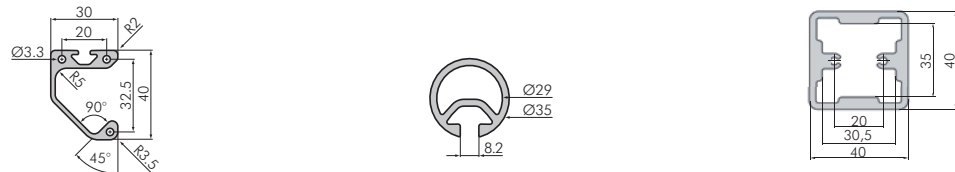


→	K-6, K-7		
Technical Data	Table Profile 40 x 40	Table Profile 40 x 80	Support Rail For Table Profile
$I_x$ [cm <sup>4</sup> ]	9.96	31.49	18.80
$I_y$ [cm <sup>4</sup> ]	9.96	16.80	12.28
$W_x$ [cm <sup>3</sup> ]	4.44	5.74	4.53
$W_y$ [cm <sup>3</sup> ]	4.44	7.24	3.83
A [cm <sup>2</sup> ]	7.45	9.61	5.60
G [kg/m]	2.02	2.61	1.52
part number	SP7000N	SP2500N	SP0500N
per m charge	SP7001N	SP2501N	SP0501N
cutting charge	SB1001	SB1001	SB1001



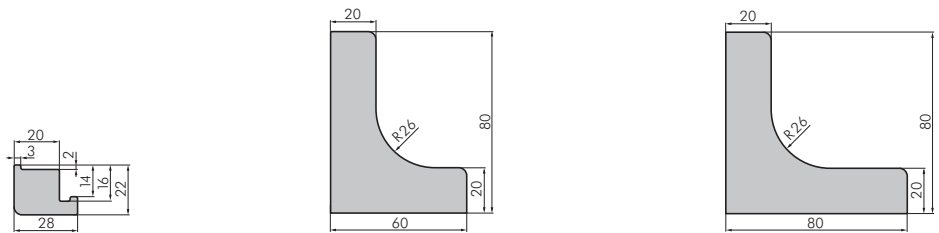
**Cabinet Profiles**


Technical Data	Cabinet Profile 30 x 52, open	Cabinet Profile 30 x 52	Cabinet Profile 30 x 74
$I_x$ [cm <sup>4</sup> ]	12.77	13.05	110.67
$I_y$ [cm <sup>4</sup> ]	5.14	5.44	70.05
$W_x$ [cm <sup>3</sup> ]	4.72	4.79	20.23
$W_y$ [cm <sup>3</sup> ]	3.43	3.62	11.39
A [cm <sup>2</sup> ]	4.72	4.88	6.56
G [kg/m]	1.28	1.32	1.77
part number	SP1800N	SP1810N	SP1820N
per m charge	SP1801N	SP1811N	SP1821N
cutting charge	SB1001	SB1001	SB1001
Price and delivery time	on request	on request	on request

**Cabinet Profiles**


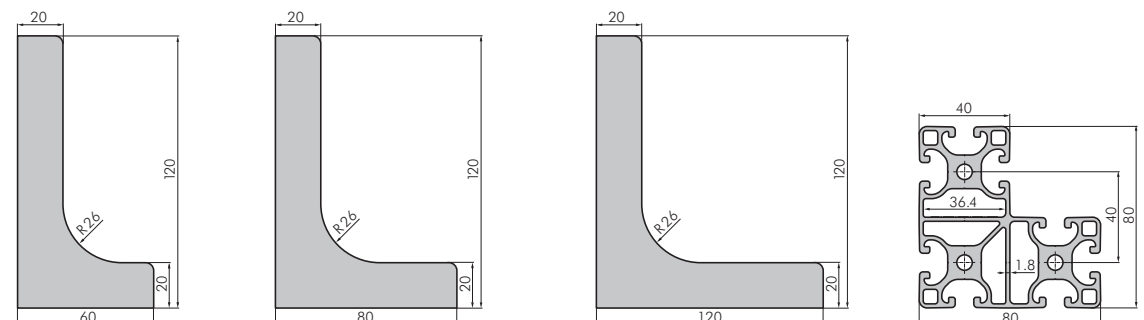
Technical Data	Handle Strip Profile 30 x 40	Telescope Profile Ø 34.5	Telescope Profile 40 x 40
$I_x$ [cm <sup>4</sup> ]	5.88	3.69	10,58
$I_y$ [cm <sup>4</sup> ]	2.85	4.37	11,59
$W_x$ [cm <sup>3</sup> ]	3.83	2.06	5,29
$W_y$ [cm <sup>3</sup> ]	1.80	2.50	5,79
A [cm <sup>2</sup> ]	2.98	3.77	5,76
G [kg/m]	0.80	1.00	1,56
part number	SP0590N	SP1900N	SB3700N
per m charge	SP0591N	SP1901N	SB3701N
cutting charge	SB1001	SB1001	SB1001

**Angle Profiles**

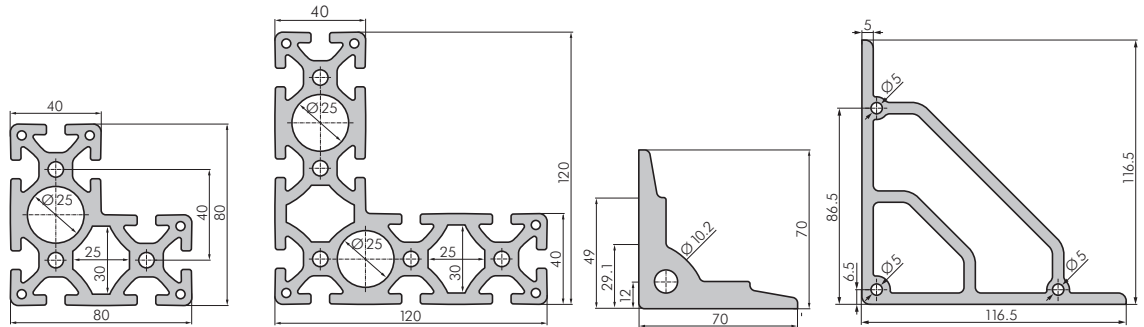


→	E-29 – E-33	Clamp Profile 22 x 28	Angle Profile 60 x 80	Angle Profile 80 x 80
Technical Data				
$I_x$ [cm <sup>4</sup> ]		1.62	135.91	150.69
$I_y$ [cm <sup>4</sup> ]		2.37	64.41	150.69
$W_x$ [cm <sup>3</sup> ]		1.29	27.02	28.45
$W_y$ [cm <sup>3</sup> ]		1.44	16.22	28.45
A [cm <sup>2</sup> ]		4.58	25.40	29.40
G [kg/m]		1.24	6.88	7.97
part number		SP6100N	SP9300N	SP9400N
per m charge		SP6101N	SP9301N	SP9401N
cutting charge		SB1001	SB1002	SB1002

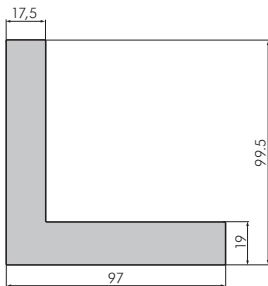
**Angle Profiles**



→	E-29 – E-33	Angle Profile 60 x 120	Angle Profile 80 x 120	Angle Profile 120 x 120	Angle Profile 40 x 80/80 semi
Technical Data					
$I_x$ [cm <sup>4</sup> ]		445.95	49.49	567.72	90.82
$I_y$ [cm <sup>4</sup> ]		73.52	17.16	567.72	90.82
$W_x$ [cm <sup>3</sup> ]		60.67	6.39	68.29	19.69
$W_y$ [cm <sup>3</sup> ]		17.55	3.03	68.29	19.69
A [cm <sup>2</sup> ]		33.40	37.40	45.40	16.62
G [kg/m]		9.05	10.13	12.26	4.50
part number		SP7800N	SP7850N	SP7860N	SP5150N
per m charge		SP7801N	SP7851N	SP7861N	SP5151N
cutting charge		SB1002	SB1003	SB1003	SB1002

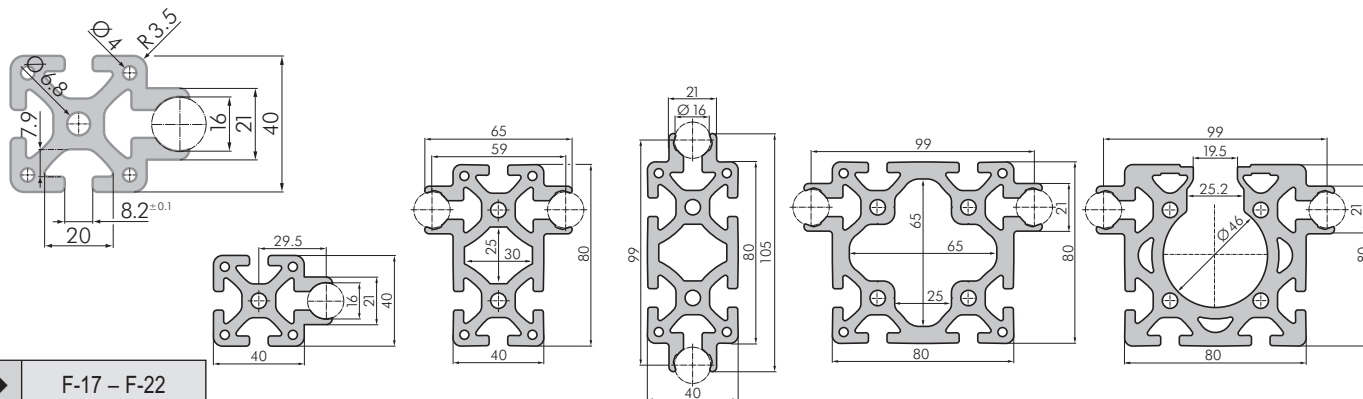
**Angle Profiles**


→	E-29 – E-33				
Technical Data		Angle Profile 40 x 80 / 80	Angle Profile 40 x 120 / 120	Angle Profile 70 x 70	Angle Profile 120 x 120 Bridge
$I_x$ [cm <sup>4</sup> ]		125.71	471.16	46.02	225.29
$I_y$ [cm <sup>4</sup> ]		127.71	471.16	46.02	225.29
$W_x$ [cm <sup>3</sup> ]		27.03	62.32	9.17	28.63
$W_y$ [cm <sup>3</sup> ]		27.03	62.32	9.17	28.63
A [cm <sup>2</sup> ]		22.91	37.47	13.70	21.51
G [kg/m]		6.21	10.15	3.71	5.83
part number		SP4800N	SP4500N	SP9450N	SP6200N
per m charge		SP4801N	SP4501N	SP9451N	SP6201N
cutting charge		SB1002	SB1003	SB1002	SB1003

**Angle Profiles**


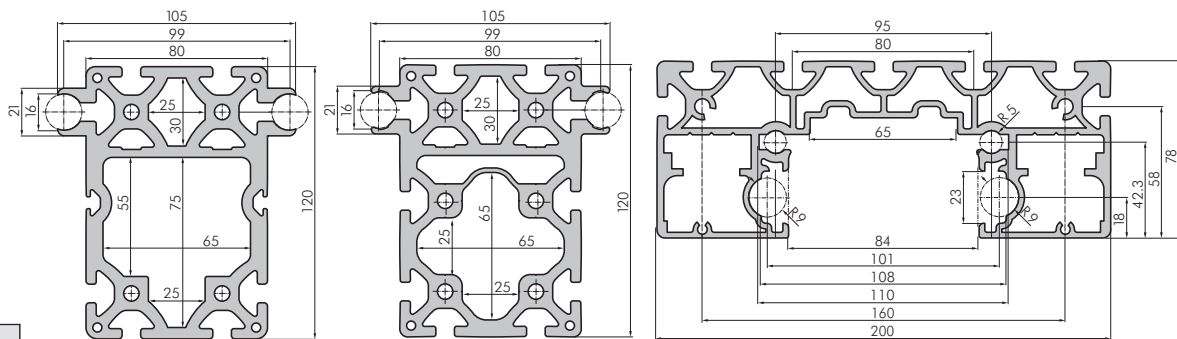
→	E-29 – E-33	
Technical Data		Angle Profile 100 x 100
$I_x$ [cm <sup>4</sup> ]		279.18
$I_y$ [cm <sup>4</sup> ]		274.20
$W_x$ [cm <sup>3</sup> ]		40.79
$W_y$ [cm <sup>3</sup> ]		41.72
A [cm <sup>2</sup> ]		32.52
G [kg/m]		8.78
part number		SP9480N
per m charge		SP9481N
cutting charge		SB1003

Linear Actuator System 16

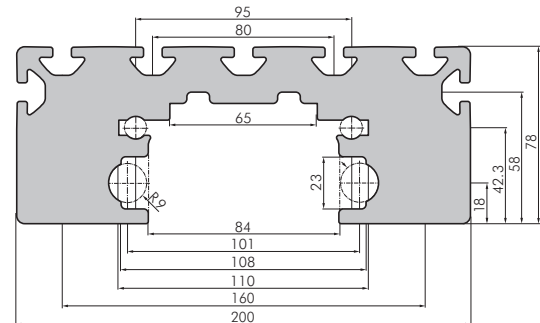
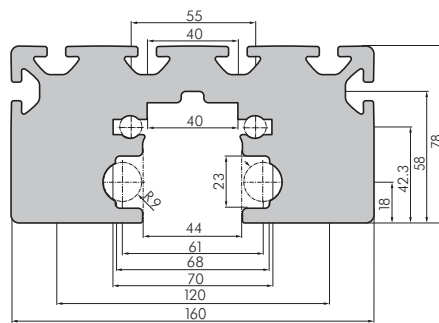


→ F-17 – F-22	Technical Data	Track Profile 16 40 x 40	Track Profile 16 40 x 80 / 40	Track Profile 16 40 x 80 / 80	Track Profile 16 80 x 80	Track Profile 16 80 x 80, open
	$I_x$ [cm <sup>4</sup> ]	18.35	102.09	132.43	215.75	240.32
	$I_y$ [cm <sup>4</sup> ]	13.60	37.21	26.60	185.32	189.65
	$W_x$ [cm <sup>3</sup> ]	6.12	24.19	25.22	41.10	45.77
	$W_y$ [cm <sup>3</sup> ]	6.80	11.45	13.30	44.76	46.71
	A [cm <sup>2</sup> ]	9.53	17.54	17.53	26.97	29.74
	G [kg/m]	2.58	4.75	4.75	7.31	8.06
	part number	SP4100N	SP4300N	SP4900N	SP8300N	SP8350N
	per m charge	SP4101N	SP4301N	SP4901N	SP8301N	SP8351N
	cutting charge	SB1001	SB1001	SB1001	SB1002	SB1002

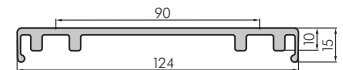
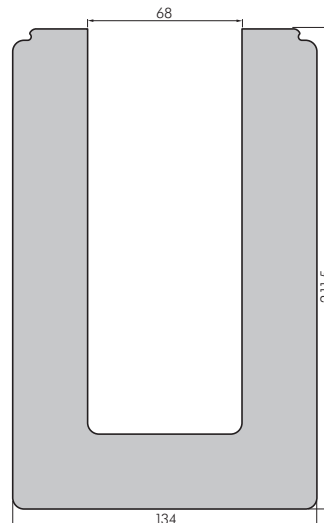
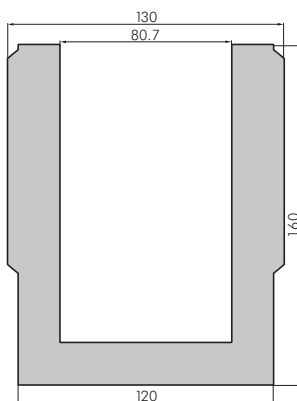
Linear Actuator System 16



→ F-17 – F-22	Technical Data	Track Profile 16 80 x 120	Track Profile 16 80 x 120 8N	Carriage Profile 200 x 78 superlight
	$I_x$ [cm <sup>4</sup> ]	571.80	570.07	196.82
	$I_y$ [cm <sup>4</sup> ]	303.92	311.19	1,589.13
	$W_x$ [cm <sup>3</sup> ]	84.72	88.80	41.35
	$W_y$ [cm <sup>3</sup> ]	57.89	59.27	158.91
	A [cm <sup>2</sup> ]	37.23	40.60	34.02
	G [kg/m]	10.09	11.00	9.22
	part number	SP8900N	SP8950N	SP9250N
	per m charge	SP8901N	SP8951N	SP9251N
	cutting charge	SB1003	SB1003	SB1003

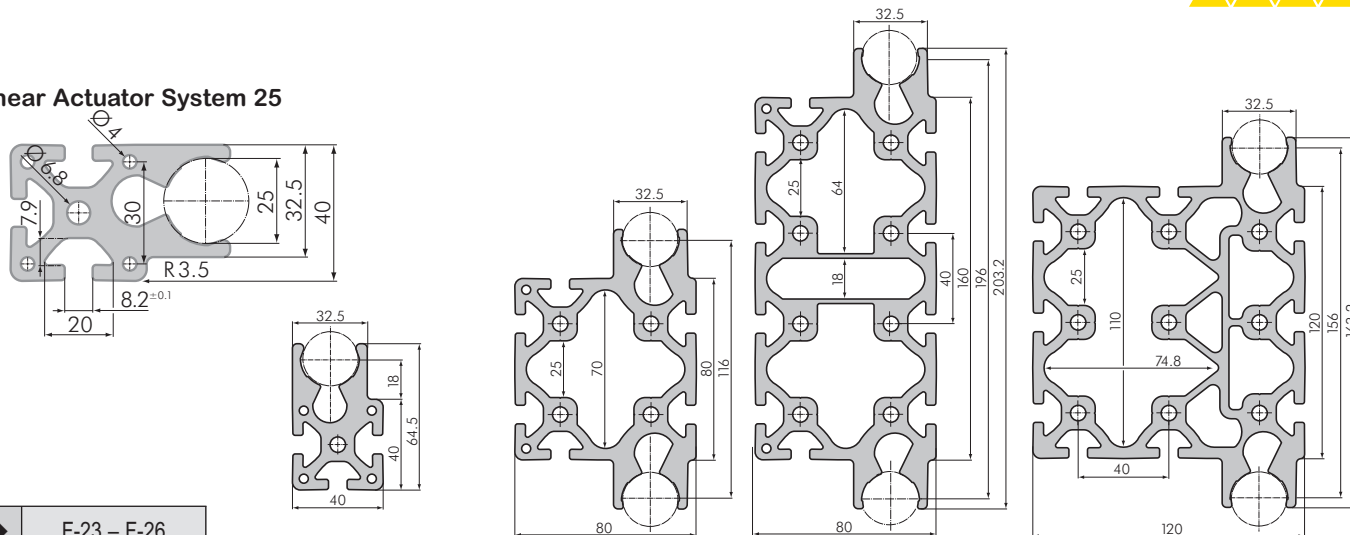
**Linear Actuator System 16**


→	F-17 – F-22		
Technical Data		Carriage Profile 160 x 78	Carriage Profile 200 x 78
	$I_x$ [cm <sup>4</sup> ]	421.38	467.51
	$I_y$ [cm <sup>4</sup> ]	2,232.97	4,177.08
	$W_x$ [cm <sup>3</sup> ]	103.28	108.77
	$W_y$ [cm <sup>3</sup> ]	279.12	417.71
	A [cm <sup>2</sup> ]	82.48	91.44
	G [kg/m]	22.35	24.78
	part number	SP9100N	SP9200N
	per m charge	SP9101N	SP9201N
	cutting charge	SB1003	SB1003

**Gearbox Profiles**


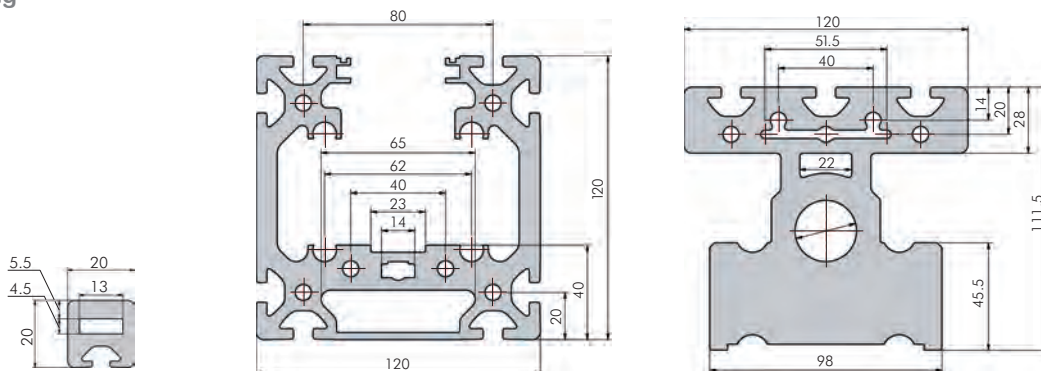
Technical Data	U-Profile Mounting 80	U-Profile Gearbox Housing	Cover Profile Gearbox Housing
$I_x$ [cm <sup>4</sup> ]	2,200.07	6,637.03	0.57
$I_y$ [cm <sup>4</sup> ]	2,084.82	3,733.04	91.82
$W_x$ [cm <sup>3</sup> ]	245.00	559.14	0.49
$W_y$ [cm <sup>3</sup> ]	320.74	557.17	14.81
A [cm <sup>2</sup> ]	89.11	161.12	5.52
G [kg/m]	24.15	43.66	1.50
part number	SP9900N	SP9950N	SP9960N
per m charge	SP9901N	SP9951N	SP9961N
cutting charge	SB1003	SB1003	SB1002
Price and delivery time		on request	on request

**Linear Actuator System 25**

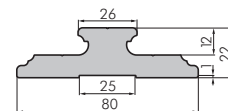
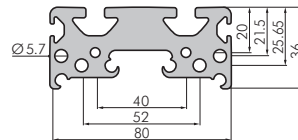


→ F-23 – F-26	Technical Data	Track Profile 25 40 x 40	Track Profile 25 80 x 80	Track Profile 25 80 x 160	Track Profile 25 120 x 120
	$I_x$ [cm <sup>4</sup> ]	35.08	201.23	368.46	1,104.09
	$I_y$ [cm <sup>4</sup> ]	18.74	318.71	1,611.19	873.48
	$W_x$ [cm <sup>3</sup> ]	9.68	45.65	86.49	130.66
	$W_y$ [cm <sup>3</sup> ]	9.09	51.74	158.43	129.12
	A [cm <sup>2</sup> ]	12.23	30.61	50.98	56.96
	G [kg/m]	3.31	8.30	13.82	15.44
	part number	SP0850N	SP0910N	SP0920N	SP0900N
	per m charge	SP0851N	SP0911N	SP0921N	SP0901N
	cutting charge	SB1001	SB1002	SB1003	SB1003

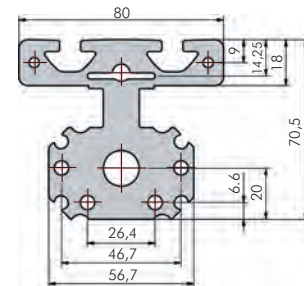
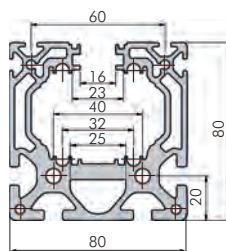
**Internal Drive System  
With Ball Slide Mounting**



→ F-34	Technical Data	Track Profile 20 x 20	Track Profile 120 x 120	Carriage Profile 120 x 120
	$I_x$ [cm <sup>4</sup> ]	1	678.84	93.6
	$I_y$ [cm <sup>4</sup> ]	1.18	882.74	679.39
	$W_x$ [cm <sup>3</sup> ]	0.93	101.78	160.24
	$W_y$ [cm <sup>3</sup> ]	1.18	147.12	113.23
	A [cm <sup>2</sup> ]	2.88	48.45	74.87
	G [kg/m]	0.77	13.08	20.21
	part number	SP2300N	SP7620N	SP9550N
	per m charge	SP2301N	SP7621N	SP9551N
	cutting charge	SB1001	SB1003	SB1003

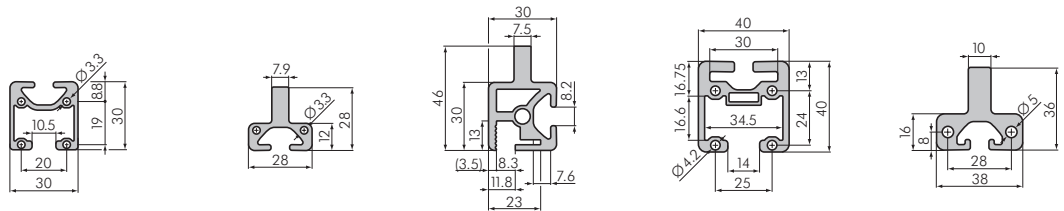
**Recirculating Ball / Glider Slide**


→	F-47		
Technical Data		Roller Bearing Carriage Profile	Guide Rail Profile
	$I_x$ [cm <sup>4</sup> ]	13.30	3.34
	$I_y$ [cm <sup>4</sup> ]	94.34	35.73
	$W_x$ [cm <sup>3</sup> ]	6.49	2.37
	$W_y$ [cm <sup>3</sup> ]	23.58	8.93
	$A$ [cm <sup>2</sup> ]	16.16	9.71
	$G$ [kg/m]	4.38	2.63
	part number	SP9630N	SP9650N
	per m charge	SP9631N	SP9651N
	cutting charge	SB1001	SB1001

**Ball Screw Actuator**


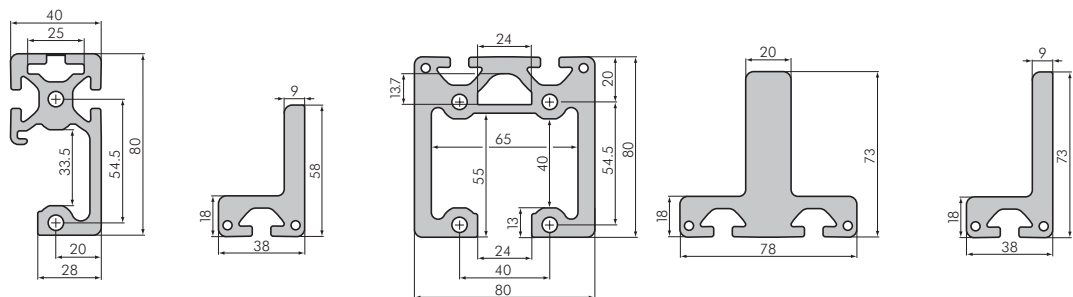
→	F-35		
Technical Data		Track Profile 80 x 100	Carriage Profile 80 x 100
	$I_x$ [cm <sup>4</sup> ]	134.64	131.70
	$I_y$ [cm <sup>4</sup> ]	146.88	94.91
	$W_x$ [cm <sup>3</sup> ]	29.46	36.62
	$W_y$ [cm <sup>3</sup> ]	36.72	23.72
	$A$ [cm <sup>2</sup> ]	20.69	27.61
	$G$ [kg/m]	5.57	7.45
	part number	SP8970N	SP9050N
	per m charge	SP8971N	SP9051N
	cutting charge	SB1002	SB1002

**C-Tracks**



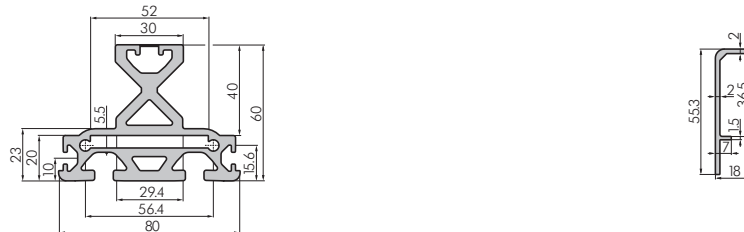
→ F-41 – F-46	Track Profile C 30/43	Double Carriage Profile C 30/43	Clamp Profile 30 (C 30/43)	Track Profile C 40/57	Double Carriage Profile C 40/57
Technical Data					
$I_x$ [cm <sup>4</sup> ]	2.83	1.81	9.00	9.52	5.72
$I_y$ [cm <sup>4</sup> ]	3.75	1.65	3.93	12.73	5.93
$W_x$ [cm <sup>3</sup> ]	1.66	1.13	3.52	4.11	2.65
$W_y$ [cm <sup>3</sup> ]	2.50	1.18	2.60	6.36	3.12
A [cm <sup>2</sup> ]	3.04	2.92	5.50	6.13	5.85
G [kg/m]	0.82	0.79	1.49	1.66	1.59
part number	SP1060N	SP1160N	SP1170N	SP1040N	SP1140N
per m charge	SP1061N	SP1161N	SP1171N	SP1041N	SP1141N
cutting charge	SB1001	SB1001	SB1001	SB1001	SB1001

**C-Tracks**

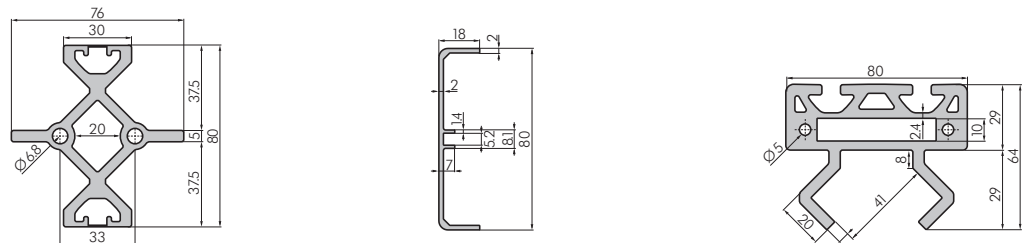


→ F-41 – F-46	Track Profile C 40/100	Single Carriage Profile C 40/100	Track Profile C 80/100	Double Carriage Profile C 80/100	Single Carriage Profile C 80/100
Technical Data					
$I_x$ [cm <sup>4</sup> ]	79.52	22.05	174.65	97.76	44.20
$I_y$ [cm <sup>4</sup> ]	11.04	11.60	213.08	56.49	12.50
$W_x$ [cm <sup>3</sup> ]	17.46	6.09	38.98	21.75	9.77
$W_y$ [cm <sup>3</sup> ]	4.73	4.61	53.27	14.49	4.74
A [cm <sup>2</sup> ]	12.26	8.47	25.38	21.40	9.82
G [kg/m]	3.32	2.29	6.88	5.80	2.66
part number	SP1020N	SP1220N	SP1000N	SP1100N	SP1200N
per m charge	SP1021N	SP1221N	SP1001N	SP1101N	SP1201N
cutting charge	SB1001	SB1001	SB1002	SB1002	SB1001



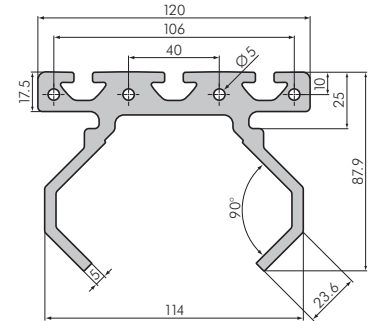
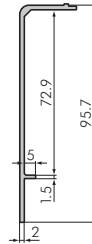
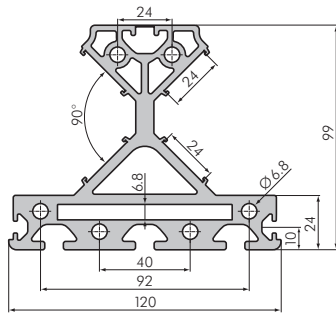
**Internal Drive System 80 / 90**
**Single Guidance**


→	F-41 – F-46		
Technical Data		Track Profile 60 x 80	Cover Profile For Track Profile 60 x 80
$I_x$ [cm <sup>4</sup> ]		41.64	4.81
$I_y$ [cm <sup>4</sup> ]		47.92	0.27
$W_x$ [cm <sup>3</sup> ]		10.98	1.47
$W_y$ [cm <sup>3</sup> ]		11.98	0.18
A [cm <sup>2</sup> ]		13.71	1.51
G [kg/m]		22.20	2.46
part number		SP1400N	SP1480N
per m charge		SP1401N	SP1481N
cutting charge		SB1002	SB1001

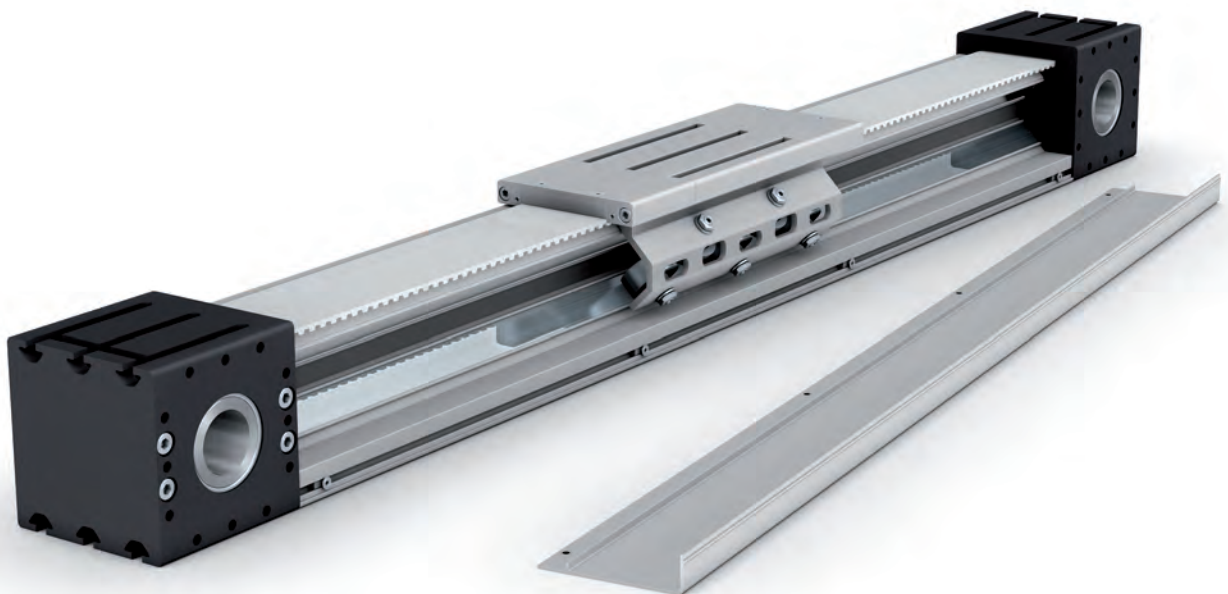
**Internal Drive System 80 / 90**
**Double Guidance**


→	F-41 – F-46			
Technical Data		Double Track Profile 80 x 80	Cover Twin Axle 80	Carriage Profile 80 / 90
$I_x$ [cm <sup>4</sup> ]		60.62	0.51	47.49
$I_y$ [cm <sup>4</sup> ]		25.51	18.30	114.28
$W_x$ [cm <sup>3</sup> ]		15.15	0.36	11.54
$W_y$ [cm <sup>3</sup> ]		6.71	4.57	28.57
A [cm <sup>2</sup> ]		12.13	2.39	17.21
G [kg/m]		9.81	0.65	27.90
part number		SP1410N	SP1470N	SP1450N
per m charge		SP1411N	SP1471N	SP1451N
cutting charge		SB1002	SB1001	SB1002

**Internal Drive System**  
 120 x 120 AT 10 / 75

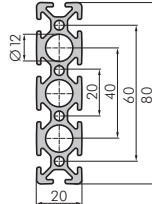
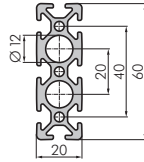
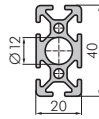
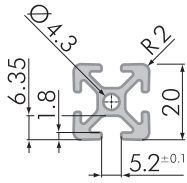


→	F-51, F-52			
	Technical Data	Track Profile 100 x 120	Cover Profile For Track Profile 100 x 120	Carriage Profile 120
	$I_x$ [cm <sup>4</sup> ]	267.57	23.81	140.59
	$I_y$ [cm <sup>4</sup> ]	217.21	0.77	373.86
	$W_x$ [cm <sup>3</sup> ]	41.73	4.26	22.24
	$W_y$ [cm <sup>3</sup> ]	36.20	0.36	62.31
	A [cm <sup>2</sup> ]	27.40	2.46	25.68
	G [kg/m]	7.40	0.66	6.93
	part number	SP1420N	SP1430N	SP1460N
	per m charge	SP1421N	SP1431N	SP1461N
	cutting charge	SB1003	SB1001	SB1003

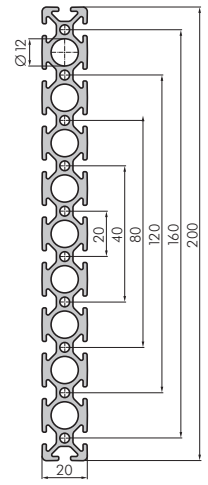
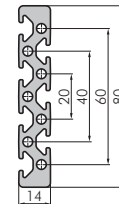
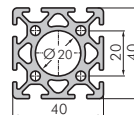
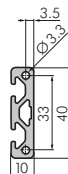
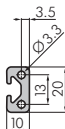
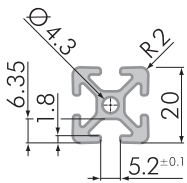






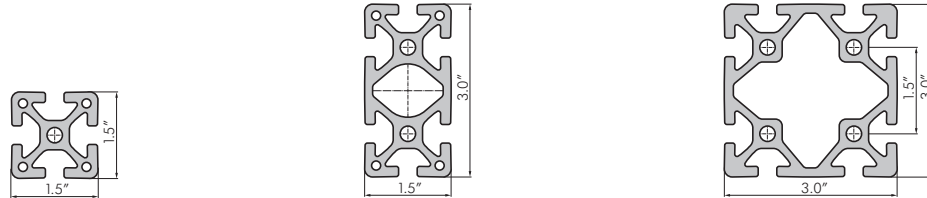
**Profiles 20 mini**


Technical Data	20 x 20 mini	20 x 40 mini	20 x 60 mini	20 x 80 mini	Cover Profile 20 mini	20 x 20 R 90 mini	20 x 20 edge mini	20 x 17,5 mini
$I_x$ [cm <sup>4</sup> ]	0.74	5.10	16.64	38.67	0.00008	0.60	0.50	0.60
$I_y$ [cm <sup>4</sup> ]	0.74	1.48	2.21	2.95	0.00126	0.60	0.50	0.60
$W_x$ [cm <sup>3</sup> ]	0.74	2.55	5.55	9.67	0.00064	0.55	0.43	0.60
$W_y$ [cm <sup>3</sup> ]	0.74	1.48	2.21	2.95	0.00435	0.55	0.43	0.63
A [cm <sup>2</sup> ]	1.82	3.51	5.26	6.99	0.03000	1.76	1.44	1.83
G [kg/m]	0.49	0.95	1.43	1.89	0.01000	0.48	0.39	0.49
part number	SP2000N	SP2200N	SP2210N	SP2220N	SP7920N	SP2070N	SP2080N	SP2150N
per m charge	SP2001N	SP2201N	SP2211N	SP2221N	SP7921N	SP2071N	SP2081N	SP2151N
part number (black)		SP2200S			SP7920S			
per m charge (black)		SP2201S			SP7921S			
cutting charge	SB1001	SB1001	SB1001	SB1001	SB1001	SB1001	SB1001	SB1001

**Profiles 20 mini**


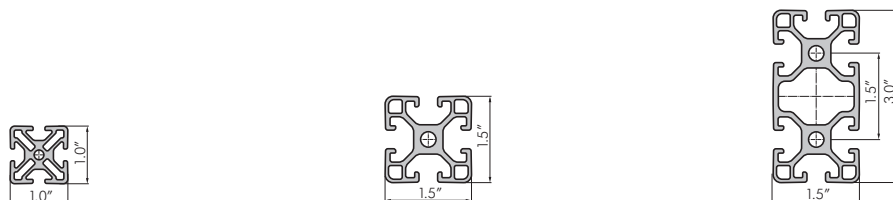
Technical Data	10 x 20 mini	10 x 40 mini	40 x 40 mini	14 x 80 mini	20 x 200 mini
$I_x$ [cm <sup>4</sup> ]	0.53	3.63	10.35	40.80	582.92
$I_y$ [cm <sup>4</sup> ]	0.12	0.24	10.35	1.09	7.31
$W_x$ [cm <sup>3</sup> ]	0.53	1.81	5.18	10.20	58.29
$W_y$ [cm <sup>3</sup> ]	0.22	0.44	5.18	1.52	7.31
A [cm <sup>2</sup> ]	1.29	2.36	6.69	6.63	17.28
G [kg/m]	0.35	0.64	1.81	1.80	4.68
part number	SP2120N	SP2140N	SP2400N	SP2280N	SP2390N
per m charge	SP2121N	SP2141N	SP2401N	SP2281N	SP2391N
cutting charge	SB1001	SB1001	SB1001	SB1001	SB1002

**Inch Profiles ( Only in USA )**



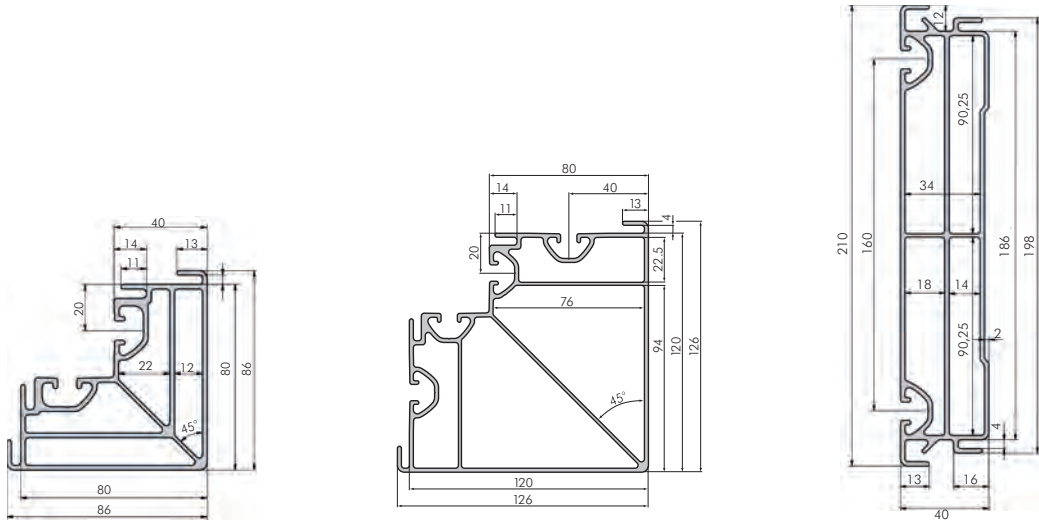
Technical Data	1.5" x 1.5"	1.5" x 3.0"	3.0" x 3.0"
$I_x$ [cm <sup>4</sup> ]	10.16	71.64	135.02
$I_y$ [cm <sup>4</sup> ]	10.16	19.55	135.02
$W_x$ [cm <sup>3</sup> ]	5.33	18.80	35.44
$W_y$ [cm <sup>3</sup> ]	5.33	10.26	35.44
$A$ [cm <sup>2</sup> ]	7.03	12.84	20.07
$G$ [kg/m]	1.90	3.47	5.42
part number	SP9800N	SP9810N	SP9820N
per m charge	SP9801N	SP9811N	SP9821N
cutting charge	SB1001	SB1001	SB1002

**Inch Profiles ( Only in USA )**



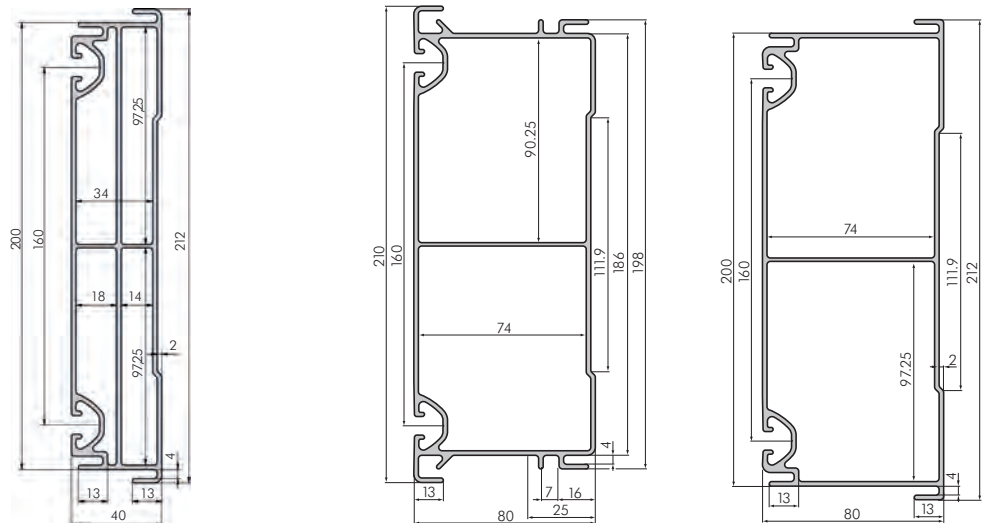
Technical Data	1.0" x 1.0" light	1.5" x 1.5" light	1.5" x 3.0" light
$I_x$ [cm <sup>4</sup> ]	1.70	6.72	49.78
$I_y$ [cm <sup>4</sup> ]	1.70	6.72	13.29
$W_x$ [cm <sup>3</sup> ]	1.34	3.53	13.07
$W_y$ [cm <sup>3</sup> ]	1.34	3.53	6.98
$A$ [cm <sup>2</sup> ]	2.84	5.00	9.08
$G$ [kg/m]	0.77	1.35	2.45
part number	SP9890N	SP9850N	SP9860N
per m charge	SP9891N	SP9851N	SP9861N
cutting charge	SB1001	SB1001	SB1001

Wall Profiles

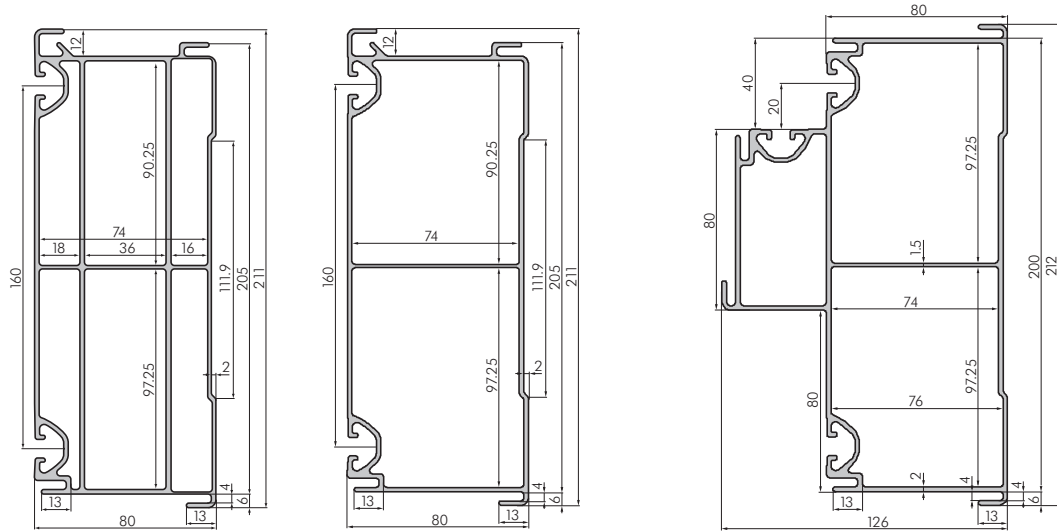


→ I-4	80 edge	120 edge	200 / 40 M
Technical Data			
$I_x$ [cm <sup>4</sup> ]	51.83	290.53	31.22
$I_y$ [cm <sup>4</sup> ]	114.23	290.54	704.29
$W_x$ [cm <sup>3</sup> ]	10.20	44.44	14.55
$W_y$ [cm <sup>3</sup> ]	22.49	44.44	67.07
A [cm <sup>2</sup> ]	12.16	16.80	16.27
G [kg/m]	3.28	4.54	4.39
part number	SX3100N	SX3000N	SX1100N
per m charge	SX3101N	SX3001N	SX1101N
cutting charge	SB1002	SB1003	SB1003

Wall Profiles

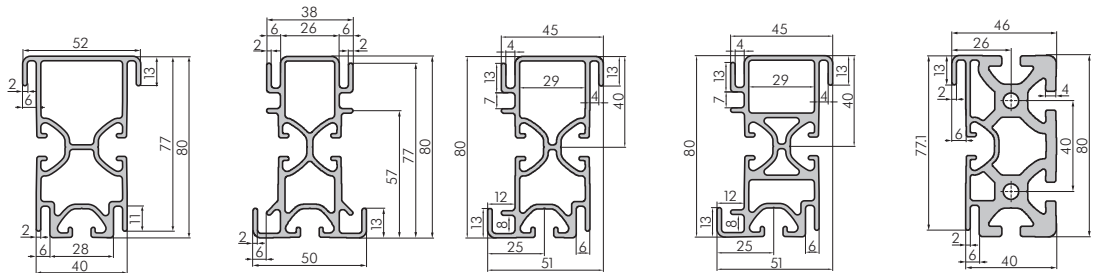


→ I-4	200 / 40 V	200M	200V
Technical Data			
$I_x$ [cm <sup>4</sup> ]	30.09	954.96	969.72
$I_y$ [cm <sup>4</sup> ]	734.81	171.00	172.08
$W_x$ [cm <sup>3</sup> ]	14.76	90.95	91.48
$W_y$ [cm <sup>3</sup> ]	69.32	39.57	41.21
A [cm <sup>2</sup> ]	16.72	18.74	18.32
G [kg/m]	4.39	5.06	4.96
part number	SX2100N	SX1000N	SX2000N
per m charge	SX2101N	SX1001N	SX2001N
cutting charge	SB1003	SB1003	SB1003



→ I-4	200MV focus	200MV	200V-T
Technical Data			
$I_x$ [cm <sup>4</sup> ]	979.94	738.75	827.04
$I_y$ [cm <sup>4</sup> ]	186.58	157.50	318.39
$W_x$ [cm <sup>3</sup> ]	92.05	70.02	74.31
$W_y$ [cm <sup>3</sup> ]	44.23	36.60	46.45
A [cm <sup>2</sup> ]	22.34	14.61	19.12
G [kg/m]	6.03	3.95	5.16
part number	SX1400N	SX2400N	SX3200N
per m charge	SX1401N	SX2401N	SX3201N
cutting charge	SB1003	SB1003	SB1003

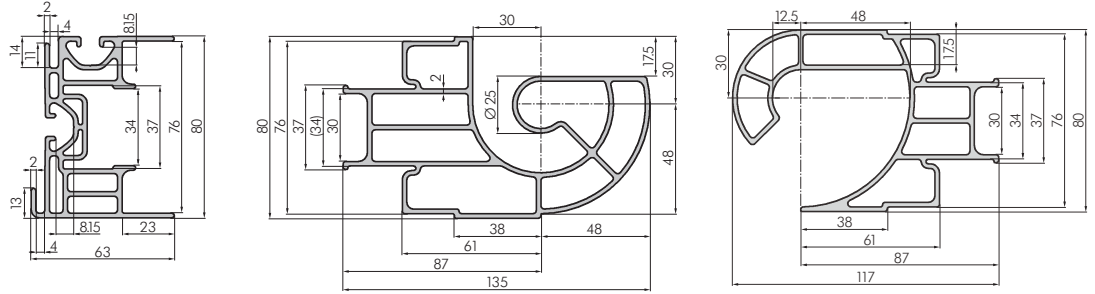
**Compensating Wall Profiles**



→ I-4	40V	40M	40MV	40MV focus	40V-8
Technical Data					
$I_x$ [cm <sup>4</sup> ]	55.68	54.67	54.91	57.42	94.70
$I_y$ [cm <sup>4</sup> ]	19.02	13.68	15.64	16.62	23.94
$W_x$ [cm <sup>3</sup> ]	21.41	21.87	20.67	23.75	35.33
$W_y$ [cm <sup>3</sup> ]	4.64	3.07	3.68	6.19	5.91
A [cm <sup>2</sup> ]	7.98	8.28	7.97	9.31	14.82
G [kg/m]	2.16	2.24	2.16	2.51	3.98
part number	SX1500N	SX2500N	SX2600N	SX2700N	SX1600N
per m charge	SX1501N	SX2501N	SX2601N	SX2701N	SX1601N
cutting charge	SB1001	SB1001	SB1001	SB1001	SB1001

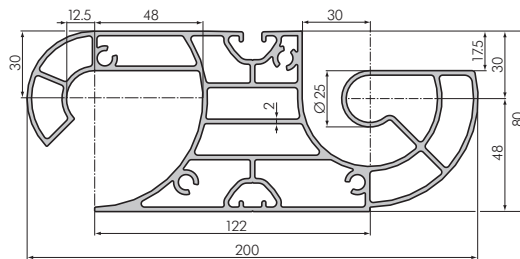


Supple Connection Profiles



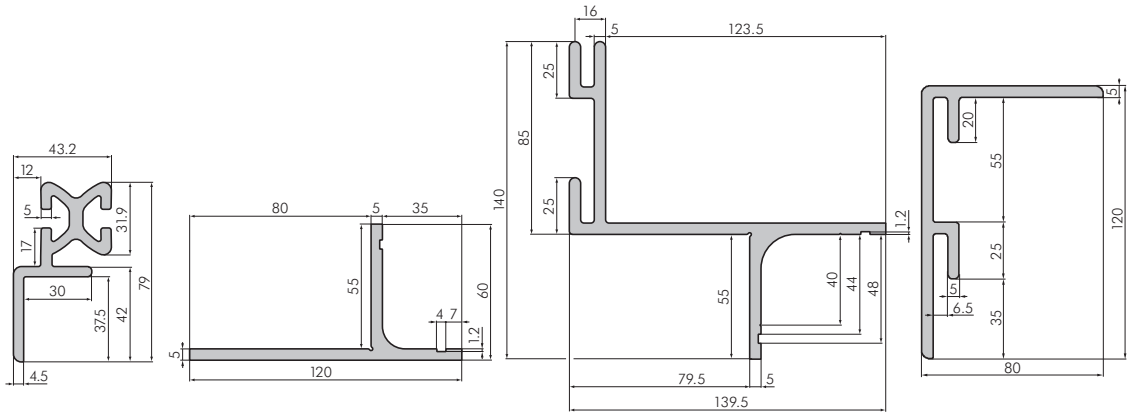
→ I-5	Supple Connection		
Technical Data	Supple Connection	Supple Outside	Supple Inside
$I_x$ [cm <sup>4</sup> ]	74.46	67.07	77.50
$I_y$ [cm <sup>4</sup> ]	20.38	206.45	128.83
$W_x$ [cm <sup>3</sup> ]	18.98	15.54	17.48
$W_y$ [cm <sup>3</sup> ]	5.19	30.21	20.95
A [cm <sup>2</sup> ]	10.08	14.31	12.18
G [kg/m]	2.72	3.86	3.29
part number	SX3300N	SX3310N	SX3320N
per m charge	SX3301N	SX3311N	SX3321N
cutting charge	SB1002	SB1003	SB1003

Supple Connection Profiles



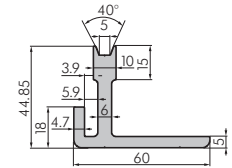
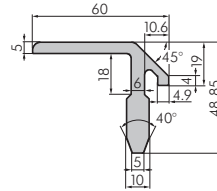
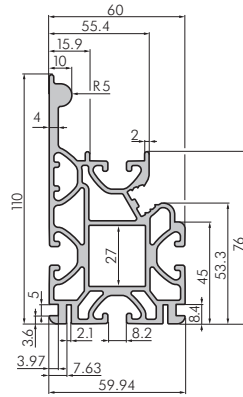
→ I-5	Supple Joint	
Technical Data	Supple Joint	
$I_x$ [cm <sup>4</sup> ]	156.58	
$I_y$ [cm <sup>4</sup> ]	670.58	
$W_x$ [cm <sup>3</sup> ]	39.05	
$W_y$ [cm <sup>3</sup> ]	66.20	
A [cm <sup>2</sup> ]	23.76	
G [kg/m]	6.42	
part number	SX3400N	
per m charge	SX3401N	
cutting charge	SB1003	

**Frame Profiles**



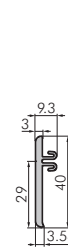
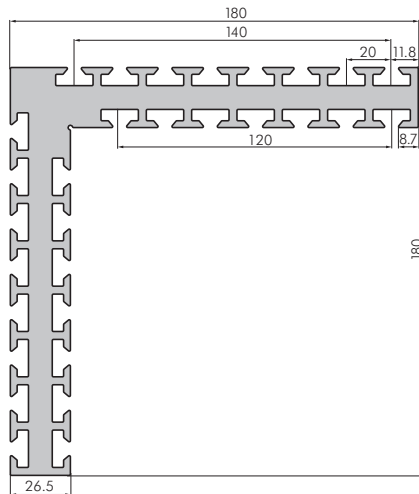
→	I-4				
	Technical Data	Cable Entrance Profile	Floor Angle Profile	Ceiling Angle Profile	Ceiling Blend Profile
	$I_x$ [cm <sup>4</sup> ]	32.76	23.30	171.34	168.04
	$I_y$ [cm <sup>4</sup> ]	14.28	81.37	279.32	54.05
	$W_x$ [cm <sup>3</sup> ]	6.60	3.47	18.83	26.61
	$W_y$ [cm <sup>3</sup> ]	6.27	16.83	39.69	6.76
	A [cm <sup>2</sup> ]	8.47	8.85	16.58	12.22
	G [kg/m]	2.29	2.39	4.48	3.30
	part number	SX4000N	SX9000N	SX9500N	SX9600N
	per m charge	SX4001N	SX9001N	SX9501N	SX9601N
	cutting charge	SB1001	SB1003	SB1003	SB1003

**Maintenance Door Profiles**



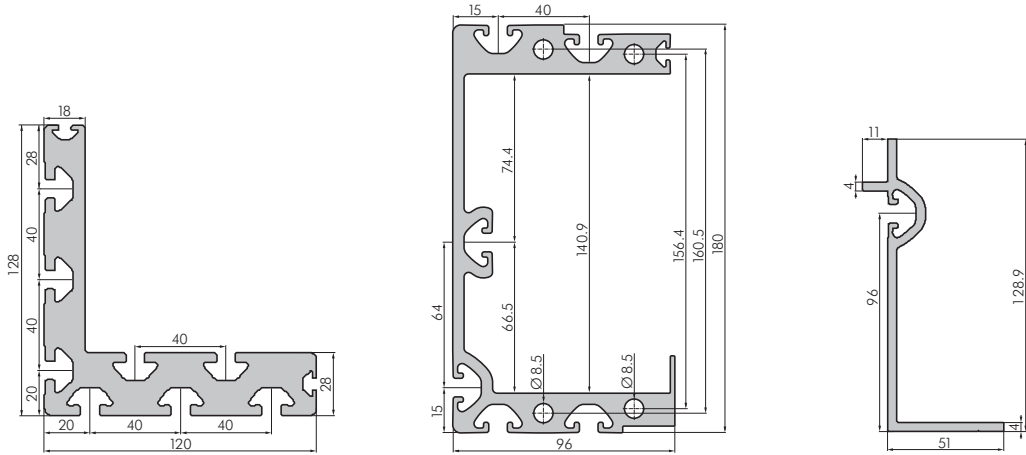
→ I-11	Door Profile 110 x 60	Door Angle Profile Internal	Door Angle Profile External
Technical Data			
$I_x$ [cm <sup>4</sup> ]	129.87	13.32	14.69
$I_y$ [cm <sup>4</sup> ]	55.62	14.68	11.30
$W_x$ [cm <sup>3</sup> ]	18.77	3.41	3.69
$W_y$ [cm <sup>3</sup> ]	15.93	4.69	3.61
A [cm <sup>2</sup> ]	14.97	6.45	6.31
G [kg/m]	4.06	1.74	1.70
part number	SX6110N	SX6100N	SX6000N
per m charge	SX6111N	SX6101N	SX6001N
cutting charge	SB1003	SB1001	SB1001

**Maintenance Door Profiles**



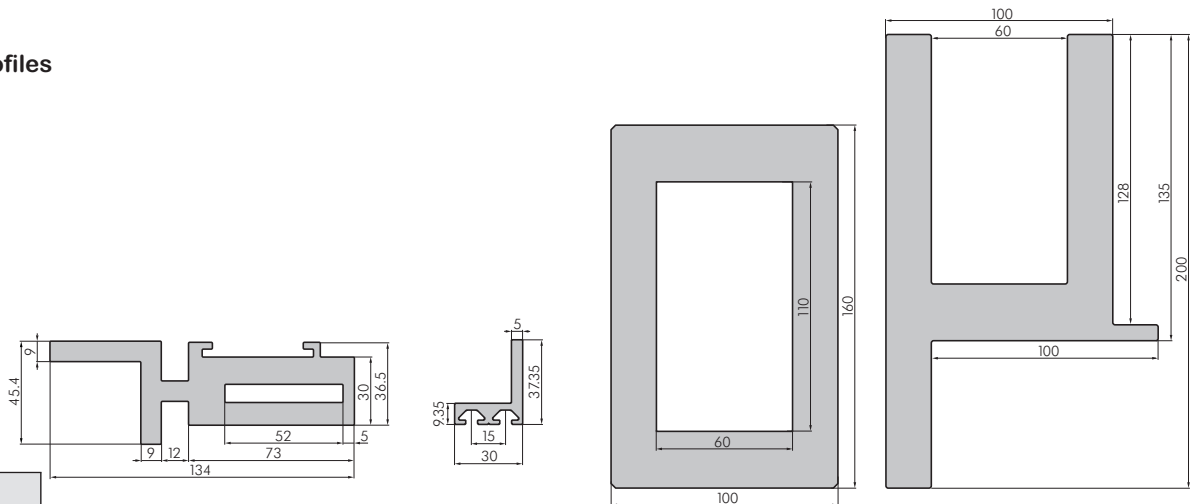
→ I-11	Corner Joining Profile	Door Blend Profile 40	Door Blend Profile 82
Technical Data			
$I_x$ [cm <sup>4</sup> ]	1,642.63	1.69	17.51
$I_y$ [cm <sup>4</sup> ]	1,642.63	0.07	0.13
$W_x$ [cm <sup>3</sup> ]	129.29	0.79	4.27
$W_y$ [cm <sup>3</sup> ]	129.29	0.09	0.19
A [cm <sup>2</sup> ]	56.76	1.41	2.89
G [kg/m]	15.33	0.38	0.78
part number	SX9900N	SX5000N	SX5100N
per m charge	SX9901N	SX5001N	SX5101N
cutting charge	SB1003	SB1001	SB1001
Price and delivery time			on request

**Shutter Door Profiles**



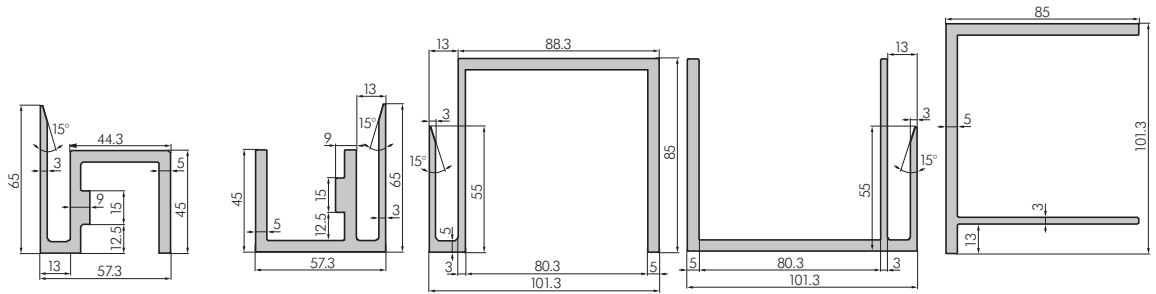
→	I-6	Angle 120 x 128 (for bearings)	Shutter Door Guidance 1	Shutter Door Guidance 2
	Technical Data			
	$I_x$ [cm <sup>4</sup> ]	475.63	1,689.97	158.13
	$I_y$ [cm <sup>4</sup> ]	519.63	336.44	13.38
	$W_x$ [cm <sup>3</sup> ]	52.63	183.06	21.83
	$W_y$ [cm <sup>3</sup> ]	66.95	54.39	3.71
	A [cm <sup>2</sup> ]	37.42	34.48	8.44
	G [kg/m]	10.10	9.31	2.28
	part number	SX7500N	SX8600N	SX7700N
	per m charge	SX7501N	SX8601N	SX7701N
	cutting charge	SB1003	SB1003	SB1003

**Shutter Door Profiles**



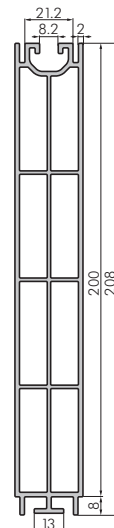
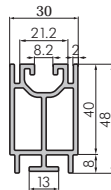
→	I-6	Linear Actuator	Angle 30 x 37 (Shell)	Return Unit Lower Part	Return Unit Upper Part
	Technical Data				
	$I_x$ [cm <sup>4</sup> ]	35.21	3.58	2,742.80	2,095.57
	$I_y$ [cm <sup>4</sup> ]	327.99	2.74	1,133.39	1,167.08
	$W_x$ [cm <sup>3</sup> ]	13.37	1.48	342.85	197.81
	$W_y$ [cm <sup>3</sup> ]	42.89	1.34	226.68	155.14
	A [cm <sup>2</sup> ]	27.36	3.21	93.92	83.39
	G [kg/m]	7.39	0.87	25.36	22.52
	part number	SX8500N	SX7600N	SP9970N	SP9980N
	per m charge	SX8501N	SX7601N	SP9971N	SP9981N
	cutting charge	SB1002	SB1001	SB1003	SB1003

### Shutter Door Profiles



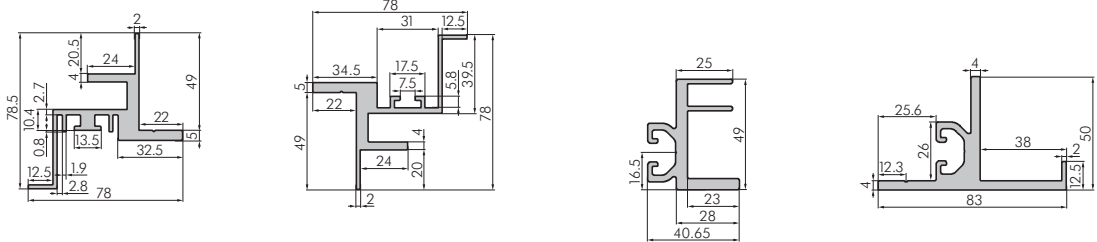
→ I-6					
Technical Data	Shutter Door Cover Lower Shell	Shutter Door Cover Upper Shell	Shutter Door Cover Wall Bottom	Shutter Door Cover Wall Top	Shutter Door Cover
$I_x$ [cm <sup>4</sup> ]	22.60	23.50	110.80	88.12	157.69
$I_y$ [cm <sup>4</sup> ]	37.55	37.55	202.97	201.03	85.29
$W_x$ [cm <sup>3</sup> ]	5.91	5.18	21.54	15.07	26.33
$W_y$ [cm <sup>3</sup> ]	11.92	11.92	38.20	37.63	14.50
A [cm <sup>2</sup> ]	9.20	9.20	12.97	12.89	11.46
G [kg/m]	2.48	2.48	3.50	3.48	3.09
part number	SX7180N	SX7190N	SX7250N	SX7260N	SX7200N
per m charge	SX7181N	SX7191N	SX7251N	SX7261N	SX7201N
cutting charge	SB1001	SB1001	SB1002	SB1002	SB1002

### Process Door Profiles



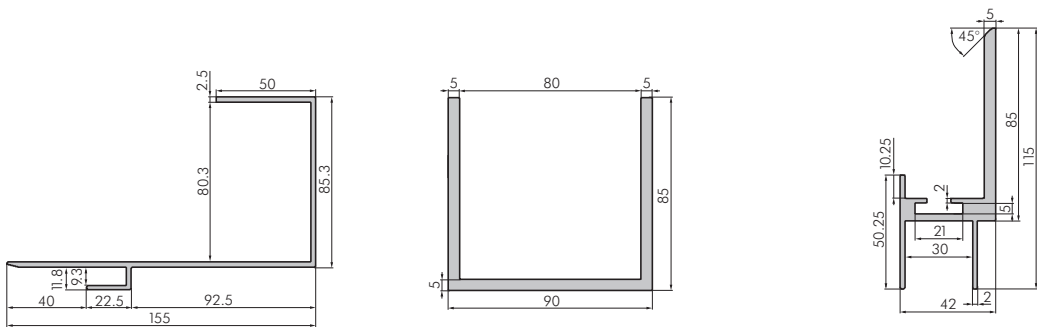
→ I-6 - I-14		
Technical Data	Process Door Profile 40	Process Door Profile 200
$I_x$ [cm <sup>4</sup> ]	10.40	591.06
$I_y$ [cm <sup>4</sup> ]	4.66	17.90
$W_x$ [cm <sup>3</sup> ]	4.19	55.94
$W_y$ [cm <sup>3</sup> ]	3.11	11.93
A [cm <sup>2</sup> ]	4.49	14.28
G [kg/m]	1.21	3.86
part number	SX7010N	SX7000N
per m charge	SX7011N	SX7001N
cutting charge	SB1001	SB1003

**Sliding Process Door Profiles**



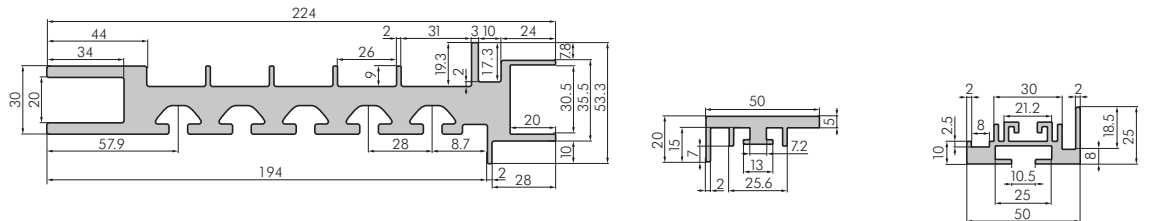
→ I-13	Technical Data	Sliding Process Door Top	Sliding Process Door Bottom	Sliding Process Door Side	Sliding Process Door Side Fixed
	$I_x$ [cm <sup>4</sup> ]	17.52	17.38	14.29	12.48
	$I_y$ [cm <sup>4</sup> ]	24.53	23.03	5.21	23.35
	$W_x$ [cm <sup>3</sup> ]	4.19	4.21	5.05	3.29
	$W_y$ [cm <sup>3</sup> ]	5.78	5.28	2.27	5.55
	A [cm <sup>2</sup> ]	7.90	7.26	5.62	7.20
	G [kg/m]	2.13	1.96	1.52	1.94
	part number	SX7130N	SX7140N	SX7150N	SX7120N
	per m charge	SX7131N	SX7141N	SX7151N	SX7121N
	cutting charge	SB1001	SB1001	SB1001	SB1001

**Sliding Process Door Profiles**



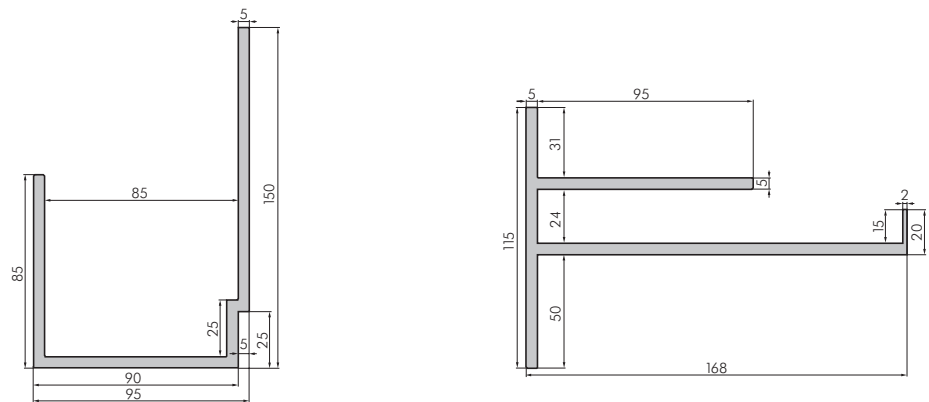
→ I-13	Technical Data	Sliding Process Door Enclosure Profile Side	Sliding Process Door Cover Profile Top	Sliding Process Door Cover Profile Middle
	$I_x$ [cm <sup>4</sup> ]	89.66	94.71	66.15
	$I_y$ [cm <sup>4</sup> ]	177.05	175.00	17.20
	$W_x$ [cm <sup>3</sup> ]	14.74	17.12	10.39
	$W_y$ [cm <sup>3</sup> ]	17.00	38.89	5.93
	A [cm <sup>2</sup> ]	7.76	12.50	8.03
	G [kg/m]	2.10	3.38	2.17
	part number	SX7160N	SX7170N	SX7110N
	per m charge	SX7161N	SX7171N	SX7111N
	cutting charge	SB1003	SB1002	SB1002

### Vertical Lift Door Profiles



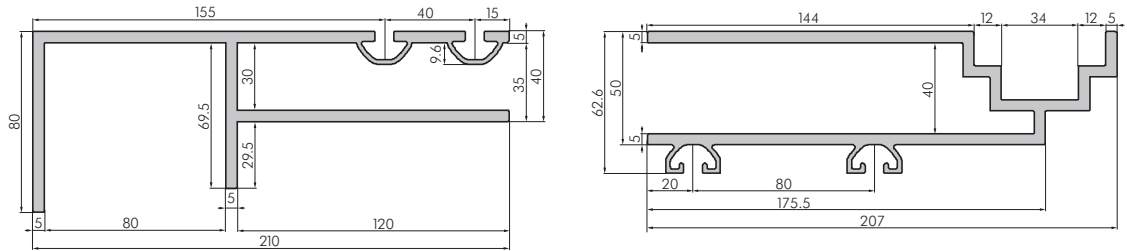
Technical Data	Vertical Lift Door Carriage Profile	Vertical Lift Door Top	Vertical Lift Door Bottom
$I_x$ [cm <sup>4</sup> ]	26.05	0.63	1.38
$I_y$ [cm <sup>4</sup> ]	1,309.25	7.24	10.62
$W_x$ [cm <sup>3</sup> ]	9.57	0.42	0.81
$W_y$ [cm <sup>3</sup> ]	115.18	2.64	3.92
$A$ [cm <sup>2</sup> ]	34.83	3.76	4.11
$G$ [kg/m]	9.40	1.02	1.02
part number	SX8200N	SX8130N	SX8140N
per m charge	SX8201N	SX8131N	SX8141N
cutting charge	SB1003	SB1001	SB1001
Price and delivery time	on request	on request	on request

### Vertical Lift Door Profiles



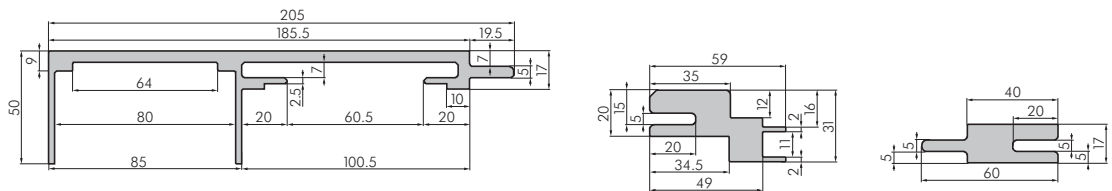
Technical Data	Vertical Lift Door Enclosure Profile Top	Vertical Lift Door Seal Profile Top
$I_x$ [cm <sup>4</sup> ]	305.95	90.15
$I_y$ [cm <sup>4</sup> ]	246.16	493.12
$W_x$ [cm <sup>3</sup> ]	29.85	14.74
$W_y$ [cm <sup>3</sup> ]	43.76	43.16
$A$ [cm <sup>2</sup> ]	16.00	18.95
$G$ [kg/m]	4.32	5.12
part number	SX8170N	SX8370N
per m charge	SX8171N	SX8371N
cutting charge	SB1002	SB1003
Price and delivery time	on request	on request

**Vertical Lift Door Profiles**



Technical Data	Vertical Lift Door Enclosure Profile Bottom	Vertical Lift Door Seal Profile Bottom
$I_x$ [cm <sup>4</sup> ]	104.65	105.52
$I_y$ [cm <sup>4</sup> ]	989.45	873.73
$W_x$ [cm <sup>3</sup> ]	18.29	31.02
$W_y$ [cm <sup>3</sup> ]	88.87	83.68
A [cm <sup>2</sup> ]	23.76	24.53
G [kg/m]	6.42	6.62
part number	SX8150N	SX8360N
per m charge	SX8151N	SX8361N
cutting charge	SB1003	SB1003
Price and delivery time	on request	on request

**Vertical Lift Door Profiles**



Technical Data	Vertical Lift Door Enclosure Profile Side	Brush Cavity Profile	Brush Cavity Extension Profile
$I_x$ [cm <sup>4</sup> ]	15.96	6.22	1.38
$I_y$ [cm <sup>4</sup> ]	568.63	19.19	10.62
$W_x$ [cm <sup>3</sup> ]	3.82	3.62	0.81
$W_y$ [cm <sup>3</sup> ]	115.18	6.06	3.92
A [cm <sup>2</sup> ]	34.83	9.06	4.11
G [kg/m]	9.40	2.45	1.02
part number	SX8160N	SX8400N	SX8410N
per m charge	SX8161N	SX8401N	SX8411N
cutting charge	SB1003	SB1001	SB1001
Price and delivery time	on request	on request	on request

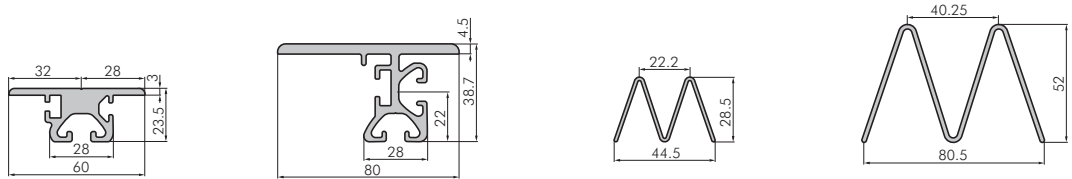


**Vertical Lift Door Profiles**



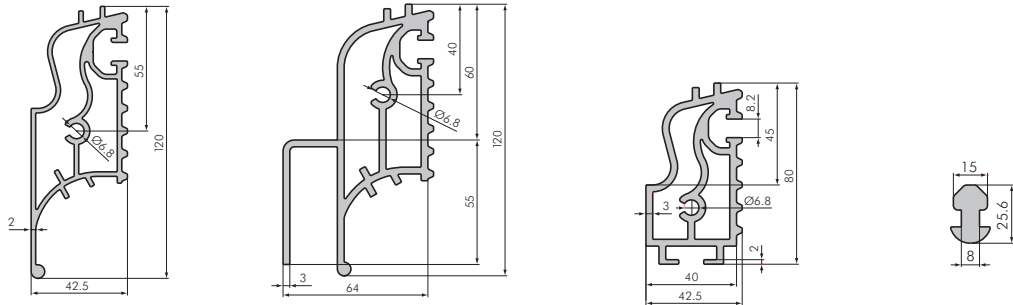
Technical Data	Shutter Door Enclosure Profile	Shutter Door Security Profile
$I_x$ [cm <sup>4</sup> ]	2.45	14.32
$I_y$ [cm <sup>4</sup> ]	7.43	23.79
$W_x$ [cm <sup>3</sup> ]	1.60	4.89
$W_y$ [cm <sup>3</sup> ]	2.41	5.11
A [cm <sup>2</sup> ]	4.80	7.20
G [kg/m]	1.30	1.94
part number	SX8180N	SX8190N
per m charge	SX8181N	SX8191N
cutting charge	SB1002	SB1001

**Exhaust Vent Profiles**



→	I-16	Exhaust Vent Frame Profile 60	Exhaust Vent Frame Profile 80	Exhaust Vent Fin Profile 40	Exhaust Vent Fin Profile 80
Technical Data					
$I_x$ [cm <sup>4</sup> ]		2.45	14.32	1.20	10.15
$I_y$ [cm <sup>4</sup> ]		7.43	23.79	2.95	24.06
$W_x$ [cm <sup>3</sup> ]		1.60	4.89	0.84	3.88
$W_y$ [cm <sup>3</sup> ]		2.41	5.11	1.33	5.98
A [cm <sup>2</sup> ]		4.80	7.20	1.80	4.43
G [kg/m]		1.30	1.94	0.49	1.20
part number		SX4100N	SX4200N	SX4500N	SX4600N
per m charge		SX4101N	SX4201N	SX4501N	SX4601N
cutting charge		SB1001	SB1001	SB1001	SB1001

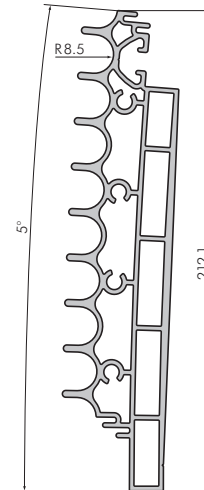
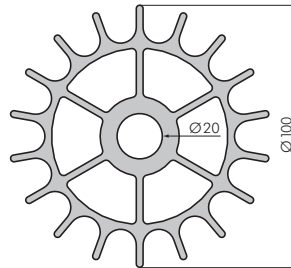
**Segment Door Profiles**



→ I-8	Technical Data	Segment Door Profile 120 x 42.5	Segment Door Profile 120 x 66.5	Segment Door Profile 80 x 42.5	Timing Belt Clamp Profile
	$I_x$ [cm <sup>4</sup> ]	87.20	139.52	57.01	1.51
	$I_y$ [cm <sup>4</sup> ]	17.90	54.99	15.52	0.41
	$W_x$ [cm <sup>3</sup> ]	12.32	21.03	13.96	1.18
	$W_y$ [cm <sup>3</sup> ]	8.29	14.37	6.55	0.48
	A [cm <sup>2</sup> ]	9.20	14.47	10.45	2.92
	G [kg/m]	2.48	3.91	2.82	0.79
	part number	SX7800N	SX7810N	SX7820N	SX7830N
	per m charge	SX7801N	SX7811N	SX7821N	SX7831N
	cutting charge	SB1002	SB1002	SB1001	SB1001
	Price and delivery time	on request	on request	on request	on request

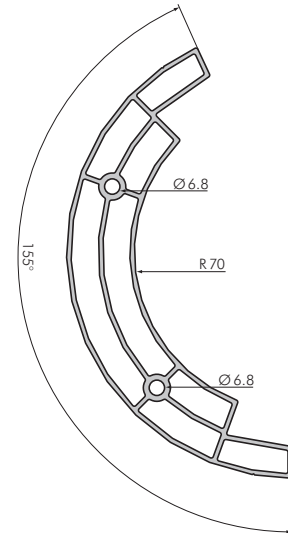
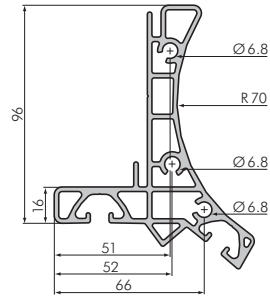


Rotary Process Door



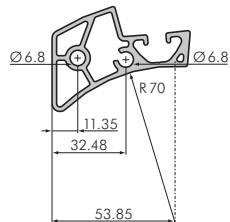
Technical Data	Rotary Table Star Profile Ø 116	Rotary Table Profile Ø 4700
$I_x$ [cm <sup>4</sup> ]	217.73	681.68
$I_y$ [cm <sup>4</sup> ]	217.73	32.48
$W_x$ [cm <sup>3</sup> ]	37.54	61.65
$W_y$ [cm <sup>3</sup> ]	38.10	11.82
A [cm <sup>2</sup> ]	29.32	20.16
G [kg/m]	7.92	5.44
part number	SX7450N	SX7350N
per m charge	SX7451N	SX7351N
cutting charge	SB1001	SB1001
Price and delivery time	on request	on request

**Rotary Process Door**



Technical Data	Pillar Profile, Segment 1	Pillar Profile, Segment 2
$I_x$ [cm <sup>4</sup> ]	122.89	501.22
$I_y$ [cm <sup>4</sup> ]	45.20	88.95
$W_x$ [cm <sup>3</sup> ]	18.09	48.16
$W_y$ [cm <sup>3</sup> ]	9.51	14.33
A [cm <sup>2</sup> ]	11.90	15.87
G [kg/m]	3.21	4.28
part number	SX7900N	SX7910N
per m charge	SX7901N	SX7911N
cutting charge	SB1003	SB1003
Price and delivery time	on request	on request

**Rotary Process Door**



Technical Data	Pillar Profile, Segment 3
$I_x$ [cm <sup>4</sup> ]	5.86
$I_y$ [cm <sup>4</sup> ]	19.53
$W_x$ [cm <sup>3</sup> ]	2.37
$W_y$ [cm <sup>3</sup> ]	5.61
A [cm <sup>2</sup> ]	5.51
G [kg/m]	1.51
part number	SX7920N
per m charge	SX7921N
cutting charge	SB1001
Price and delivery time	on request

### Extruding Press Profiles

(according to DIN EN 12020 part 2)

alloy: Al Mg Si 0.5 F25  
material-No: 3.3206.72  
condition: hardened off by heat

### Mechanical Data

(values in direction of press)

	Standard Profiles	Precision Profiles
tensile strength Rm:	min. 245 N / mm <sup>2</sup>	min. 350 N / mm <sup>2</sup>
elastic limit Rp 0.2:	min. 195 N / mm <sup>2</sup>	min. 290 N / mm <sup>2</sup>
ductile yield:	min 10 %	min 10 %
modulus of elasticity:	70 kN / mm <sup>2</sup>	70 kN / mm <sup>2</sup>
Brinell hardness:	HB 75	HB 108
thermal expansion 20 - 100°C:	23.4 · 10 <sup>-6</sup> / °C	23.1 · 10 <sup>-6</sup> / °C
density:	2.7 kg / dm <sup>3</sup>	2.77 kg / dm <sup>3</sup>

### Tolerances

Production related deviations in regards to straightness, flatness and twist but also outside and t-slot dimensions are in accordance with the standard DIN EN 12020: 9001 part 2.

### Surface Treatment

anodized to E6 / EV1 (natural) or  
E6 / EV6 (black)  
coating thickness: ca. 15 µm  
coating hardness: 250 - 350 HV  
RAL colors powder coated (on request).

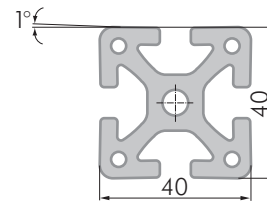
### Supplied Lengths

(according to DIN EN 12020 part 2)

Requirements for exact extrusion lengths should be communicated with your order. Standard 3 m or 6 m length extrusions may be slightly longer due to production related requirements.

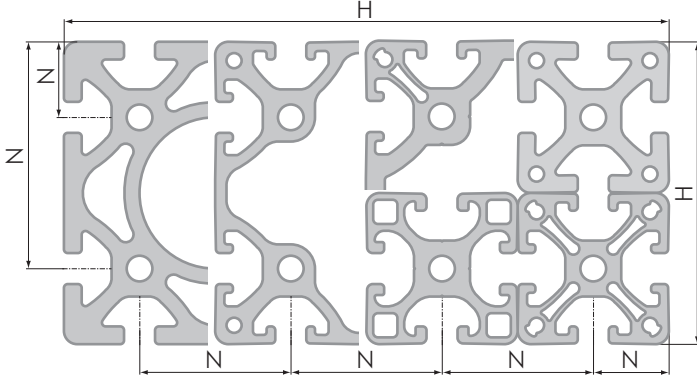
### NV Profile T-Slot

The NV t-slot is not pretensioned. The NV profile range has been designed for use with gauge plates and linear bearings, that require the profile surface to be flat. E.g. Jigs, fixtures and special purpose machines.



*pretensioned 1°      not pretensioned*

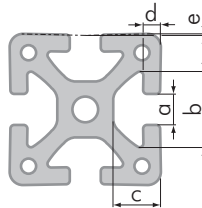
**Tolerances Of External Dimensions And T-Slot Positions**



width H [mm] above	till	tolerances of external dimension H or rather t-slot position $N \pm$ [mm]
0	10	0.10
10	20	0.15
20	40	0.20
40	60	0.30
60	80	0.40
80	100	0.45
100	120	0.50
120	160	0.60
160	240	0.80

**T-Slot Dimension Tolerances**

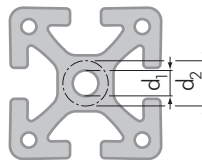
The standard, double bridge, semi, light and superlight series profiles possess a standardised t-slot shape. This guarantees that all fasteners and accessories can be utilised with the different profile series and sizes.



gauge	20	30	40
a	5.20±0.1	8.20±0.1	8.20±0.1
b	11.50+0.3	19.60±0.1	20.00±0.1
c	6.35±0.2	10.10±0.2	12.40±0.2
d	1.80±0.1	2.50±0.1	4.50±0.1
e	0.15±0.1	0.18±0.1	0.20±0.1

**Center Holes**

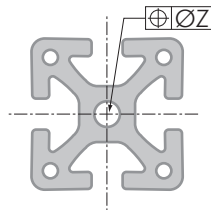
The center hole bore of the profiles can be opened up according to the table. Profiles of the series superlight (40 mm) and midi (30 mm), however, may not be opened up due to the wall section around the center hole.



	20	30	40
drilling $d_1$	Ø 4.3-0.2 mm (M5)	Ø 6.8-0.2 mm (M8)	Ø 6.8-0.2 mm (M8)
drillable up to max. $d_2$	Ø 6 mm (M6)	-	Ø 13 mm (M12) (not for sl)

**Drilling Position Tolerances**

The drilling position tolerance is dependent upon the number of the center hole bores and the contour of the profile.



profiles with open t-slots		profiles with closed t-slots	
number of drillings	Z [mm]	number of drillings	Z [mm]
1	0.4	1	0.6
2 to 4	0.6	> 1	0.8
> 4	0.8		

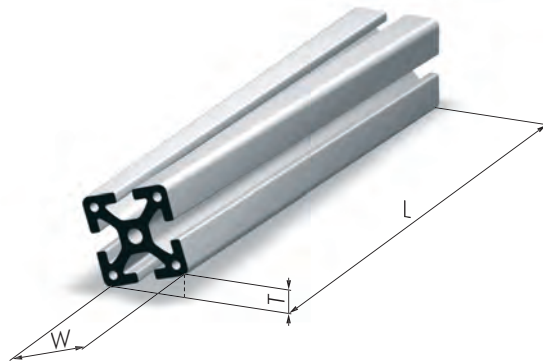
**T-Slot Strength**

Information in regards to the maximum allowable t-slot load capability F. These values already contain a safety factor ( $S > 2$ ) against plastic deformation.



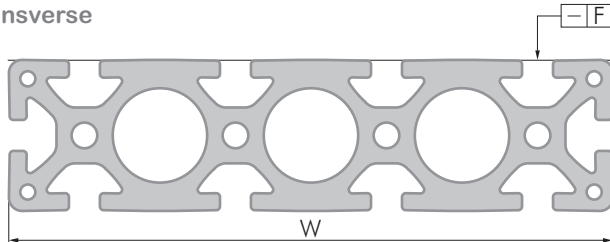
t-slot shape	max. pull charge F	matrix
standard	5000 N	40
double br.	3250 N	40
semi	2500 N	40
light	2000 N	40
superlight	1750 N	40
midi	750 N	30
mini	500 N	20

**Torsion**



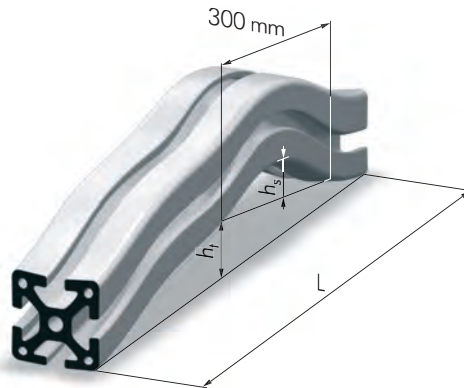
width W [mm] above    till		torsion tolerance T [mm] for nominal length L [mm]					
		till 1000	till 2000	till 3000	till 4000	till 5000	till 6000
-	25	1.0	1.5	1.5	2.0	2.0	2.0
25	50	1.0	1.2	1.5	1.8	2.0	2.0
50	75	1.0	1.2	1.2	1.5	2.0	2.0
75	100	1.0	1.2	1.5	2.0	2.2	2.5
100	125	1.0	1.5	1.8	2.2	2.5	3.0
125	150	1.2	1.5	1.8	2.2	2.5	3.0
150	200	1.5	1.8	2.2	2.6	3.0	3.5
200	300	1.8	2.5	3.0	3.5	4.0	4.5

**Straightness Tolerance  
transverse**



width W [mm] above    till	straightness tolerance F [mm]	
0	30	0.20
30	60	0.30
60	100	0.40
100	150	0.50
150	200	0.70
200	250	0.85

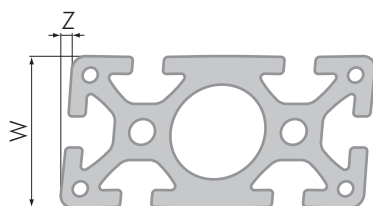
**Straightness Tolerance  
longitudinal**



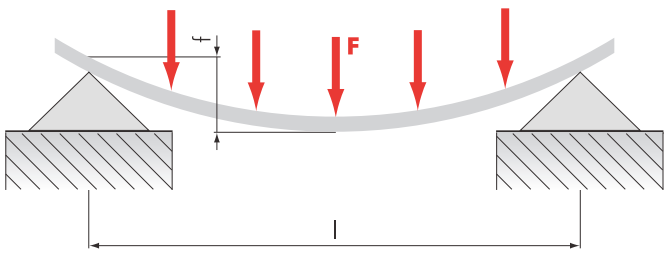
length L [mm]	straightness tolerance h <sub>t</sub> for nominal length L [mm]
till 1000	0.7
till 2000	1.3
till 3000	1.8
till 5000	2.2
till 5000	2.6
till 6000	3.0

The straightness tolerance  $h_t$  is in relation to a corresponding length  $L$  and will not exceed the stated value in the table. The straightness tolerance  $h_s$  will not exceed 0.3 mm per 300 mm in length.

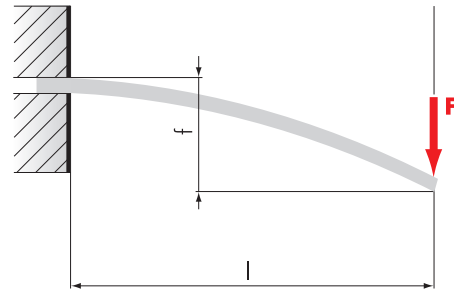
**Angle Tolerance**



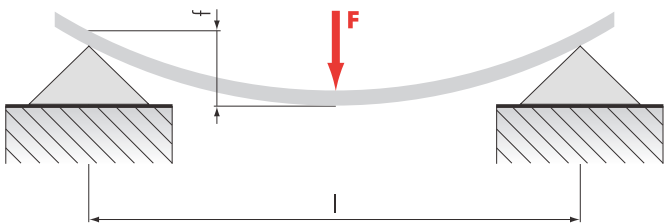
width W [mm] above    till	permissible deflection Z [mm] from a right angle	
0	20	0.2
20	40	0.4
40	80	0.6
80	120	0.8
120	200	1.2
>200		1.5



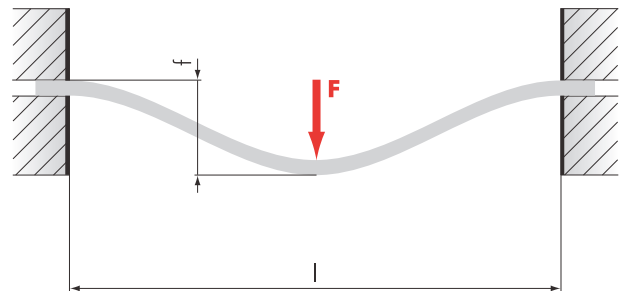
Exposure Case 1 (on two stilts, distributed load)



Exposure Case 2 (fixed one-sided, point load)



Exposure Case 3 (on two stilts, point load)



Exposure Case 4 (fixt two-sided, point load)

To calculate deflection the following calculations are to be used:

Exposure Case 1  

$$f = \frac{5 \cdot F \cdot L^3}{384 \cdot E \cdot I \cdot 10^4}$$

Exposure Case 1  

$$f = \frac{F \cdot L^3}{3 \cdot E \cdot I \cdot 10^4}$$

Exposure Case 3  

$$f = \frac{F \cdot L^3}{48 \cdot E \cdot I \cdot 10^4}$$

Exposure Case 4  

$$f = \frac{F \cdot L^3}{192 \cdot E \cdot I \cdot 10^4}$$

To calculate deflection caused by dead weight the following calculations are to be used:

Exposure Case 3  

$$f = \frac{5 \cdot F \cdot L^3}{384 \cdot E \cdot I \cdot 10^4}$$

Exposure Case 2  

$$f = \frac{F \cdot L^3}{8 \cdot E \cdot I \cdot 10^4}$$

Exposure Case 4  

$$f = \frac{F \cdot L^3}{384 \cdot E \cdot I \cdot 10^4}$$

- F load [N]
- L profile length [mm]
- I moment of inertia [cm<sup>4</sup>]
- E modulus of elasticity [N/mm<sup>2</sup>]
- E<sub>Al</sub> = 70,000 N/mm<sup>2</sup>

Control Of The Deflection

$$s = \frac{M_b}{W \cdot 10^3}$$

- s deflection [N/mm<sup>2</sup>]
- M<sub>b</sub> maximum bending [N/mm]
- W resistive moment [cm<sup>3</sup>]

Example

- known values: Profile 40 x 80 double bridge, upright
- F = 10,000 N
- L = 500 mm
- I = 73.74 cm<sup>4</sup>

to calculate: deflection f

Results

- Exposure Case 1: f = 1.17 mm
- Exposure Case 2: f = 8.07 mm
- Exposure Case 3: f = 0.50 mm
- Exposure Case 4: f = 0.126 mm





### Central Fasteners

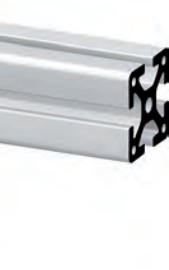
- for high static loads
- universal applications when using the range of anchors
- positive locking

• positive locking



### Standard Fasteners

- universal applications with anti-twist feature
- inexpensive and simple connection
- simple assembly



- for high static and dynamic loads
- positive locking
- the shape of the fastener protects the t-slot



### Universal Fasteners

- for high static and dynamic loads
- universal applications when using the range of t-nuts
- positive locking



### Quick Fasteners

- anti-twist feature
- positive locking
- no machining required
- simple assembly



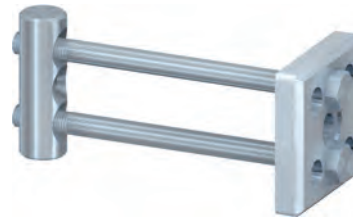
### Automatic Connector

- Slide-in t-nut provided
- No machining necessary



### Screw Fasteners M 8

- for high static and dynamic loads
- positive locking
- simple assembly
- when using only one screw a locator block prevents the profile from twisting



### Heavy Duty Fasteners

- stable and positive attachment
- for high static and dynamic loads

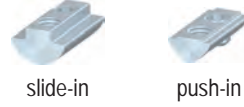
S	Silverline fastener
V	anti-twist feature
VA	stainless-steel
ON	barrel housing without tappets
EL	parallel connection, twist-in
EQ	cross connection, twist-in
L	long

NQ	t-slot fixation, cross connection
NL	t-slot fixation, parallel connection
G	thread (butt connection)
GC	G-type bolt / t-nut connection
GCV	G-type bolt / t-nut connection, anti-twist security

SPS	parallel connection
SVPS	parallel connection, anti-twist feature
EVLS	parallel connection, twist-in
EVQS	cross connection, twist-in

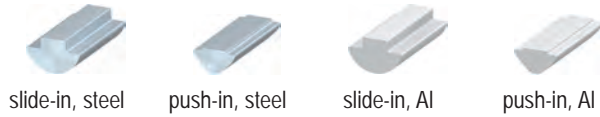


T-Nuts, ball-type

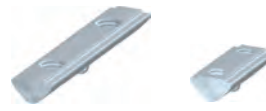


T-Nuts, with grub screw

- Positioning in the t-slot via spring-loaded ball or grub screw
- slide-in and push-in t-nut design
- threaded holes from M 3 up to M 8



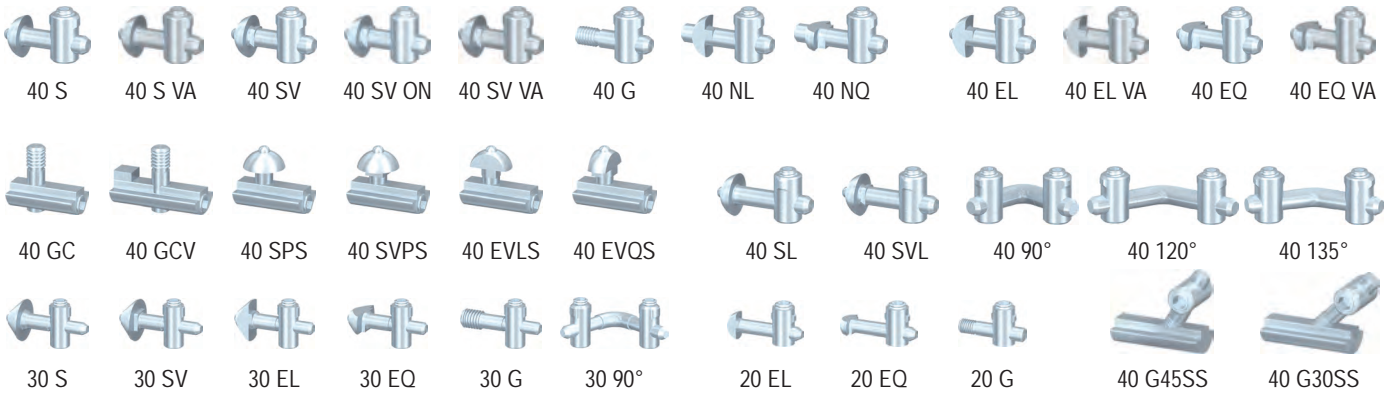
T-Nut Profiles



Double T-Nuts



Square T-Nuts



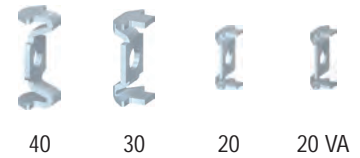
Central Fasteners



Quick Fasteners



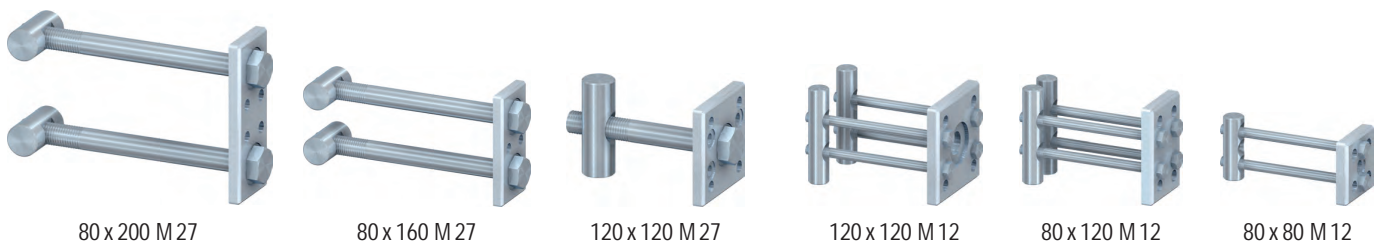
Universal Fasteners



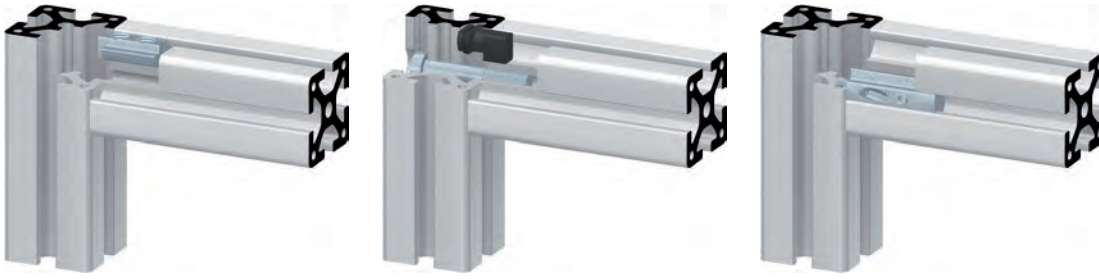
Standard Connectors



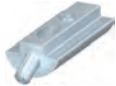
Automatic Connector



Heavy Duty Fasteners



Special T-Nut



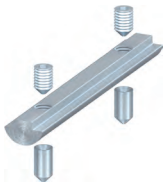
Anti-Twist T-Nut



Anti-Twist Set Screw



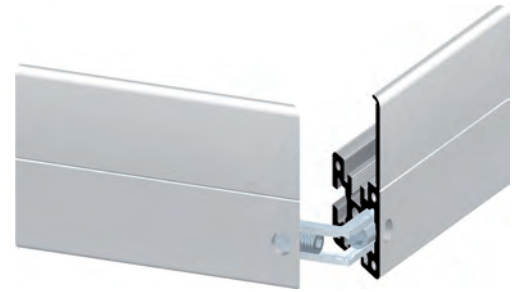
Attachment Screws M6, M8



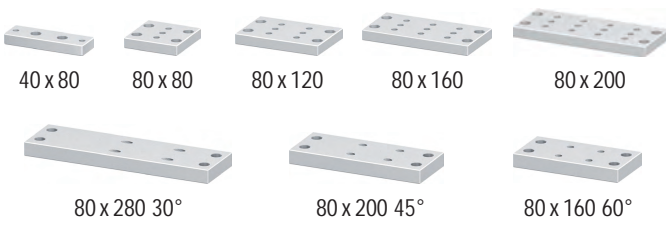
Pneumatic Connector 40



Miter Connector 40 90°



Special T-Nuts, Accessories

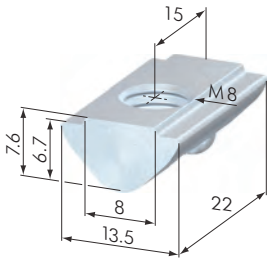


Attachment Plates



Step Fasteners





SV2102V

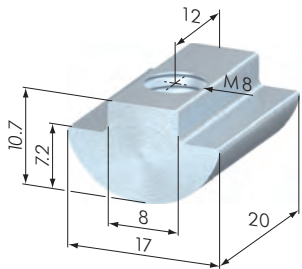


**T-Nuts, ball-type, push-in**

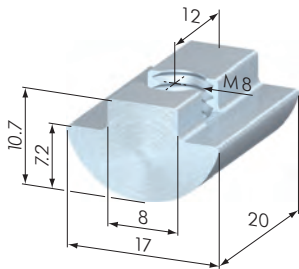
Thread	M 3	M 4	M 5	M 6	M 8	1/4"	5/16"	#10-32UNC
Part №	SV2110V	SV2112V	SV2100V	SV2101V	SV2102V	SV2860V	SV2850V	-
Part № VA	-	SV2114V	SV2104V	SV2105V	SV2106V	SV2880V	SV2870V	SV2890V
Weight	12 g	11 g	11 g	10 g	9 g	10 g	9 g	11 g

**Application:** T-nut for swiveling into the t-slot. Fits into the t-slot at any point. Held in position by a spring-loaded ball. Raised area fits into the t-slot to stop twisting.

**Material:** steel, zinc-plated or stainless-steel



SV2002V



SV2003V

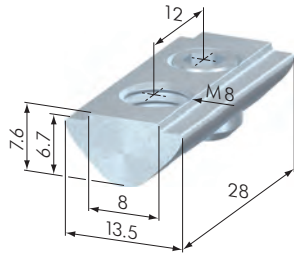


**T-Nuts, ball-type, slide-in**

Thread	M 5	M 6	M 8	M 8 S	1/4"	5/16"
Part №	SV2000V	SV2001V	SV2002V	SV2003V	SV2810V	SV2800V
Weight	17 g	17 g	15 g	14 g	17 g	15 g

**Application:** Slides in the t-slot from the end of the profile and is held in position by a spring-loaded ball. The wide supporting surface of the t-nut makes it suitable for greater fastening forces.

**Material:** steel, zinc-plated



SV2152V

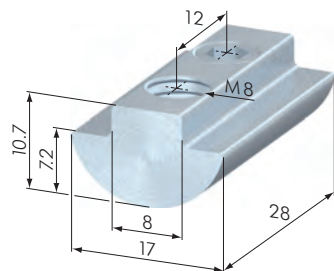


**T-Nuts, push-in**

Thread	M 5	M 6	M 8
Part №	SV2150V	SV2151V	SV2152V
Weight	14 g	14 g	12 g

**Application:** T-nut for swiveling into the t-slot. Fits into the t-slot at any point. Held in position by a grub screw. Raised area fits into the t-slot to stop twisting.

**Material:** steel, zinc-plated



SV2052V



**T-Nuts, slide-in**

Thread	M 5	M 6	M 8
Part №	SV2050V	SV2051V	SV2052V
Weight	26 g	24 g	21 g

**Application:** Slides in the t-slot from the end of the profile and is locked into position by a grub screw. The wide supporting surface of the t-nut makes it suitable for greater fastening forces.

**Material:** steel, zinc-plated



T-Nuts, slide-in



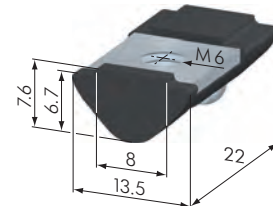
T-Nuts, push-in



T-Nuts mini

**T-Nuts steel / plastic**

Thread	M 3	M 4	M 5	M 6
Part No	SV2145S	SV2146S	SV2147S	SV2148S
Weight	4 g	4 g	4 g	4 g

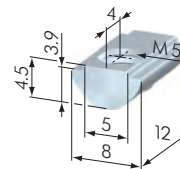
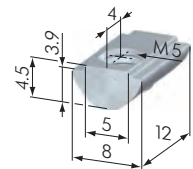
**40**  
**30**

**SV2148S**

**Application:** T-nut for swiveling into the t-slot. Fits into the t-slot at any point. Held in position by a spring-loaded ball. Raised area fits into groove to stop twisting.

**Material:** plastic t-nut with steel insert

**T-Nuts mini**

Thread	M 4	M 4 VA	M 5	M 5 VA
Part No	SV2192V	SV2194V	SV2193V	SV2195V
Weight	2 g	2 g	2 g	2 g

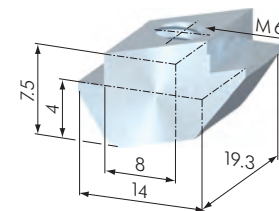
**20**

**SV2193V**

**SV2195V**

**Application:** T-nut for swiveling into the t-slot. Fits into the t-slot at any point. Held in position by a spring-loaded ball. Raised area fits into groove to stop twisting.

**Material:** steel, zinc-plated

**Square T-Nuts**

Thread	M 4	M 5	M 6
Part No	SV2178N	SV2179N	SV2180N

**40**  
**30**

**SV2180N**

**Application:** T-nut for swiveling into the t-slot. Fits into the t-slot at any point.

**Material:** GDZn (zinc diecasting)

**Double T-Nuts 40 / 20**

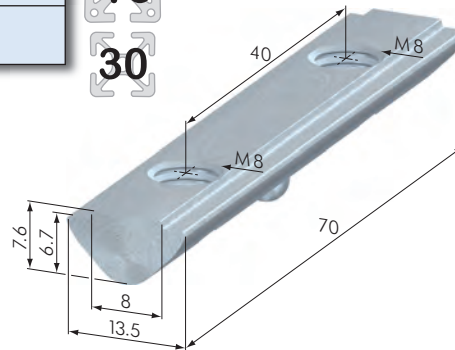
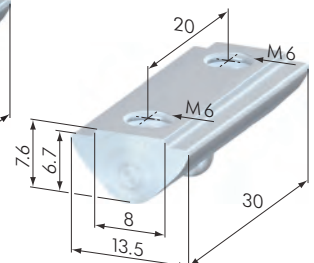
Thread	40 M 8	20 M 6
Part No	SV2202V	SV2210V

**40**  
**30**

**Application:** T-nut for swiveling into the groove. Fits into the t-slot at any point. For fixing of foot plates and any other accessories that require a fixing pitch of 40 mm x M 8 (20 mm x M 6 respectively) thread. Raised area fits into t-slot to stop twisting.

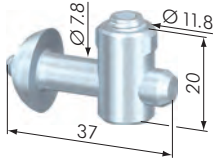
SV2202V: bore hole distance: 40 mm  
thread: M 8

SV2210V: bore hole distance: 20 mm  
thread: M 6

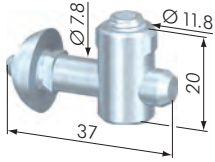

**SV2202V**

**SV2210V**

**Material:** steel, zinc-plated

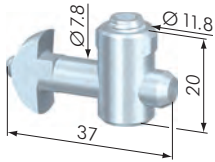
40



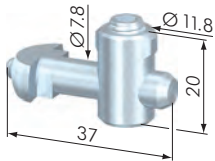
SV1001V



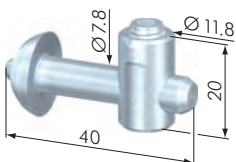
SV1211V



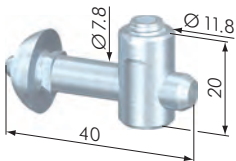
SV1011V



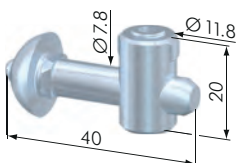
SV1021V



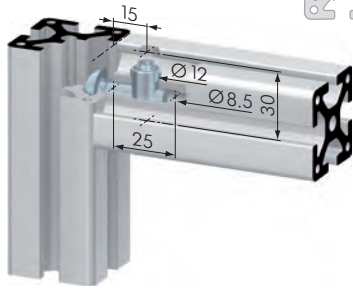
SV1213V



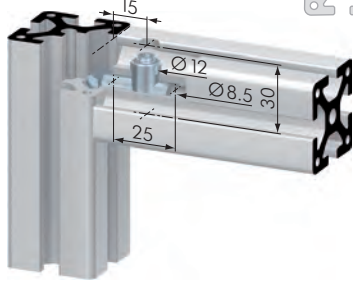
SV1221V



SV1222V



SV1212V



40

40

**Central Fastener 40 S / SV**

Part No	Description	Weight
SV1001V	Central Fastener 40 S	28 g
SV1353V	Central Fastener 40 S VA	29 g
SV1211V	Central Fastener 40 SV	28 g
SV1212V	Central Fastener 40 SV ON	27 g
SV1350V	Central Fastener 40 SV VA	30 g
SB1332	Machining Central Fastener	

**Application:** All-purpose universal fastener. The slide-in anchor is held in position in the profile groove by a spring-loaded ball in the opposing profile t-slot. The SV fasteners have an anti-twist feature. The SV ON fastener is to be used with closed profiles.

**Material:** steel, zinc-plated or stainless-steel

- Assembly:**
- bore hole for the barrel housing: Ø 12 mm, 15 mm from profile end, 30 mm deep
  - bore for center hole on end of profile for anchor: Ø 8.5 mm, 25 mm deep

**Central Fastener 40 EL / EQ**

Part No	Description	Weight
SV1011V	Central Fastener 40 EL	26 g
SV1351V	Central Fastener 40 EL VA	26 g
SV1021V	Central Fastener 40 EQ	26 g
SV1352V	Central Fastener 40 EQ VA	26 g
SB1332	Machining Central Fastener	

**Application:** All-purpose universal fastener. The twist-in anchor, with an anti-twist feature, can be fixed in the profile groove at any point. The anchor is held in position by a spring-loaded ball in the opposing profile t-slot.

**Material:** steel, zinc-plated or stainless-steel

- Assembly:**
- bore hole for the barrel housing: Ø 12 mm, 15 mm from profile end, 30 mm deep
  - bore for center hole on end of profile for anchor: Ø 8.5 mm, 25 mm deep

**Central Fastener 40 SL / SVL**

Part No	Description	Weight
SV1213V	Central Fastener 40 SL	30 g
SV1221V	Central Fastener 40 SVL	31 g
SV1222V	Central Fastener 40 SVLL	
SB1332	Machining Central Fastener	

**Application:** Special applications. The slide-in anchor, with an anti-twist feature, can be fixed in the profile t-slot at any point. The anchor is held in position by a spring-loaded ball in the opposing profile t-slot. The SVL fastener has an anti-twist feature. Both fasteners can be used for parallel and transverse connections.

**Material:** steel, zinc-plated

- Assembly:**
- bore hole for the barrel housing: Ø 12 mm, 20 mm from profile end, 30 mm deep
  - bore for anchor in the profile: Ø 8.5 mm, 20 mm from profile end, 25 mm deep

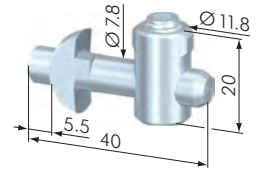
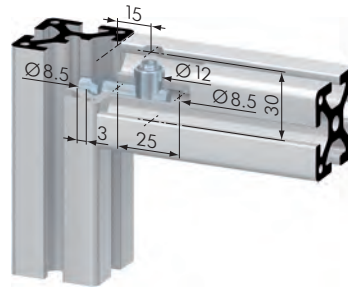
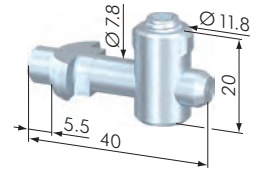
**Central Fastener 40 NL / NQ**

Part No	Description	Weight
SV1031V	Central Fastener 40NL	28 g
SV1041V	Central Fastener 40NQ	28 g
SB1332	Machining Central Fastener	

**Application:** Special applications. The twist-in anchor, with an anti-twist feature, can be fixed in the profile t-slot at any point. The fastener is used where high bending moments are required.

**Material:** steel, zinc-plated

- Assembly:**
- bore hole for the barrel housing:  
Ø 12 mm, 15 mm from profile end, 30 mm deep
  - bore for center hole on end of profile for anchor:  
Ø 8.5 mm, 25 mm deep
  - hole for locking pin on anchor in opposing profile:  
Ø 8.5 mm, 20 mm from profile end, 3 mm deep

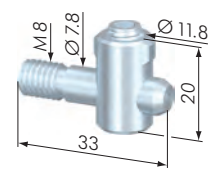
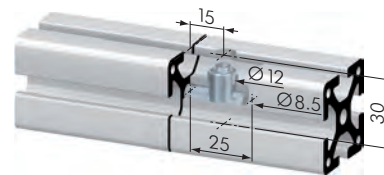
**40**

**SV1031V**

**SV1041V**
**Central Fastener 40 G**

Part No	Description	Weight
SV1071V	Central Fastener 40 G	22 g
SB1332	Machining Central Fastener	

**Application:** Butt fastener. Used for joining two profiles end to end or for frontal attaching of plates. The anchor is screwed into the opposing profile or plate.

**Material:** steel, zinc-plated

- Assembly:**
- bore hole for the barrel housing:  
Ø 12 mm, 15 mm from profile end, 30 mm deep
  - bore for center hole on end of profile for anchor:  
Ø 8.5 mm, 25 mm deep

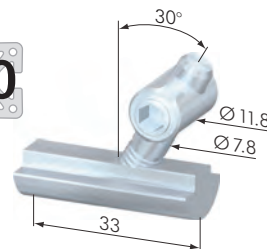
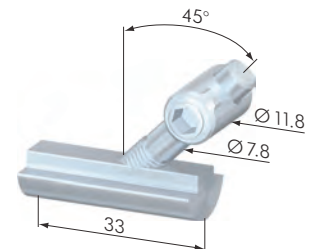
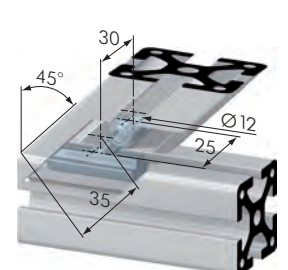
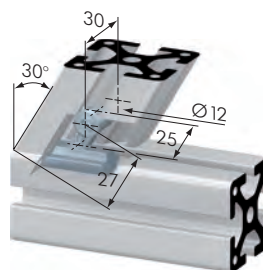
**40**

**SV1071V**
**Central Fastener G 30 SS / G 45 SS**

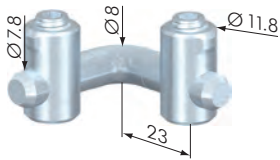
Part No	Description	Weight
SV1111V	Central Fastener G 30 SS	56 g
SV1151V	Central Fastener G 45 SS	57 g
SB1332	Machining Central Fastener	

**Application:** The anchor is screwed into the t-nut at either 30° or 45°. Special angles are available on request.

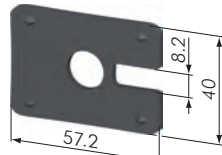
**Material:** steel, zinc-plated

- Assembly:**
- bore hole for the barrel housing:  
Ø 12 mm, 27 mm (35 mm) from profile end, 30 mm deep
  - bore for center hole on end of profile for anchor:  
Ø 8.5 mm, 25 mm deep

**40**

**SV1111V**

**SV1151V**




SV1650V



SV1660V



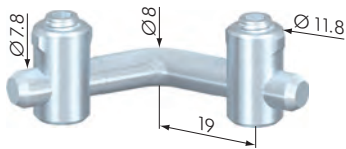
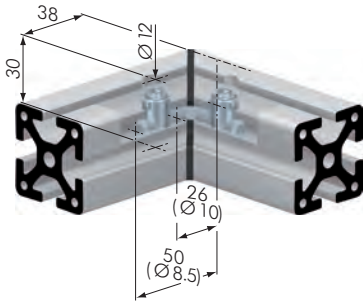
**Central Fastener 40 90°**

Part No	Description	Weight
SV1650V	Central Fastener 40 90°	42 g
SV1660V	Plastic Corner 40 90°	8 g
SB1332	Machining Central Fastener	

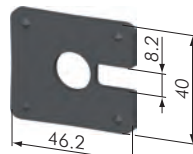
**Application:** Fastener for 90° mitered joint, cut angle is 45°.

**Material:** fastener: steel, zinc-plated  
plastic corner: POM, black

- Assembly:**
- bore hole for the barrel housing (2x):  
Ø 12 mm, 38 mm from profile end, 30 mm deep
  - bore for center hole on end of profile for anchor (2x):  
Ø 8.5 mm, 50 mm deep; Ø 10 mm, 26 mm deep



SV1640V



SV1670V



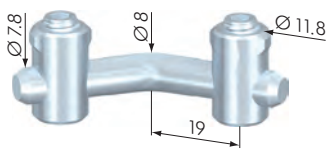
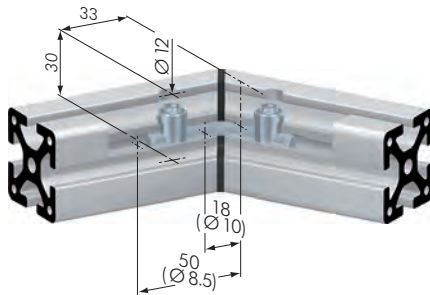
**Central Fastener 40 120°**

Part No	Description	Weight
SV1640V	Central Fastener 40 120°	40 g
SV1670V	Plastic Corner 40 120°	6 g
SB1332	Machining Central Fastener	

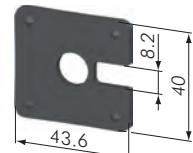
**Application:** Fastener for 60° mitered joint, cut angle is 60°.

**Material:** fastener: steel, zinc-plated  
plastic corner: POM, black

- Assembly:**
- bore hole for the barrel housing (2x):  
Ø 12 mm, 33 mm from profile end, 30 mm deep
  - bore for center hole on end of profile for anchor (2x):  
Ø 8.5 mm, 50 mm deep; Ø 10 mm, 26 mm deep



SV1645V



SV1665V



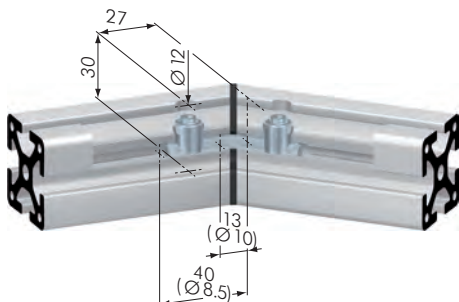
**Central Fastener 40 135°**

Part No	Description	Weight
SV1645V	Central Fastener 40 135°	42 g
SV1665V	Plastic Corner 40 135°	6 g
SB1332	Machining Central Fastener	

**Application:** Fastener for 45° mitered joint, cut angle is 67.5°.

**Material:** fastener: steel, zinc-plated  
plastic corner: POM, black

- Assembly:**
- bore hole for the barrel housing (2x):  
Ø 12 mm, 27 mm from profile end, 30 mm deep
  - bore for center hole on end of profile for anchor (2x):  
Ø 8.5 mm, 40 mm deep; Ø 10 mm, 26 mm deep





**Central Fastener 40 GC / GCV**

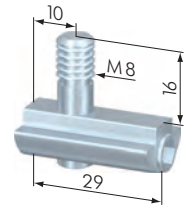
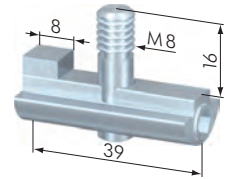
Part No	Description	Weight
SV1301V	Central Fastener 40 GC	30.7 g
SV1311V	Central Fastener 40 GCV	40.8 g
SB1332	Machining Central Fastener	

**Application:** All-purpose universal fastener. Uses a slide-in t-nut with locking grub screw. The anchor with M8 thread is screwed into the opposing profile. The Central Fastener 40 GCV includes an anti-twist feature.

**Material:** steel, zinc-plated

**Assembly:**

- Slide t-nut portion into the t-slot from the end of the profile.
- tap center hole of mating profile with an M8 thread and screw in threaded anchor. Twist to orient »diveted« portion of fastener so that it is facing the same direction as the barrel housing.

**40**

**SV1301V**

**SV1311V**
**Central Fastener 40 SPS / SVPS**

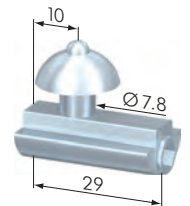
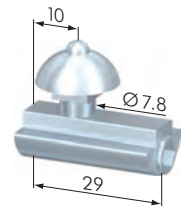
Part No	Description	Weight
SV1231V	Central Fastener 40 SPS	35 g
SV1241V	Central Fastener 40 SVPS	35 g
SB1332	Machining Central Fastener	

**Application:** All purpose universal fastener. The anchor must be positioned in the profile t-slot from the end of the profile and is held in position by a spring-loaded ball. The Central Fastener 40 SVPS has an anti-twist feature. No drilling required.

**Material:** steel, zinc-plated

**Assembly:**

- Slide anchor into the t-slot profile which is to be connected.
- Slide t-nut portion of into the t-slot from the end of the profile.
- Lock in anchor with set screw located in t-nut portion of fastener.

**40**

**SV1231V**

**SV1241V**
**Central Fastener 40 EVLS / EVQS**

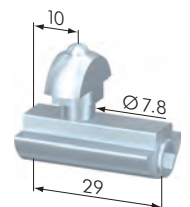
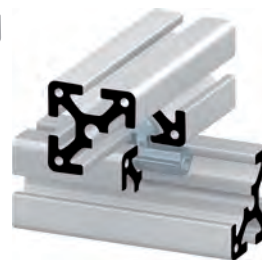
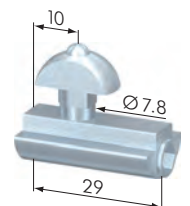
Part No	Description	Weight
SV1251V	Central Fastener 40 EVLS	32 g
SV1261V	Central Fastener 40 EVQS	32 g
SB1332	Machining Central Fastener	

**Application:** Suitable for 90° and parallel profile connections. The anchor can be twisted into the profile t-slot at any point. No drilling required.

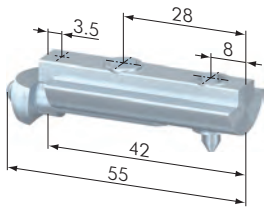
**Material:** steel, zinc-plated

**Assembly:**

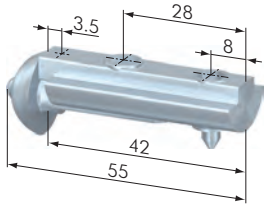
- Slide or twist in anchor into the t-slot profile which is to be connected.
- Slide or twist in t-nut portion into the t-slot from the end of the profile.
- Lock in anchor with set screw located in t-nut portion of fastener.

**40**

**SV1261V**

**SV1251V**

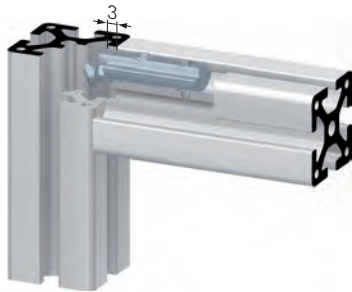
40



SV0101V



SV0102V



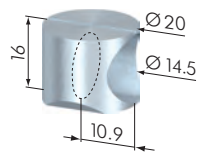
Quick Fastener 40		
Part No	Description	Weight
SV0101V	Quick Fastener 40	46 g
SV0102V	Quick Fastener 40 S	47 g

**Application:** No machining of either profile is required when using this fastener. The RH grub screw is driven into the profile to retain the t-nut, the LH grub retains and tensions the anchor during the fastening process. The anchor has an anti-twist feature.

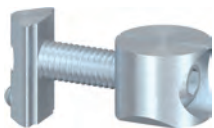
**Material:** steel, zinc-plated

- Assembly:**
- Insert the t-nut portion of fastener so that the anti-twist feature protrudes 3 mm over the end of the profile.
  - Screw in the cone point set screw on the t-nut portion of fastener into the profile.
  - Insert the anchor into the t-slot of the mating profile and tighten into place by means of the set screw on the t-nut portion of the fastener.

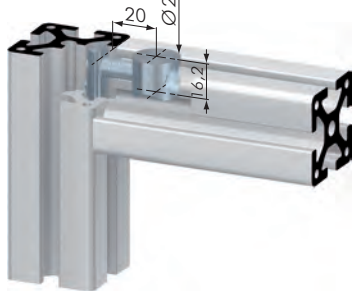
40



SV1800V



SV1801V



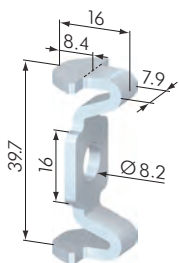
Universal Fastener 40		
Part No	Description	Weight
SV1800V	Universal Fastener 40	21.5 g
SV1801V	Universal Fastener Set 40	43.3 g
SB1350	Machining Universal Fastener	

**Application:** Standard fastener with universal applications. The push-in t-nut can be swiveled into the profile t-slot at any point and is held in position by a spring-loaded ball.

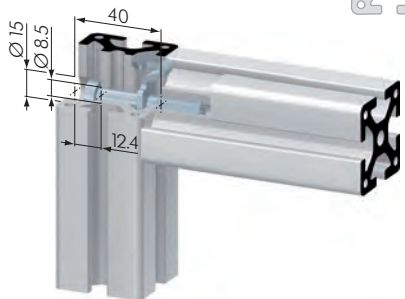
**Material:** steel, zinc-plated

- Assembly:**
- Insert t-nut into the t-slot of profile.
  - bore hole for the fastener housing: Ø20 mm, 20 mm from the profile end, 16 mm deep

40



SV1900V

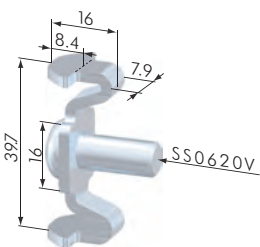


Standard Connector 40		
Part No	Description	Weight
SV1900V	Standard Connector 40	14 g
SV1915V	Standard Connector Set 40	21 g

**Application:** An inexpensive and simple connection for profiles. The t-slot is not deformed when the joint is made, giving greater stability to the joint. At the same time, the fastener guarantees no twisting of the joined profiles.

**Material:** steel, zinc-plated

- Assembly:**
- bore hole for Km 8: Ø8.5 mm, 20 mm from the profile end, 40 mm deep
  - bore for cap screw head: Ø15 mm, 20 mm from the profile end, 12.4 mm deep
  - Tap center hole of mating profile with an M8 thread



SV1915V

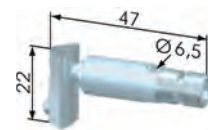
**Automatic Connector 40**

Part No	Description	Weight
SV1700V	Automatic fastening set 40	
SV1705V	Automatic fastening set 40 VA	

**Application:** No machining of either profile is required when using this fastener. If possible use in pairs.

**Material:** steel, zinc-plated or stainless-steel

**Assembly:** The fastener is screwed into a profile groove in the end face. It was recommended to use a lubricant.

**40**

**SV1610V**
**Central Fastener 30 S / SV**

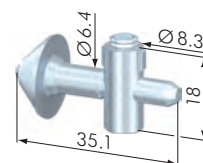
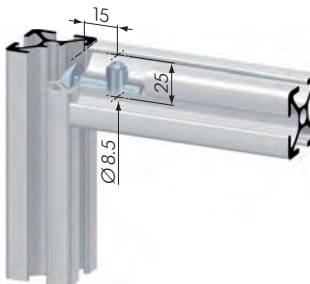
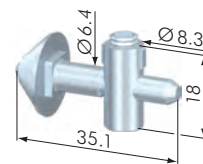
Part No	Description	Weight
SV1610V	Central Fastener 30 S	17.3 g
SV1620V	Central Fastener 30 SV	17.4 g
SB1332	Machining Central Fastener	

**Application:** All-purpose universal fastener. The slide-in anchor is held in position in the profile t-slot by a spring-loaded ball in the opposing profile groove. The Central Fastener 30 SV has an anti-twist feature.

**Material:** steel, zinc-plated

**Assembly:**

- Bore hole for the barrel housing: Ø 8.5 mm, 15 mm from profile end, 25 mm deep
- bore for center hole – not required

**30**

**SV1610V**

**SV1620V**
**Central Fastener 30 EL / EQ**

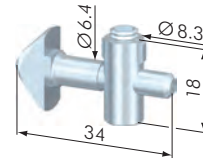
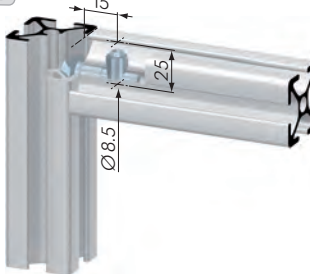
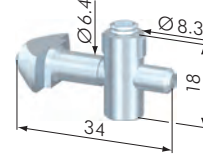
Part No	Description	Weight
SV1601V	Central Fastener 30 EL	16 g
SV1600V	Central Fastener 30 EQ	16 g
SB1332	Machining Central Fastener	

**Application:** All-purpose universal fastener. The twist-in anchor, with an anti-twist feature, can be fixed in the profile t-slot at any point. The anchor is held in position by a spring-loaded ball in the opposing profile t-slot.

**Material:** steel, zinc-plated

**Assembly:**

- Bore hole for the barrel housing: Ø 8.5 mm, 15 mm from profile end, 25 mm deep
- bore for center hole – not required

**30**

**SV1601V**

**SV1600V**
**Central Fastener 30 G**

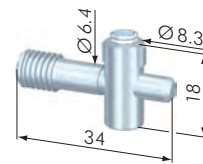
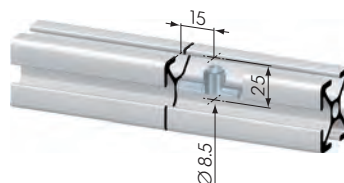
Part No	Description	Weight
SV1072V	Central Fastener 30 G	8 g
SB1332	Machining Central Fastener	

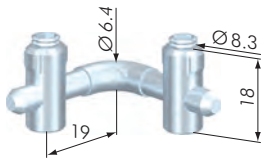
**Application:** Butt fastener. Used for joining two profiles end to end. The anchor is screwed into the opposing profile or plate.

**Material:** steel, zinc-plated

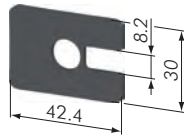
**Assembly:**

- Tap center hole of mating profile with an M8 thread to orient »diveted« portion of fastener so that it is facing the direction as the barrel housing.

**30**

**SV1072V**



SV1602V



SV1661V



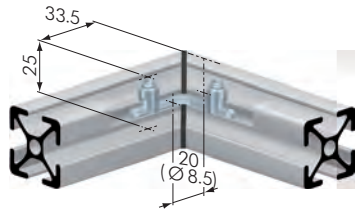
Central Fastener 30 90°		
Part No	Description	Weight
SV1602V	Central Fastener 30 90°	28 g
SV1661V	Plastic Corner 30 90°	
SB1332	Machining Central Fastener	

**Application:** Fastener for 90° mitered joint, cut angle is 45°.

**Material:** fastener: steel, zinc-plated  
plastic corner: POM, black

**Assembly:**

- bore hole for the barrel housing (2x):  
Ø 8.5 mm, 33.5 mm from profile end, 25 mm deep
- bore for center hole on end of profile for anchor (2x):  
Ø 8 mm, 20 mm deep



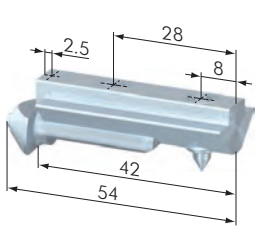
Quick Fastener 30		
Part No	Description	Weight
SV0104V	Quick Fastener 30	40 g

**Application:** No machining of either profile is required when using this fastener. The RH grub screw is driven into the profile to retain the t-nut, the LH grub screw retains and tensions the anchor during the fastening process. The anchor has an anti-twist feature.

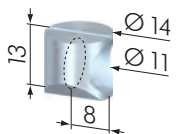
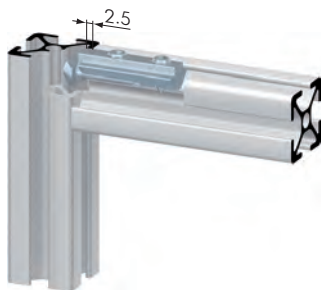
**Material:** steel, zinc-plated

**Assembly:**

- Insert the t-nut portion of fastener so that the anti-twist feature protrudes 2.5 mm over the end of the profile edge.
- Screw in the cone point set screw on the t-nut portion of fastener into the profile.
- Insert the anchor into the t-slot of the mating profile and tighten into place by means of the t-nut portion of the fastener.



SV0104V



SV1802V



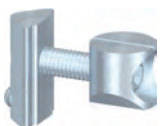
Universal Fastener 30		
Part No	Description	Weight
SV1802V	Universal Fastener 30	8 g
SV1803V	Universal Fastener Set 30	23 g
SB1351	Machining Universal Fastener	

**Application:** Universal applications. Uses a slide-in t-nut with locking grub screw.

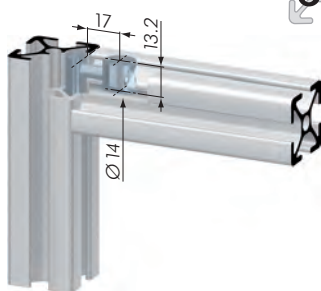
**Material:** steel, zinc-plated

**Assembly:**

- Insert t-nut into the t-slot of profile.
- bore hole for fastener housing:  
Ø 14 mm, 15 mm from the profile end, 12.7 mm deep



SV1803V



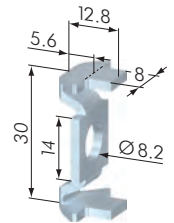
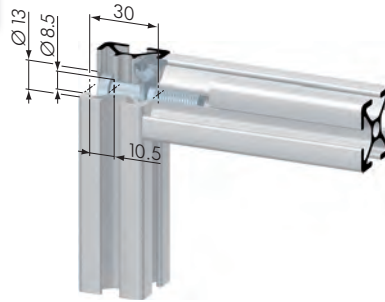
**Standard Connector 30**

Part Nº	Description	Weight
SV1910V	Standard Connector 30	12 g

**Application:** An inexpensive and simple connection for profiles. The t-slot is not deformed when the joint is made, giving greater stability to the joint. At the same time, the fastener guarantees no twisting of the joined profiles.

**Material:** steel, zinc-plated

- Assembly:**
- Insert the standard fastener into the t-slot from the end of the profile
  - bore hole for Km 8:  $\varnothing 8.5$  mm, 15 mm from the profile end, 30 mm deep
  - bore for cap screw head:  $\varnothing 13$  mm, 15 mm from the profile end, 10.5 mm deep
  - Tap center hole of mating profile with an M8 thread.

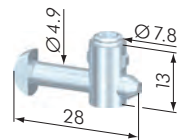
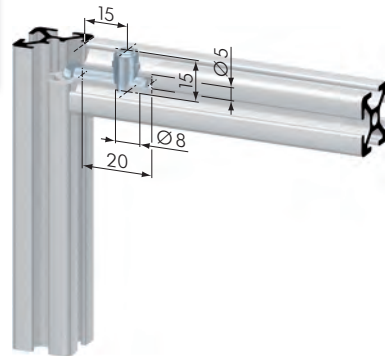
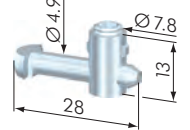
**30**

**SV1910V**
**Central Fastener 20 EL / EQ**

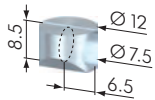
Part Nº	Description	Weight
SV1501V	Central Fastener 20 EL	8 g
SV1500V	Central Fastener 20 EQ	8 g
SB1332	Machining Central Fastener	

**Application:** All-purpose universal fastener. The twist-in anchor, with an anti-twist feature, can be fixed in the profile t-slot at any point.

**Material:** steel, zinc-plated

- Assembly:**
- bore hole for the barrel housing:  $\varnothing 8$  mm, 15 mm from the profile end, 15 mm deep
  - bore for center hole on end of profile for anchor:  $\varnothing 5$  mm, 25 mm deep

**20**

**SV1501V**

**SV1500V**



SV1804V



SV1805V



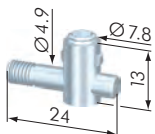
20

Universal Fastener 20		
Part No	Description	Weight
SV1804V	Universal Fastener 20	4 g
SV1805V	Universal Fastener Set 20	8 g
SB1352	Machining Universal Fastener	

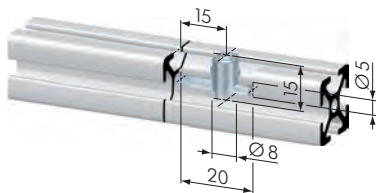
**Application:** Universal applications. Uses a slide-in t-nut with locking grub screw.

**Material:** steel, zinc-plated

- Assembly:**
- Insert t-nut into the t-slot of profile.
  - bore hole for fastener housing:
    - Ø 12 mm, 10 mm from the profile end, 8.5 mm deep



SV1073V



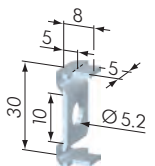
20

Central Fastener 20 G		
Part No	Description	Weight
SV1073V	Central Fastener 20 G	6 g
SB1332	Machining Central Fastener	

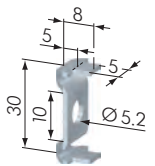
**Application:** Butt fastener. Used for joining two profiles end to end. The anchor is screwed into the opposing profile or plate.

**Material:** steel, zinc-plated

- Assembly:**
- bore hole for the barrel housing:
    - Ø 8 mm, 15 mm from the profile end, 15 mm deep
  - bore for center hole on end of profile for anchor:
    - Ø 5 mm, 20 mm deep
  - Tap center hole of mating profile with an M5 thread and screw in threaded anchor. Twist 1-2 revolutions from the end of thread to orient »diveted« portion of fastener so that it is facing the same direction as the barrel housing.



SV1912V



SV1913V



20

Standard Connector 20		
Part No	Description	Weight
SV1912V	Standard Connector 20	12 g
SV1913V	Standard Connector 20 VA	13 g

**Application:** An inexpensive and simple connection for profiles. The t-slot is not deformed when the joint is made, giving greater stability to the joint. At the same time, the fastener guarantees no twisting of the joined profiles.

**Material:** steel, zinc-plated

- Assembly:**
- Insert the standard fastener 20 into the t-slot from the end of the profile.
  - bore hole for Km 5:
    - Ø 5.5 mm, 15 mm from the profile end, 20 mm deep
  - bore for cap screw head:
    - Ø 10 mm, 10 mm from the profile end, 6.35 mm deep
  - Tap center hole of mating profile with an M5 thread.

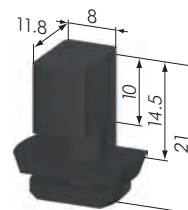
**Locator Block**

Part N <sup>o</sup>	Description	Weight
SZ3000S	Locator Block	3 g

**Application:** Installation accessory and anti-twist feature device for simple screw and central fastener connections in the 40 profile range.

**Material:** PA, black

40



SZ3000S

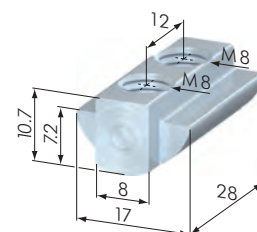
**Special T-Nut**

Part N <sup>o</sup>	Description	Weight
SV2060V	Special T-Nut	21 g

**Application:** Provides anti-twist security used for heavy loads.

**Material:** steel, zinc-plated

40



SZ2060V

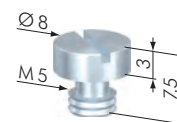
**Anti-Twist Set Screw**

Part N <sup>o</sup>	Description	Weight
SS9900V	Anti-Twist Set Screw	1.4 g

**Application:** Anti-twist set screw for hinges and other applications.

**Material:** steel, zinc-plated

40



SS9900V

**Doweling T-Nut**

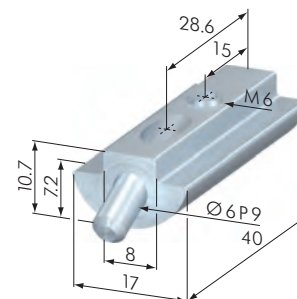
Part N <sup>o</sup>	Description	Weight
SV2070V	Doweling T-Nut	35 g

**Application:** Prevents movement caused by heavy loads. Can also be used to stop aligned profiles from moving.

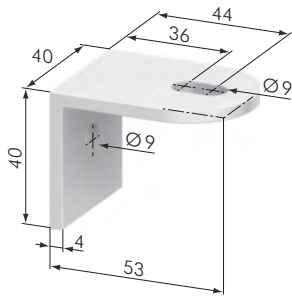
Resilience against movement per element – up to 3kN.

**Material:** steel, zinc-plated

40



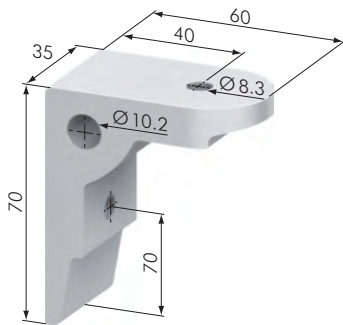
SZ2070V



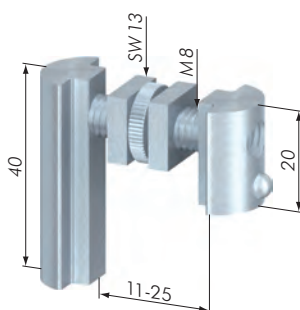
SZ8000N



SZ8005N



SZ8001N



SZ8010N



**Angle 40 x 60**

Part No	Description	Weight
SZ8000N	Angle 40 x 60	31.5 g

**Application:** For attaching and adjusting protection panels.

Gap adjustment: 16 - 24 mm

**Material:** aluminum, natural anodized

**Supply:**

- 1x attachment screw M8 / L 24
- 1x screw M8 x 20, DIN 7380, washer



**Bolt G-type**

Part No	Description	Weight
SZ8005N	Bolt G-type	66.1 g

**Application:** For the centering of protection panels.

The bolt G-type gears with the angle 60 x 70.

**Material:** steel, zinc-plated



**Angle 60 x 70**

Part No	Description	Weight
SZ8001N	Angle 60 x 70	113.5 g

**Application:** Panel support angle with bolt for angular adjustment of panels.

**Material:** aluminum, natural anodized

**Supply:**

- 1x SS2330V attachment screw M8 / L 30
- 1x SZ8005N bolt type G



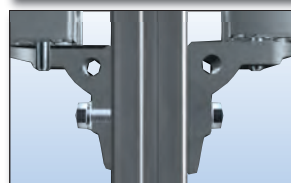
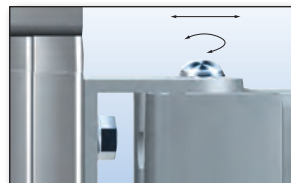
**Holder, adjustable**

Part No	Description	Weight
SZ8010V	Holder, adjustable	66.1 g

**Application:** Compensating mounting for protection panels.

Gap adjustment: 11 - 25 mm

**Material:** steel, zinc-plated



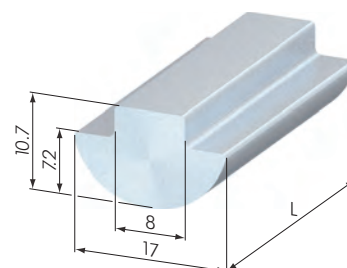


**T-Nut Profile, slide-in**

Part N <sup>o</sup>	Description	Weight
SV2570V3000	T-Nut Profile, slide-in, 3000 mm	2880 g
SV2571V	T-Nut Profile, slide-in, cut	960 <sup>g</sup> / <sub>m</sub>

**Application:** For manufacturing t-nuts, maximum tapping size M8.

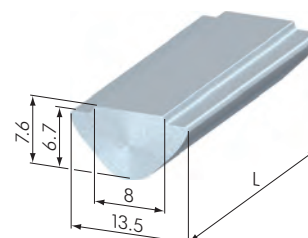
**Material:** steel, blank

**40**

**SV2570V**
**T-Nut Profile, push-in**

Part N <sup>o</sup>	Description	Weight
SV2560V3000	T-Nut Profile, push-in, 3000 mm	1605 g
SV2561V	T-Nut Profile, push-in, cut	536 <sup>g</sup> / <sub>m</sub>
Part N <sup>o</sup> VA	Description	Weight
SV2575V3000	T-Nut Profile stainless steel, push-in, 3000 mm	1605 g

**Application:** For manufacturing t-nuts, maximum tapping size M8.

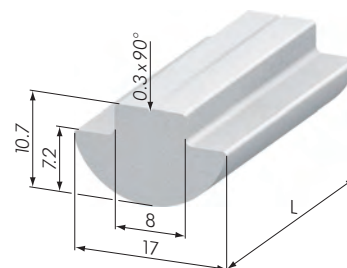
**Material:** steel, blank or stainless-steel

**40**
**30**

**SV2560V**
**T-Nut Profile, aluminum, slide-in**

Part N <sup>o</sup>	Description	Weight
SV2570N6000	T-Nut Profile, slide-in, 6000 mm	1986 g
SV2570N3000	T-Nut Profile, slide-in, 3000 mm	995 g
SV2571N	T-Nut Profile, slide-in, cut	332 <sup>g</sup> / <sub>m</sub>

**Application:** For manufacturing t-nuts, maximum tapping size M8.

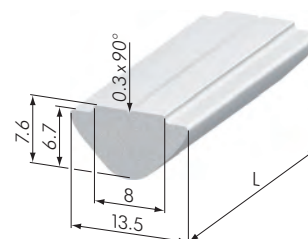
**Material:** aluminum, natural anodized

**40**

**SV2570N**
**T-Nut Profile, aluminum, push-in**

Part N <sup>o</sup>	Description	Weight
SV2560N6000	T-Nut Profile, push-in, 6000 mm	1110 g
SV2560N3000	T-Nut Profile, push-in, 3000 mm	555 g
SV2561N	T-Nut Profile, push-in, cut	185 <sup>g</sup> / <sub>m</sub>

**Application:** For manufacturing t-nuts, maximum tapping size M8.

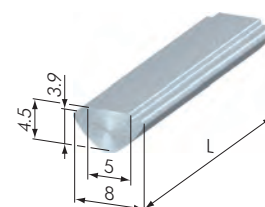
**Material:** aluminum, natural anodized

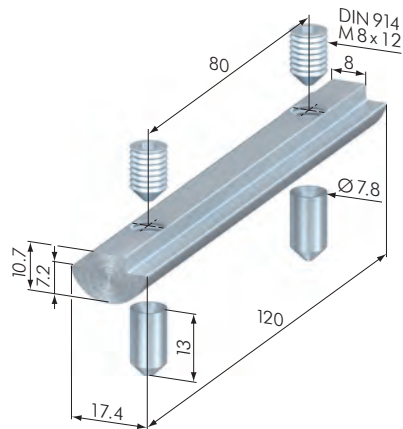
**40**
**30**

**SV2560N**
**T-Nut Profile, mini**

Part N <sup>o</sup>	Description	Weight
SV2080V3000	T-Nut Profile mini, 3000 mm	609 g
SV2581V	T-Nut Profile mini, cut	203 <sup>g</sup> / <sub>m</sub>

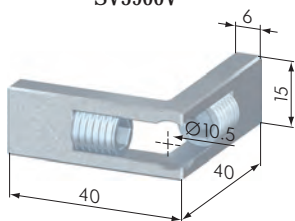
**Application:** For manufacturing t-nuts, maximum tapping size M5.

**Material:** steel, blank

**20**

**SV2580V**



SV3500V



SV1901V



### Pneumatic Fastener 40

Part No	Description	Weight
SV3500V	Pneumatic Fastener 40	114 g

**Application:** For extending profile runs used as compressed air lines.  
Can also be used to extend standard profile runs.

**Material:** steel, zinc-plated

**Supply:**

- 1x t-nut M 8, slide-in, L = 120 mm
- 2x tensioning bush
- 2x grub screw M 8 x 12, zinc-plated



### Miter Connector 40 90°

Part No	Description	Weight
SV1901V	Miter Connector 40 90°	49 g

**Application:** For right angled joining of table profiles (SP2500N).

**Material:** steel, zinc-plated



### Attachment Screws

Part No	Description	Weight
SS2225V	Attachment Screw M 6 / L 25	12 g
SS2230V	Attachment Screw M 6 / L 30	12 g
SS2240V	Attachment Screw M 6 / L 40	15 g
SS2330V	Attachment Screw M 8 / L 30	20 g
SS2332V	Attachment Screw M 8 / L 32	20 g
SS2340V	Attachment Screw M 8 / L 40	22 g

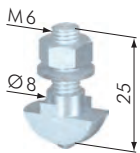
**Application:** Attaching accessories and sheet material to profiles.

The twist-in attachment screw, with an anti-twist feature, can be fixed in the profile groove at any point and is held in position by a spring-loaded ball.

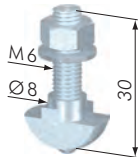
**Material:** steel, zinc-plated

**Supply:**

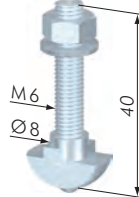
- 1x hexagon nut M 6 (M 8), DIN 934, Zn
- 1x washer M 6 (M 8), DIN 125
- 1x attachment screw M 6 (M 8) x L



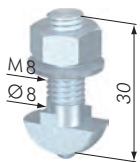
SS2225V



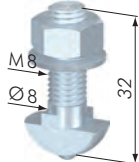
SS2230V



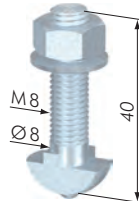
SS2240V



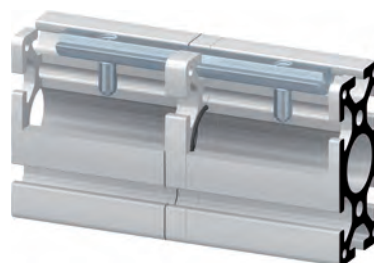
SS2330V



SS2332V



SS2340V





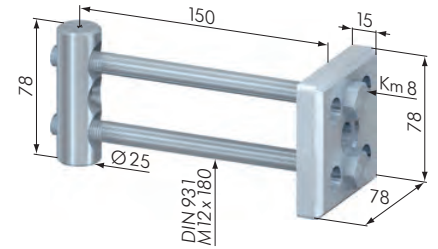
### Heavy Duty Fasteners

Part No	Description	Weight
SV6000V	Heavy Duty Fastener 80 x 80 200 M 27	1.53 kg
SV6002V	Heavy Duty Fastener 80 x 80 160 M 27	1.18 kg
SV6005V	Heavy Duty Fastener 80 x 80 M 12	0.80 kg
SV6008V	Heavy Duty Fastener 80 x 120 M 12	
SV6010V	Heavy Duty Fastener 120 x 120 M 12	3.94 kg
SV6011V	Heavy Duty Fastener 120 x 120 M 27	4.30 kg

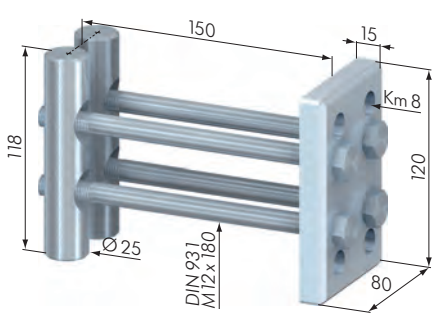
**Application:** For a stable and positive attachment of large profiles under heavy loads. Due to the large support area, high pressure forces can be achieved.

**Material:** steel, zinc-plated

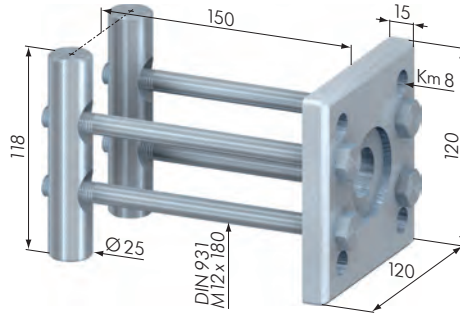
- Supply:**
- 1x / 2x / 4x hexagon screw with washers
  - 1x / 2x fastening bolt
  - 1x traction plate



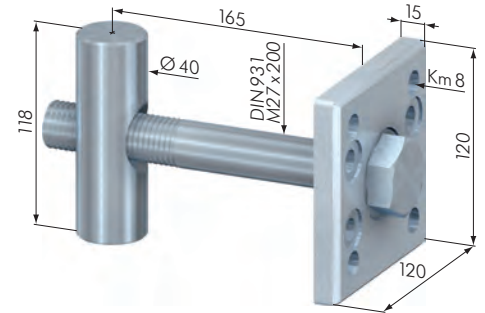
SV6005V



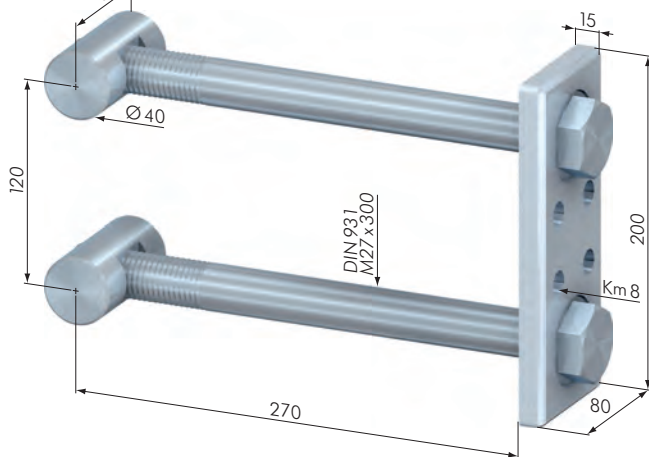
SV6008V



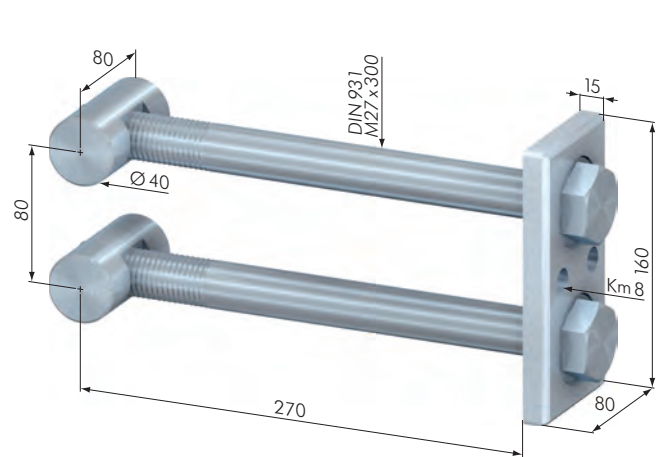
SV6010V



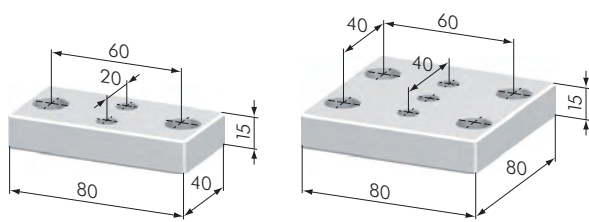
SV6011V



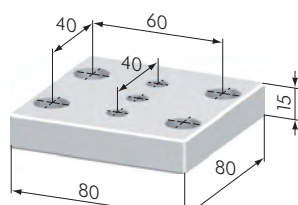
SV6000V



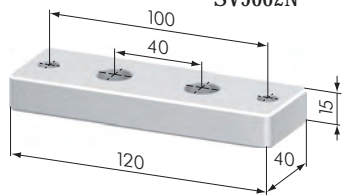
SV6002V



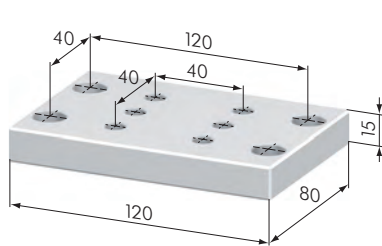
SV5001N



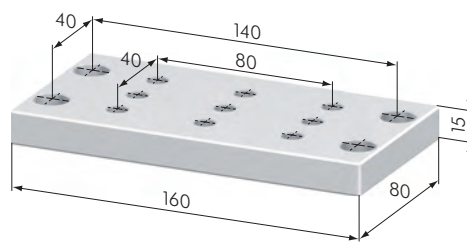
SV5002N



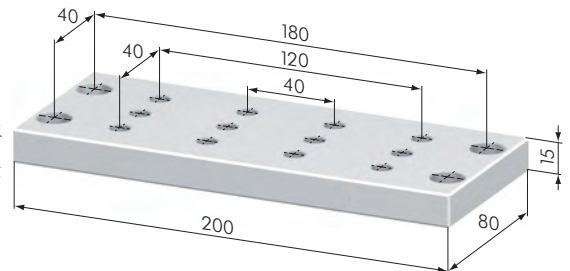
SV5006N



SV5003N



SV5004N



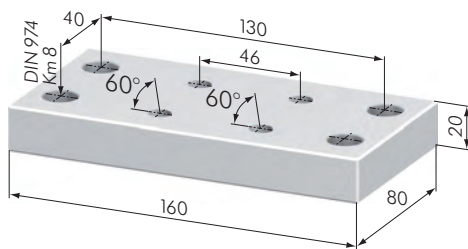
SV5005N

Attachment Plates		
Part No	Description	Weight
SV5001N	Attachment Plate 80 x 40	130 g
SV5002N	Attachment Plate 80 x 80	260 g
SV5003N	Attachment Plate 80 x 120	390 g
SV5004N	Attachment Plate 80 x 160	520 g
SV5005N	Attachment Plate 80 x 200	650 g
SV5006N	Attachment Plate 40 x 120	190 g

**Application:** To attach profiles onto assemblies, work benches, etc.  
 Can also be used to connect profiles one to another.

**Material:** aluminum, natural anodized

**Supply:** • attachment plate



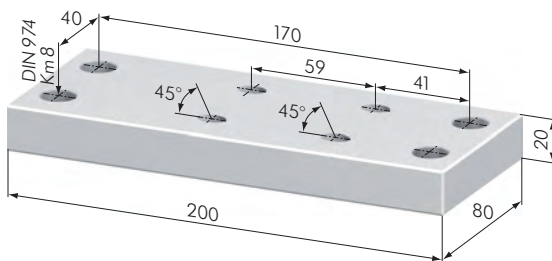
SV5016N

Attachment Plates		
Part No	Description	Weight
SV5013N	Attachment Plate 30°, 80 x 280	1130 g
SV5014N	Attachment Plate 45°, 80 x 200	800 g
SV5016N	Attachment Plate 60°, 80 x 160	635 g

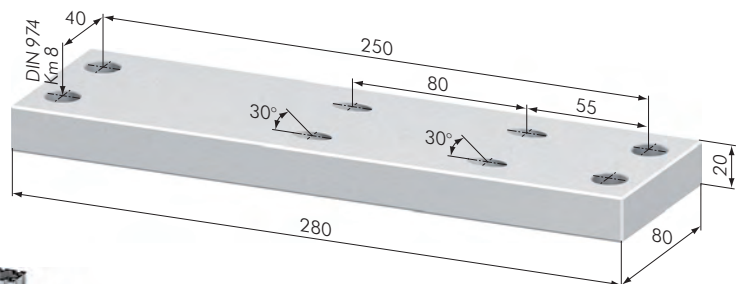
**Application:** For bracing two profiles by either attaching two 45° plates or one 30° plate and one 60° plate to the 80 x 80 profiles.

**Material:** aluminum, natural anodized

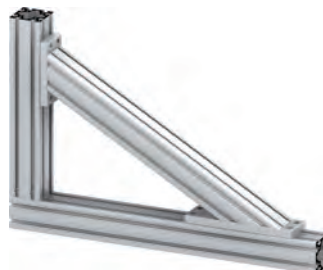
**Supply:** • 1x attachment plate



SV5014N



SV5013N

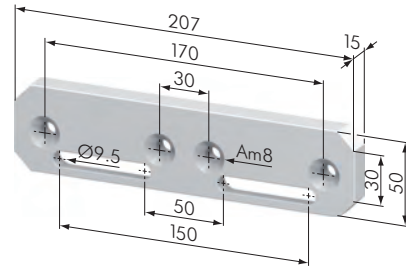


**Step Fasteners**

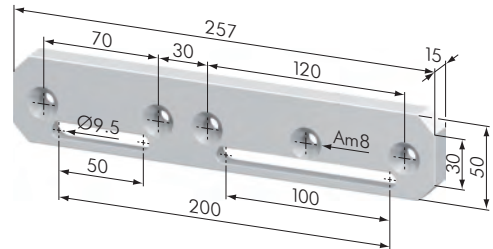
Part No	Description	Weight
SV3200N	Step Fastener 200	450 g
SV3202N	Step Fastener 250	489 g
SV3205N	Step Fastener 300	530 g

**Application:** One or two step fasteners are attached to the end of a length of tread profile (SP0610N or SP0620N) to make one complete step. The complete step is attached to the profile that makes the staircase. The pitch of the steps can be quickly varied by sliding the step up or down the staircase profile groove.

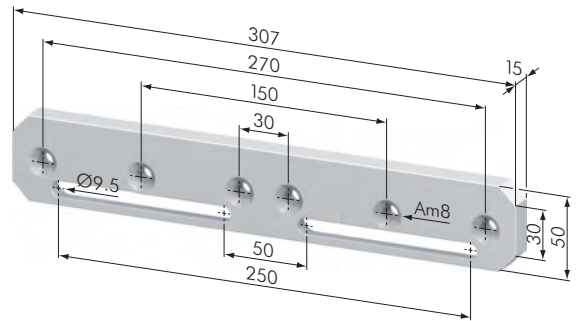
**Material:** aluminum, natural anodized



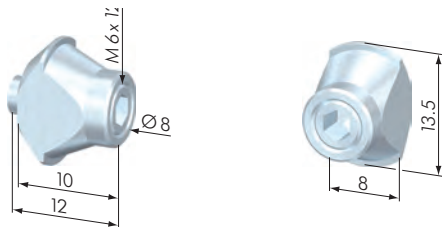
SV3200N



SV3202N



SV3205N



SZ7000N

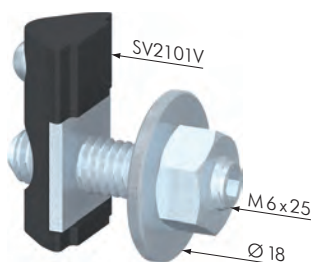


**Potential Equalizers**

Part No	Description	Weight
SZ7000N	Potential Equalizer 40	4.7 g
SZ7001N	Potential Equalizer 30	

**Application:** For the bonding of machine frames. Establishes an electrical conductivity connection between two profiles. The potential equalizer must not be used to carry current or become description of a protective circuit.

**Material:** steel, zinc-plated



SZ6800N

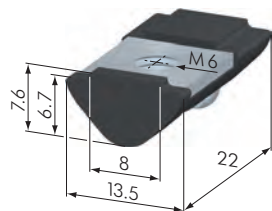


**Earth Connection 40**

Part No	Description	Weight
SZ6800N	Earth Connection 40	4,7 g

**Application:** Terminals for earthing machine frames etc.

- Supply:**
- 1x SSV2101V t-nut steel / plastic M 6
  - 1x grub screw M 6 x 25, DIN 916
  - 1x hexagon nut M 6, DIN 934
  - 1x brass screw 6.4 (M 6), DIN 9021
  - 1x brass lock washer A 6.4, DIN 6798



SV2101V

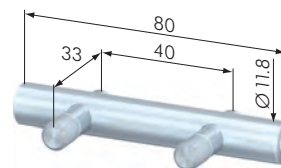
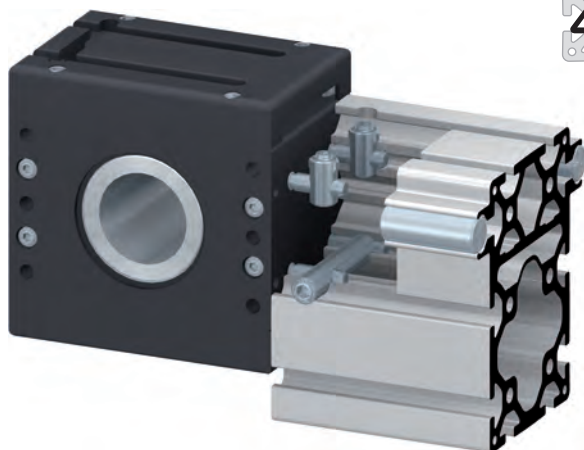


**Special Fastener 120**

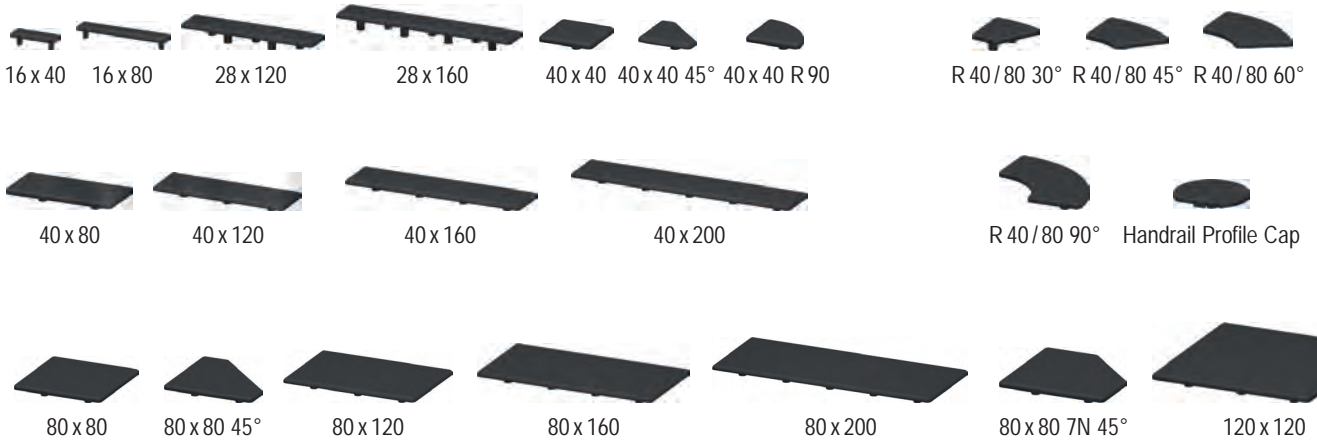
Part No	Description	Weight
SV3100V	Special Fastener 120	76 g

**Application:** Used to attach the pulley assembly SL0680S to track profile SP8900N.

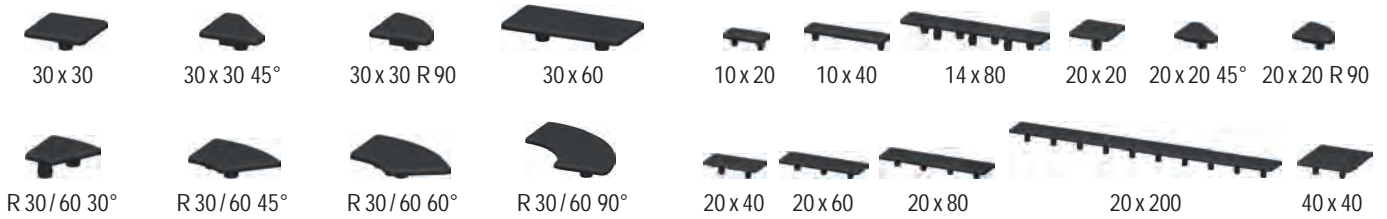
**Material:** steel, zinc-plated



SV3100V



Profile Caps 40



Profile Caps 30

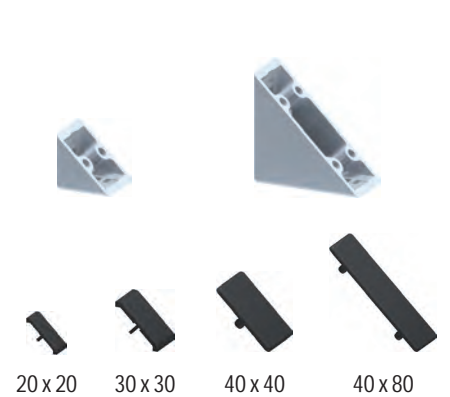
Profile Caps 20



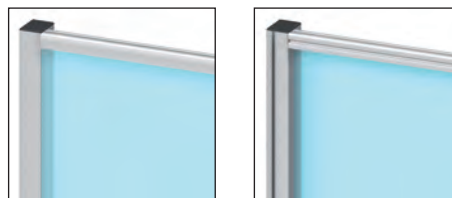
Inch Profile Caps

Corner Fastener Caps 40 x 40

Wiring Duct Caps



Corner Bracket Caps



Protection Wall  
Support Leg Cap 60 x 80



SV Drilling Cap



40x80



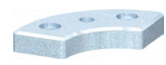
40x120



40x160

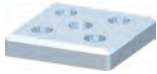


40x200



R 40x80 90°

Foot Plates 40, zinc-plated



80x80



80x80 Edge 7N



80x120



80x160

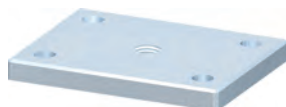


80x200

Foot Plates 80, zinc-plated



120x120



120x160



30x60 midi



60x60 midi



20x40 mini

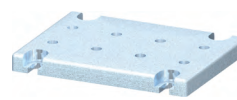


40x40 mini

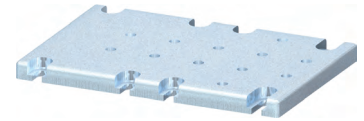
Foot Plates 120, zinc-plated

Foot Plates midi, zinc-plated

Foot Plates mini, zinc-plated



120x160 Ø9



160x240 Ø9

System Plates, zinc-plated



Double Castors Ø75 (braked)



Castor Ø75



Castor Ø125



Castors Ø75 (braked)



Castors Ø125 (braked)



Castors Ø50 (braked)



Castors





M5/L41 M8/L41 M8/L65

Adjustable Feet Ø 29



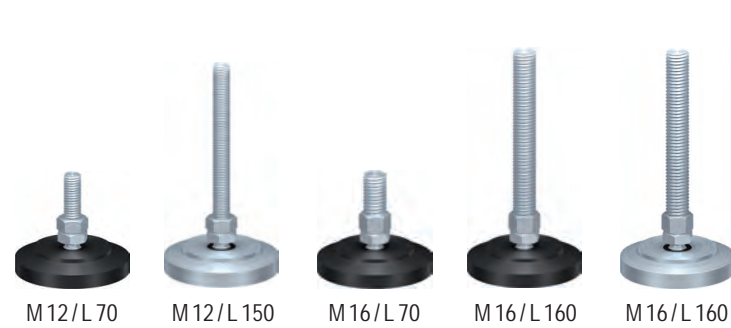
M8/L41 M8/L65 M10/L65

Adjustable Feet Ø 39



M8/L44 M8/L68 M10/L68

Adjustable Feet Ø 54



M12/L70 M12/L150 M16/L70 M16/L160 M16/L160

Adjustable Feet Ø 79



Rubber Boot

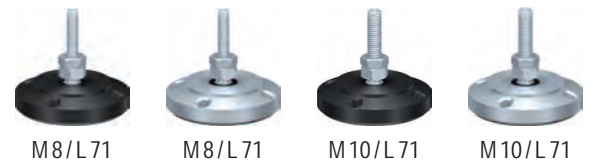


M8/L71 M10/L71 M12/L71 M16/L161

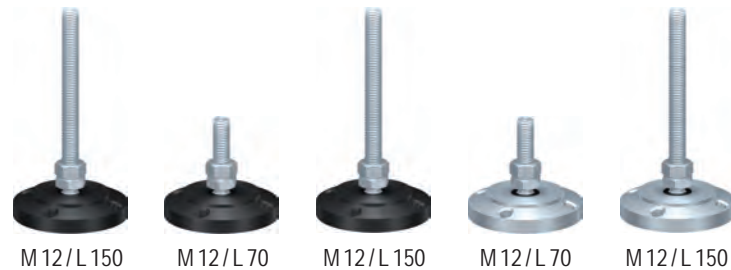
Adjustable Feet Ø 79, with anti-vibration pad



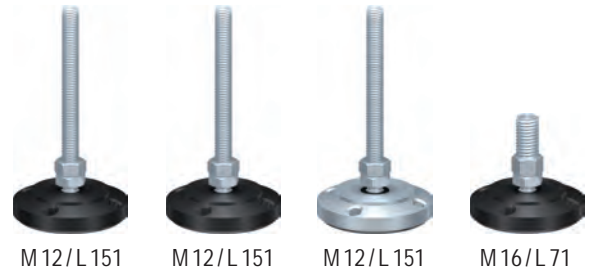
M8/L70 M8/L70 M10/L70 M10/L70 M12/L70



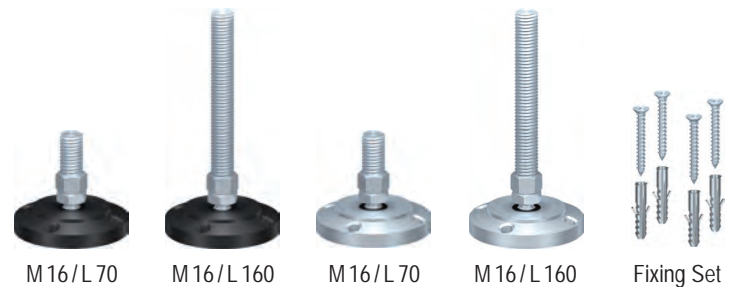
M8/L71 M8/L71 M10/L71 M10/L71



M12/L150 M12/L70 M12/L150 M12/L70 M12/L150

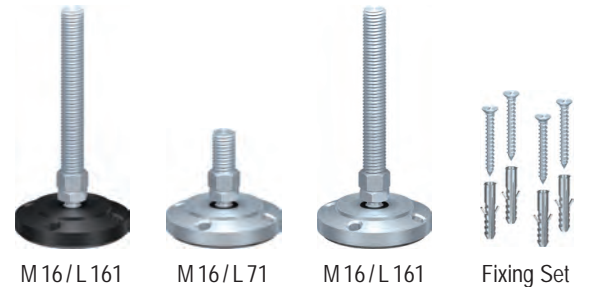


M12/L151 M12/L151 M12/L151 M16/L71



M16/L70 M16/L160 M16/L70 M16/L160 Fixing Set

Adjustable Feet Ø 79, with fixing holes



M16/L161 M16/L71 M16/L161 Fixing Set

Adjustable Feet Ø 79, with fixing holes, anti-vibration pad



M16/L 94



M16/L 165

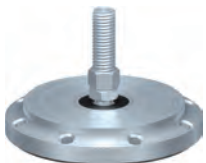
Adjustable Feet Ø 136, with fixing holes



Angle Feet

Angle Feet, adjustable

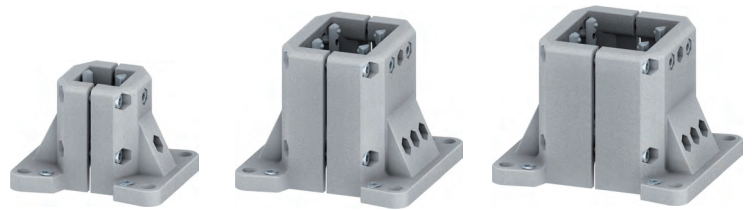
Angle Feet 60 x 120



M16/L 95



M20/L 95



Clamping Feet 40x40, 60x80, 80x80

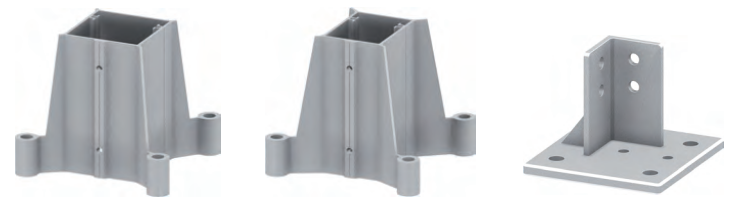


M16/L 166



M20/L 166

Adjustable Feet Ø 136, with fixing holes, anti-vibration pad



Mounting Foot 80 x 80

Mounting Foot 60 x 80

Metal Foot

Mounting Feet



M16/L 95



M20/L 95



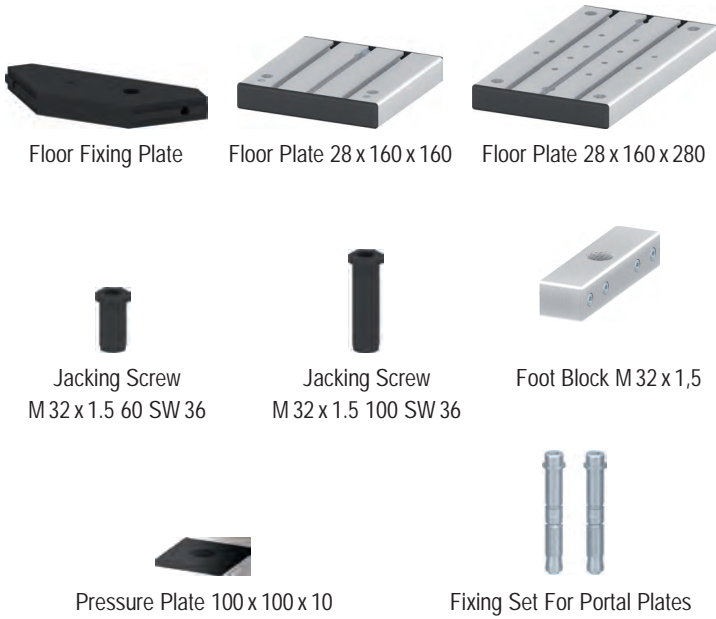
M16/L 166



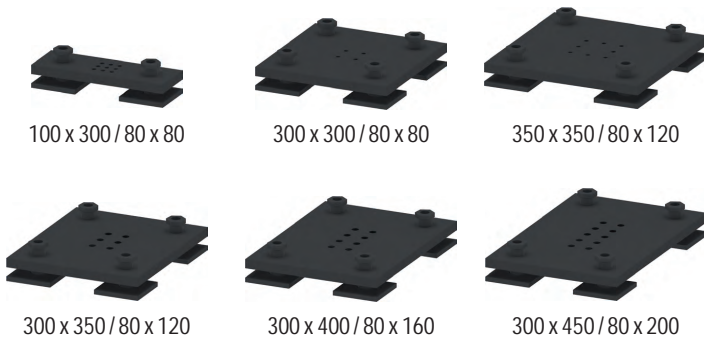
M20/L 166

Adjustable Feet Ø 136 steel, with fixing holes, anti-vibration pad

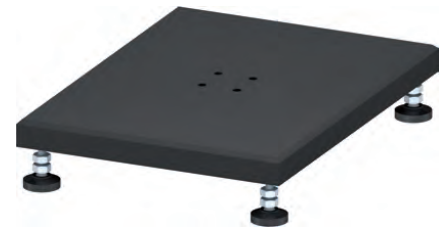
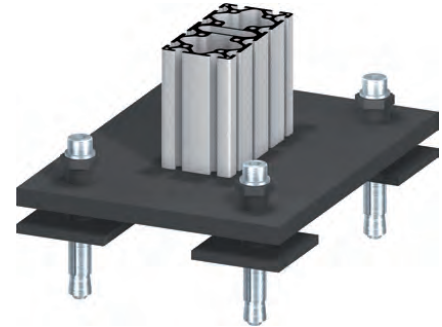
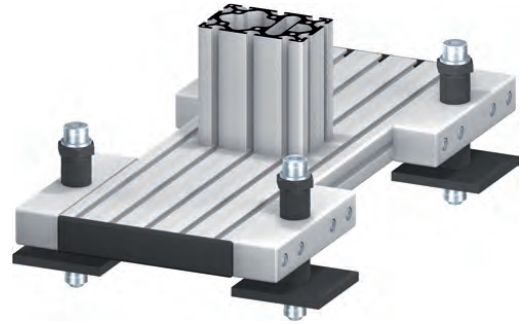




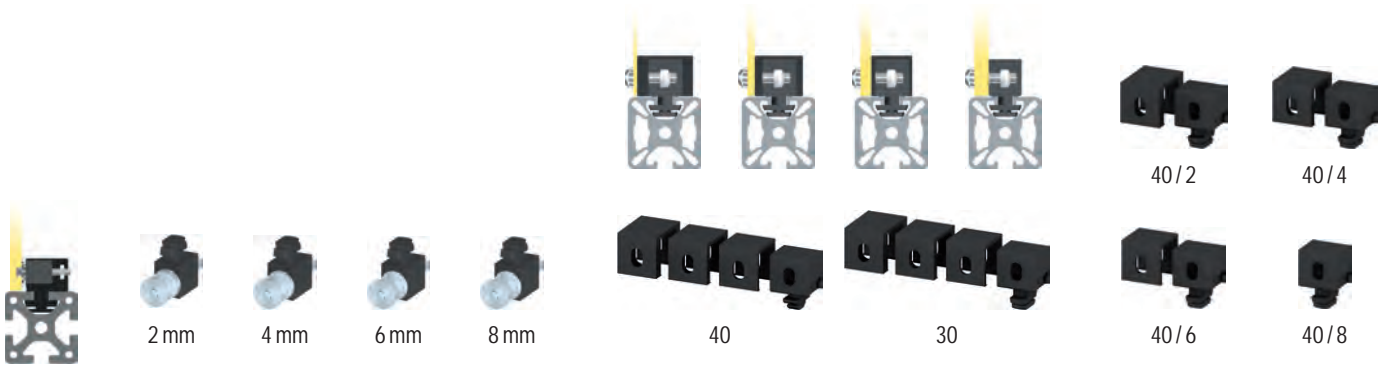
Floor Fixing Elements



Portal Plates



Foot Plate, with four adjustable feet Ø 39



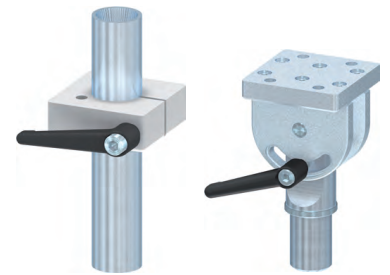
Magnetic Catch Plates

Fixing Blocks vario

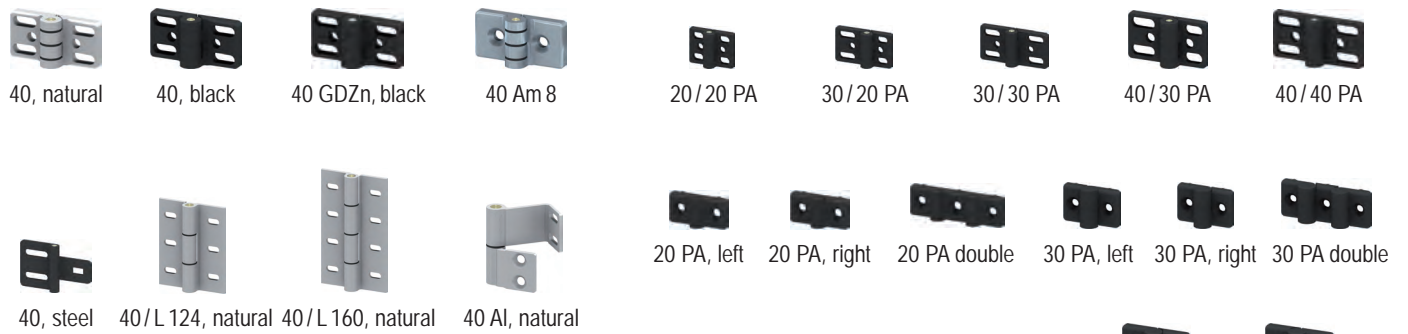
Fixing Blocks



Handles



Adjusting Elements



Hinges 40

Hinges PA



Hinge 30, natural

Hinge 30 VA



Hangers 40

Hangers 40 SVPS



Hangers 40 VU

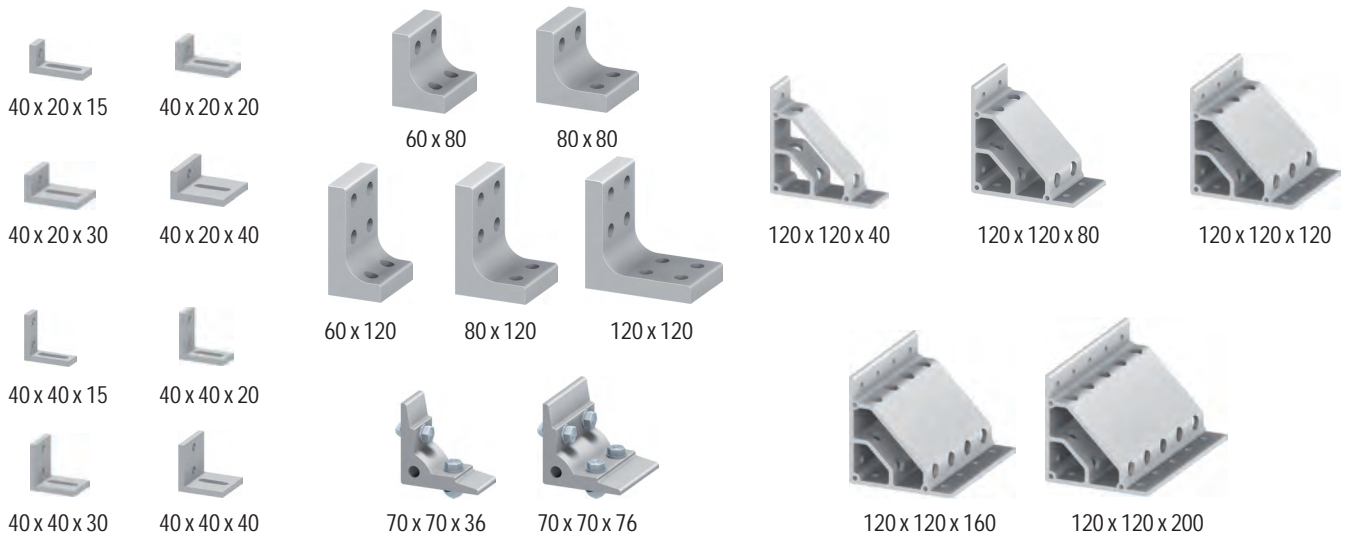


Hangers 30

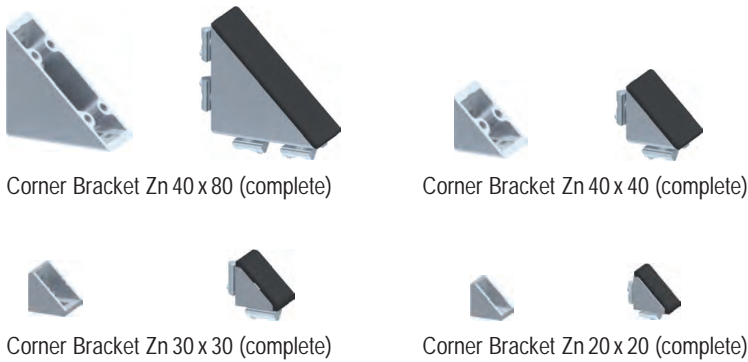


Hangers 20





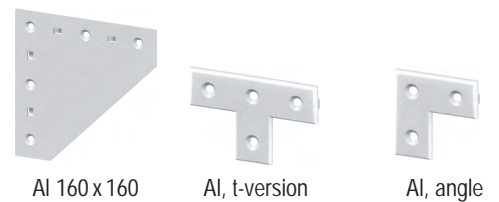
Fixing Angles



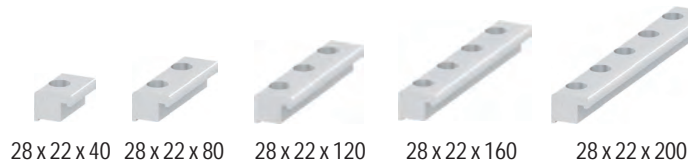
Corner brackets Zn



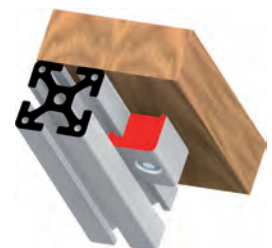
Round Corners

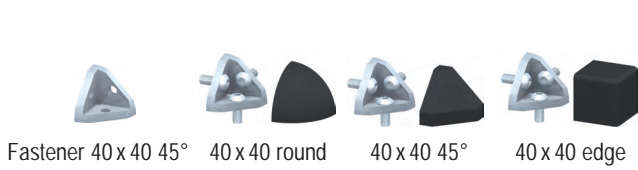


Gusset Plates

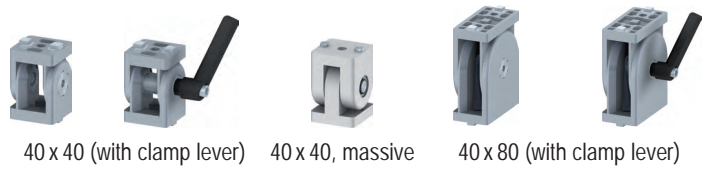


Clamp Angles





Corner Fasteners 40 x 40



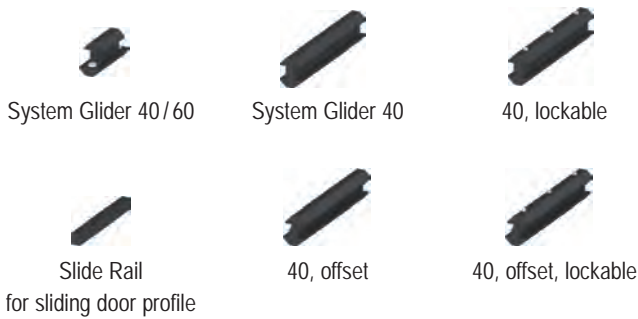
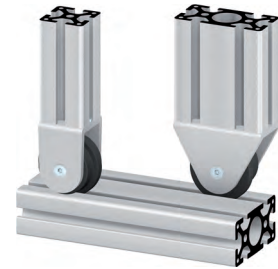
Heavy Duty Joints



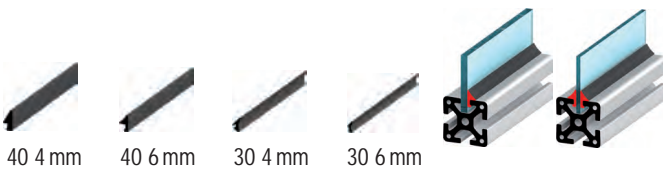
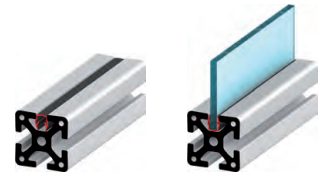
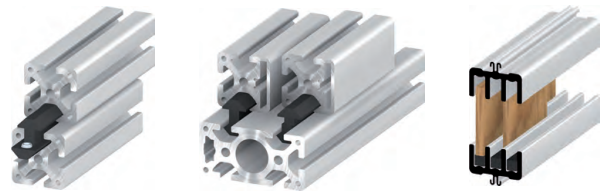
Rollers, POM

Roller Housings

Load Bearing Rollers



System Gliders 40

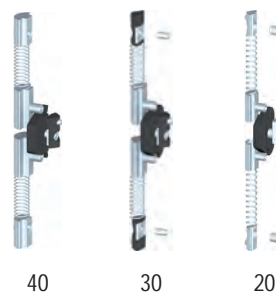


Sealing Rubbers

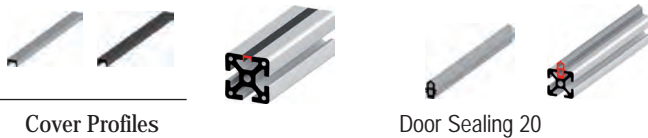
Edging And Cover Profiles



Cover Profiles



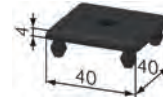
Spring Door Catches



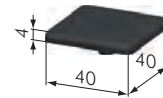
### Profile Caps 40

Part №	Part №	Description	Weight
black:	grey:		
SZ0030S	SZ0030G	Profile Cap 16 x 40	2 g
SZ0031S	-	Profile Cap 16 x 80	5 g
SZ0018S	-	Profile Cap 20 x 120	9 g
SZ0019S	-	Profile Cap 20 x 240	18 g
SZ0042S	-	Profile Cap 28 x 120	12 g
SZ0043S	-	Profile Cap 28 x 160	17 g
SZ0010S	SZ0010G	Profile Cap 40 x 40	5 g
SZ0016S	-	Profile Cap 40 x 40 45°	4 g
SZ0017S	-	Profile Cap 40 x 40 R 90	3 g
SZ0011S	SZ0011G	Profile Cap 40 x 80	8 g
SZ0012S	-	Profile Cap 40 x 120	13 g
SZ0013S	-	Profile Cap 40 x 160	21 g
SZ0014S	-	Profile Cap 40 x 200	33 g
SZ0020S	SZ0020G	Profile Cap 80 x 80	17 g
SZ0023S	-	Profile Cap 80 x 80 45°	15 g
SZ0025S	-	Profile Cap 80 x 120	21 g
SZ0021S	-	Profile Cap 80 x 160	34 g
SZ0022S	-	Profile Cap 80 x 200	44 g
SZ0024S	-	Profile Cap 80 x 80 7N 45°	13 g
SZ0100S	-	Profile Cap 120 x 120	29 g
SZ0026S	SZ0026G	Profile Cap R 40 / 80 30°	4 g
SZ0027S	SZ0027G	Profile Cap R 40 / 80 45°	6 g
SZ0028S	SZ0028G	Profile Cap R 40 / 80 60°	7 g
SZ0029S	SZ0029G	Profile Cap R 40 / 80 90°	11 g
SZ0060S	-	Handrail Profile Cap	6 g
SZ0040S	SZ0040G	Profile Cap 40 x 40 D10	5 g

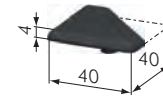
40



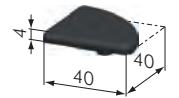
SZ0040S



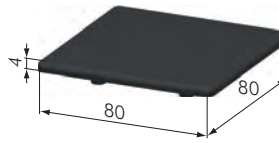
SZ0010S



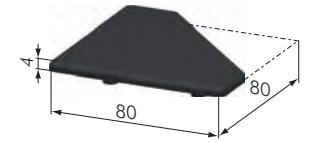
SZ0016S



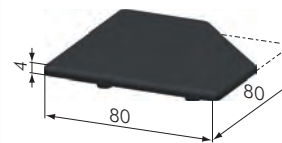
SZ0017S



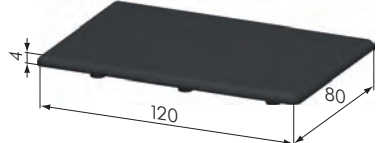
SZ0020S



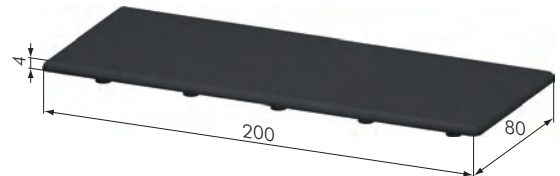
SZ0023S



SZ0024S



SZ0025S



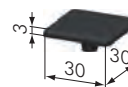
SZ0022S

**Application:** Profile Caps for the profile ranges 40 standard, semi, double bridge, light and superlight.

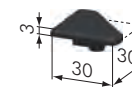
### Profile Caps 30

Part №	Description	Weight
SZ0090S	Profile Cap 30 x 30 midi	2.3 g
SZ0096S	Profile Cap 30 x 30 45° midi	1.8 g
SZ0097S	Profile Cap 30 x 30 R 90 midi	2.0 g
SZ0093S	Profile Cap 30 x 60 midi	5.5 g
SZ0091S	Profile Cap R 30 / 60 30° midi	2.3 g
SZ0092S	Profile Cap R 30 / 60 45° midi	2.5 g
SZ0094S	Profile Cap R 30 / 60 60° midi	2.8 g
SZ0095S	Profile Cap R 30 / 60 90° midi	3.4 g
SZ0059S	Profile Cap Set for handle strip profile 30 x 40	5 g
SZ0089S	Profile Cap 13 x 30 midi	16 g

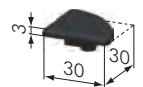
30



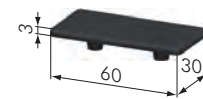
SZ0090S



SZ0096S



SZ0097S



SZ0093S



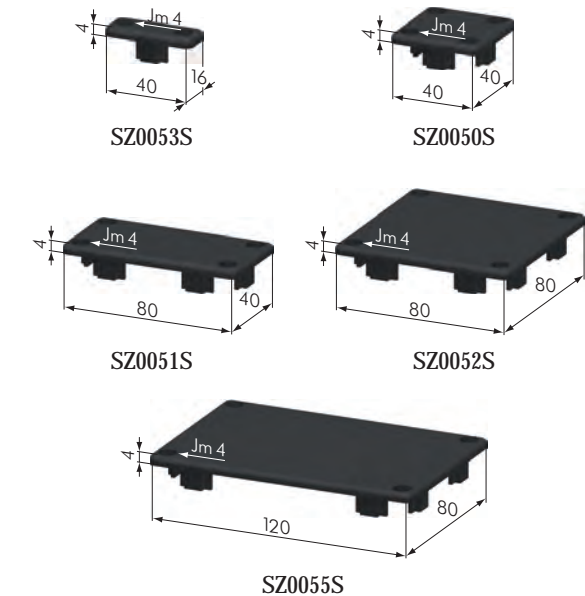
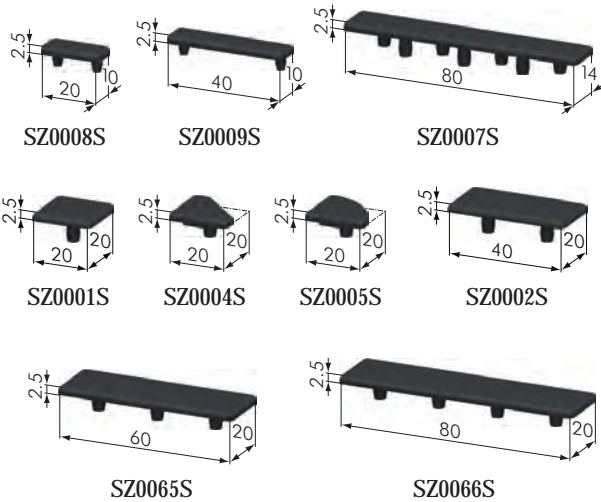
SZ0095S



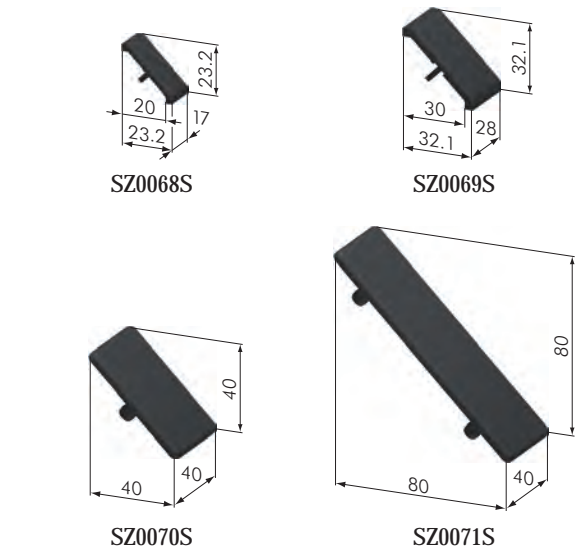
SZ0059S

**Application:** Profile Caps for the profile range 30.

**20**



**40**



**40**

Profile Caps 20		
Part No	Description	Weight
SZ0008S	Profile Cap 10 x 20 mini	0.6 g
SZ0009S	Profile Cap 10 x 40 mini	1.1 g
SZ0007S	Profile Cap 14 x 80 mini	3.3 g
SZ0001S	Profile Cap 20 x 20 mini	1.0 g
SZ0004S	Profile Cap 20 x 20 45° mini	0.7 g
SZ0005S	Profile Cap 20 x 20 R 90 mini	0.8 g
SZ0002S	Profile Cap 20 x 40 mini	1.5 g
SZ0065S	Profile Cap 20 x 60 mini	2.0 g
SZ0066S	Profile Cap 20 x 80 mini	2.5 g
SZ0006S	Profile Cap 20 x 200 mini	7.0 g
SZ0003S	Profile Cap 40 x 40 mini	3.5 g

**Application:** End caps for the profile range 30.

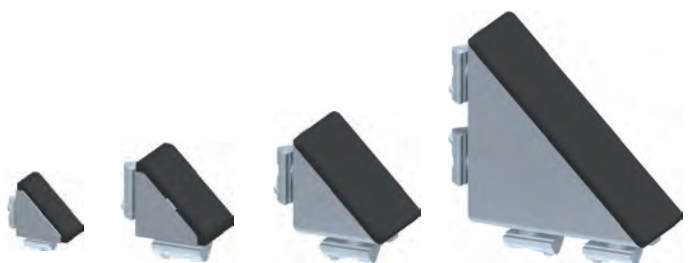
Wiring Duct Caps		
Part No	Description	Weight
SZ0047S	Wiring Duct Cap 30 x 30	
SZ0048S	Wiring Duct Cap 30 x 60	
SZ0049S	Wiring Duct Cap 60 x 60	
SZ0053S	Wiring Duct Cap 16 x 40	3 g
SZ0050S	Wiring Duct Cap 40 x 40	8 g
SZ0051S	Wiring Duct Cap 40 x 80	14 g
SZ0052S	Wiring Duct Cap 80 x 80	30 g
SZ0055S	Wiring Duct Cap 80 x 120	32 g

**Application:** End caps for wiring ducts.

**Supply:** 2x / 4x sheet metal screw ST 4.2x9.5, DIN 7981

Corner Bracket Caps		
Part No	Description	Weight
SZ0068S	Corner Bracket Cap 20 x 20	2 g
SZ0069S	Corner Bracket Cap 30 x 30	4 g
SZ0070S	Corner Bracket Cap 40 x 40	8 g
SZ0071S	Corner Bracket Cap 40 x 80	15 g

**Application:** Caps for corner brackets Zn. The corner brackets Zn are also available in a set with the required caps.

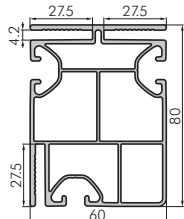




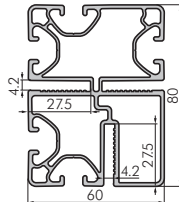
**Protection Wall Support Leg Cap**

Part No	Description	Weight
SZ0082S	Protection Wall Support Leg Cap 60 x 80	15 g

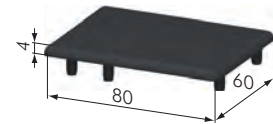
**Application:** End caps for protection wall support leg profiles 60 x 80 and 60 x 80 5N.



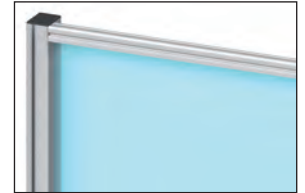
SP6370N  
60 x 80



SP6450N  
60 x 80 5N

**40**


SZ0082S


**Fixing Angle Caps**

Part No	Description	Weight
SZ0075S	Fixing Angle Cap 40 x 40 45°	8 g
SZ0076S	Fixing Angle Cap 40 x 40 round	8 g
SZ0077S	Fixing Angle Cap 40 x 40 edge	16 g

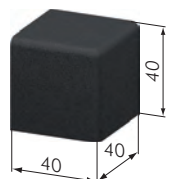
**Application:** Caps for fixing angles 40 x 40 45°. The fixing angles are also available in a set with the required caps.

**40**


SZ0075S



SZ0076S

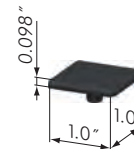


SZ0077S

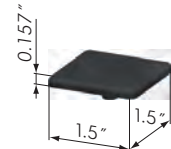
**Inch Profile Caps (only in USA)**

Part No	Description	Weight
SZ0110S	Profile Cap 1.0" x 1.0"	1 g
SZ0112S	Profile Cap 1.5" x 1.5"	5 g
SZ0113S	Profile Cap 1.5" x 3.0"	8 g
SZ0114S	Profile Cap 3.0" x 3.0"	17 g

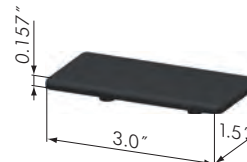
**Application:** End Caps for inch profiles.

**1.5**
**1.0**


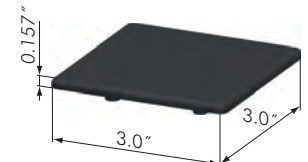
SZ0110S



SZ0112S



SZ0113S

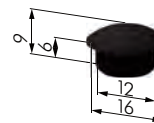


SZ0114S

**Profile Cap for SV drillings**

Part No	Description	Weight
SZ0099S	Profile Cap for SV drillings	2 g

**Application:** For covering profile drillings that occur by assembling SV fasteners.

**40**


SZ0099S

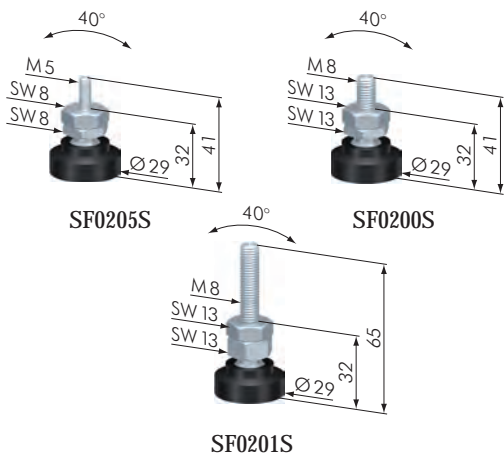

**Cap Automatic connector**

Part No	Description	Weight
SZ0085S	Cap Automatic connector 40	10 g

**Application:** For covering profile drillings that occur by assembling SV fasteners.

**40**


SZ0085S

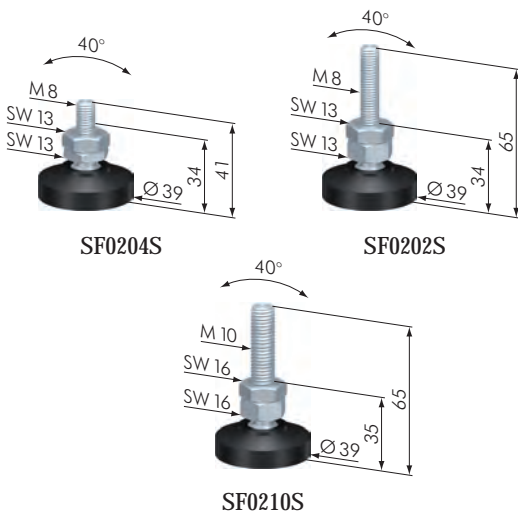


40  
30  
20

Adjustable Feet Ø 29			
Part No	Description	H <sub>min</sub>	Weight
SF0205S	Adjustable Foot Ø 29 M 5 / L 41	32 mm	27 g
SF0200S	Adjustable Foot Ø 29 M 8 / L 41	32 mm	44 g
SF0201S	Adjustable Foot Ø 29 M 8 / L 65	32 mm	50 g

**Application:** Height adjustable foot for leveling machines and structures.  
 Any tipping is compensated by a ball and striker pad.  
 Maximum load: 150 kg

**Material:** pad: POM, black  
 spindle: steel, zinc-plated  
 hexagon nut SW 17: steel, zinc-plated

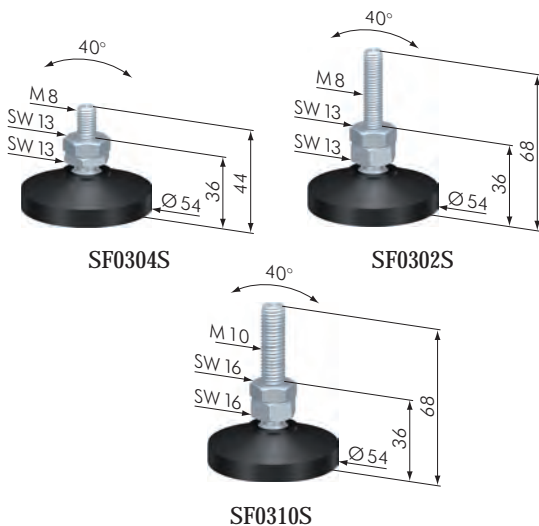


40  
30

Adjustable Feet Ø 39			
Part No	Description	H <sub>min</sub>	Weight
SF0204S	Adjustable Foot Ø 39 M 8 / L 41	34 mm	54 g
SF0202S	Adjustable Foot Ø 39 M 8 / L 65	34 mm	68 g
SF0210S	Adjustable Foot Ø 39 M 10 / L 65	35 mm	75 g

**Application:** Height adjustable foot for leveling machines and structures.  
 Any tipping is compensated by a ball and striker pad.  
 Maximum load: 150 kg

**Material:** pad: POM, black  
 spindle: steel, zinc-plated  
 hexagon nut SW 17: steel, zinc-plated



40  
30

Adjustable Feet Ø 54			
Part No	Description	H <sub>min</sub>	Weight
SF0304S	Adjustable Foot Ø 54 M 8 / L 44	36 mm	72 g
SF0302S	Adjustable Foot Ø 54 M 8 / L 68	36 mm	87 g
SF0310S	Adjustable Foot Ø 54 M 10 / L 68	37 mm	93 g

**Application:** Height adjustable foot for leveling machines and structures.  
 Any tipping is compensated by a ball and striker pad.  
 Maximum load: 150 kg

**Material:** pad: POM, black  
 spindle: steel, zinc-plated  
 hexagon nut SW 17: steel, zinc-plated

**Adjustable Feet Ø 79**

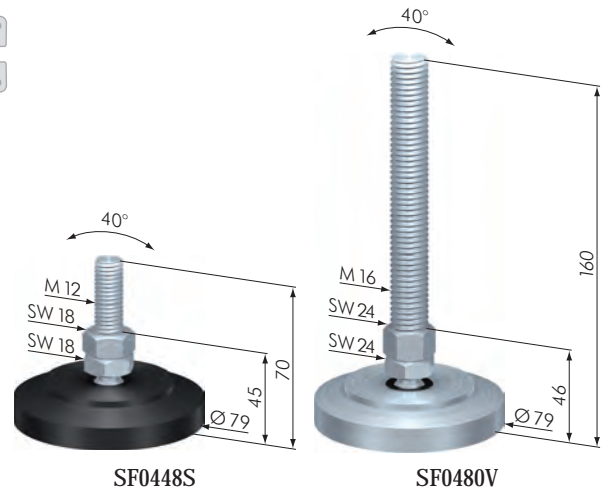
Part No	Description	H <sub>min</sub>	Weight
SF0448S	Adjustable Foot Ø 79 M 12 PS L 70	45 mm	174 g
SF0470V	Adjustable Foot Ø 79 M 12 SV L 150	45 mm	657 g
SF0450S	Adjustable Foot Ø 79 M 16 PS L 70	46 mm	191 g
SF0464S	Adjustable Foot Ø 79 M 16 PS L 160	46 mm	196 g
SF0480V	Adjustable Foot Ø 79 M 16 SV L 160	46 mm	737 g



**Application:** Height adjustable foot for leveling machines and structures.  
Any tipping is compensated by a ball and striker pad.  
Maximum load: 750 kg

**Material:** pad: PS POM, black  
SV steel, zinc-plated  
spindle: steel, zinc-plated  
hexagon nut: steel, zinc-plated

**Acc.:** SZ1701S rubber boot Ø 79



**Adjustable Feet Ø 79 with fixing holes**

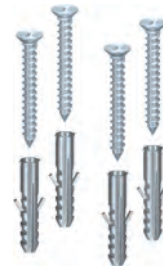
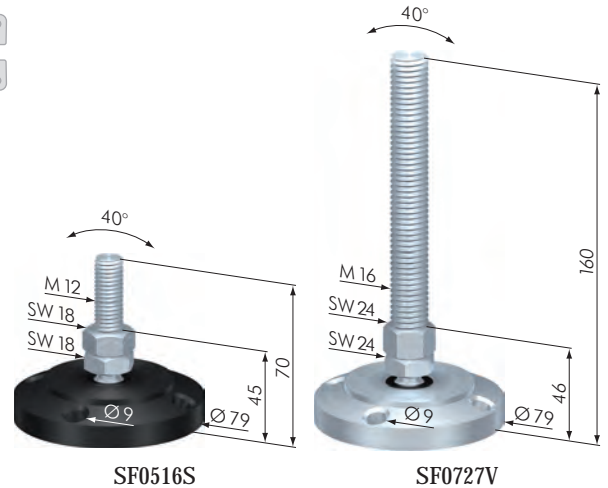
Part No	Description	H <sub>min</sub>	Weight
SF0417S	Adjustable Foot Ø 79 M 8 PSB/L 70	40 mm	144 g
SF0415V	Adjustable Foot Ø 79 M 8 SVB/L 70	40 mm	546 g
SF0429S	Adjustable Foot Ø 79 M 10 PSB/L 70	40 mm	150 g
SF0427V	Adjustable Foot Ø 79 M 10 SVB/L 70	40 mm	552 g
SF0516S	Adjustable Foot Ø 79 M 12 ASB/L 70	45 mm	247 g
SF0616S	Adjustable Foot Ø 79 M 12 ASB/L 150	45 mm	302 g
SF0517S	Adjustable Foot Ø 79 M 12 PSB/L 70	45 mm	170 g
SF0617S	Adjustable Foot Ø 79 M 12 PSB/L 150	45 mm	225 g
SF0515V	Adjustable Foot Ø 79 M 12 SVB/L 70	45 mm	574 g
SF0615V	Adjustable Foot Ø 79 M 12 SVB/L 150	45 mm	630 g
SF0529S	Adjustable Foot Ø 79 M 16 PSB/L 70	46 mm	190 g
SF0729S	Adjustable Foot Ø 79 M 16 PSB/L 160	46 mm	307 g
SF0527V	Adjustable Foot Ø 79 M 16 SVB/L 70	46 mm	590 g
SF0727V	Adjustable Foot Ø 79 M 16 SVB/L 160	46 mm	700 g
SF0750V	Adjustable Foot Ø 79 M 16 VAB/L 160	46 mm	727 g
SF0760V	Adjustable Foot Ø 79 M 20 VAB/L 160	46 mm	861 g
SZ1700V	Fixing Set For Adjustable Feet		3 g



**Application:** Height adjustable foot for leveling machines and structures.  
Any tipping is compensated by a ball and striker pad.  
Maximum load: 750 kg

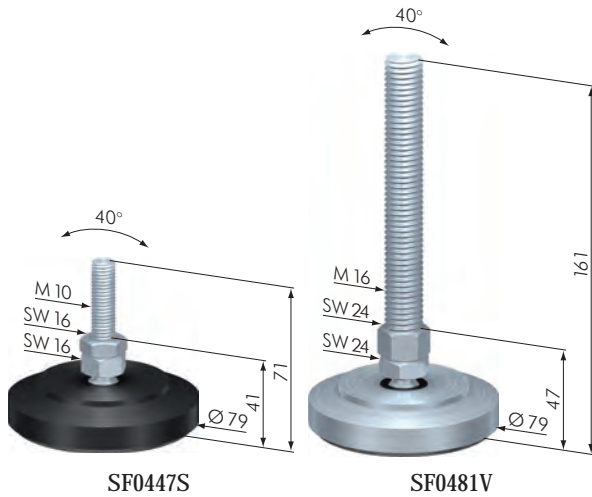
**Material:** pad: PSB POM, black; with fixing holes  
SVB steel, zinc-plated; with fixing holes  
VAB stainless-steel; with fixing holes  
AVB aluminum, black anodized; with fixing holes  
spindle: steel, zinc-plated  
hexagon nut: steel, zinc-plated

**Acc.:** SZ1700V fixing set for adjustable feet  
SZ1701S rubber boot Ø 79



SZ1700V

40

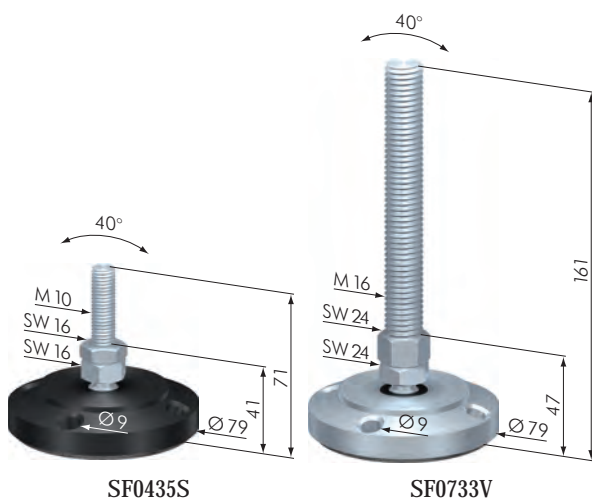


Ø 79 with anti-vibration pad			
Part No	Description	H <sub>min</sub>	Weight
SF0443S	Adjustable Foot Ø 79 M 8 PSD / L 71	41 mm	153 g
SF0447S	Adjustable Foot Ø 79 M 10 PSD / L 71	41 mm	162 g
SF0449S	Adjustable Foot Ø 79 M 12 PSD / L 71	46 mm	179 g
SF0481V	Adjustable Foot Ø 79 M 16 SVD / L 161	47 mm	692 g
SF0483V	Adjustable Foot Ø 79 M 20 SVD / L 236		940 g

**Application:** Height adjustable foot for leveling machines and structures.  
Any tipping is compensated by a ball and striker pad.  
Maximum load: 750 kg

**Material:** pad: PSD POM, black; with anti-vibration pad  
SVD steel, zinc-plated; with anti-vibration pad  
spindle: steel, zinc-plated  
hexagon nut: steel, zinc-plated

40

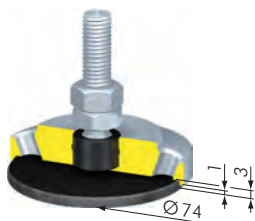


Ø 79 with anti-vibration pad and fixing holes			
Part No	Description	H <sub>min</sub>	Weight
SF0423S	Adjustable Foot Ø 79 M 8 PSDB / L 71	41 mm	151 g
SF0421V	Adjustable Foot Ø 79 M 8 SVDB / L 71	41 mm	508 g
SF0435S	Adjustable Foot Ø 79 M 10 PSDB / L 71	41 mm	157 g
SF0433V	Adjustable Foot Ø 79 M 10 SVDB / L 71	41 mm	513 g
SF0722S	Adjustable Foot Ø 79 M 12 ASDB / L 151	46 mm	229 g
SF0723S	Adjustable Foot Ø 79 M 12 PSDB / L 151	46 mm	232 g
SF0721V	Adjustable Foot Ø 79 M 12 SVDB / L 151	46 mm	582 g
SF0535S	Adjustable Foot Ø 79 M 16 PSDB / L 71	47 mm	195 g
SF0735V	Adjustable Foot Ø 79 M 16 SVDB / L 161	47 mm	314 g
SF0533V	Adjustable Foot Ø 79 M 16 SVDB / L 71	47 mm	551 g
SF0733V	Adjustable Foot Ø 79 M 16 SVDB / L 161	47 mm	670 g
SZ1700V	Fixing Set For Adjustable Feet		3 g

**Application:** Height adjustable foot for leveling machines and structures.  
Any tipping is compensated by a ball and striker pad.  
Maximum load: 750 kg

**Material:** pad: PSDB POM, black; with anti-vibr. pad / fixing holes  
SVDB steel, zinc-plated; with anti-vibr. pad / fixing holes  
ASDB aluminum, black anodized;  
with anti-vibr. pad / fixing holes  
spindle: steel, zinc-plated  
hexagon nut: steel, zinc-plated

**Acc.:** SZ1700V fixing set for adjustable feet



Anti-vibration pad

40



SZ1701S

Rubber Boot Ø 79		
Part No	Description	Weight
SZ1701S	Rubber Boot Ø 79	24 g

**Application:** The anti-vibration boots are used with adjustable feet Ø 79.

**Material:** rubber, black

### Adjustable Foot Ø 119 with fixing holes

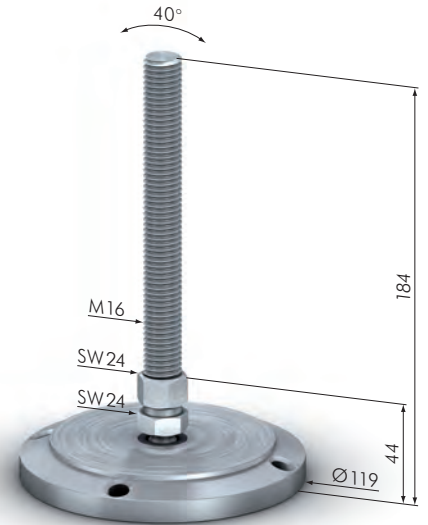
Part No	Description	H <sub>min</sub>	Weight
SF0770V	Adjustable Foot Ø 119 M 16 VAB / L 151	44 mm	1.5 kg

40

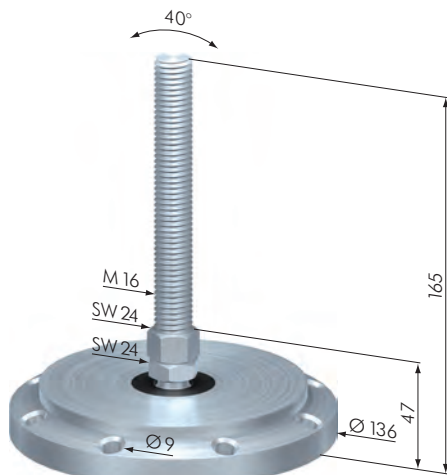
**Application:** Height adjustable foot for leveling machines and structures.  
Any tipping is compensated by a ball and striker pad.  
Maximum load: 1300 kg

**Material:** pad: VAB stainless-steel; with fixing holes  
spindle: steel, zinc-plated  
hexagon nut: steel, zinc-plated

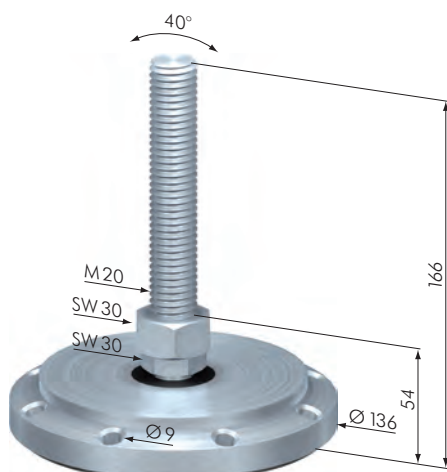
**Acc.:** SZ1700V fixing set for adjustable feet



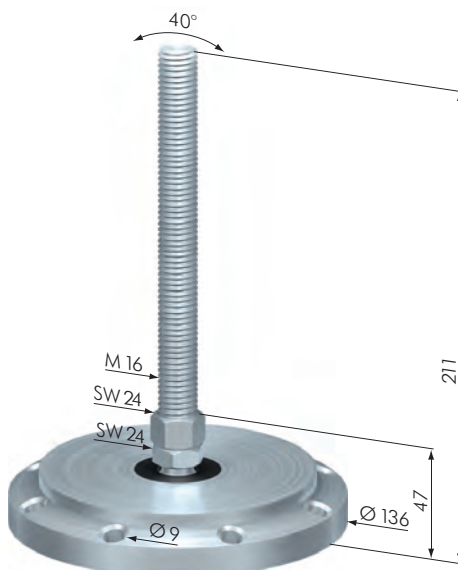
SF0770V



SF0918V



SF0931V



SF0923V



**Ø 136 with fixing holes**

Part No	Description	H <sub>min</sub>	Weight
SF0818V	Adjustable Foot Ø 136 M 16 SVB / L 94	47 mm	2.15 kg
SF0918V	Adjustable Foot Ø 136 M 16 SVB / L 165	47 mm	2.26 kg
SZ1700V	Fixing Set For Adjustable Feet		3 g

**Application:** Height adjustable foot for leveling machines and structures. Any tipping is compensated by a ball and striker pad. Maximum load: 1300 kg

**Material:** pad: SVB steel steel, zinc-plated  
striker pad: POM, black  
spindle: steel, zinc-plated  
hexagon nut: steel, zinc-plated

**Acc.:** Two fixing sets SZ1700V are required for adjustable feet Ø 136.



**Ø 136 with anti-vibration pad and fixing holes**

Part No	Description	H <sub>min</sub>	Weight
SF0822V	Adjustable Foot Ø 136 M 16 SVDB / L 95	48 mm	2.02 kg
SF0922V	Adjustable Foot Ø 136 M 16 SVDB / L 166	48 mm	2.11 kg
SF0923V	Adjustable Foot Ø 136 M 16 SVDB / L 211	48 mm	2.19 kg
SF0929V	Adjustable Foot Ø 136 M 20 SVDB / L 95	54 mm	2.10 kg
SF0931V	Adjustable Foot Ø 136 M 20 SVDB / L 166	54 mm	2.23 kg
SZ1700V	Fixing Set For Adjustable Feet		3 g

**Application:** Height adjustable foot for leveling machines and structures. Any tipping is compensated by a ball and striker pad. Maximum load: 1300 kg

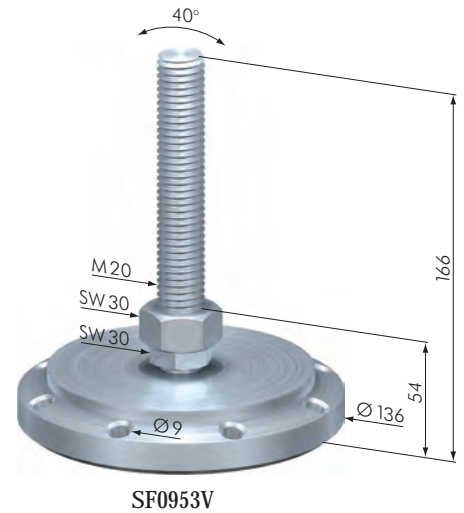
**Material:** pad: SVDB steel, zinc-plated; with anti-vibr. pad / fixing holes  
striker pad: POM, black  
spindle: steel, zinc-plated  
hexagon nut: steel, zinc-plated

**Acc.:** Two fixing sets SZ1700V are required for adjustable feet Ø 136.

**Ø 136 with anti-vibration pad and fixing holes**

Part No	Description	H <sub>min</sub>	Weight
SF0950V	Adj. Foot Ø 136 M 16 SVDB / L 95 St	48 mm	2.04 kg
SF0951V	Adj. Foot Ø 136 M 16 SVDB / L 166 St	48 mm	2.15 kg
SF0952V	Adj. Foot Ø 136 M 20 SVDB / L 95 St	54 mm	2.14 kg
SF0953V	Adj. Foot Ø 136 M 20 SVDB / L 166 St	54 mm	2.27 kg
SZ1700V	Fixing Set For Adjustable Feet		3 g

40

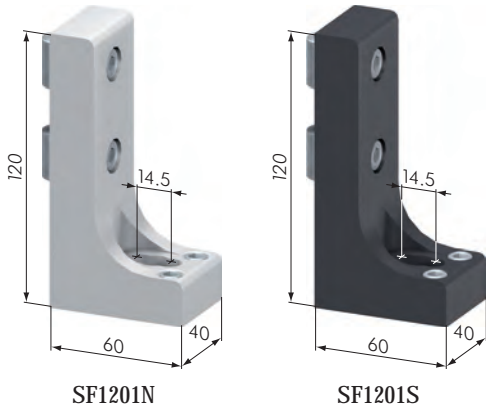


**Application:** Height adjustable foot for leveling machines and structures.  
Any tipping is compensated by a ball and striker pad.  
Maximum load: 2000 kg

**Material:** pad: SVDB steel, zinc-plated;  
with anti-vibration pad / fixing holes  
striker pad: steel, zinc-plated  
spindle: steel, zinc-plated  
hexagon nut: steel, zinc-plated

**Acc.:** Two fixing sets are required  
for adjustable feet Ø 136.

**40**



SF1201N

SF1201S



SZ1710V

Angle Feet AI		
Part No	Description	Weight
SF1201N	Angle Foot AN	394 g
SF1201S	Angle Foot AS	394 g
SZ1710V	Fixing Set For Angle Feet	3 g

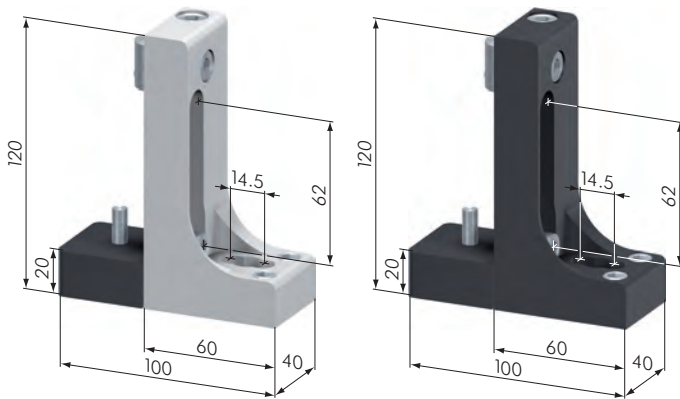
**Application:** For adjusting and fixing machine frames and protection panel support legs to the floor.

**Material:** aluminum, natural or black anodized

**Supply:** 1x angle foot  
 2x t-nut M 8 / ball-type, slide-in  
 2x cap head screw M 8 x 25, DIN 6912  
 2x grub screw M 12 x 20

**Acc.:** SZ1710V floor anchor M 8

**40**



SF1200N

SF1200S

Angle Feet AI, adjustable		
Part No	Description	Weight
SF1200N	Angle Foot AN, adjustable	612 g
SF1200S	Angle Foot AS, adjustable	612 g
SZ1710V	Fixing Set For Angle Feet	3 g

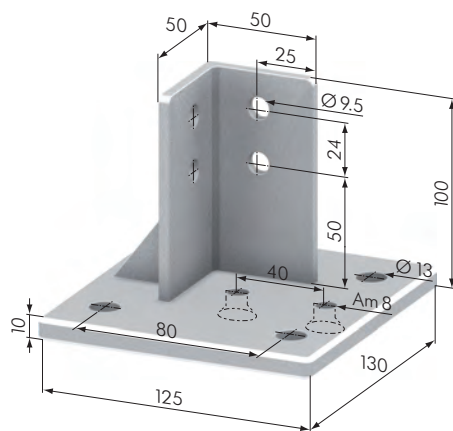
**Application:** For adjusting and fixing machine frames and protection panel support legs to the floor. Vertical adjustment: 62 mm

**Material:** aluminum, natural or black anodized

**Supply:** 1x angle foot  
 2x t-nut M 8 / ball-type, slide-in  
 2x cap head screw M 8 x 25, DIN 6912  
 2x grub screw M 12 x 20

**Acc.:** SZ1710V floor anchor M 8

**40**

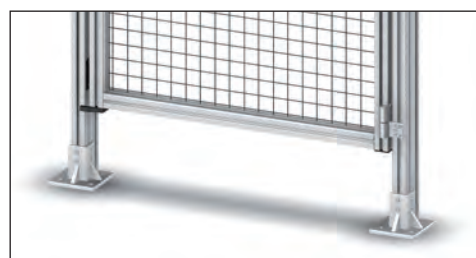


SZ8040N

Metal Foot		
Part No	Description	Weight
SZ8040N	Metal Foot	566 g

**Application:** For fixing protection panel support legs to the floor.

**Material:** GDZn, natural





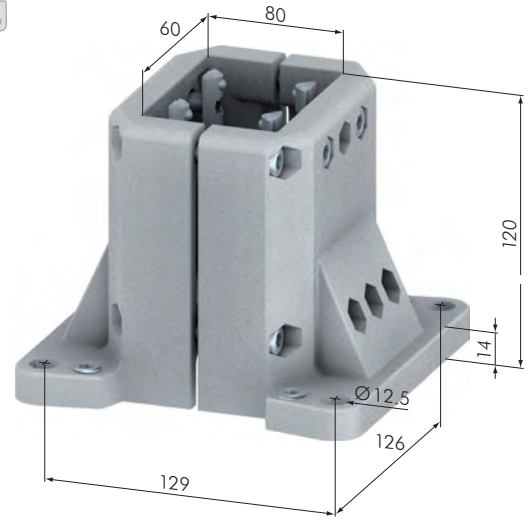
### Clamping Feet

Part No	Description	Weight
SZ8080N	Clamping Foot 40 x 40	0,874 kg
SZ8081N	Clamping Foot 60 x 80	1,556 kg
SZ8082N	Clamping Foot 80 x 80	1,784 kg
SZ1735V	Fixing Set Clamping Foot	0,292 kg

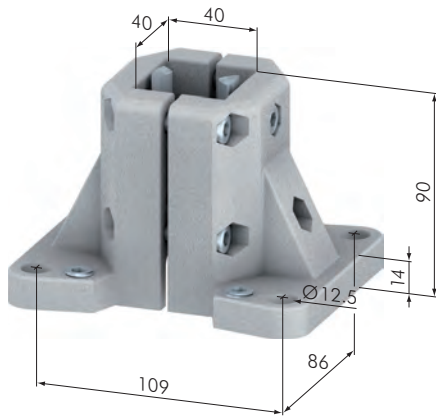
40

**Application:** For adjusting and fixing protection panel support legs to the floor. One fixing set is required per clamping foot.

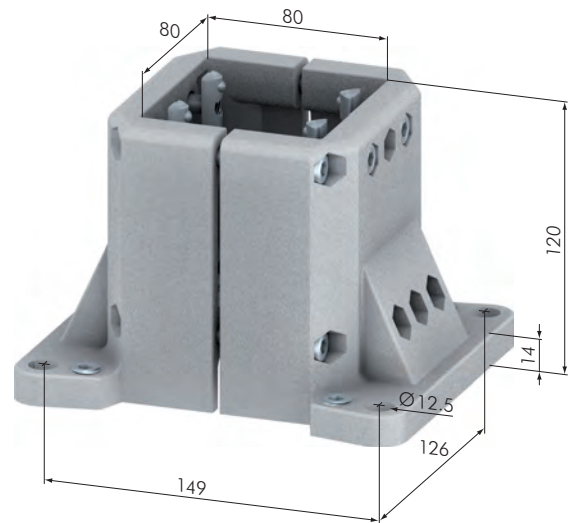
**Material:** GD Al, natural



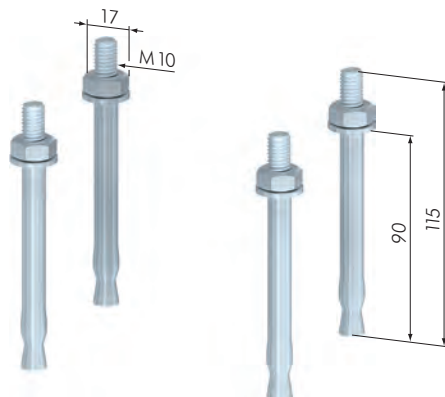
SZ8081N



SZ8080N



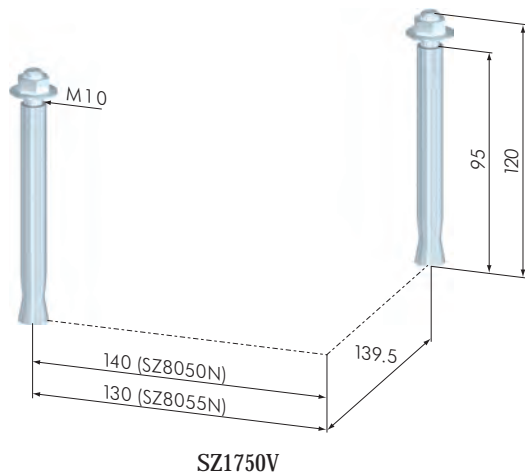
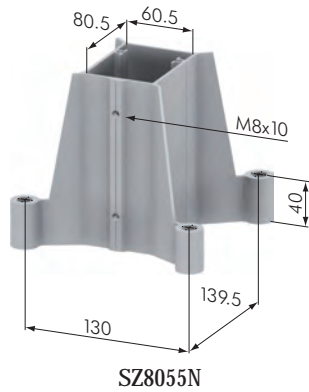
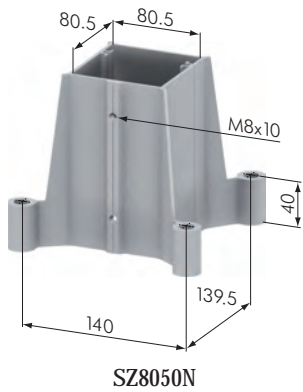
SZ8082N



SZ1735V



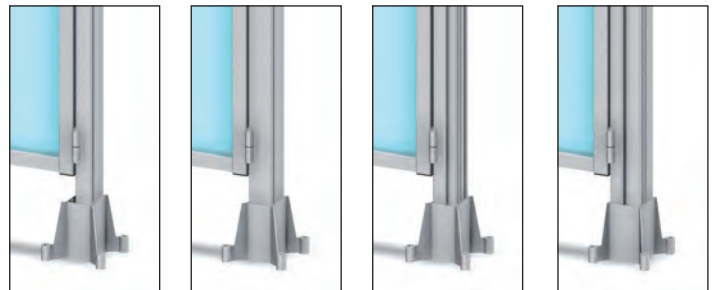
Mounting Feet		
Part N°	Description	Weight
SZ8050N	Mounting Foot 80 x 80	0,896 kg
SZ8055N	Mounting Foot 60 x 80	0,632 kg
SZ1750V	Fixing Set Mounting Feet 60 x 80 and 80 x 80	0,292 kg



**Application:** For fixing protection panel support legs to the floor. One fixing set is required per clamping foot.

**Material:** aluminum, natural anodized

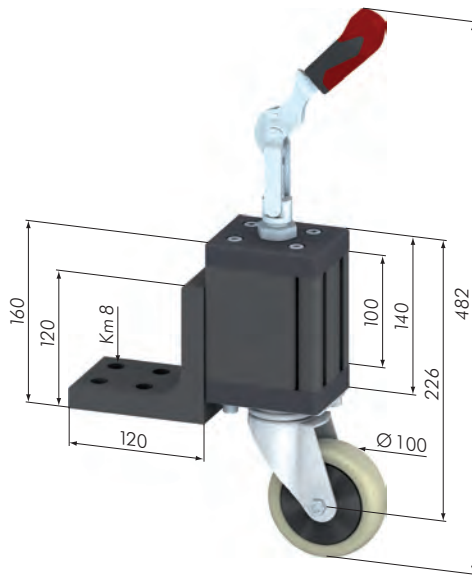
**Supply:** 2x grub screw M 8 x 10



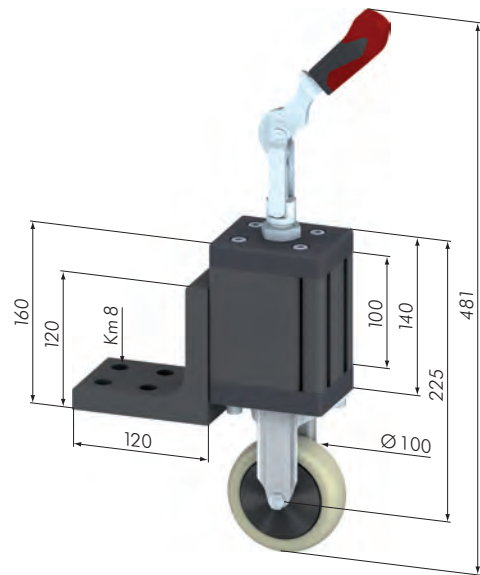
**Lifting Castor Units**

Part N°	Description	Weight	Load
SF2600V	LCU, with steering roller Ø 100	4,5 kg	100 kg
SF2601V	LCU, with trestle roller Ø 100	4,5 kg	100 kg
SF2604V	LCU, with steering roller Ø 125	4,5 kg	300 kg
SF2605V	LCU, with trestle roller Ø 125	4,5 kg	300 kg
SF2606V	LCU, with steering roller Ø 100, compact	4,5 kg	100 kg
SF2607V	LCU, with trestle roller Ø 100, compact	4,5 kg	100 kg

**40**
**Application:** For relocating measurement devices and jigs.

**Material:** aluminum, black anodized


SF2600V

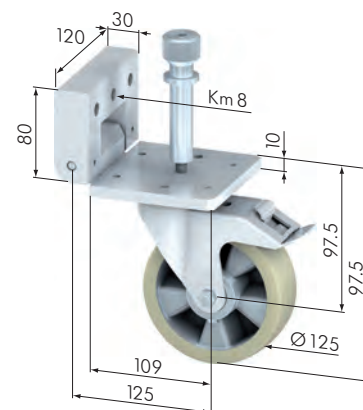


SF2601V

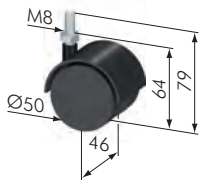
**Hinge Castor**

Part N°	Description	Weight
SF2602V	Hinge Castor	2,734 kg

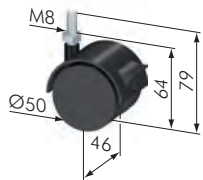
**40**
**Application:** For relocating measurement devices and jigs.

**Material:** steel, zinc-plated


SF2602V



SF2000S



SF2100S

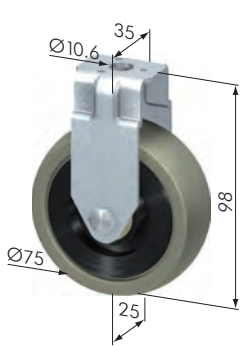


**Castors Ø 50**

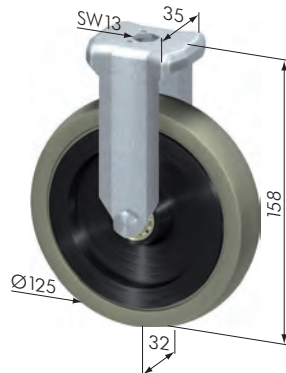
Part No	Description	Weight	Load
SF2000S	Castor Ø 50	74 g	30 kg
SF2100S	Castor Ø 50, braked	83 g	30 kg

**Application:** For carts with small load.  
temperature resistance: -20° to 60°

**Material:** PA, black



SF2200V



SF24001V



**Castors, rubber**

Part No	Description	Weight	Load
SF2200V	Castor Ø 75, rubber	229 g	60 kg
SF2210V	Castor Ø 125, rubber	1000 g	100 kg

**Application:** For carts with heavy load.  
temperature resistance: -20° to 60°

**Material:** housing: steel, zinc-plated



**Double Castors Ø 75, rubber**

Part No	Description	Weight	Load
SF2400V	Double Castor Ø 75, rubber	581 g	80 kg
SF2401V	Double Castor Ø 75, rubber, braked	666 g	80 kg

**Application:** For carts and benches with heavy load.  
temperature resistance: -20° to 60°

**Material:** housing: steel, zinc-plated

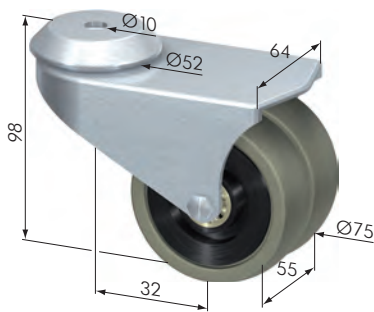


**Steering Castors, rubber**

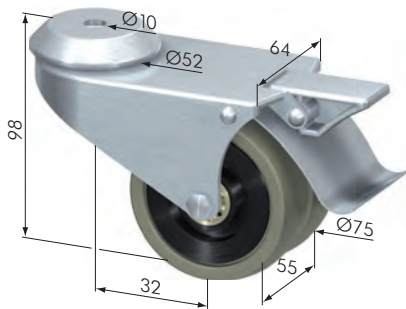
Part No	Description	Weight	Load
SF2300V	Steering Castor Ø 75, rubber	330 g	60 kg
SF2302V	Steering Castor Ø 75, rubber, fixable	340 g	60 kg
SF2310V	Steering Castor Ø 125, rubber	1100 g	100 kg
SF2312V	Steering Castor Ø 125, rubber, fixable	1150 g	100 kg

**Application:** For carts with heavy load.  
temperature resistance: -20° to 60°

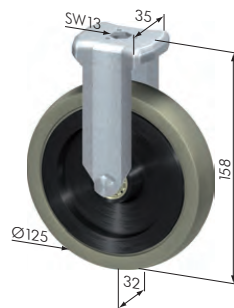
**Material:** housing: steel, zinc-plated



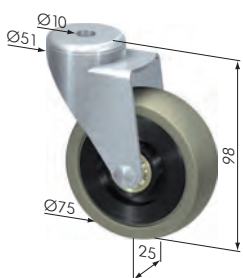
SF2400V



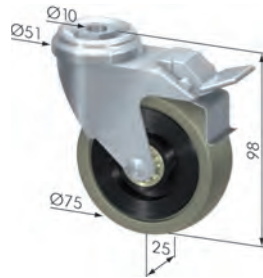
SF2401V



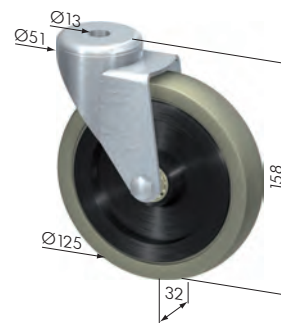
SF2210V



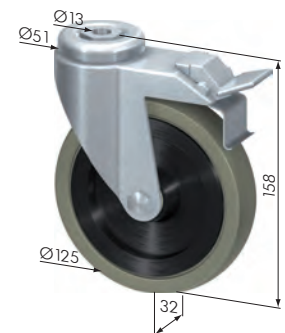
SF2300V



SF2302V



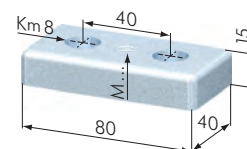
SF2310V



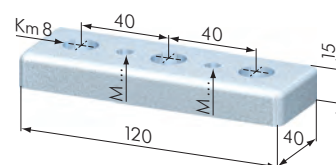
SF2312V

**Foot Plates 40 x 80**

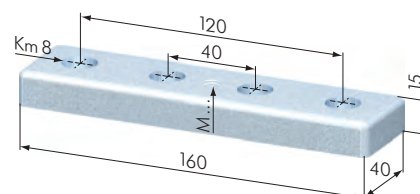
Part N°	Description	Weight
SZ0209V	Foot Plate 40 x 40 M 10, zinc-plated	77 g
SZ0210V	Foot Plate 40 x 80 M 8, zinc-plated	339 g
SZ0212V	Foot Plate 40 x 80 M 10, zinc-plated	335 g
SZ0230V	Foot Plate 40 x 80 M 12, zinc-plated	331 g
SZ0232V	Foot Plate 40 x 80 M 16, zinc-plated	335 g
SZ0233V	Foot Plate 40 x 80 M 20, zinc-plated	308 g


**Foot Plates 40 x 120**

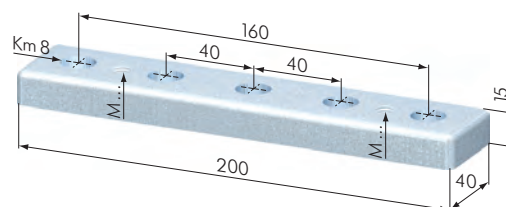
Part N°	Description	Weight
SZ0214V	Foot Plate 40 x 120 M 8, zinc-plated	522 g
SZ0216V	Foot Plate 40 x 120 M 10, zinc-plated	519 g
SZ0234V	Foot Plate 40 x 120 M 12, zinc-plated	515 g
SZ0236V	Foot Plate 40 x 120 M 16, zinc-plated	505 g
SZ0237V	Foot Plate 40 x 120 M 20, zinc-plated	490 g


**Foot Plates 40 x 160**

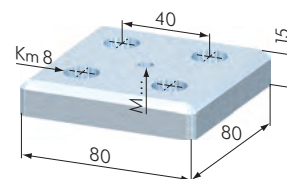
Part N°	Description	Weight
SZ0260V	Foot Plate 40 x 160 M 8, zinc-plated	723 g
SZ0261V	Foot Plate 40 x 160 M 10, zinc-plated	720 g
SZ0262V	Foot Plate 40 x 160 M 12, zinc-plated	716 g
SZ0263V	Foot Plate 40 x 160 M 16, zinc-plated	705 g
SZ0264V	Foot Plate 40 x 160 M 20, zinc-plated	692 g


**Foot Plates 40 x 200**

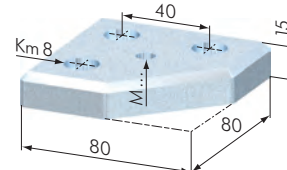
Part N°	Description	Weight
SZ0265V	Foot Plate 40 x 200 M 8, zinc-plated	905 g
SZ0266V	Foot Plate 40 x 200 M 10, zinc-plated	902 g
SZ0267V	Foot Plate 40 x 200 M 12, zinc-plated	898 g
SZ0268V	Foot Plate 40 x 200 M 16, zinc-plated	887 g
SZ0269V	Foot Plate 40 x 200 M 20, zinc-plated	874 g


**Foot Plates 80 x 80**

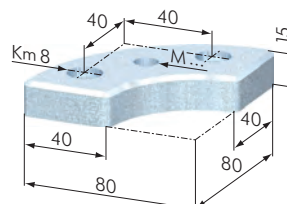
Part N°	Description	Weight
SZ0240V	Foot Plate 80 x 80 M 8, zinc-plated	694 g
SZ0242V	Foot Plate 80 x 80 M 10, zinc-plated	694 g
SZ0220V	Foot Plate 80 x 80 M 12, zinc-plated	694 g
SZ0222V	Foot Plate 80 x 80 M 16, zinc-plated	678 g
SZ0223V	Foot Plate 80 x 80 M 20, zinc-plated	652 g

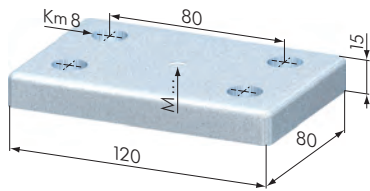

**Foot Plates 80 x 80 Edge 7N**

Part N°	Description	Weight
SZ0255V	Foot Plate 80 x 80 Edge 7N M 8, zinc-plated	654 g
SZ0256V	Foot Plate 80 x 80 Edge 7N M 10, zinc-plated	654 g
SZ0257V	Foot Plate 80 x 80 Edge 7N M 12, zinc-plated	654 g
SZ0258V	Foot Plate 80 x 80 Edge 7N M 16, zinc-plated	638 g
SZ0259V	Foot Plate 80 x 80 Edge 7N M 20, zinc-plated	612 g


**Foot Plates R 40 x 80 90°**

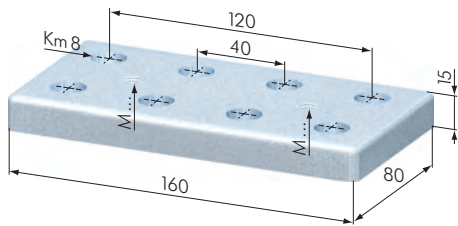
Part N°	Description	Weight
SZ0211V	Foot Plate R 40 x 80 90° M 8, zinc-plated	2,924 kg
SZ0213V	Foot Plate R 40 x 80 90° M 10, zinc-plated	3,850 kg





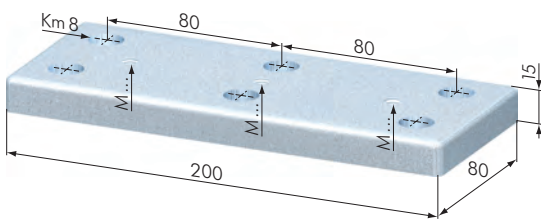
**40**

Foot Plates 80 x 120		
Part No	Description	Weight
SZ0270V	Foot Plate 80 x 120 M 8, zinc-plated	1.08 kg
SZ0271V	Foot Plate 80 x 120 M 10, zinc-plated	1.08 kg
SZ0272V	Foot Plate 80 x 120 M 12, zinc-plated	1.07 kg
SZ0273V	Foot Plate 80 x 120 M 16, zinc-plated	1.05 kg
SZ0274V	Foot Plate 80 x 120 M 20, zinc-plated	1.02 kg



**40**

Foot Plates 80 x 160		
Part No	Description	Weight
SZ0250V	Foot Plate 80 x 160 M 8, zinc-plated	1.39 kg
SZ0252V	Foot Plate 80 x 160 M 10, zinc-plated	1.38 kg
SZ0224V	Foot Plate 80 x 160 M 12, zinc-plated	1.37 kg
SZ0226V	Foot Plate 80 x 160 M 16, zinc-plated	1.35 kg
SZ0227V	Foot Plate 80 x 160 M 20, zinc-plated	1.32 kg

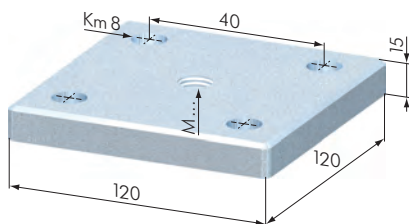


**40**

Foot Plates 80 x 200		
Part No	Description	Weight
SZ0275V	Foot Plate 80 x 200 M 8, zinc-plated	1.81 kg
SZ0276V	Foot Plate 80 x 200 M 10, zinc-plated	1.80 kg
SZ0277V	Foot Plate 80 x 200 M 12, zinc-plated	1.80 kg
SZ0278V	Foot Plate 80 x 200 M 16, zinc-plated	1.77 kg
SZ0279V	Foot Plate 80 x 200 M 20, zinc-plated	1.75 kg

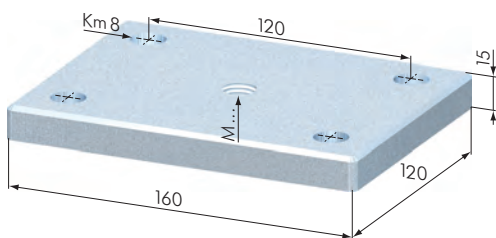
**Application:** Frontal screwing into profiles offers support of ring bolts, castors and adjustable feet.

**Material:** steel, zinc-plated



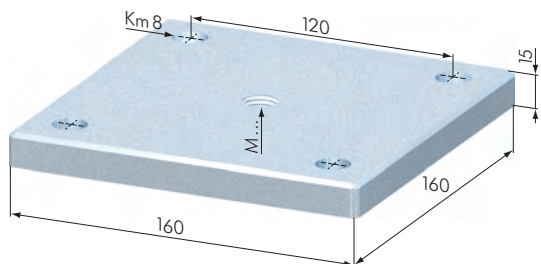
**40**

Foot Plates 120 x 120		
Part No	Description	Weight
SZ0282V	Foot Plate 120 x 120 M 16, zinc-plated	1.59 kg
SZ0283V	Foot Plate 120 x 120 M 20, zinc-plated	1.57 kg



**40**

Foot Plates 120 x 160		
Part No	Description	Weight
SZ0287V	Foot Plate 120 x 160 M 16, zinc-plated	2.17 kg
SZ0288V	Foot Plate 120 x 160 M 20, zinc-plated	2.13 kg



**40**

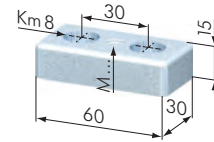
Foot Plates 160 x 160		
Part No	Description	Weight
SZ0280V	Foot Plate 160 x 160 M 16, zinc-plated	2.928 kg
SZ0281V	Foot Plate 160 x 160 M 20, zinc-plated	2.914 kg

**Application:** Frontal screwing into profiles offers support of ring bolts, castors and adjustable feet.

**Material:** steel, zinc-plated

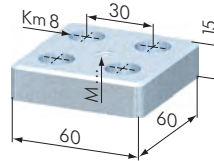
**Foot Plates 30 x 60 midi**

Part N°	Description	Weight
SZ0285V	Foot Plate 30 x 60 midi M 8, zinc-plated	104 g
SZ0286V	Foot Plate 30 x 60 midi M 10, zinc-plated	102 g



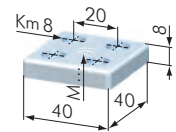
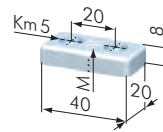
**Foot Plates 60 x 60 midi**

Part N°	Description	Weight
SZ0295V	Foot Plate 60 x 60 midi M 8, zinc-plated	348 g
SZ0296V	Foot Plate 60 x 60 midi M 10, zinc-plated	344 g
SZ0297V	Foot Plate 60 x 60 midi M 12, zinc-plated	342 g
SZ0298V	Foot Plate 60 x 60 midi M 16, zinc-plated	328 g



**Foot Plates 20 x 40 mini**

Part N°	Description	Weight
SZ0200V	Foot Plate 20 x 40 mini M 8, zinc-plated	39 g
SZ0202V	Foot Plate 20 x 40 mini M 10, zinc-plated	37 g
SZ0204V	Foot Plate 40 x 40 mini M 8, zinc-plated	79 g
SZ0206V	Foot Plate 40 x 40 mini M 10, zinc-plated	77 g

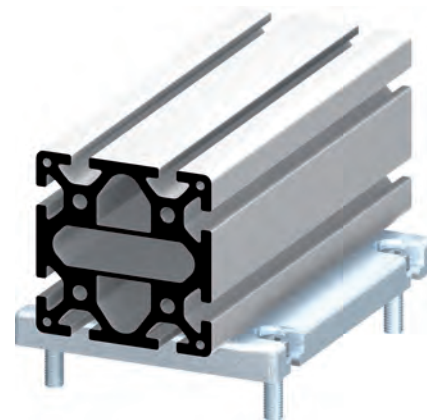


**Application:** Frontal screwing into profiles offers support of ring bolts, castors and adjustable feet.

**Material:** steel, zinc-plated

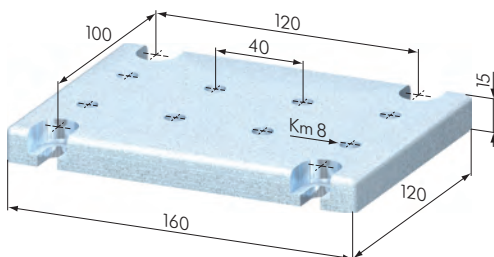
**System Plates**

Part N°	Description	Weight
SZ0160V	System Plate 120 x 160 Ø 9, zinc-plated	2 kg
SZ0166V	System Plate 160 x 240 Ø 9, zinc-plated	4 kg

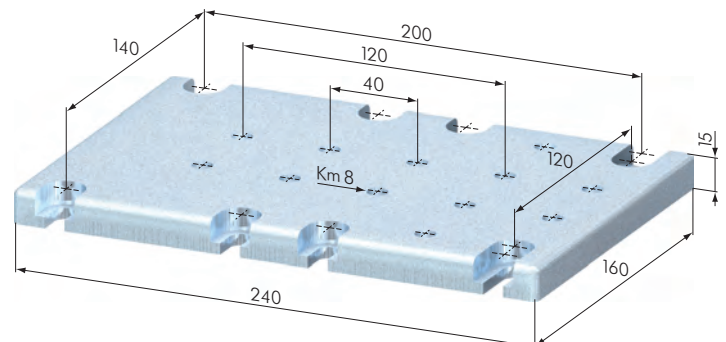


**Application:** For fixing profile structures onto countertops.

**Material:** steel, zinc-plated

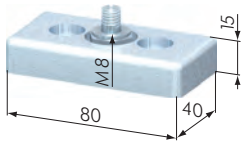


SZ0160V

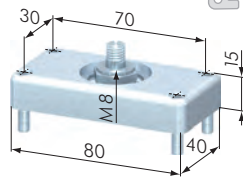


SZ0166V

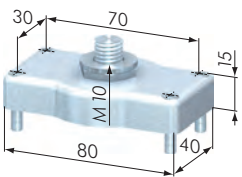
**40**



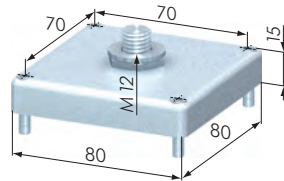
SZ3500V



SZ3510V



SZ3520V

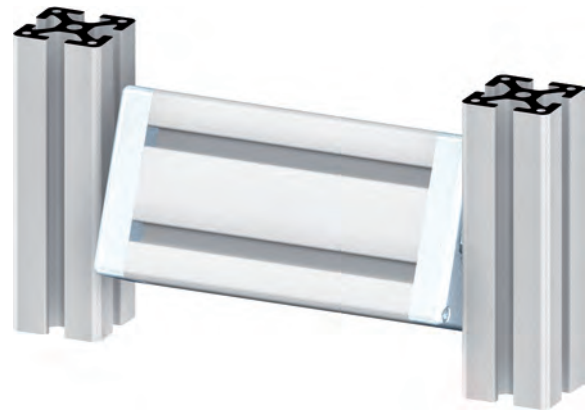


SZ3530V

Bearing Plates		
Part No	Description	Weight
SZ3500V	Bearing Plate 40 x 80 Ø 8	318 g
SZ3510V	Bearing Plate 40 x 80 Ø 10	310 g
SZ3520V	Bearing Plate 40 x 80 Ø 20	163 g
SZ3530V	Bearing Plate 80 x 80 Ø 20	315 g

**Application:** Suitable for holding shafts and axles.

**Material:** steel, zinc-plated

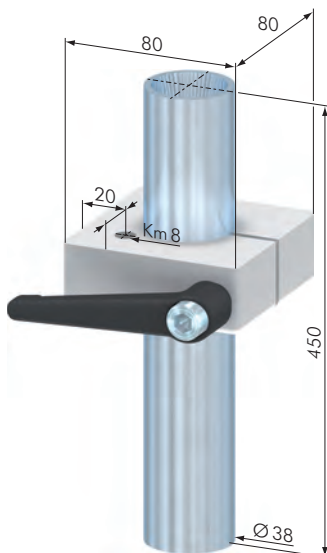


**40**

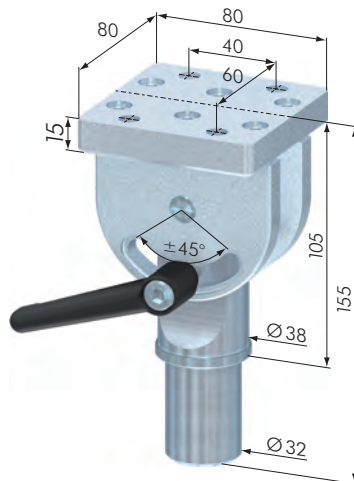
Adjusting Elements		
Part No	Description	Weight
ST3510V	Angle Adjuster	2.2 kg
ST4010V	Vertical Adjuster	1.75 kg

**Application:** Suitable for variable angle adjustments as well as for vertical adjustments.

**Material:** steel, zinc-plated



ST4010V



ST3510V

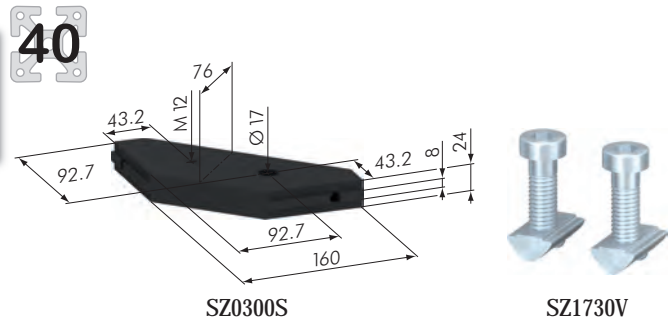


Floor Fixing Plate		
Part No	Description	Weight
SZ0300S	Floor Fixing Plate	760 g
SZ1730V	Fixing Set For Floor Fixing Plate	48 g

**Application:** For fixing racks and frameworks to the floor or to strengthen right-angled connections as additional support.

**Material:** aluminum, black anodized

**Supply:** SZ1730V: 2x cap head screw M8 x 30, DIN 912  
2x t-nut M8 / ball-type, push-in

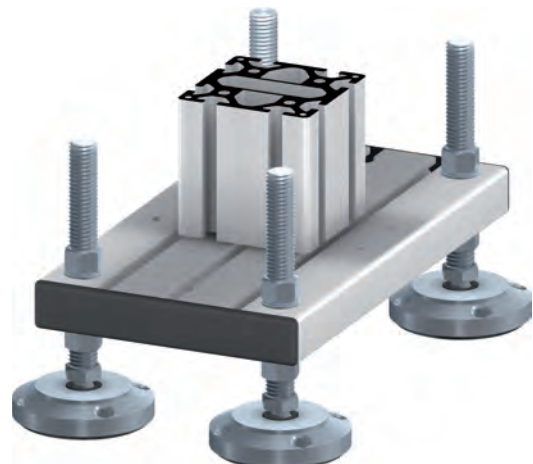
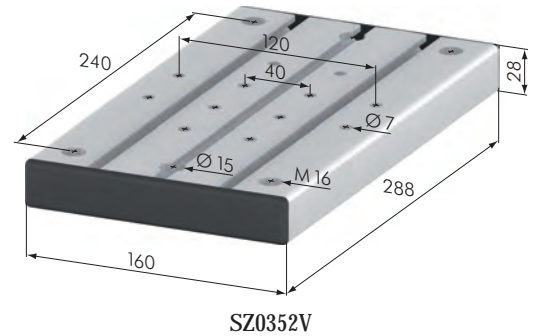
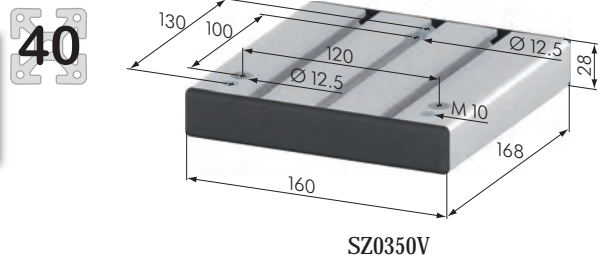


Floor Plates		
Part No	Description	Weight
SZ0350V	Floor Plate 28 x 160 x 160	1.34 kg
SZ0352V	Floor Plate 28 x 160 x 280	2.25 kg

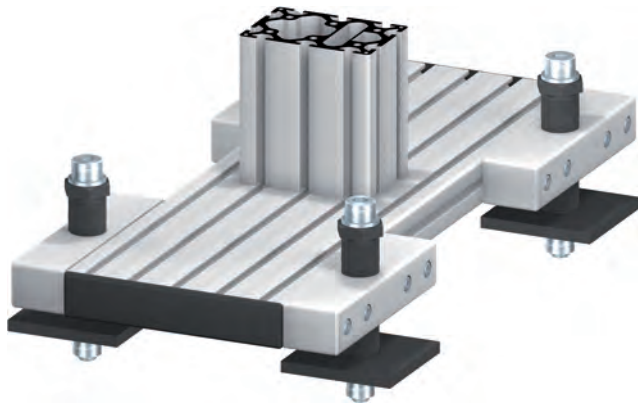
**Application:** For attaching profiles to the floor. Designed to support various sizes of profiles simply by turning the floor plate to match the hole or t-slot pattern.

**Material:** aluminum, natural anodized

**Supply:** Completely pre-machined, with two profile caps 28 x 160.



40



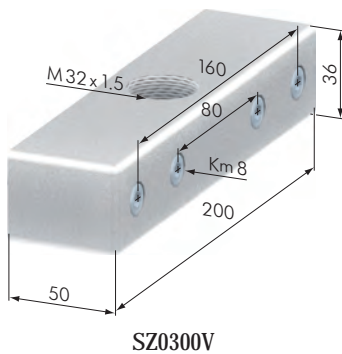
Foot Block, Jacking Screws		
Part No	Description	Weight
SZ0300V	Foot Block M 32 x 1.5	956 g
SZ0310S	Pressure Plate 100 x 100 x 10	742 g
SS3060S	Jacking Screw M 32 x 1.5 60 SW 36	226 g
SS3100S	Jacking Screw M 32 x 1.5 100 SW 36	363 g
SZ1732V	Fixing Set For Portal Plates	158 g

**Application:** Heavy duty fastening of machine frameworks.

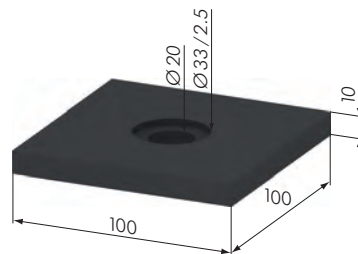
**Material:** foot block: aluminum, natural anodized  
jacking screw: steel, black  
pressure plate: steel, black

**Acc.:** SZ1732V: 2x floor anchor M 12 x 115

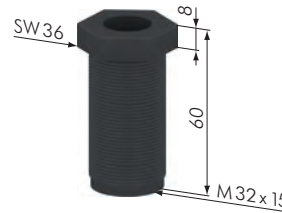
Two fixing sets SZ1732V are required for portal plates with four jacking screws.



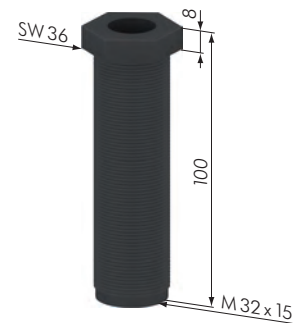
SZ0300V



SZ0310S

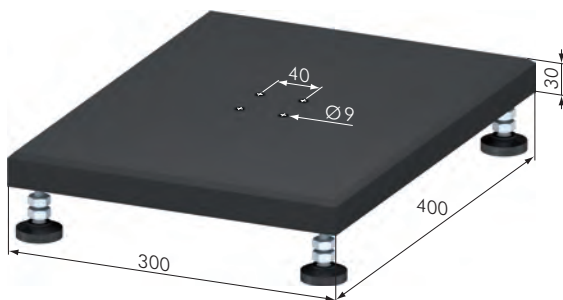


SS3060S



SS3100S

40



ST4500S

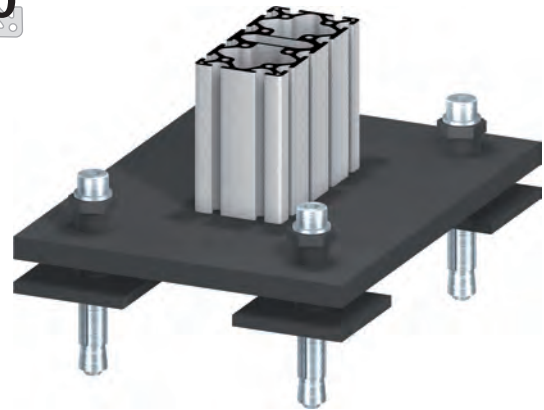
Floor Plate		
Part No	Description	Weight
ST4500S	Foot Plate, with four adjustable feet	10 kg

**Application:** A stable platform for conveyors and machine assemblies.  
The foot plate comes with four adjustable feet Ø 39 M 8 (SF0202S).

**Material:** aluminum, black anodized

**Portal Plates**

Part No	Description	Weight
SZ0321S	Portal Plate 100 x 300 / 80 x 80	9.6 kg
SZ0322S	Portal Plate 300 x 300 / 80 x 80	13.6 kg
SZ0337S	Portal Plate 350 x 350 / 120 x 120	17.6 kg
SZ0325S	Portal Plate 350 x 300 / 80 x 120	15.9 kg
SZ0327S	Portal Plate 400 x 300 / 80 x 160	18.3 kg
SZ0329S	Portal Plate 450 x 300 / 80 x 200	20.6 kg
SZ1732V	Fixing Plate For Portal Plates	158 g

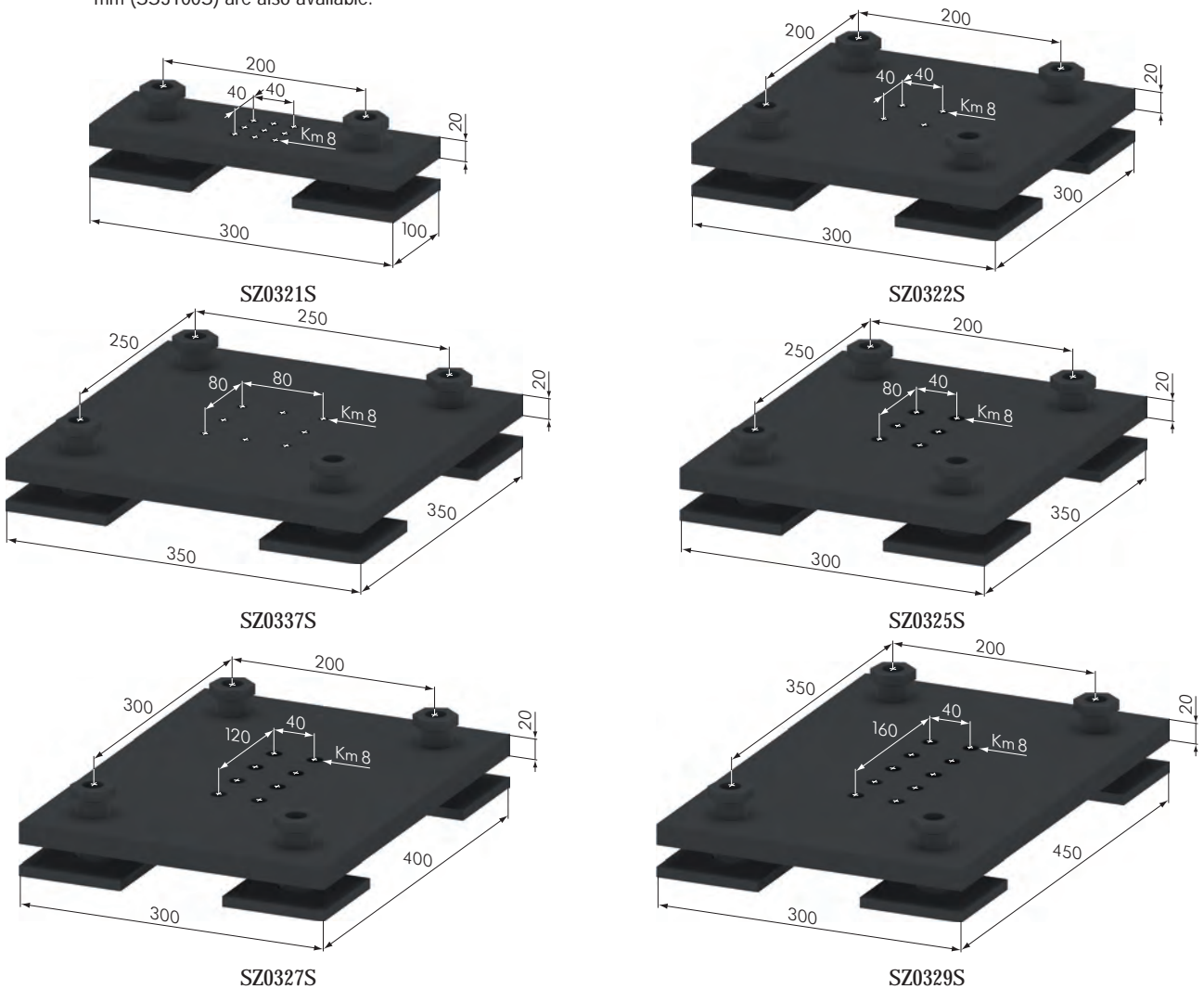


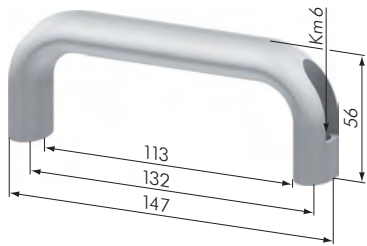
**Application:** Portal plates are used to fix large machine frames or portal robots to the floor.

**Material:** steel, zinc-plated black

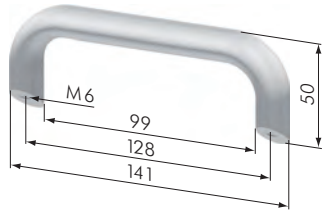
**Supply:** 2x / 4x jacking screw M 32 x 1.5 x 60  
1x pressure plate 100 x 100 x 10 per jacking screw

**Acc.:** SZ1732V: 2x heavy duty dowel M 12 x 115  
Two fixing sets SZ1732V are required for portal plates with four jacking screws. Longer floor anchors with a length of 100 mm (SS3100S) are also available.

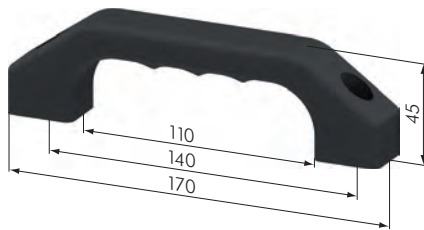




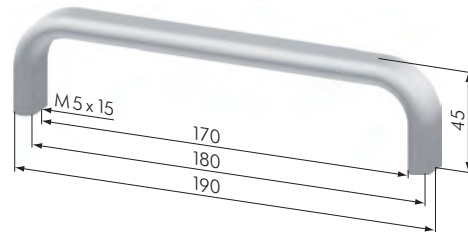
SZ0840N



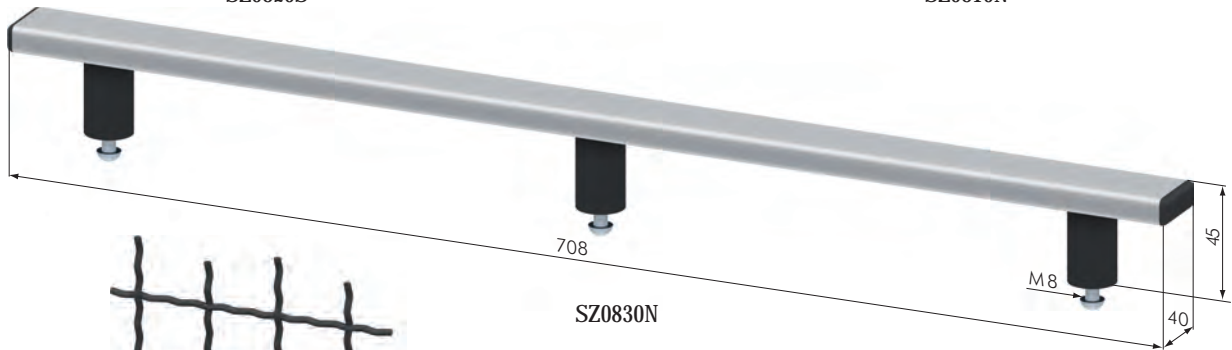
SZ0850N



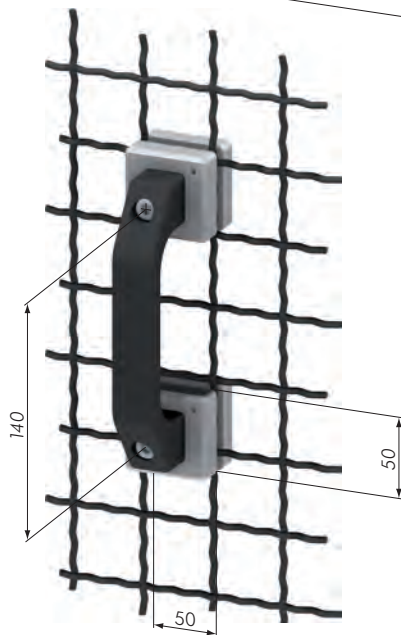
SZ0820S



SZ0810N



SZ0830N



SZ8015N

40  
30  
20

**Handles**

Part No	Description	Weight
SZ0840N	Handle Al/L 147, natural	166 g
SZ0840S	Handle Al/L 147, black	166 g
SZ0850N	Handle Al 55°, natural	115 g
SZ0850S	Handle Al 55°, black	115 g
SZ0860S	Handle Al 145 mm, black	
SZ0830N	Handle Al/L 700	1,100 g
SZ0820S	Handle PA	122 g
SZ0810N	Handle light	100 g

**Application:** Multi-purpose, e.g. for doors and drawers.

**Material:** (see description)  
 Handle Al: aluminum, natural or black anodized  
 Handle light: aluminum, natural anodized  
 Handle PA: ABS

40

**Protection Wall Handle**

Part No	Description	Weight
SZ8015N	Protection Wall Handle	532 g

**Application:** Handle for fixing to wire mesh panels.

**Material:** Handle: PA, black  
 fixing plates: aluminum, natural anodized

**Supply:** 1x SZ0820S handle PA  
 2x fixing plate I, handle  
 2x fixing plate II, handle  
 2x cap head screw M8 x 30  
 4x cap head screw M5 x 30

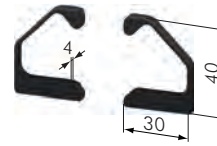
**Handle Strip Profile 30 x 40**

Part No	Description	Length	Weight
SP0591N	Handle Strip Profile 30 x 40	cut	0,81 kg / m
SP0590N3000	Handle Strip Profile 30 x 40	3 m	2,43 kg
SP0590N6000	Handle Strip Profile 30 x 40	6 m	4,86 kg
SZ0059S	Profile Cap Set		2,6 g

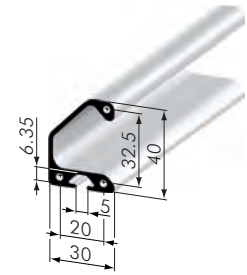
**Application:** Multi-purpose, e.g. for doors and drawers. Has a stabilizing effect when installed on sheet material and protects the fingers.

**Material:** Handle Strip Profile: aluminum, natural anodized  
Profile Cap Set: PA 6, black

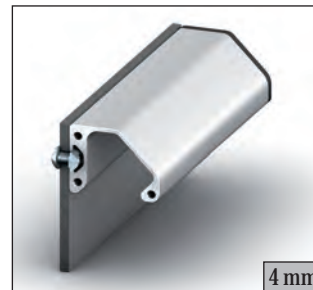
**Acc.:** SV2193V t-nut M5 mini, alternatively  
SV2195V t-nut M5 VA mini  
SS0308V button head screw M5 x 8 (4 mm sheet)  
SS0310V button head screw M5 x 10 (5 mm sheet)  
SS0312V button head screw M5 x 12 (6 mm sheet)  
SS0312V button head screw M5 x 12 (8 mm sheet)  
SS0316V button head screw M5 x 16 (10 mm sheet)

**40**  
**30**


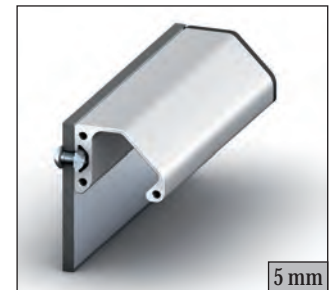
SZ0059S



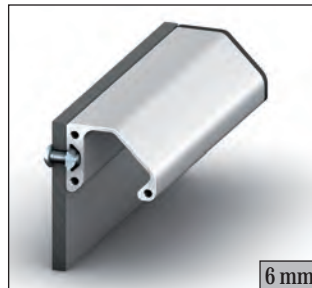
SP0590N



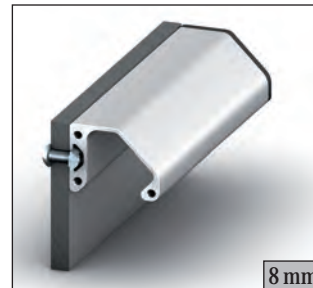
4 mm



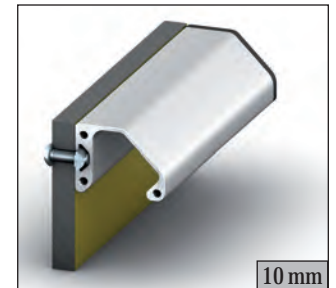
5 mm



6 mm



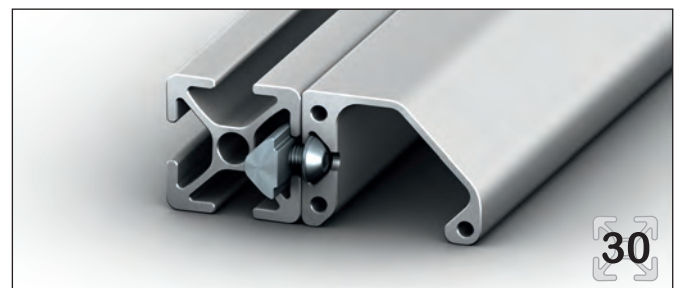
8 mm

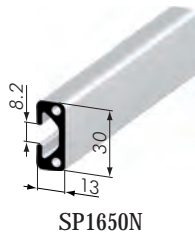


10 mm

**Acc.:** SV2100V t-nut M5 / ball-type, push-in, alternatively  
SV2104V t-nut M5 VA / ball-type, push-in  
SS0312V t-nut M5 x 12 (t-slot series 40)  
SS0310V t-nut M5 x 10 (t-slot series 30)  
SZ8205V washer Ø8

The fastening elements listed here as well as the end cap set are sold separately and are not part of the delivery of the handle strip profile.

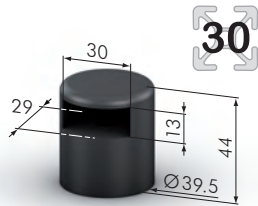
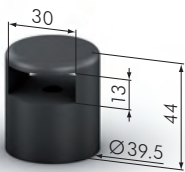

**40**

**30**



Profile 13 x 30			
Part No	Description	Length	Weight
SP1651N	Profile 13 x 30, natural	cut	0,81 kg/m
SP1650N3000	Profile 13 x 30, natural	3 m	2,43 kg
SP1650N6000	Profile 13 x 30, natural	6 m	4,86 kg

**Application:** Universally applicable, e.g. for doors and drawers suitable as a handle strip.

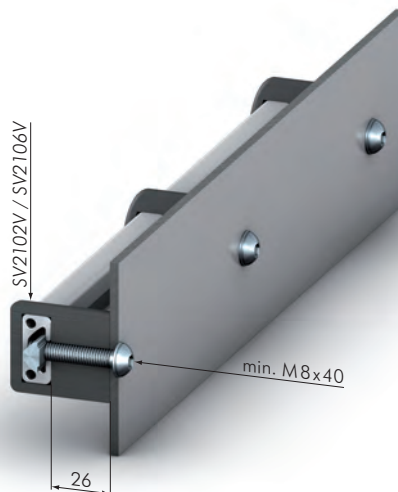
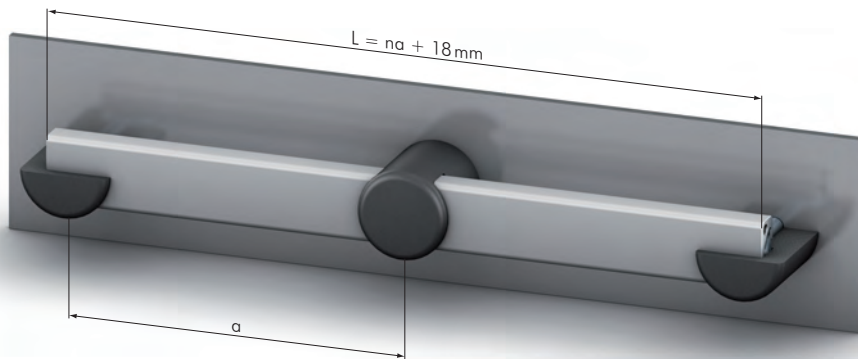
**Material:** aluminum, natural anodized



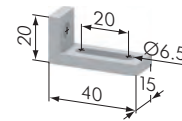
Socket Elements for Profile 13 x 30		
Part No	Description	Weight
SZ5600S	Handle socket middle	54 g
SZ5610S	Handle socket end	59 g

**Application:** Suitable for preparing a handle strip for doors and drawers.

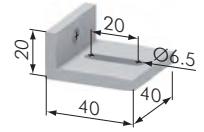
**Material:** POM, black



Fixing Angles 40 x 20		
Part N°	Description	Weight
SZ0910N	Fixing Angle 40 x 20 x 15	9 g
SZ0912N	Fixing Angle 40 x 20 x 20	13 g
SZ0914N	Fixing Angle 40 x 20 x 30	20 g
SZ0916N	Fixing Angle 40 x 20 x 40	27 g

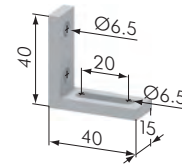


SZ0910N

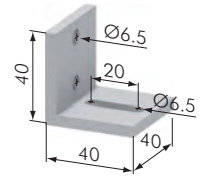


SZ0916N

Fixing Angles 40 x 40		
Part N°	Description	Weight
SZ0920N	Fixing Angle 40 x 40 x 15	12 g
SZ0922N	Fixing Angle 40 x 40 x 20	17 g
SZ0924N	Fixing Angle 40 x 40 x 30	27 g
SZ0926N	Fixing Angle 40 x 40 x 40	37 g



SZ0920N



SZ0926N

**Application:** For right-angled fixing of profiles.

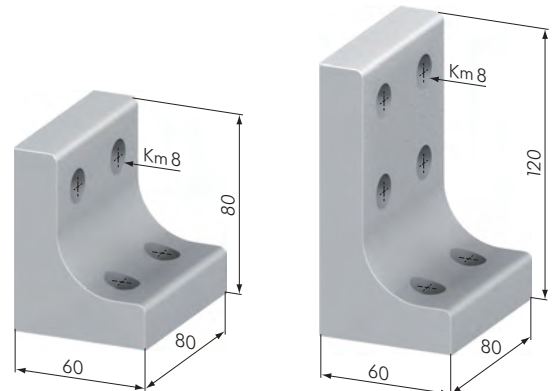
**Material:** aluminum, natural anodized

Fixing Angles		
Part N°	Description	Weight
SZ0980N	Fixing Angle 60 x 80	523 g
SZ0990N	Fixing Angle 60 x 120	683 g
SZ0985N	Fixing Angle 80 x 80	610 g
SZ0995N	Fixing Angle 80 x 120	742 g
SZ0997N	Fixing Angle 120 x 120	930 g



**Application:** For right-angled fixing and stabilizing of profiles.

**Material:** aluminum, natural anodized



SZ0980N

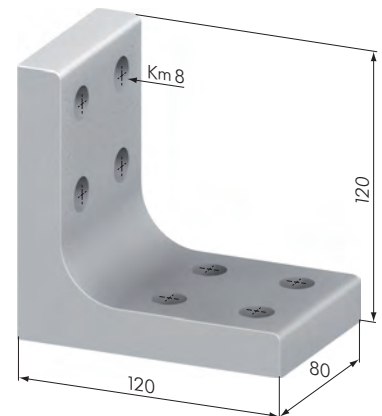
SZ0990N



SZ0985N



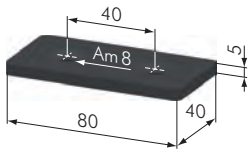
SZ0995N



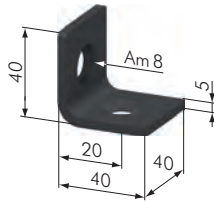
SZ0997N

**40**

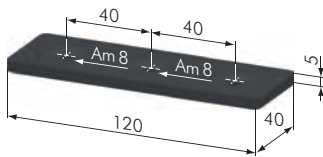
Angle / Strap, steel		
Part No	Description	Weight
SZ0960S	Strap 40 x 80, steel	90 g
SZ0950S	Angle 40 x 40, steel	102 g
SZ0962S	Strap 80 x 80, steel	233 g
SZ0951S	Angle 40 x 40 x 80, steel	205 g
SZ0961S	Strap 40 x 120, steel	



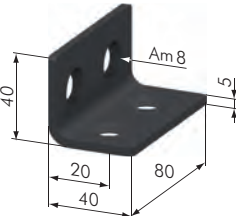
SZ0960S



SZ0950S



SZ0961S



SZ0951S



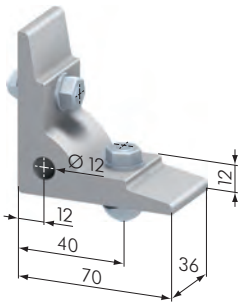
SZ0962S

**Application:** Universally applicable attachment elements for interconnecting profiles.

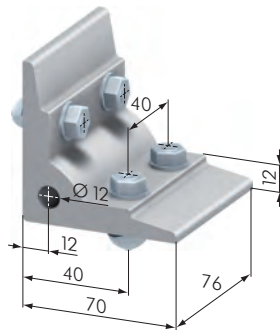
**Material:** steel, black

**40**

Fixing Angles 70 x 70		
Part No	Description	Weight
SZ0940N	Fixing Angle 70 x 70 x 36	166 g
SZ0941N	Fixing Angle 70 x 70 x 76	344 g



SZ0940N

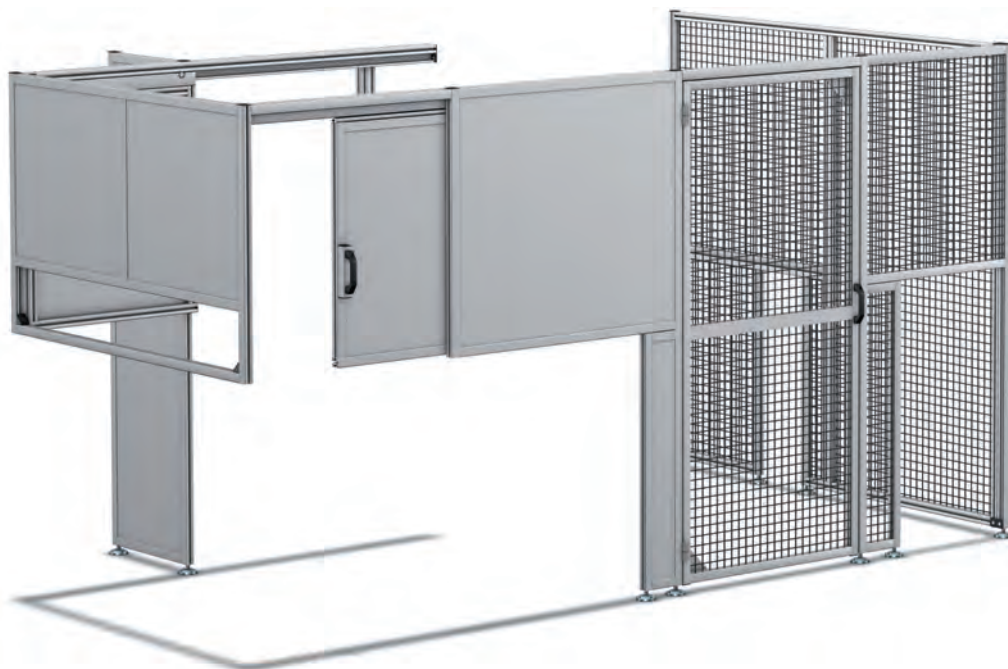


SZ0941N

**Application:** For right-angled fixing of profiles without the need of machining the profiles. Comes with required fixing set.

**Material:** aluminum, natural anodized

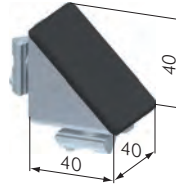
**Supply:** SZ0941N: 4x anchor screw (M 8 x 32)  
 SZ0940N: 2x anchor screw (M 8 x 32)  
 2x anti-twist set screw



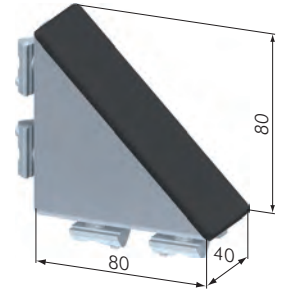


### Corner Brackets Zn 40

Part N <sup>o</sup>	Description	Weight
SZ0971N	Corner Bracket Zn 40 x 40 powder coated	99 g
SZ0970N	Corner Bracket Zn 40 x 40, complete	135 g
SZ0973N	Corner Bracket Zn 40 x 80 powder coated	309 g
SZ0972N	Corner Bracket Zn 40 x 80, complete	388 g



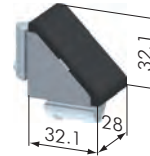
SZ0970N



SZ0972N

### Corner Brackets Zn 30

Part N <sup>o</sup>	Description	Weight
SZ0967N	Corner Bracket Zn 30 x 30	40 g
SZ0966N	Corner Bracket Zn 30 x 30, complete	72 g



SZ0966N



SZ0964N

### Corner Brackets Zn 20

Part N <sup>o</sup>	Description	Weight
SZ0965N	Corner Bracket Zn 20 x 20	14 g
SZ0964N	Corner Bracket Zn 20 x 20, complete	24 g



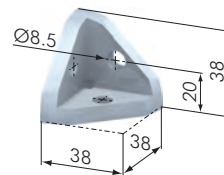
**Application:** For right-angled fixing of profiles without the need of machining the profiles.

**Material:** GDZn (zinc diecasting), natural

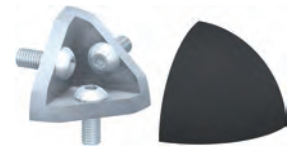
**Supply:** Corner brackets are available separately or in a set containing a fastening set and a corner bracket cap.

### Corner Fasteners

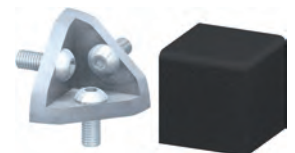
Part N <sup>o</sup>	Description	Weight
SZ0931S	Corner Fastener 40 x 40 45°	89 g
SZ0930S	Corner Fastener Set 40 x 40 45°	127 g
SZ0932S	Corner Fastener Set 40 x 40, round	127 g
SZ0933S	Corner Fastener Set 40 x 40, edge	135 g



SZ0931S



SZ0932S

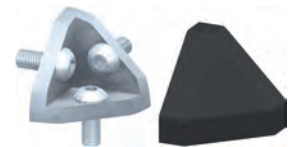


SZ0933S

**Application:** For right-angled fixing of profiles.

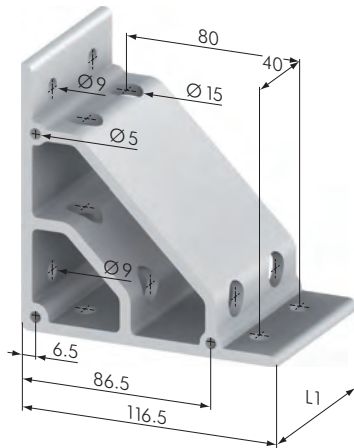
**Material:** GDZn (zinc diecasting), natural  
PA 6, black

**Supply:** Corner fastener sets contain the corner fastener 40 x 40 45°, three button head screws M 8 x 20, ISO 7380, and the appropriate cap.



SZ0930S

**40**



SZ6501N

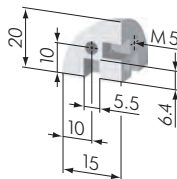
Angles 120 x 120				
Part №	Description	L <sub>1</sub>	n	Weight
SZ6500N	Angle 120 x 120 x 40		4	210 g
SZ6501N	Angle 120 x 120 x 80		8	424 g
SZ6502N	Angle 120 x 120 x 120		12	636 g
SZ6503N	Angle 120 x 120 x 160		16	850 g
SZ6504N	Angle 120 x 120 x 200		20	1053 g

**Application:** For right-angled fixing of profiles.

n = number of fixing holes

**Material:** aluminum, natural anodized

**40**  
**30**  
**20**

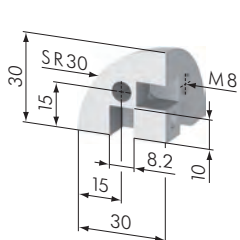


SZ5060N

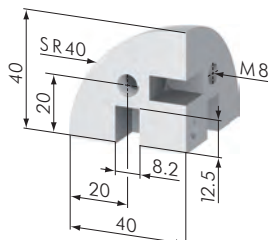
Round Corners		
Part №	Description	Weight
SZ5045N	Round Corner 80	584 g
SZ5050N	Round Corner 40	74 g
SZ5055N	Round Corner 30	26 g
SZ5060N	Round Corner 20	8 g

**Application:** For right-angled fixing of round profiles.

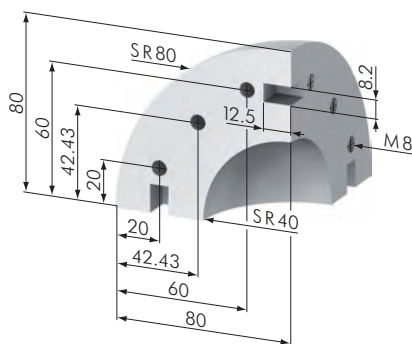
**Material:** aluminum, natural anodized



SZ5055N



SZ5050N



SZ5045N



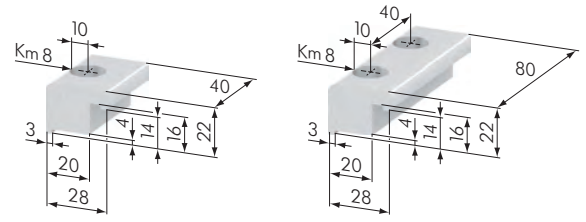
Clamp Angles				
Part N°	Description	L <sub>1</sub>	n	Weight
SZ6550N	Clamp Angle 28 x 22 x 40		1	41 g
SZ6551N	Clamp Angle 28 x 22 x 80		2	83 g
SZ6552N	Clamp Angle 28 x 22 x 120		3	125 g
SZ6553N	Clamp Angle 28 x 22 x 160		4	167 g
SZ6554N	Clamp Angle 28 x 22 x 200		5	



**Application:** For right-angled fixing of profiles.

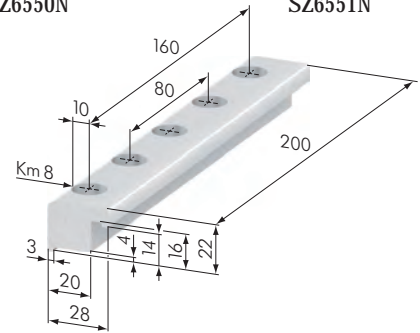
n = number of fixing holes

**Material:** aluminum, natural anodized



SZ6550N

SZ6551N



SZ6554N

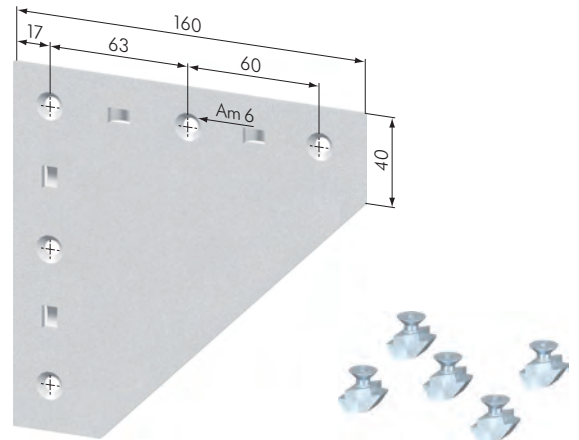
Gusset Plates Al		
Part N°	Description	Weight
SZ8043N	Gusset Plate Al, 160 x 160	138 g
SZ0780V	Fixing Set For Gusset Plate Al, 160 x 160	62 g
SZ8048N	Gusset Plate Al, 160 x 160, complete	204 g
SZ8070N	Gusset Plate Al, t-version	152 g
SZ0784V	Fixing Set For Gusset Plate Al, t-version	30 g
SZ8075N	Gusset Plate Al, t-version, complete	184 g
SZ8060N	Gusset Plate Al, angle	110 g
SZ0782V	Fixing Set For Gusset Plate Al, angle	22 g
SZ8065N	Gusset Plate Al, angle, complete	132 g



**Application:** Gusset plates are suitable for strengthening t- and corner connections of profiles within machine frames and jigs.

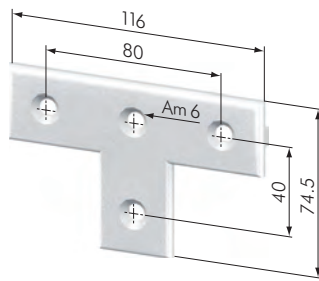
**Material:** aluminum, natural anodized

**Supply:** Gusset plates and appropriate fixing sets are available separately as well as in complete sets.



SZ8043N

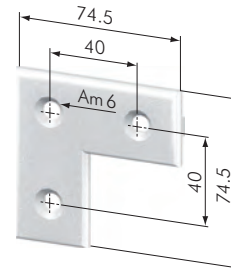
SZ0780V



SZ8070N



SZ0784V



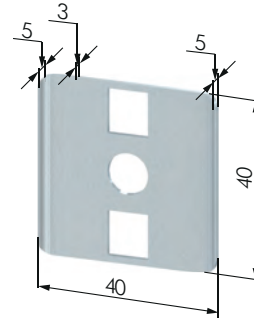
SZ8060N



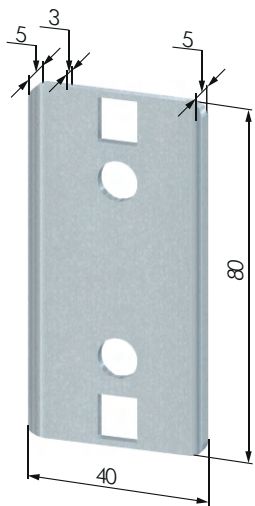
SZ0782V

**Radius seals**

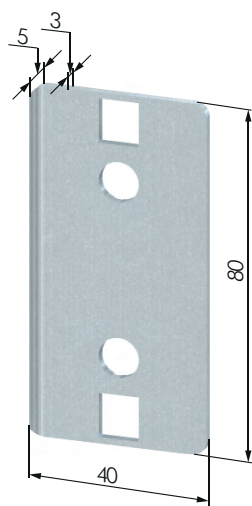
Part N°	Description
SZ0170N	Radius seals 40 x 40 AI natural
SZ0171N	Radius seals 40 x 40 1R AI natural
SZ0172N	Radius seals 40 x 80 AI natural
SZ0173N	Radius seals 40 x 80 1R AI natural
SZ0174N	Radius seals 40 x 80 2R/40 natural



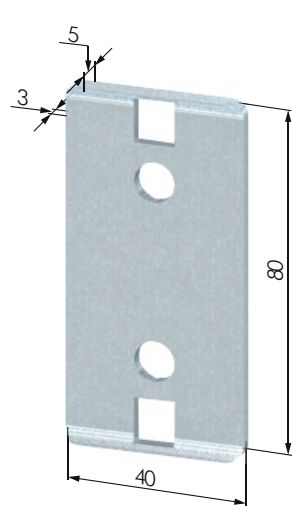
SZ0170N



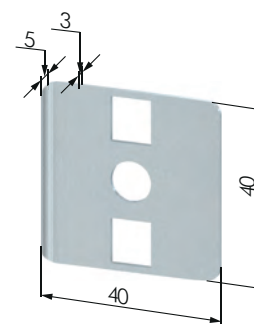
SZ0172N



SZ0173N



SZ0174N



SZ0171N

**Telescope Connection Set**

Part N°	Description
SZ1350N	Telescope Connection Set
SZ1360N	Telescope Locking Set

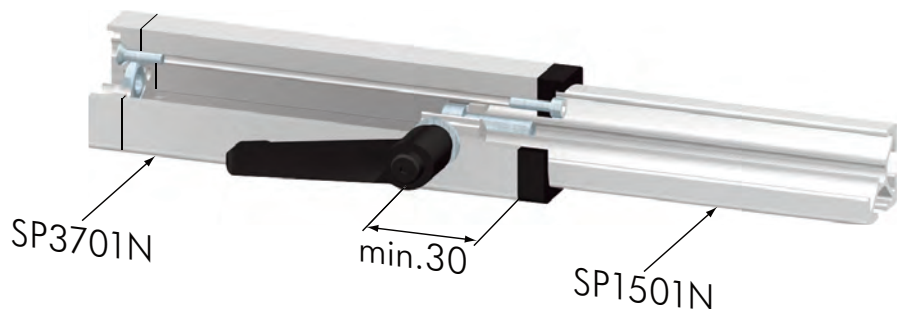
**Material:** Aluminium, natural anodized  
 POM



SZ1350N

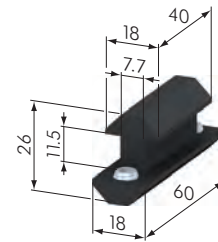


SZ1360N



System Glider		
Part No	Description	Weight
SZ1300S	System Glider 40/60	22 g

40



SZ1300S

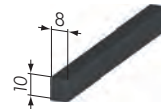
**Application:** Linear guidance of one profile against another. Used for sliding doors or windows. The system glider is locked into the profile t-slot via M 4 grub screws. The distance between the profiles amounts to 2.1 mm.

**Material:** POM, black

**Supply:** 2x grub screw M 8 x 8, zinc-plated

Slide Rail		
Part No	Description	Weight
SZ1310S	Slide Rail for sliding door profile	

40



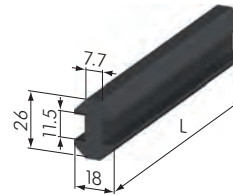
SZ1310S

**Application:** The slide rail is situated in the sliding door profile SP0401N to give a smooth running surface for doors and sliding elements.

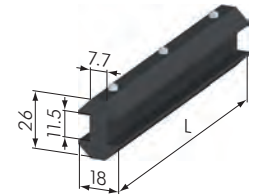
**Material:** HPLV, black

System Glider 40		
Part No	Description	Weight
SZ1330S	System Glider 40	
SZ1333S	System Glider 40, fixable	
SZ1335S	System Glider 40, offset	
SZ1338S	System Glider 40, offset, fixable	

40



SZ1330S

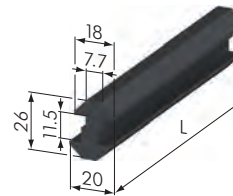


SZ1333S

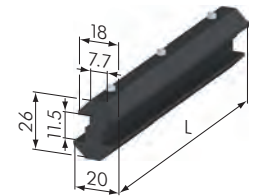
**Application:** Linear guidance of one profile against another. Used for sliding doors or windows. The fixable system glider are locked into the profile t-slot via M 4 grub screws.

**Material:** POM, black

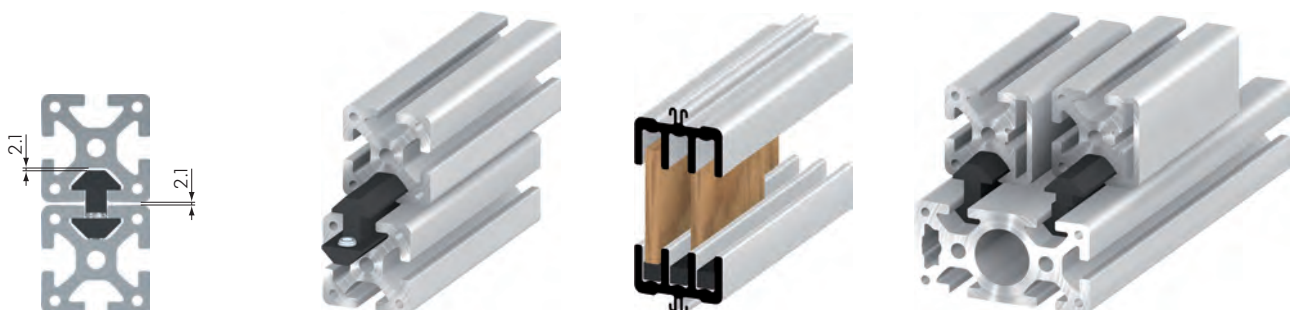
**Supplied Length:** max. 2950 mm

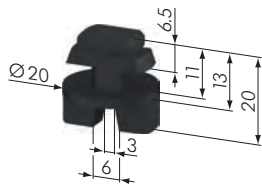


SZ1335S



SZ1338S





SZ1590S

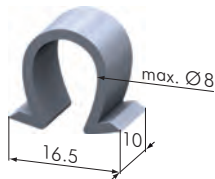


### Bin Locator

Part No	Description	Weight
SZ1590S	Bin Locator	10 g

**Application:** The bin locator is locked into position by twisting the locator 90° into the profile t-slot. Storage boxes for small parts can be clamped into position for workspace assembly lines.

**Material:** PA, black



SZ1580N

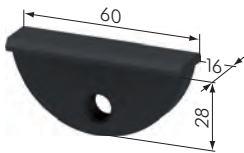


### Omega Clamp

Part No	Description	Weight
SZ1580N	Omega Clamp, Type A	0,55 g

**Application:** The clamp is clipped into the t-slot. Using the clamp, pneumatic tubes, cable ducts or control lines can be attached to profiles of series 30 and 40.

**Material:** PP, grey



SZ1110S



SZ1210V



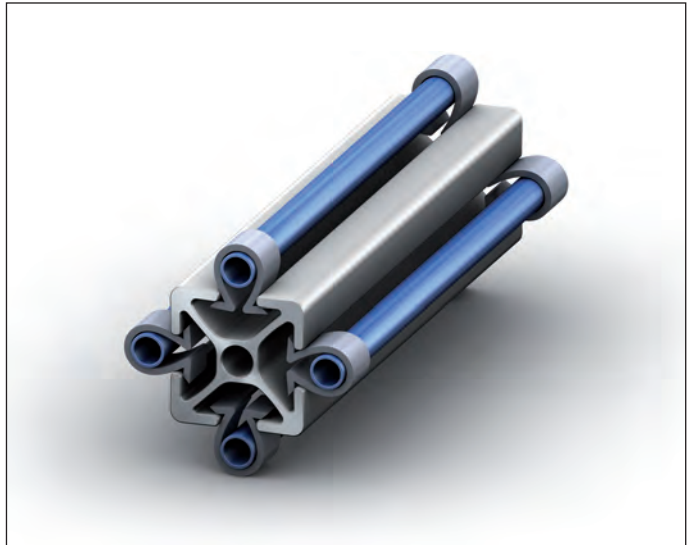
### Glider / Spring Hook

Part No	Description	Weight
SZ1110S	Glider	14 g
SZ1210V	Spring Hook	27 g

**Application:** For sliding suspended equipment. Spring hooks are used for holding tools.

**Material:** glider: POM, black  
spring hook: steel, zinc-plated

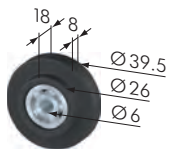




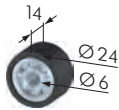
Omega are used to clamp conduits and compressed air lines etc. to any type of profile section that uses the M8 t-slot. If they are no longer needed, the clamps can be removed easily.



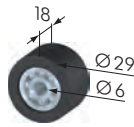
40



SZ2220S



SZ2210S

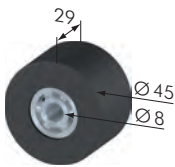


SZ2230S

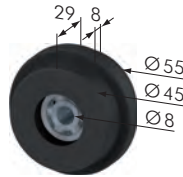
Rollers, POM		
Part No	Description	Weight
SZ2220S	Roller, POM	35 g
SZ2210S	Roller, POM, Ø 24	20 g
SZ2230S	Roller, POM, Ø 29	28 g

**Application:** The ball bearing roller is guided into the profile t-slot and can be used for flexible attachments of panel elements. Because of its asymmetrical construction, distances between the panel and profile can be adjusted.

**Material:** POM, black



SZ2420S



SZ2424S

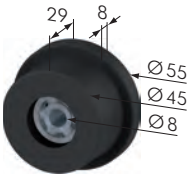
40

Load Bearing Rollers		
Part No	Description	Weight
SZ2420S	Load Bearing Roller 45	84 g
SZ2424S	Load Bearing Roller RM 45	80 g
SZ2422S	Load Bearing Roller RS 45	80 g
SZ2580Z	Fixing Set For Load Bearing Rollers	34 g

**Application:** Universal rollers that are designed to run in the profile t-slot.

**Material:** POM, black

**Acc.:** **SZ2580Z:** 1x cap head screw M 8 x 35, DIN 6912  
1x t-nut M 8 / ball-type, push-in  
1x spacer ME2108197



SZ2422S



SZ2580Z



40

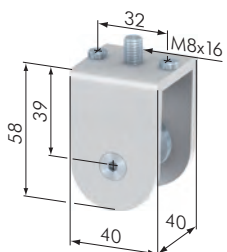
Roller Housings		
Part No	Description	Weight
SZ2620N	Roller Housing 40	70 g
SZ2640N	Roller Housing 80	160 g

**Application:** For attaching load bearing rollers to the profile.

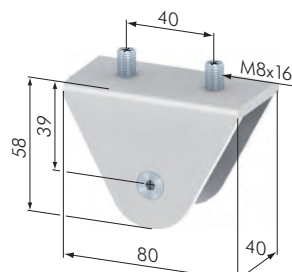
**Material:** aluminum, natural anodized

**Supply:** roller housing 40:  
1x spacer; steel, zinc-plated  
1x load bearing roller axle  
2x countersink screw M 6 x 12, zinc-plated  
1x button head screw M 8 x 16  
2x SS9900V anti-twist set screw  
1x roller housing 40

roller housing 80:  
1x spacer; steel, zinc-plated  
1x load bearing roller axle  
2x countersink screw M 6 x 12, zinc-plated  
2x button head screw M 8 x 16  
1x roller housing 80



SZ2620N



SZ2640N



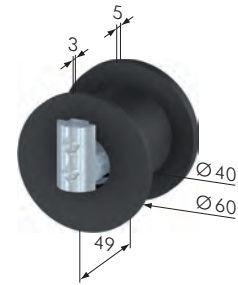
### Stabilizing Roller, vertical profile

Part N°	Description	Weight
SZ8044S	Stabilizing Roller, vertical profile	139 g

**Application:** Support roller for sliding panels.

**Material:** POM, black

**Supply:** 1 x special screw M8  
2 x spacer 12 x 18 x 12  
2 x single groove bearing 6001  
1 x t-nut M8, ball-type, slide-in



SZ8044S

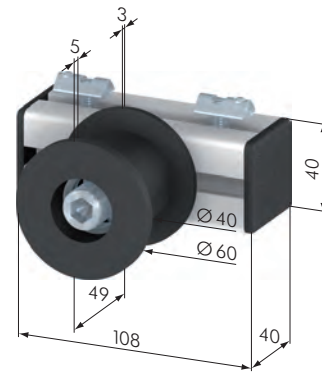
### Stabilizing Roller, horizontal profile

Part N°	Description	Weight
SZ8045S	Stabilizing Roller, horizontal profile	384 g

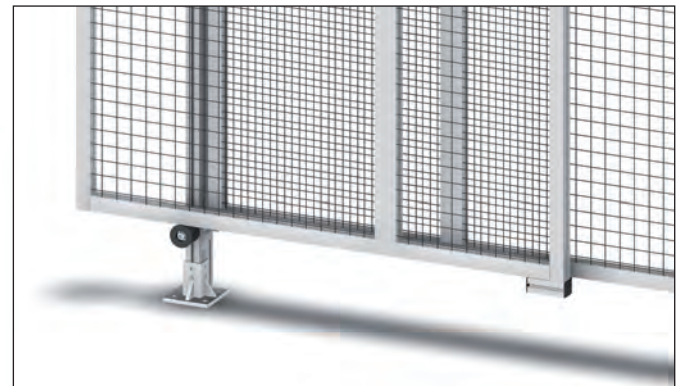
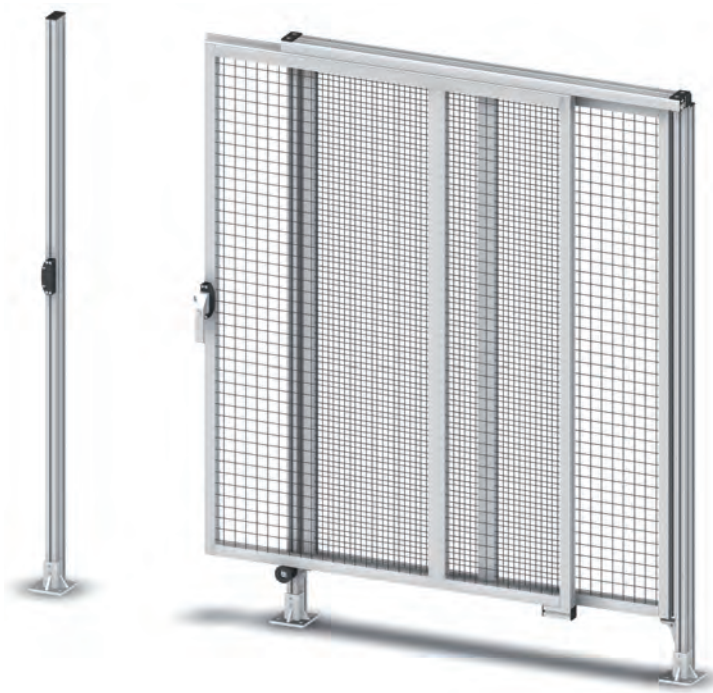
**Application:** Support roller for sliding panels.

**Material:** roller: POM, black  
profile: aluminum, natural anodized

**Supply:** 1x special screw M8  
2x spacer 12 x 18 x 12  
2x single groove bearing 6001  
1x t-nut M8 / ball-type, slide-in  
1x SP5600N100 retaining profile  
2x t-nut M8 / ball-type, push-in  
2x washer Ø8 mm  
2x cap head screw M8 x 35  
2x profile cap 40 x 40



SZ8045S



40

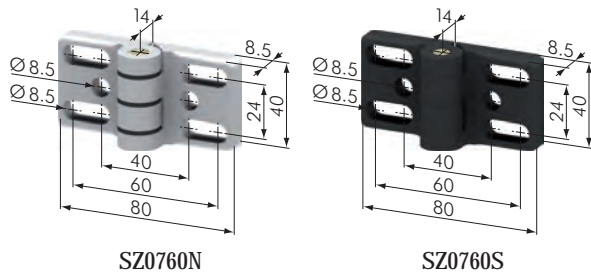
Hinges 40		Load	Weight
SZ0760N	Hinge 40, natural	F=750N	83 g
SZ0760S	Hinge 40, black		84 g
SZ0761S	Hinge 40 GDZn, black		190 g
SZ0762N	Hinge 40, with countersink Am 8		104 g
SZ0788V	Fixing Set For Hinges 40		68 g

**Application:** A medium to heavy load hinge for machines and protective guardings.

**Material:** Aluminum, natural anodized, black anodized or GDZn (zinc diecasting), black

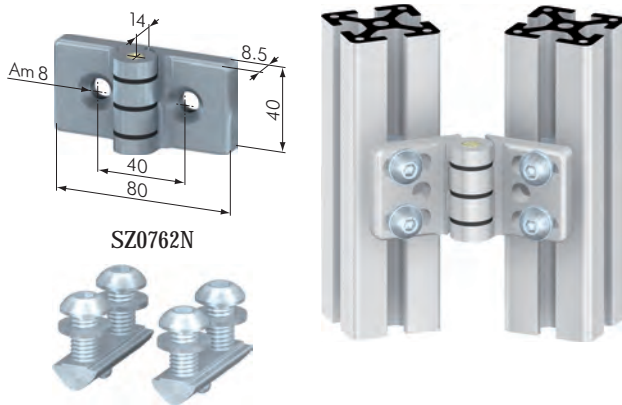
**Supply:** 2x SS9900V anti-twist set screw

**Acc.:** SZ0788V: 2x special t-nut 2x M8 / spring-loaded ball  
4x button head screw M8 x 18  
4x washer Ø8 mm



SZ0760N

SZ0760S



SZ0762N

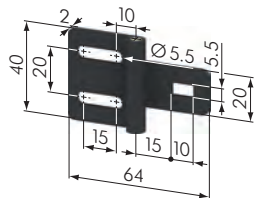
SZ0788V

40

Hinge 40, steel		Weight
SZ0760V	Hinge 40, steel	23 g

**Application:** A medium load hinge for machines and protective guardings.

**Material:** steel, black



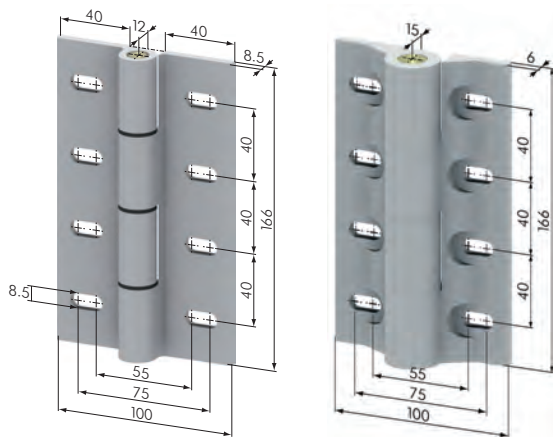
SZ0760V

40

Hinges 40		Weight
SZ0765N	Hinge 40 / L 124, natural	316 g
SZ0766N	Hinge 40 / L 166, natural	416 g
SZ0767N	Hinge 40 / L 166 heavy, natural	708 g

**Application:** A medium to heavy load hinge for machines and protective guardings.

**Material:** aluminum, natural anodized



SZ0766N

SZ0767N

SZ0765N

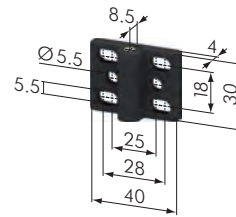
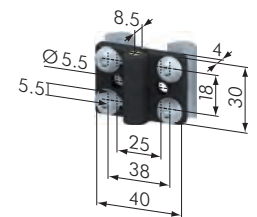
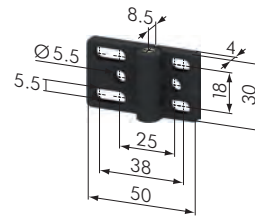
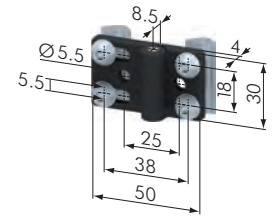
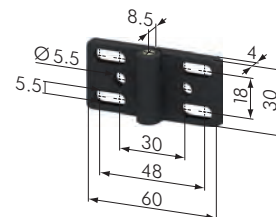
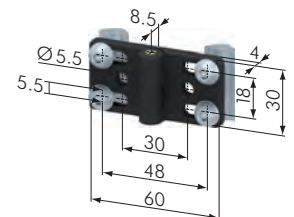
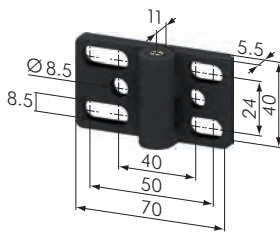
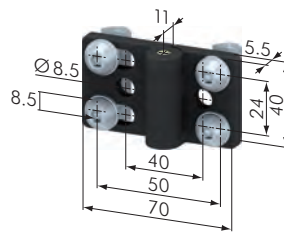
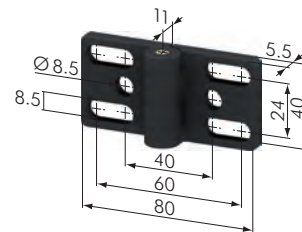
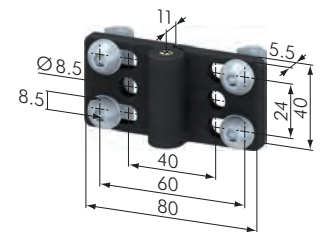
**Hinges PA**

Part N°	Description	Weight
SZ0715S	Hinge 20/20 PA	11.5 g
SZ0720S	Hinge 20/20 PA, complete	28.5 g
SZ0716S	Hinge 30/20 PA	12.6 g
SZ0721S	Hinge 30/20 PA, complete	33.0 g
SZ0717S	Hinge 30/30 PA	13.9 g
SZ0723S	Hinge 30/30 PA, complete	29.3 g
SZ0718S	Hinge 40/30 PA	27.0 g
SZ0724S	Hinge 40/30 PA, complete	90.0 g
SZ0719S	Hinge 40/40 PA	29.1 g
SZ0725S	Hinge 40/40 PA, complete	92.5 g
SZ0787V	Fixing Set For Hinge 30 PA	42 g

**Application:** door hinge for medium loads. These hinges are suitable to connect profiles from different profile ranges, like the hinge 40/30 PA that connects profiles 40 to profiles 30.

**Material:** PA, black

**Supply:** All hinges PA, complete are supplied with the appropriate fixing set. These fixing sets include all of the elements needed to connect both halves of the hinge with the respective profiles.

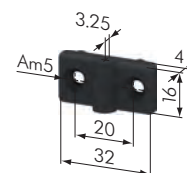
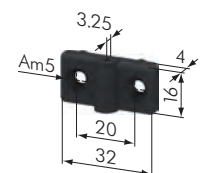
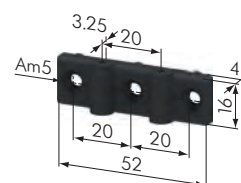
**40**  
**30**  
**20**

**SZ0715S**

**SZ0720S**

**SZ0716S**

**SZ0721S**

**SZ0717S**

**SZ0723S**

**SZ0718S**

**SZ0724S**

**SZ0719S**

**SZ0725S**
**Hinges 20 PA**

Part N°	Description	Weight
SZ0705S	Hinge 20 PA, left	16 g
SZ0706S	Hinge 20 PA, right	16 g
SZ0707S	Double Hinge 20 PA	21 g
SZ0785V	Fixing Set For Hinges 20	8 g

**Application:** A medium to heavy load hinge for machines and protective guardings. By using one right and one left-hand hinge, a non-lift-off door can be made.

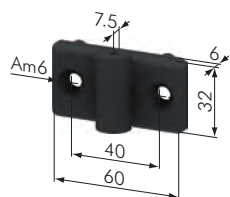
**Material:** PA, black

The fixing set SZ0785V is required twice for SZ0705S and SZ0706S, for SZ0707S three times.

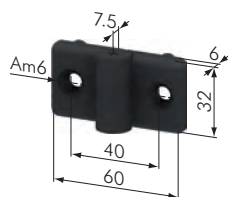
**20**

**SZ0705S**

**SZ0706S**

**SZ0707S**

**SZ0785V**

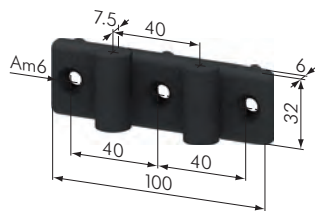
40



SZ0770S



SZ0771S



SZ0772S



SZ0789V

Hinges 32 PA		
Part No	Description	Weight
SZ0770S	Hinge 32 PA, left	21 g
SZ0771S	Hinge 32 PA, right	38 g
SZ0772S	Double Hinge 32 PA	21 g
SZ0789V	Fixing Set For Hinges 32	8 g

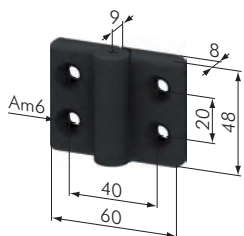
**Application:** A door hinge for machines and protective guardings, for light loads using profile range 40. The halves of hinge 32 PA can be combined with those of hinge 30 PA in order to connect profiles from different profile ranges.

**Material:** PA, black

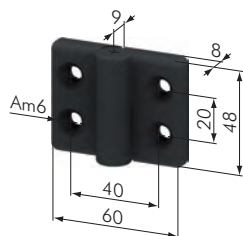
**Acc.:** SZ0789V: 1x countersink screw M 6 x 16, black  
1x t-nut M 6 steel / PA

The fixing set SZ0789V is required twice for SZ0770S and SZ0771S, for SZ0772S three times.

40



SZ0773S



SZ0774S



SZ0791V

Hinges 48 PA		
Part No	Description	Weight
SZ0773S	Hinge 48 PA, left	40 g
SZ0774S	Hinge 48 PA, right	40 g
SZ0791V	Fixing Set For Hinges 48	22 g

**Application:** A medium to heavy load hinge for machines and protective guardings.

**Material:** PA, black

**Acc.:** SZ0791V: 2x countersink screw M 6 x 20, black  
1x double t-nut 20 M 6

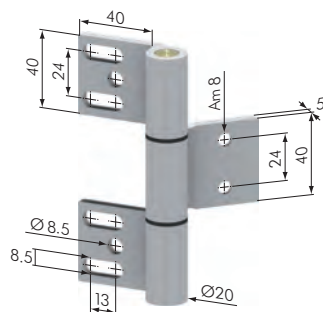
Two of the SZ0791V fixing sets are required in order to mount the hinge onto a profile.

40

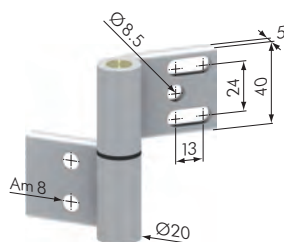
Hinges Al		
Part No	Description	Weight
SZ8012N	Hinge Al, with 12 mm bolt, 2-parts	36 g
SZ8013N	Hinge Al, with 12 mm bolt, 3-parts	54 g

**Application:** A medium to heavy load hinge for machines and protective guardings. Gap adjustment: 5 - 13 mm

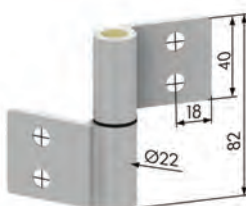
**Material:** aluminum, natural anodized



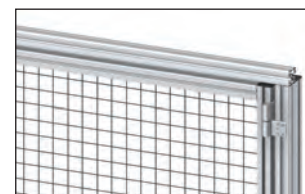
SZ8013N



SZ8012N



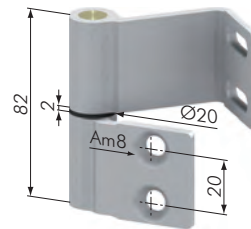
SZ8011N



Hinge Al		
Part N°	Description	Weight
SZ8014N	Hinge, Al	198 g

**Application:** A medium to heavy hinge load for machines and protective guardings. Gap adjustment: 5 - 13 mm

**Material:** aluminum, natural anodized

**40**


SZ8014N



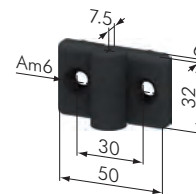
Hinges 30 PA		
Part N°	Description	Weight
SZ0775S	Hinge 30 PA, left	16 g
SZ0776S	Hinge 30 PA, right	21 g
SZ0777S	Double Hinge 30 PA	16 g
SZ0786V	Fixing Set For Hinges 30	8 g

**Application:** A door hinge for machines and protective guardings, for light loads using profile range 30. The halves of hinge 30 PA can be combined with those of hinge 32 PA in order to connect profiles from different profile ranges.

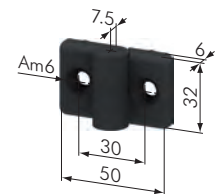
**Material:** PA, black

**Acc.:** SZ0786V: 1x countersink screw M 6 x 14, zinc-plated  
1x t-nut M 6 steel/PA

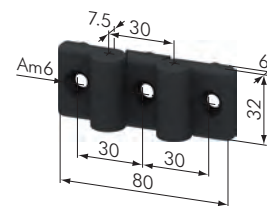
Two of the SZ0786V fixing sets are required for SZ0775S and SZ0776V, and three are required for SZ0777S.

**30**


SZ0775S



SZ0776S



SZ0777S

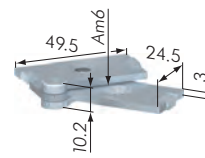


SZ0786V

Hinge 30 VA		
Part N°	Description	Weight
SZ0730V	Hinge 30 VA, complete	64 g
SZ0790V	Fixing Set For Hinge 30 VA	34 g

**Application:** A medium to heavy load hinge for machines and guardings.

**Material:** stainless-steel

**30**


SZ0735V



SZ0790V

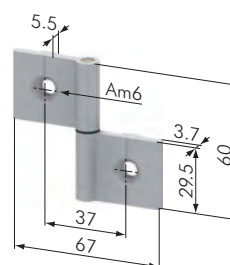


Hinge 30		
Part N°	Description	Weight
SZ0735N	Hinge 30, natural	40 g
SZ0786V	Fixing Set For Hinge 30	8 g

**Application:** An aesthetically appealing hinge used in the gap between the door and the frame.

**Material:** aluminum, natural anodized

**Acc.:** SZ0786V: 1x countersink screw M 6 x 14, black  
1x t-nut M 6 steel/PA  
Two of the SZ0786V fixing sets are required in order to mount the hinge onto a profile.

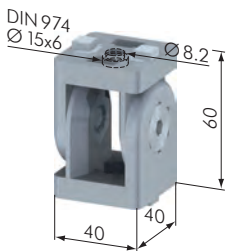
**30**


SZ0735V



SZ0786V





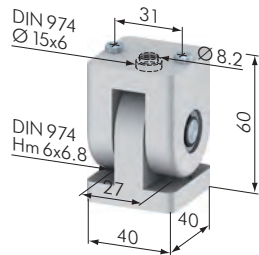
SZ1020N



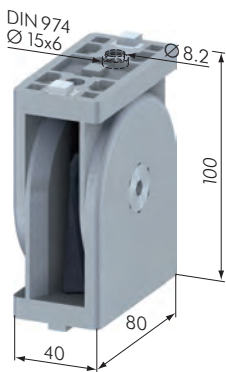
SZ1020S



SZ1021N



SZ1050N



SZ1022N



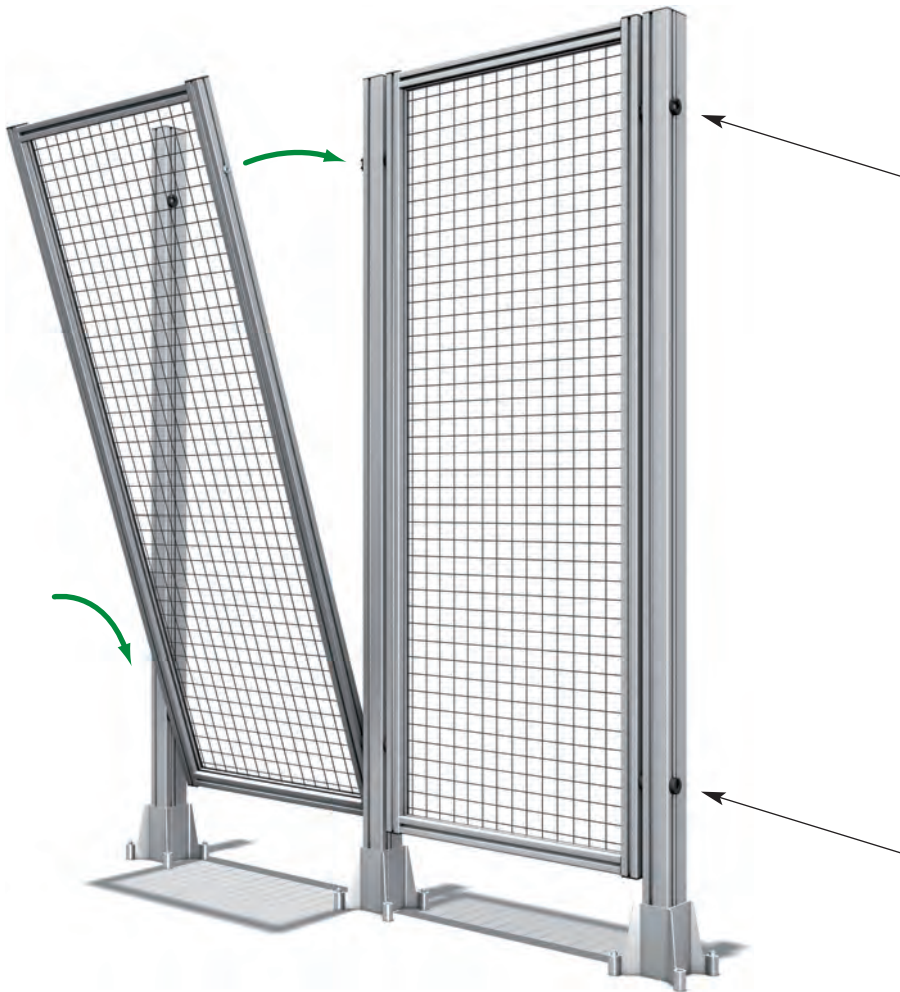
SZ1023N

Heavy Duty Joints 40		
Part No	Description	Weight
SZ1020N	Heavy Duty Joint 40 x 40, natural	293 g
SZ1020S	Heavy Duty Joint 40 x 40, black	293 g
SZ1021N	Heavy Duty Joint 40 x 40, with clamp lever	335 g
SZ1050N	Heavy Duty Joint 40 x 40, massive, natural	293 g
SZ1022N	Heavy Duty Joint 40 x 80, natural	480 g
SZ1023N	Heavy Duty Joint 40 x 80, with clamp lever	690 g

**Application:** For connecting two profiles at any angle up to 180° (± 90°). The clamp lever facilitates easy positioning. For heavy duty joints without a clamp lever, the angle can be set by tightening the hexagon nuts.

**Material:** heavy duty joints: GDZn (zinc diecasting)  
heavy duty joint, labored: aluminum, natural anodized

Mounting Elements According To Machinery Directive 2006/42/EG



Mounting element is pivoted into the hanger.



Fixing screw slides under the latch.

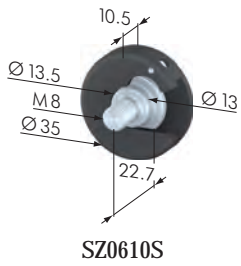


Fixing screw in end position. The latch secures and clamps the fixing screw.

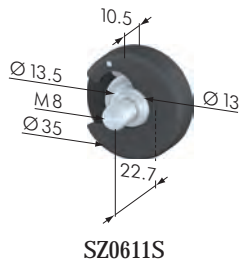


To unlock the element push the latch through the bore opening.

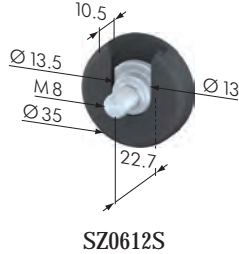
**40**



SZ0610S



SZ0611S



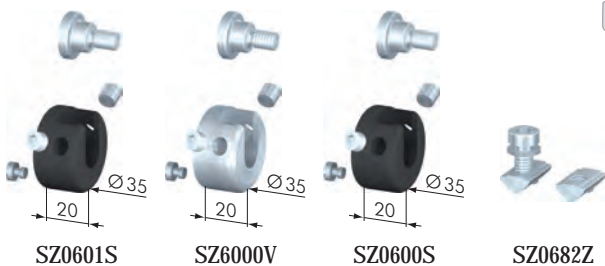
SZ0612S

Hangers 40 V and 40 U		
Part No	Description	Weight
SZ0610S	Hanger 40 V Fastener R, black	32 g
SZ0611S	Hanger 40 V Fastener L, black	32 g
SZ0612S	Hanger 40 U, black	32 g

**Application:** For tool-free mounting of frame elements to support leg profiles for protection and separating walls.  
According to machinery directive 2006 / 42 / EG.

**Material:** casing: aluminum, black anodized  
latch, screws: steel, zinc-plated

**40**



SZ0601S

SZ0600V

SZ0600S

SZ0682Z

SZ0685Z

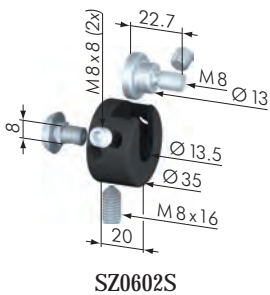
Hangers 40		
Part No	Description	Weight
SZ0601S	Hanger 40 PA	40 g
SZ0600V	Hanger 40, natural	115 g
SZ0600S	Hanger 40, black	115 g
SZ0682Z	Fixing Set For Hangers 40	28 g
SZ0685Z	Fixing Set For Hanger 40 V	

**Application:** For hanging frame elements to vertical profiles to make protective guardings or removable panels.  
Mounting dimension per side: 20.5 - 23.0 mm

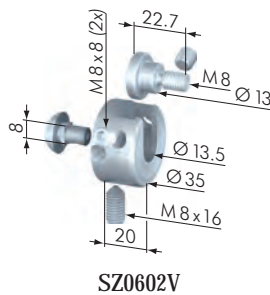
**Material:** SZ0601S: POM, black  
SZ0600V: steel, zinc-plated  
SZ0600S: steel, zinc-plated black

**Acc.:** SZ0682Z: 2x t-nut M8 / ball-type, push-in  
1x cap head screw M8 x 12, zinc-plated  
1x washer Ø 8 mm

**40**



SZ0602S



SZ0602V

Hangers 40 SVPS		
Part No	Description	Weight
SZ0602S	Hanger 40 SVPS, black	126.3 g
SZ0602V	Hanger 40 SVPS, natural	126.3 g

**Application:** For hanging frame elements to vertical profiles to make protective guardings or removable panels.  
Mounting dimension per side: 20.5 - 23.0 mm

**Material:** SZ0602S: steel, zinc-plated black  
SZ0602V: steel, zinc-plated



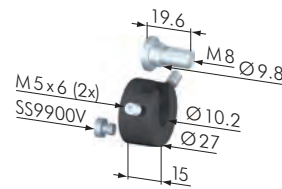
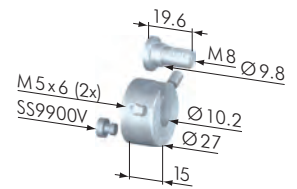
**Hangers 30**

Part N°	Description	Weight
SZ0604S	Hanger 30, black	60 g
SZ0604V	Hanger 30, natural	60 g
SZ0683Z	Fixing Set For Hangers 30	24 g

**Application:** For hanging frame elements to vertical profiles to make protective guardings or removable panels.

**Material:** SZ0604S: steel, black zinc-plated  
SZ0604V: steel, zinc-plated

**Acc.:** SZ0683Z: 2x t-nut M 6 / ball-type, push-in  
1x cap head screw M 6 x 10, zinc-plated  
1x washer Ø 6 mm

**30**

**SZ0604S**

**SZ0604V**

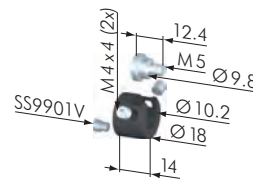
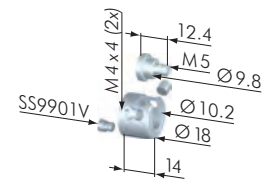
**SZ0683Z**
**Hangers 20**

Part N°	Description	Weight
SZ0603S	Hanger 20, black	26 g
SZ0603V	Hanger 20, natural	26 g
SZ0684Z	Fixing Set For Hangers 20	6 g

**Application:** For hanging frame elements to vertical profiles to make protective guardings or removable panels.

**Material:** SZ0603S: steel, black zinc-plated  
SZ0603V: steel, zinc-plated

**Acc.:** SZ0684Z: 2x t-nut mini M 5 / ball-type, push-in  
1x cap head screw M 5 x 10, zinc-plated  
1x washer Ø 5 mm

**20**

**SZ0603S**

**SZ0603V**

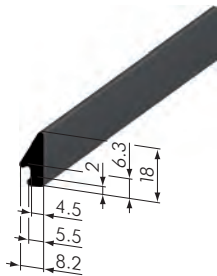
**SZ0684Z**


Panel hanger open.

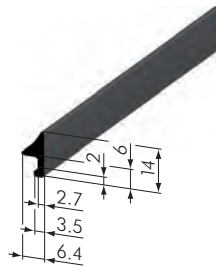


Fixing screw slides into the hanger and is secured by tightening both Allen set screws.

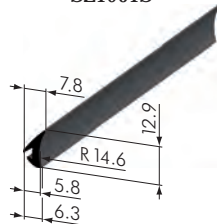




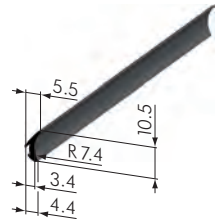
SZ1901S



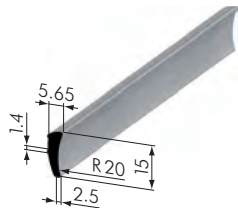
SZ1900S



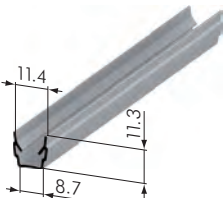
SZ1903S



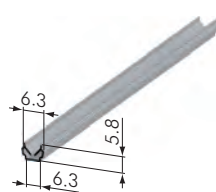
SZ1902S



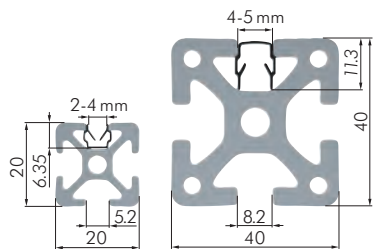
SZ1916N



SZ1800N



SZ1802N



40  
30  
20

Sealing Rubbers		
Part No	Description	Weight
SZ1901S	Sealing Rubber 40 4 mm	60 <sup>g</sup> /m
SZ1900S	Sealing Rubber 40 6 mm	30 <sup>g</sup> /m
SZ1903S	Sealing Rubber 30 4 mm	50 <sup>g</sup> /m
SZ1902S	Sealing Rubber 30 6 mm	20 <sup>g</sup> /m

**Application:** For sealing flat panels in a frame. Provides an anti-vibration seal. Not suitable for wire mesh panels.

**Material:** EPDM  
deterioration and ozone resistant  
oil and water resistant

40

Wedge Sealing 4		
Part No	Description	Weight
SZ1916N	Wedge Sealing 4	50 g / m

**Application:** For sealing 4 mm panels in a profile frame. Provides an anti-vibration seal. Not suitable for wire mesh panels.

**Material:** polypropylene, natural color

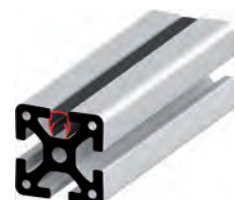
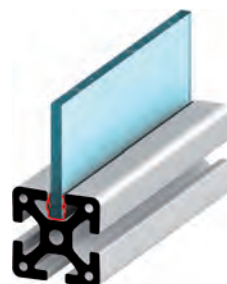
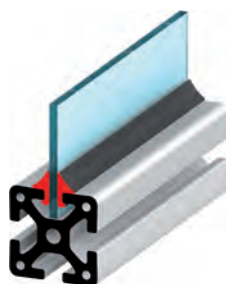
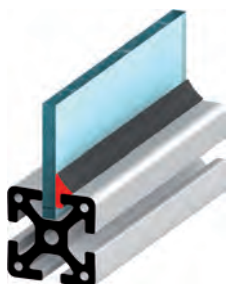
40

Edging and Covering Strips		
Part No	Description	Weight
SZ1800N	Edging And Covering Strip 40, natural	78 g
SZ1800S	Edging And Covering Strip 40, black	78 g
SZ1802N	Edging And Covering Strip 20, natural	37 g
SZ1802S	Edging And Covering Strip 20, black	37 g

**Application:** For covering the profile t-slot or for clamping sheet elements. Suitable for panel thicknesses between 2-4 mm (SZ1802) and 4-5 mm (SZ1800).

**Material:** polypropylene, natural or black

**Supplied Length:** 3000 mm

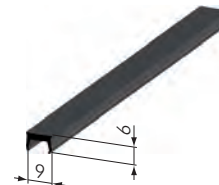


**Slot Profiles 40**

Part N°	Description	Weight
SZ1820N	Slot Profile 40, natural	35 g
SZ1820S	Slot Profile 40, black	35 g

**Application:** For covering an 8 mm t-slot.

**Material:** polypropylene, natural or black  
hardness 70° Shore A  
oil and water resistant



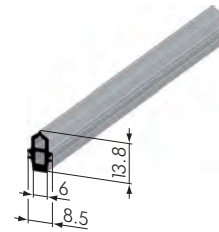
SZ1820S

**Door Sealing 20**

Part N°	Description	Weight
SZ1905N	Door Sealing 20	67.5 <sup>g</sup> /m

**Application:** For sealing protection wall elements and sliding doors.

**Material:** EPDM  
deterioration and ozone resistant  
oil and water resistant



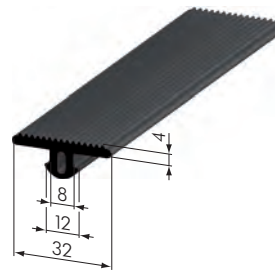
SZ1905N

**Cover Profile**

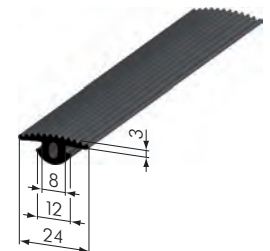
Part N°	Description	Weight
SZ1912S	Cover Profile 16 x 2.2	60 <sup>g</sup> /m
SZ1914S	Cover Profile 24 x 3	140 <sup>g</sup> /m
SZ1910S	Cover Profile 32 x 4	160 <sup>g</sup> /m

**Application:** Suitable for covering profile surfaces. The rubber material provides a non-slip surface.

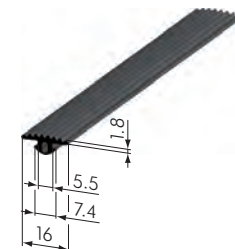
**Material:** NBR, black  
hardness 70° Shore A  
oil and water resistant



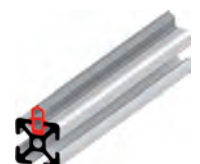
SZ1910S

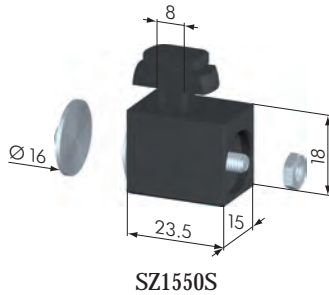
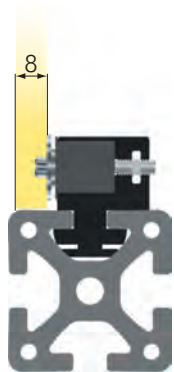


SZ1914S



SZ1912S



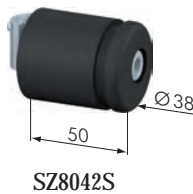


40

**Magnetic Catch Plates**

Part No	Description	Weight
SZ1551S	Magnetic Catch Plate 2 mm	20 g
SZ1552S	Magnetic Catch Plate 4 mm	20 g
SZ1550S	Magnetic Catch Plate 6 mm	20 g
SZ1553S	Magnetic Catch Plate 8 mm	20 g

**Application:** Suitable for swing doors and windows. Steel stop plate is secured by using an industrial adhesive. Suitable for a panel thickness of max 8 mm. Adhesive force: 5 N



40

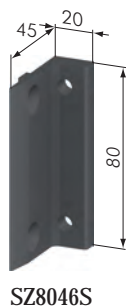
**Door Stop, top, round (excentric)**

Part No	Description	Weight
SZ8042S	Door Stop, top, round (excentric)	94 g

**Application:** Upper door stop with excentric adjustment and o-ring cushioning.

**Material:** POM, black

**Supply:** 1x cap head screw M 8 x 45  
1x t-nut M 8 / ball-type, slide-in



40

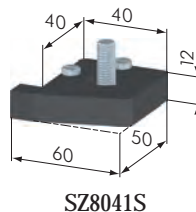
**Door Stop**

Part No	Description	Weight
SZ8046S	Door Stop	28 g

**Application:** Universally applicable door stop for protection and separating doors.

**Material:** POM, black

**Zubehör:** 2x countersink screw M 6 x 16  
2x t-nut M 8 / ball-type, slide-in



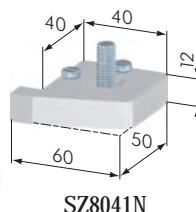
40

**Door Stops, bottom**

Part No	Description	Weight
SZ8041S	Door Stop, bottom (POM)	43 g
SZ8041N	Door Stop, bottom (aluminum)	75 g

**Material:** POM, black or aluminum, natural anodized

**Supply:** 2x SS9900V anti-twist set screw  
1x countersink screw M 8 x 25

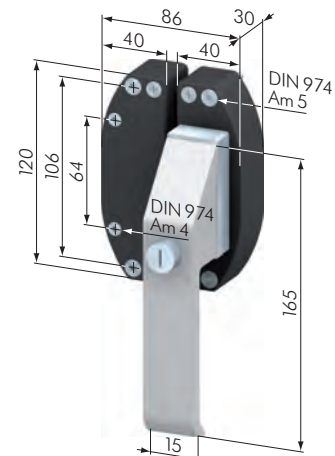


Protection Wall Lock		
Part Nº	Description	Weight
SZ8018S	Protection Wall Lock	638 g



**Application:** Locking mechanism for swing or sliding doors. Distance dimension: 6 mm

**Material:** POM, black  
aluminum, natural anodized  
steel, zinc-plated



SZ8018S

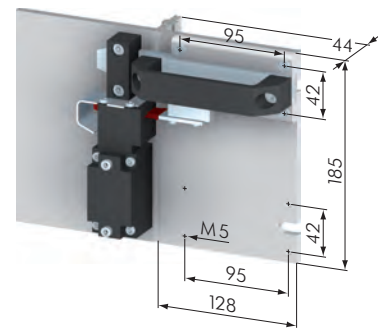
Protection Wall Locking Mechanisms		
Part Nº	Description	Weight
SZ8016V	Protection Wall Locking Mechanism	1926 g
SZ8017V	Protection Wall Locking Mechanism w/ Transponder	1512 g



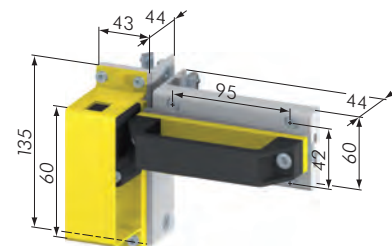
**Application:** For locking protection wall doors.

**Material:** aluminum, natural anodized  
SZ8016V switch: Euchner NZ1VZ-538E-MC1233

**Supply:** Complete with fixing set.



SZ8016V



SZ8017V

Door Locks		
Part Nº	Description	Weight
SZ0411S	Door Lock	217 g
SZ0410S	Cylinder Door Lock	154 g

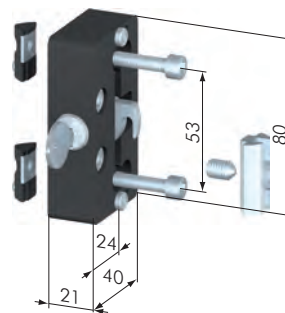


**Application:** Locking mechanism for swing or sliding doors. Fitting can be either right or left-sided. The anti-twist security can be fitted in several ways.

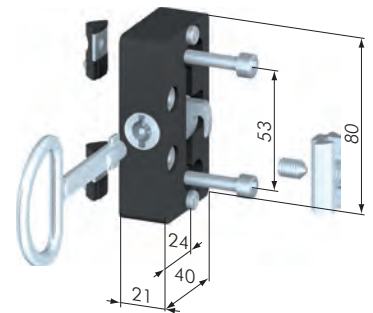
**Supply:** Complete with key, latching plate and fixing set.  
2x cap head screw M 6 x 25, DIN 912  
2x t-nut M 6 steel/PA  
1x special t-nut with grub screw



SZ0421N



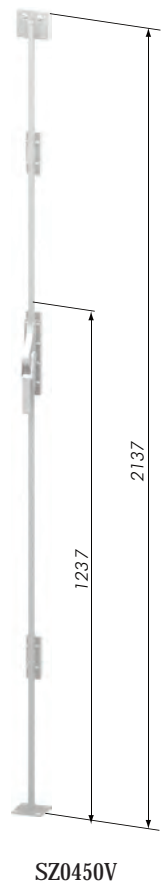
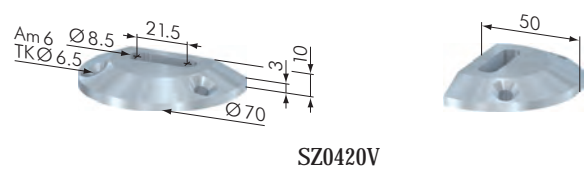
SZ0410S



SZ0411S

40

Door Latches		
Part No	Description	Weight
SZ0420V	Catch Plate, door latch	135 g
SZ0422V	Door Latch 40 x 40, right	
SZ0423V	Door Latch 40 x 40, left	
SZ0424V	Door Latch 40 x 80, right	
SZ0425V	Door Latch 40 x 80, left	



40

Protection Wall Latches		
Part No	Description	Weight
SZ8019V	Protection Wall Latch, for double doors	
SZ8020V	Protection Wall Latch, for single doors	
SZ0450V	Set Of Shoot Bolts	

**Application:** For locking single or double doors. Also mountable without any machining (SZ8019V, SZ8020V).

**Material:** aluminum, natural anodized  
fixing plate, t-nut profile: steel, zinc-plated  
handle: PA, black

**Acc.:** 1x profile 16 x 40 or 16 x 80  
1x catch plate, door latch, top  
1x catch plate, door latch, bottom  
1x door latch  
1x angle 40 x 60, with accessories  
1x fixing plate, top

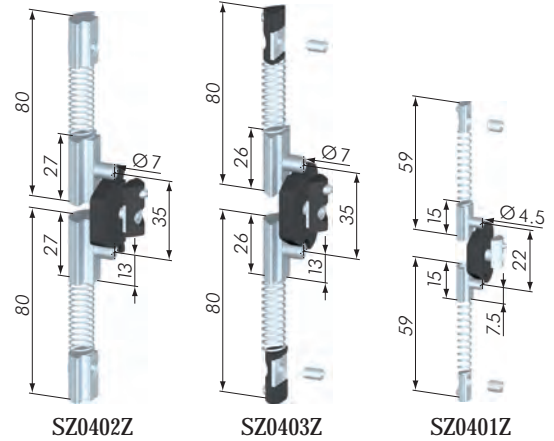
**Spring Door Catches**

Part No	Description	Width	Weight
SZ0402Z	Spring Door Catch 40	9 mm	73 g
SZ0403Z	Spring Door Catch 30	9 mm	50 g
SZ0401Z	Spring Door Catch 20	6.5 mm	16.1 g

**Application:** Catch for swing doors.



40  
30  
20

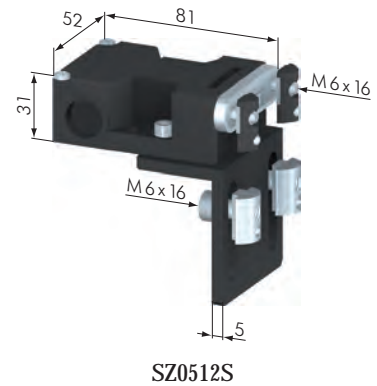

**Safety Interlocks**

Part No	Description	Weight
SZ0510S	Safety Interlock, with one contact	260 g
SZ0512S	Safety Interlock, with two contacts	260 g

**Application:** For electronic monitoring of doors. Can be mounted on the left or right side. The closing force amounts to 15 N, the holding force 5 N.

**Supply:** Complete with fixing set.

40



SZ0512S



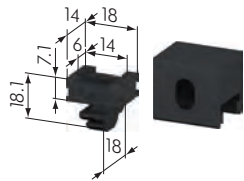
40  
30



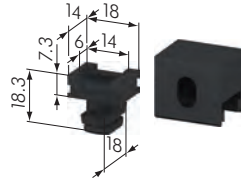
SZ1540S



SZ1510S



insert for SZ1540S



insert for SZ1510S

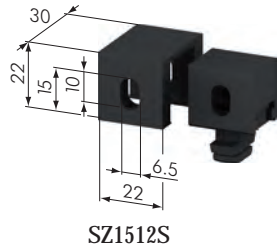
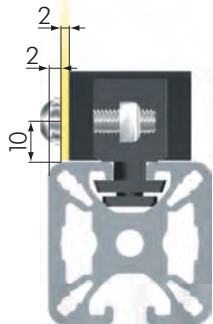
Fixing Blocks		
Part N°	Description	Weight
SZ1540S	Fixing Block 30 vario	14 g
SZ1510S	Fixing Block 40 vario	27 g
SZ1512S	Fixing Block 40/2	19 g
SZ1514S	Fixing Block 40/4	16 g
SZ1516S	Fixing Block 40/6	14 g
SZ1518S	Fixing Block 40/8	10 g

**Application:** SZ1512S is to be used for mounting 2 mm, SZ1514S for 4 mm, SZ1516S for 6 mm and SZ1518S for 8 mm panels to profiles with an 8 mm t-slot. SZ1540S and SZ1510S facilitate the entire 2 - 8 mm range of panels. An M6 screw is required for installation.

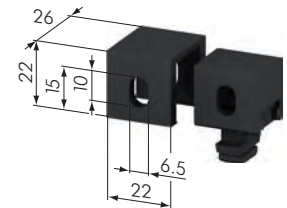
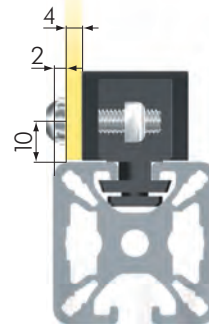
**Material:** PA, black

**Acc.:** SZ1510S fixing block 40 Vario and SZ1540S fixing block 30 Vario are complete sets.

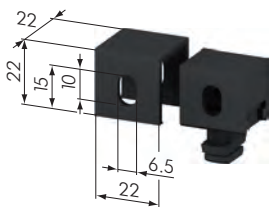
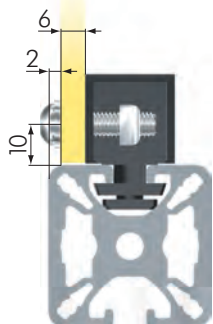
They comprise four different sized, removable caps to accommodate panels with 2 - 8 mm thickness.



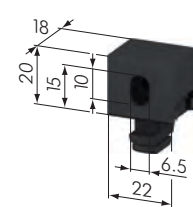
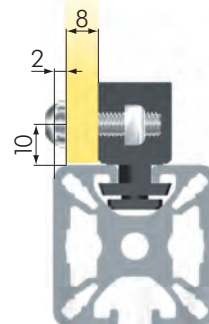
SZ1512S



SZ1514S



SZ1516S



SZ1518S



## The Linear Actuator Systems

All *Paletti* linear motion systems are comprised of extruded aluminum profile track and carriage systems. Timing belts and ball bearing screws provide the transmission with a combination of electric motor and gearbox units. Pneumatic cylinders are also used to provide linear motion.

The *Paletti* modular approach allows for simple and complex systems to be manufactured to suit most customer and designer requirements. *Paletti* supplies individual linear motion components, single built actuators or complex multi axis systems.



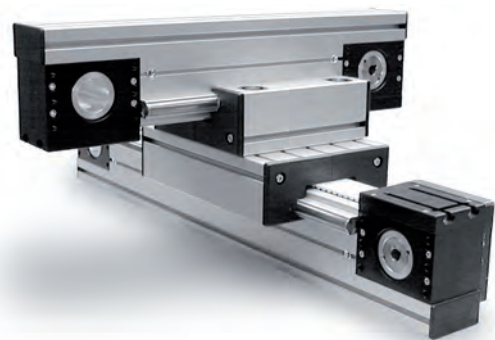
- Linear Actuators 16 roller track 16 with timing belt
- roller track 16
- with trapezoidal or ball screw spindle
- roller track 16 with omega drive
- Linear Actuators 25 roller track 25 with timing belt
- Internal Guidance 120 x 120 linear ball slide with ball screw
- linear ball slide with timing belt
- Internal Guidance 80 x 85 linear ball slide with timing belt
- C-Tracks roller track with plastic rollers
- and timing belt
- roller track with plastic rollers
- and omega drive
- Recirculating Ball Slides with plastic balls
- Glider Slides with plastic gliders
- Internal Guidances 80/90 single guidance
- double guidance
- Internal Guidances
- 120 x 120 AT 10/75 with plastic rollers
- with steel rollers
- 2 Axis Systems
- 3 Axis Systems
- Multi Axis Systems

Linear Systems 16



Pulley Assembly	without	40 x 40 Internal	40 x 40 External	40 x 80 Internal	40 x 80 External	80 x 90 Internal
Tensioner	-	-	-	-	-	-
Timing Belt	-	AT 10/22	-	AT 10/22	AT 10/22	AT 10/50
F 16 40x80/40						
w/l 160/140	SL5100N	SL5000N	-	SL5001N	-	SL5002N
w/l 160/280	SL5110N	SL5005N	-	SL5004N	-	SL5003N
Special Length	SL5115N	SL5008N	-	SL5006N	-	SL5007N

F 16 40x80/80			
w/l 200/140	SL5120N	SL5020N	-
w/l 200/200	SL5125N	SL5025N	-
w/l 200/280	SL5130N	SL5030N	-
Special Length	SL5135N	SL5031N	-

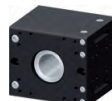


Linear Systems 16



Pulley Assembly	without	40 x 40 Internal	40 x 40 External	40 x 80 Internal	40 x 80 External	80 x 90 Internal	80 x 80 Internal	80 x 80 External	80 x 100 Internal	80 x 100 External	80 x 120 Internal	80 x 120 External
Tensioner	-	-	-	-	-	-	-	-	-	-	-	-
Timing Belt	-	AT 10/22	-	AT 10/22	AT 10/22	AT 10/50	AT 10/50	AT 10/50	AT 10/50	AT 10/50	AT 10/50	AT 10/50
F 16 80x80												
w/l 200/140	SL5145N	SL5035N	-	SL5210N	-	SL5071N	SL5070N	-	SL5085N	-	SL5220N	-
w/l 200/200	SL5150N	SL5040N	SL5202N	SL5212N	SL5050N	SL5076N	SL5075N	-	SL5090N	-	SL5222N	-
w/l 200/280	SL5155N	SL5045N	SL5204N	SL5214N	SL5055N	SL5081N	SL5080N	-	SL5095N	-	SL5224N	-
w/l 200/200 sl	SL5160N	SL5047N	-	SL5216N	-	-	SL5082N	-	SL5096N	-	SL5226N	-
Special Length	SL5165N	SL5048N	SL5208N	SL5218N	SL5058N	-	SL5084N	-	SL5098N	-	SL5228N	-

F 16 80x120 8N												
w/l 200/140	SL5170N	-	-	SL5230N	-	-	SL6000N	-	SL5250N	-	SL6015N	-
w/l 200/200	SL5175N	-	-	SL5232N	SL5242N	-	SL6005N	SL5060N	SL5252N	SL5262N	SL6020N	SL6072N
w/l 200/280	SL5180N	-	-	SL5234N	SL5244N	-	SL6010N	SL5065N	SL5254N	SL5264N	SL6025N	SL6074N
w/l 200/200 SL	SL5185N	-	-	SL5236N	-	-	SL6012N	-	SL5256N	-	SL6066N	-
Special Length	SL5190N	-	-	SL5238N	SL5248N	-	SL6014N	SL5068N	SL5258N	SL5268N	SL6068N	SL6078N

**Linear Systems 25**


P. Assembly Tensioner Timing Belt	without – –	80 x 80 Internal AT 10/50	80 x 100 Internal AT 10/50	80 x 120 Internal AT 10/50	80 x 120 External AT 10/50	80 x 160 Internal 2 x AT 10/50	120 x 120 - 75 Internal AT 10/75
F25 80x80							
w/1280/280 Special Length	SL5500N SL5502N	SL5504N SL5506N	SL5508N SL5510N	SL5512N SL5514N	– –	– –	– –

F25 80x160							
w/1360/360 Special Length	SL5520N SL5522N	SL5524N SL5526N	SL5528N SL5530N	SL5532N SL5534N	– –	SL5536N SL5538N	– –

F25 120x120							
w/1320/320 Special Length	SL5550N SL5552N	SL5554N SL5556N	SL5558N SL5560N	SL5566N SL5568N	SL5570N SL5572N	– –	SL5574N SL5576N

**Linear Systems 16 with Omega drive**

Pulley Assembly Timing Belt	Omega Drive 22 AT 10/22	Pulley Assembly Timing Belt	Omega Drive 50 AT 10/50	Pulley Assembly Timing Belt	Omega Drive 50 AT 10/50
F 16 40x80/40		F 16 80x80/G 50		F 16 80x80 + F 16 40x80/80	
w/1160/400 Special Length	SL5018N SL5019N	w/1200/400 Special Length	SL5229N SL5231N	w/1200/400 Special Length	SL5227N SL5233N

F 16 40x80/80 + F 16 40x80/80/G 50 Telescope Axis	
w/1200/400	SL5400N



Internal Guidances



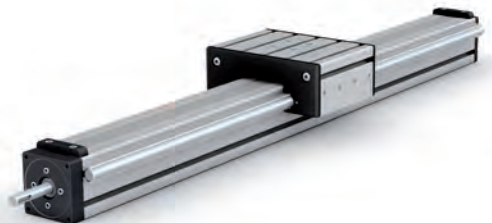
P. Assembly Belt/Spindle	40 x 40	120 x 120	Ball Screw	
	AT 10/22	AT 10/50	20 x 5	20 x 20
F 120 x 120				
w/l 120/120	-	SL4050N	-	-
Special Length	-	SL4055N	-	-

F 120 x 120				
w/l 120/225	-	-	SL4063N	SL4060N
Special Length	-	-	SL4064N	SL4061N

F 80 x 85	
w/l 80/200	SL4070N
Special Length	SL4075N

Ball Screw / Trapezoidal Screw

Shaft	Ball Screw		Trapezoidal Screw
	20 x 5	20 x 20	
F 16 80x80 open			
w/l 200/140	SL7000N	SL7002N	SL7003N
w/l 160/200	SL7005N	SL7007N	SL7008N
w/l 160/280	SL7010N	SL7012N	SL7013N
w/l 160/200 SL	SL7015N	SL7017N	SL7018N
Special Length	SL7020N	SL7022N	SL7023N

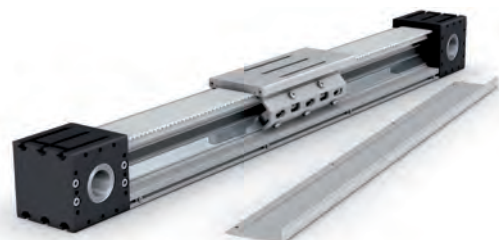


P. Assembly Timing Belt	80 x 90 AT 10/50
F 80/90	
w/l 80/200	SL5300N
Single Guidance	

P. Assembly Timing Belt	80 x 80 AT 10/50
F 80/90 double	
w/l 80/200	SL5350N
Double Guidance	

P. Assembly Timing Belt	120 x 120 - 75 AT 10/75
120 x 120 AT 10/75 plastic rollers	
w/l 120/200	SL5360N
Single Guidance	

P. Assembly Timing Belt	120 x 120 - 75 AT 10/75
120 x 120 AT 10/75 steel rollers	
w/l 120/200	SL5370N
Single Guidance	



**C-Tracks**


P. Assembly Timing Belt	without -	C 40/57 AT 3/10	C 40/100 AT 5/16	C 80/100 AT 10/22	C-Omega Dr. AT 5/16
C 30/43					
w/1 140/8	SL4000N	-	-	-	-
w/1 280/8	SL4005N	-	-	-	-
w/1 120/225	SL4006N	-	-	-	-
Special Length	SL4008N	-	-	-	-

C 40/57					
w/1 140/8	SL4009N	SL4010N	-	-	-
w/1 280/8	SL4014N	SL4015N	-	-	-
Special Length	SL4016N	SL4017N	-	-	-

C 40/100					
w/1 140/3	SL4019N	-	SL4020N	-	-
w/1 280/4	SL4024N	-	SL4025N	-	-
Special Length	SL4026N	-	SL4027N	-	-

C 80/100					
w/1 140/6	SL4029N	-	-	SL4030N	-
w/1 280/8	SL4034N	-	-	SL4035N	-
Special Length	SL4036N	-	-	SL4037N	SL4038N

C 80/100	
w/1 140/3	SL4040N
w/1 280/4	SL4045N
Special Length	SL4046N

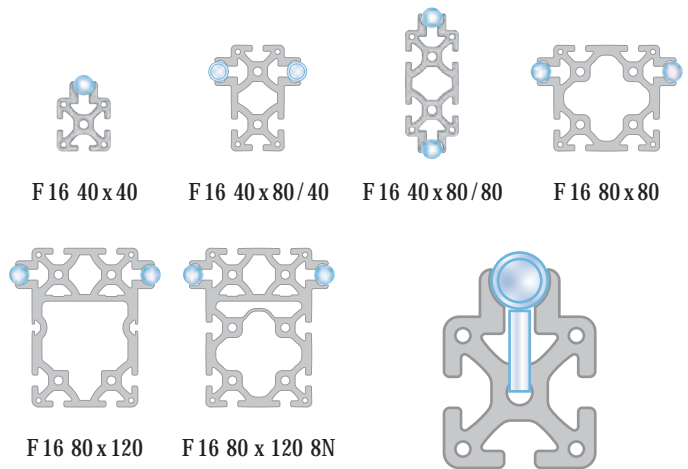
Recirculating Ball Slides	
w/1 80	SL4080N
w/1 120	SL4082N
w/1 160	SL4084N
Special Length	SL4086N

Glider Slides	
w/1 80	SL4090N
w/1 120	SL4092N
w/1 160	SL4094N
Special Length	SL4096N



**Track Profiles 16**

The *Paletti* actuator system 16 is based on several types of track profiles and carriages. The carriages run on 16 mm diameter steel rails that are pressed into the track profiles. Specific loading, speeds and acceleration are catered to by using a combination of drive units, timing belt widths and carriage lengths that meet the needs of most designers.



F 16 40 x 40

F 16 40 x 80 / 40

F 16 40 x 80 / 80

F 16 80 x 80

F 16 80 x 120

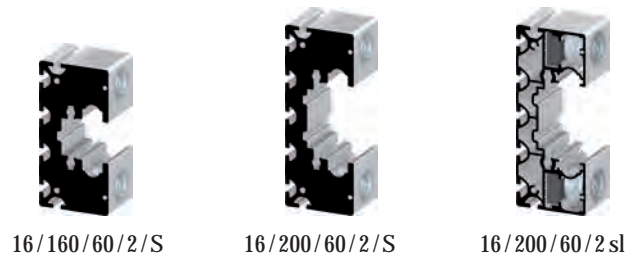
F 16 80 x 120 8N

The ground steel rails are pressed into the profile slot on each side of the track profile and forms a rigid and stable unit.

The guide rails in highly dynamic systems are doweled to the profile or fixed with plates at the end of the profile. This procedure prevents the rails from moving in the profile.

**Carriage Profiles And Carriages 16**

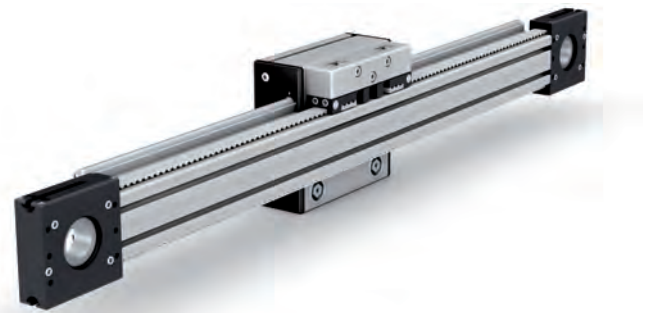
The carriages are made from one extruded profile and come in several standard sizes. Specific carriage lengths of up to 2300 mm long are manufactured to meet the needs of each specific application. For high load systems the carriages are manufactured with additional rollers or as a combination of shaped and flat rollers. Should rollers need to be changed, standard carriages are made with service pockets so the rollers can be serviced or replaced with the carriage in place. The rollers are adjusted via two excentric axes and fixed using a double locking mechanism of a large locknut retained in position by a grub screw. A Wiper and Lubrication System lubricates the rollers and guide rails with felt pads which retain lubricant. For high dynamic loads we recommend the use of our external lubricant. For carriages with short strokes, lubrication of the rollers may not be guaranteed and in such cases service pockets with internal felt pads to wipe and lubricate the system are required. The timing belt is attached to the carriage by internal or external timing belt tensioners.



16/160/60/2/S

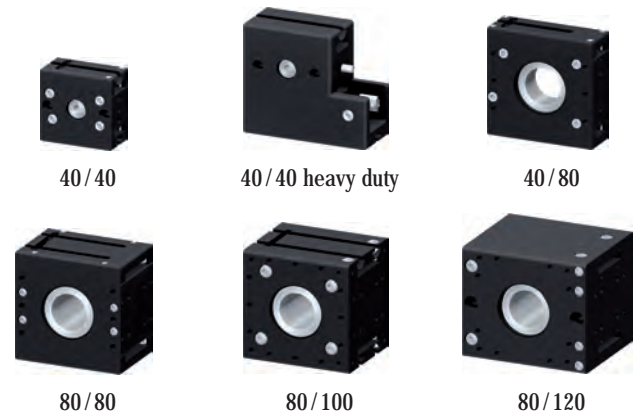
16/200/60/2/S

16/200/60/2/sl



**Pulley Assemblies**

The pulley assemblies are manufactured for timing belts AT 10/22 and AT 10/50. The motor is attached using standard motor attachment flange plates or plates to suit customer requirements. The bore of the pulley assembly is either plain or comes with a shrunken steel insert to suit customer drive requirements. Motors can be either direct drive or via flexible couplings and timing belt gearing can also be provided.



40/40

40/40 heavy duty

40/80

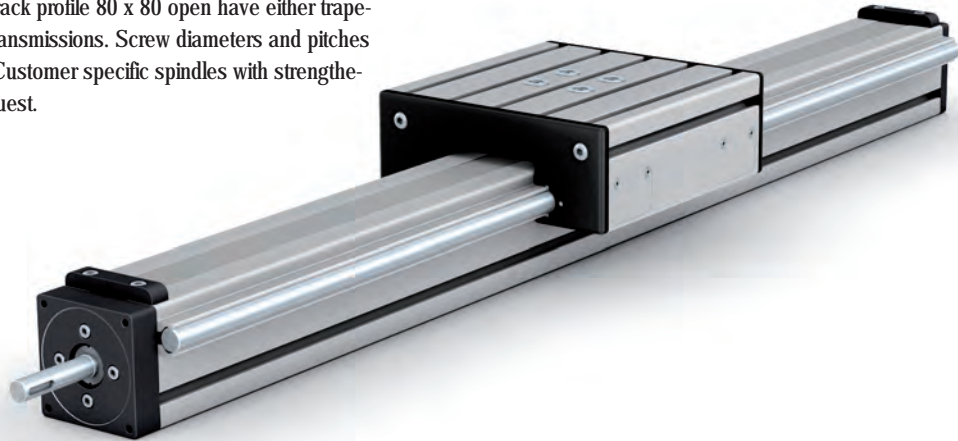
80/80

80/100

80/120

### Trapezoidal / Ball Screw Transmission

Linear actuator system 16 using track profile 80 x 80 open have either trapezoidal or recirculating ball screw transmissions. Screw diameters and pitches of 20 x 20 or 20 x 5 are standard. Customer specific spindles with strengthened bearings are available on request.



### Linear Actuators 16 with Omega drive

The omega drive is manufactured for timing belts AT 10 / 22 and AT 10 / 50. The carriage becomes the fixed part and motion is transferred to the profile axis. Standard ranges of omega drives are either attached to carriages or stand-alone for special customer applications.



Omega Drive AT 10/22



Omega Drive 22 with carriage



Omega Drive AT 10/50



Omega Drive 50 with carriage



Omega Drive 50 closed



Telescope Axis 16  
40 x 80 + 40 x 80 / 200 / G 50



Linear Actuator 16  
80 x 80 + 40 x 80 / 80 / G 50

End Attachment Plate

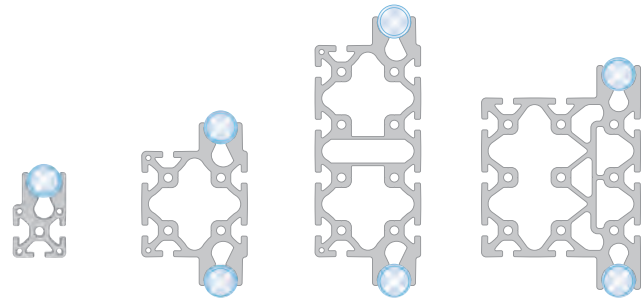
Timing Belt Tensioner, external

Omega Drive 50, with carriage bore diameter: Ø 40<sup>H7</sup>

Various carriage attachment plates significantly increase the overall system stability.

**Track Profiles 25**

The *Paletti* actuator system 25 is based on several types of track profiles and carriages. The carriages run on 25 mm diameter steel rails that are pressed into the track profiles. Specific loading, speeds and acceleration are catered to by using a combination of drive units, timing belt widths and carriage lengths that meet the needs of most designers



F 25 40 x 40

F 25 80 x 80

F 25 80 x 160

F 25 120 x 120

The ground steel rails are pressed into the profile slot on each side of the track profile and form a rigid stable unit. Within highly dynamic systems they are doweled to the profile.

**Carriages 25**

The *Paletti* carriages 25 come in several standard sizes. Specific carriage lengths of up to 700 mm long are manufactured to meet the needs of each specific application. For high load systems the carriages are manufactured with additional rollers or as a combination of shaped and flat rollers. Should rollers need to be changed, standard carriages are made with service pockets so the rollers can be serviced or replaced with the carriage in place. The rollers are adjusted via two eccentric axes and fixed using a double locking mechanism of a large lock nut retained in position by a grub screw. A Wiper and Lubrication System lubricates the rollers and guide rails with felt pads which retain lubricant. For carriages with short strokes, lubrication of the rollers may not be guaranteed and in such cases service pockets with internal felt pads to wipe and lubricate the system are required. The timing belt is attached to the carriage by internal or external timing belt tensioners.



25/280/280/4/S

25/320/320/4/S

25/360/360/4/S



**Pulley Assemblies**

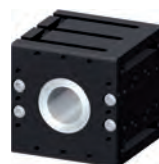
The pulley assemblies are manufactured for timing belts AT 10/50 and AT 10/75. The motor is attached using standard motor attachment flange plates or plates to suit customer requirements. The bore of the pulley assembly is either plain or comes with a shrunk steel insert to suit customer drive requirements. Motors can be either direct drive or via flexible couplings and timing belt gearing can also be provided.



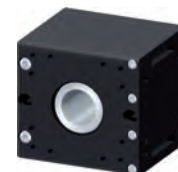
80/80



80/100



120/120 - 75



80/120

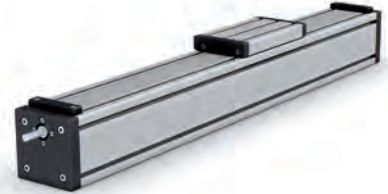
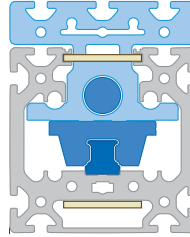


80/160

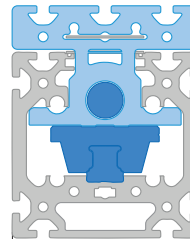


**Internally Guided Actuator 120 x 120**
**Ball Screw With Recirculating Steel Ball Guide Rail**

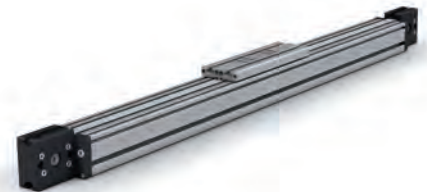
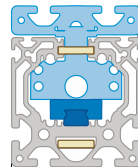
The actuator 120 x 120 is guided by means of an internal 25 mm recirculating steel ball guide rail. The unit is driven via ball screw and is maintenance free in operation. In order to guard the internal steel guide rail against contaminants, *Paletti* incorporates a textile cover strip in the actuator.


**Internally Guided Actuator 120 x 120**
**Belt Drive With Recirculating Steel Ball Guide Rail**

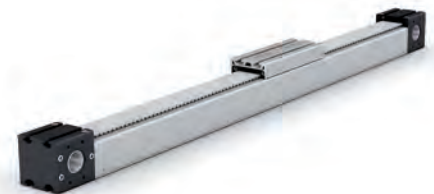
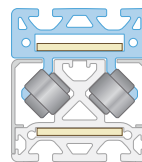
The belt driven actuator 120 x 120 is guided by means of an internal 25 mm recirculating steel ball guide rail. A 50 mm wide AT 10 timing belt is used in combination with the pulley assembly 80 / 120 to drive the unit. The belt also acts as a cover in order to guard the internal steel guide rail against contaminants.


**Internally Guided Actuator 80 x 100**
**Belt Drive With Recirculating Steel Ball Guide Rail**

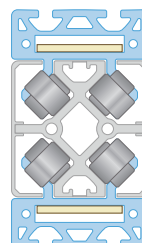
The belt driven actuator 80 x 85 is guided by means of an internal 15 mm recirculating steel ball guide rail. A 22 mm wide AT 10 tooth belt is used in combination with the pulley assembly 40 / 40 to drive the unit. The belt also acts as a cover in order to guard the internal steel guide rail against contaminants.


**Internally Guided Actuator 80 / 90**
**Single Axis Actuator**

The internally guided actuator 80 / 90 can be mounted and operated at any angle due to its unique roller guided design. This unit is maintenance free due to its engineered plastic rollers. A 50 mm wide AT 10 timing belt is used in combination with the pulley assembly 80 / 90 to drive the unit and also acts as a cover.

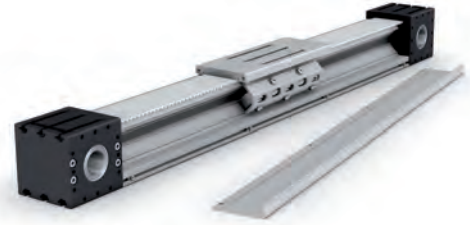
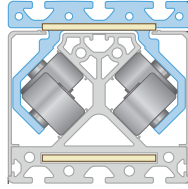

**Internally Guided Actuator 80 / 90**
**Double Axis Acuator**

The internally guided actuator 80 / 90 can be mounted and operated at any angle due to its unique roller guided design, and allows two carriages to be driven in opposite direction to one another. This unit is maintenance free due to its engineered plastic rollers. A 50 mm wide AT 10 timing belt is used in combination with the pulley assembly 80 / 90 to drive the unit and also acts as a cover.



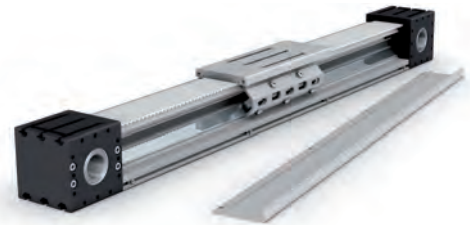
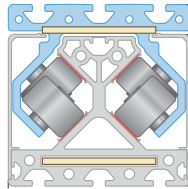
**Internally Guided Actuator 120 x 120**  
Single Axis Actuator With Plastic Rollers

The internally guided actuator 120 x 120 AT 10/75 can be mounted and operated at any angle due to its unique roller guided design. This unit is maintenance free due to its engineered plastic rollers. A 75 mm wide AT 10 timing belt is used in combination with the tooth belt guide 120/120 - 75 to drive the unit and also acts as a cover.



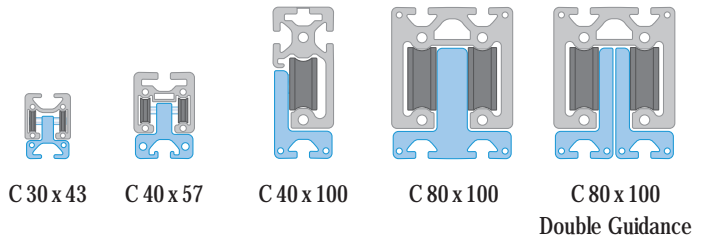
**Internally Guided Actuator 120 x 120**  
Single Axis Actuator With Steel Rollers

The internally guided actuator 120 x 120 AT 10/75 can be mounted and operated at any angle due to its unique roller guided design, and is maintenance free. This unit has larger load carrying capacity than the plastic roller version due to use of steel rollers riding on a steel strip in the unit. A 75 mm wide AT10 timing belt is used in combination with the timing belt guide 120/120 - 75 to drive the unit and also acts as a cover.



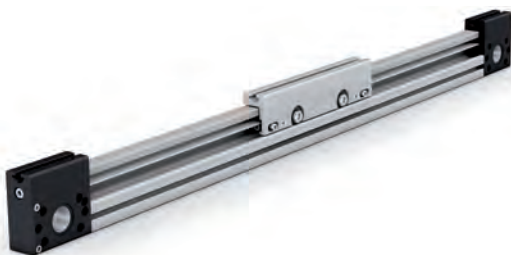
**C-Tracks**  
With Plastic Rollers And Timing Belt

The *Paletti* C-track linear actuator system is based on a large selection of track and carriage profiles. Plastic rollers made from POM run directly in the aluminum profile. Pulley assemblies are selected based upon the track profiles which are used, and are tensioned internally to the carriage. C-track actuators are especially suited for rolling door applications.



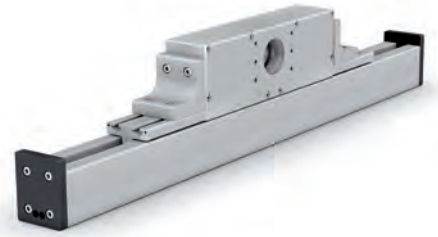
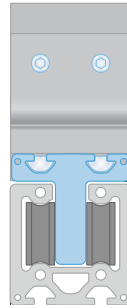
**C-Pulley Assemblies**

The C-pulley assemblies are used together with AT 3 - 10 mm wide, AT 5 - 16 mm wide and AT 10 - 22 mm wide timing belts. The motor connection is made to the customer's requirements, and *Paletti* will also provide the adapter plates and couplings if desired.



### Omega Drive C-Type

The Omega drive is manufactured for the *Paletti* C 80/100 linear actuator system. The drive is transferred from the end of the actuator to the carriage which is now fixed, thereby transferring movement to the track profile.



### Recirculating Ball Slide

The *Paletti* recirculating ball slide system uses an aluminum guidance rail and recirculating ball carriage that houses plastic ball bearings. The ball bearings go around in four guidance bores and are returned back through the carriage by plastic end caps attached to each end of the carriage.

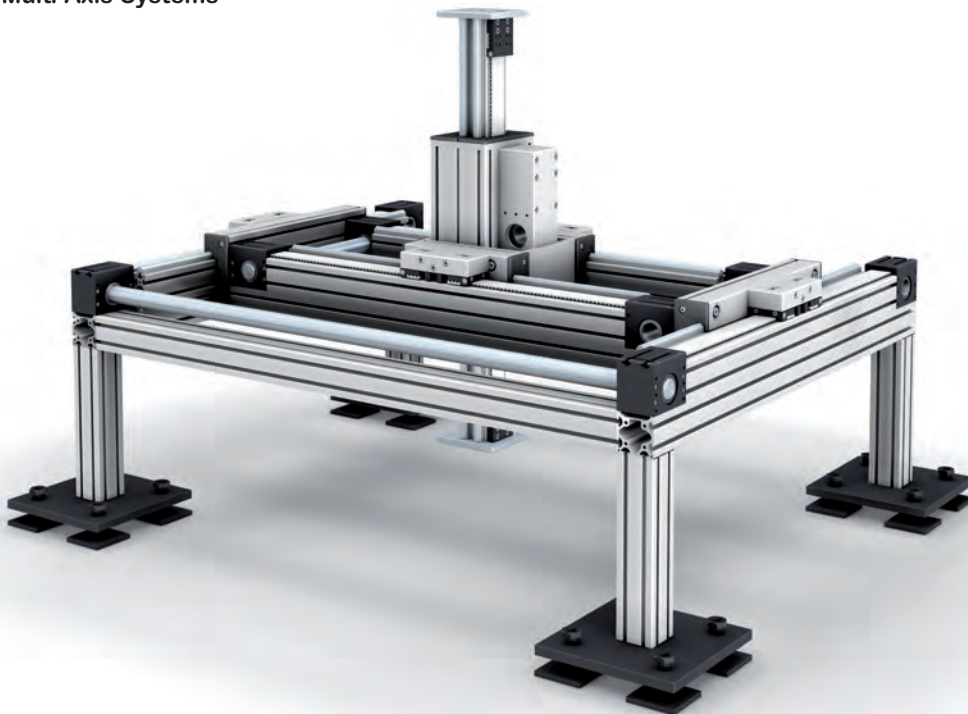


### Glider Slide

The *Paletti* glider slide guidance system uses an aluminum guidance rail and carriage that has four open round channels. Each channel holds up to four small plastic rods. The rods are retained by plastic end caps attached to each end of the carriage.



### Multi Axis Systems



*The combination of individual linear actuator systems allows the assembly of complex multi axis systems to customer specifications. Using the extensive range of linear motion system accessories, the application complexity can also be accentuated afterwards.*

40

Linear Actuator Systems 16



SL5100N



SL5000N



SL5001N



SL5002N



SL5125N



SL5025N



SL5150N



SL5040N



SL5202N



SL5212N



SL5050N



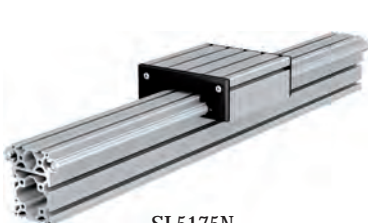
SL5075N



SL5090N



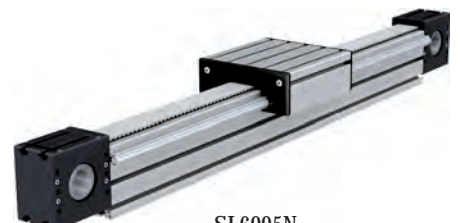
SL5222N



SL5175N



SL5232N



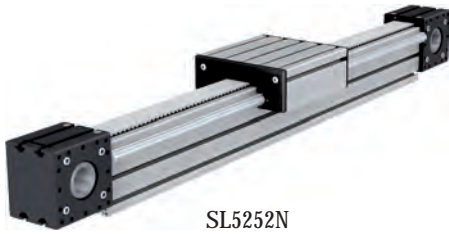
SL6005N



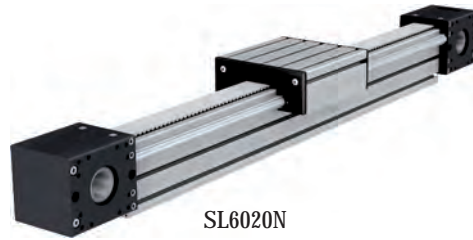
SL5242N



SL5060N



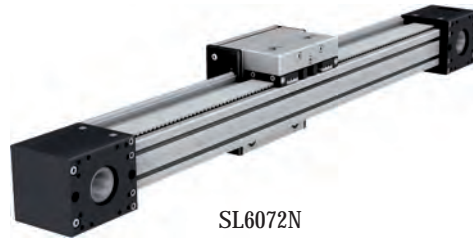
SL5252N



SL6020N



SL5262N



SL6072N



SL7005N, SL7007N

Ball Bearing Screw 20 x 5, Ball Bearing Screw 20 x 5



SL7008N

Trapezoidal Screw

40

Linear Actuator Systems 16 with Omega Drive



SL5018N



SL5229N



SL5290N



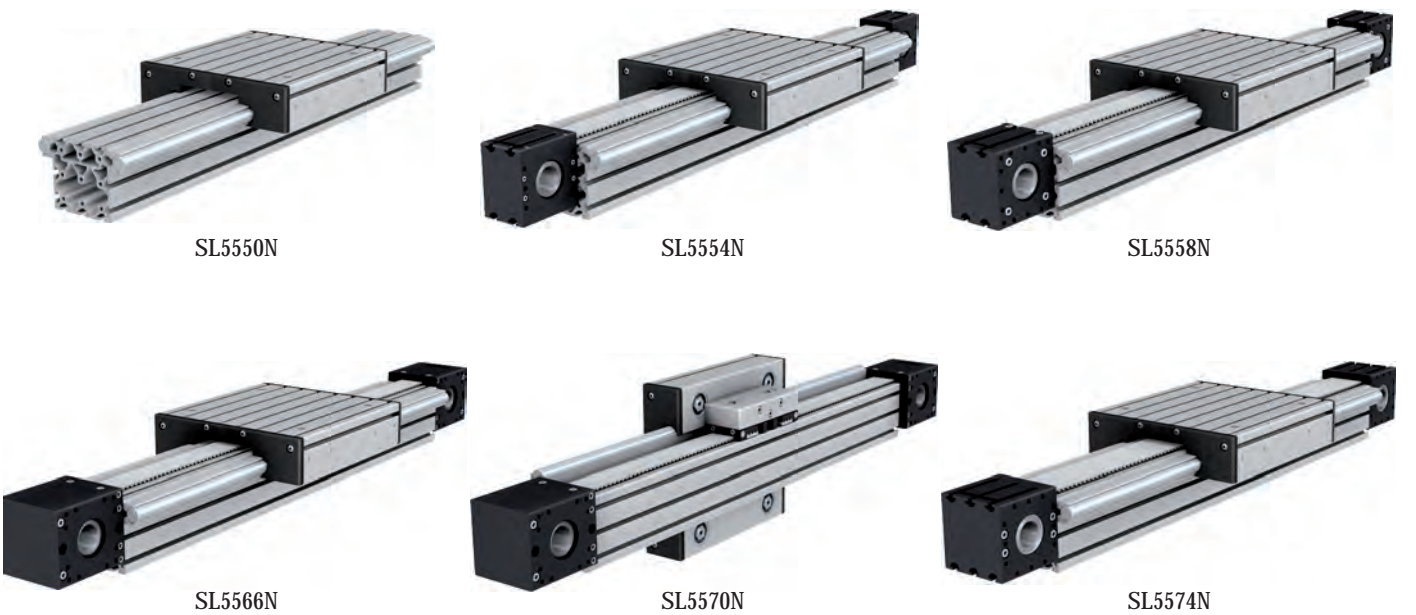
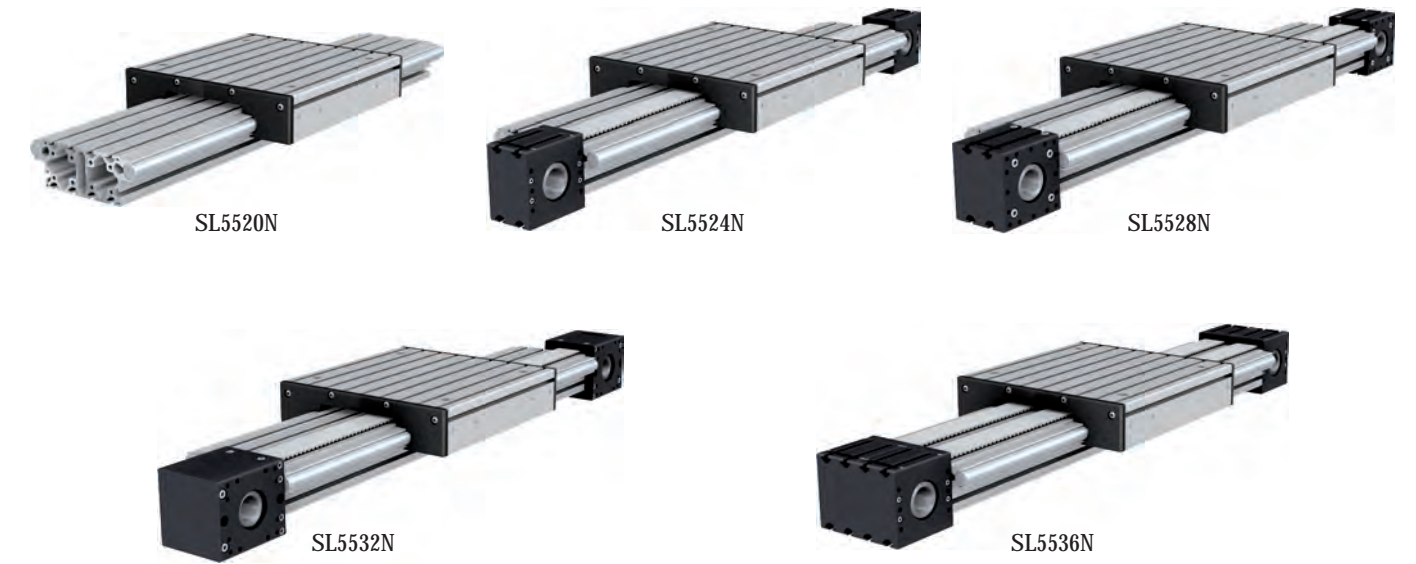
SL5227N

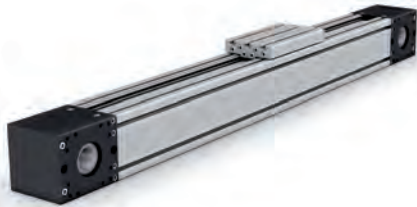


SL5400N  
Telescope Axis

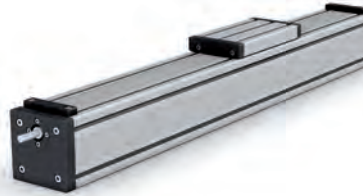
40

Linear Actuator Systems 25

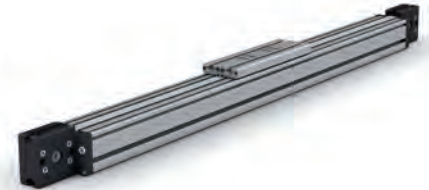


**40** Internal Drive Systems

SL4050N  
Internal Drive System 120 x 120



SL4063N  
Ball Bearing Screw / Trapezoidal Screw



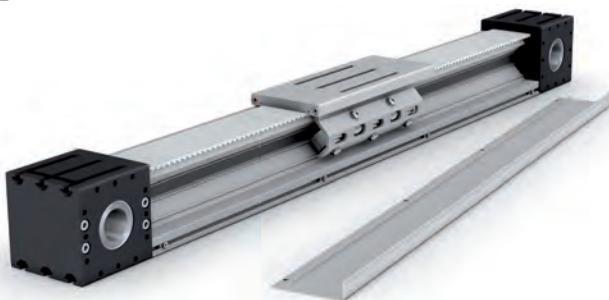
SL4070N  
Internal Drive System 80 x 85

**40** Internal Drive Systems 80 / 90

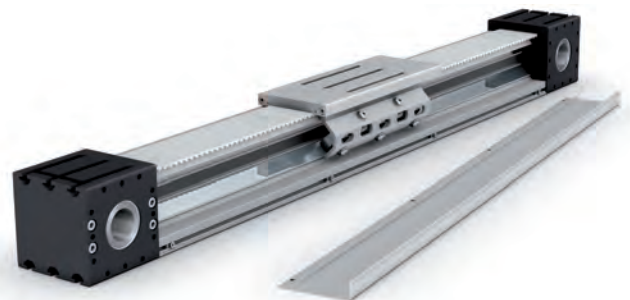
SL5300N  
Single Guidance



SL5350N  
Double Guidance

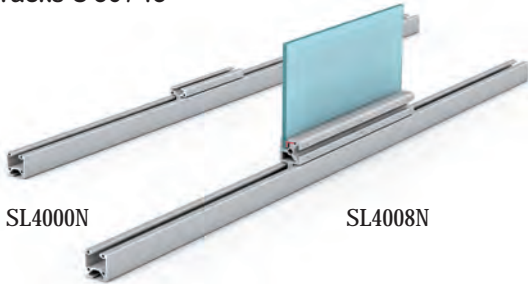
**40** Internal Drive Systems 120 / 120

SL5360N  
Plastic Roller Guidance



SL5370N  
Steel Roller Guidance

**30** C-Tracks C 30 / 43



**40** C-Tracks C 40 / 57



**40** C-Tracks C 40 / 100



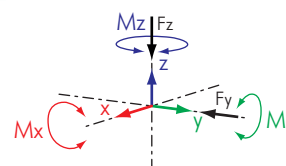
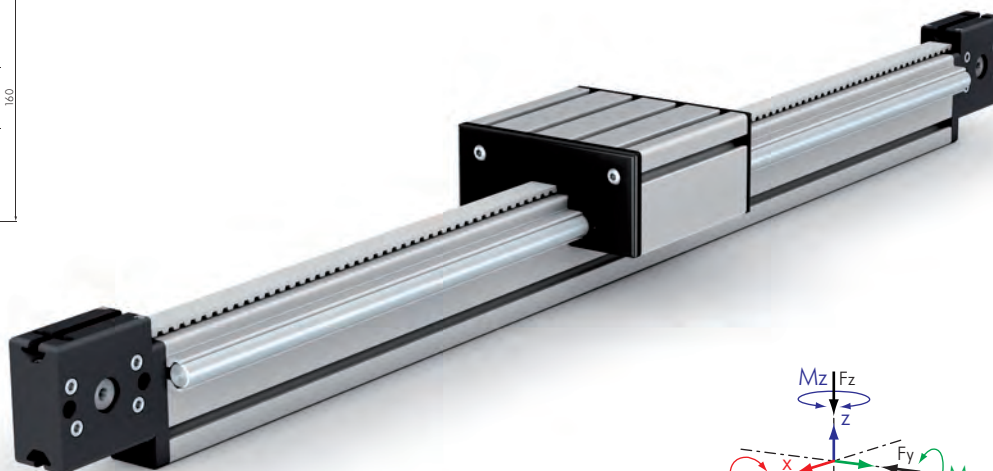
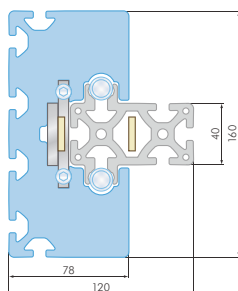
**40** C-Tracks C 80 / 100



**40** Recirculating Ball Slide / Glider Slide







Pulley Assembly	without	40 x 40	40 x 80	40 x 40 heavy duty
Tensioner	–	Internal	Internal	Internal
Timing Belt	–	AT 10 / 22	AT 10 / 22	AT 10 / 22
W/L 160 / 140	SL5100N	SL5000N	SL5001N	SL5002N
Fz	2000N	2000N	2000N	2000N
Fy	3900N	3900N	3900N	3900N
Mz	155Nm	155Nm	155Nm	155Nm
My	80Nm	80Nm	80Nm	80Nm
Mx	60Nm	60Nm	60Nm	60Nm
W/L 160 / 280	SL5110N	SL5005N	SL5004N	SL5003N
Fz	2000N	2000N	2000N	2000N
Fy	3900N	3900N	3900N	3900N
Mz	425Nm	425Nm	425Nm	425Nm
My	220Nm	220Nm	220Nm	220Nm
Mx	60Nm	60Nm	60Nm	60Nm
Special Length (mm)	SL5115N	SL5008N	SL5006N	SL5007N
Fz	2000N	2000N	2000N	2000N
Fy	3900N	3900N	3900N	3900N
Mz	up to length	up to length	up to length	up to length
My	up to length	up to length	up to length	up to length
Mx	60Nm	60Nm	60Nm	60Nm

W carriage width  
 L carriage length

#### Carriage 16 / 160 / ...

- maximum speed: 8 m/s
- use only with wiper and lubrication system
- lubrication intervals according to loading

#### Track Profile F 16 40 x 80 / 40

(without guidance rails)

$$I_x = 102.09 \text{ cm}^4$$

$$I_y = 37.21 \text{ cm}^4$$

$$W_x = 24.19 \text{ cm}^3$$

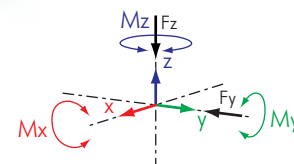
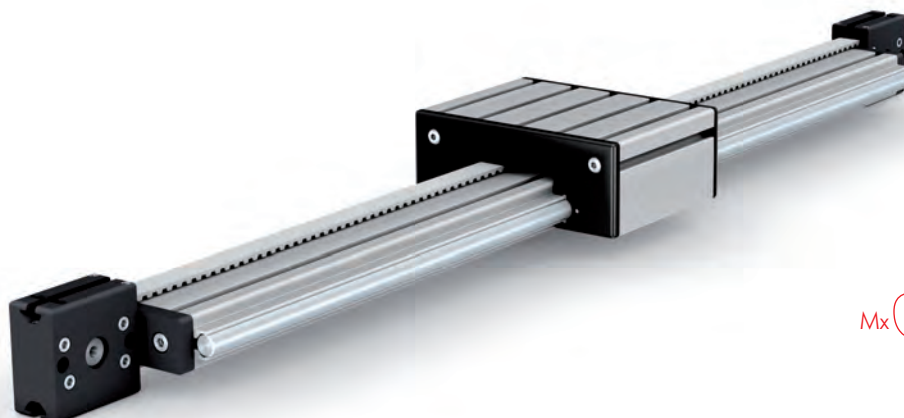
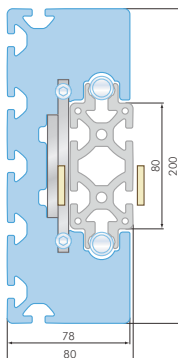
$$W_y = 11.45 \text{ cm}^3$$

$$G = 4.75 \text{ kg/m}$$

**Standard Delivery:** complete linear actuator inclusive of track profile, carriage, wiper and lubrication system, pulley assembly with customer specific motor connection on request.

**Optional:** proximity and end of stroke switches, end stops, motor coupling, motors, energy cable.

**Carriage Options:** Carriage lengths of up to 2.3 m are available. For high load systems it may be advisable to add further rollers. By having a combination of guidance and flat faced rollers the permissible actuator loading values may be increased. For long periods of continuous operation it is advisable to use our external lubrication system type E.



Pulley Assembly	without	40 x 40
Tensioner	–	Internal
Timing Belt	–	AT 10 / 22
W / L 200 / 140	SL5120N	SL5020N
Fz	2000N	2000N
Fy	3900N	3900N
Mz	155Nm	155Nm
My	80Nm	80Nm
Mx	100Nm	100Nm
W / L 200 / 200	SL5125N	SL5025N
Fz	2000N	2000N
Fy	3900N	3900N
Mz	270Nm	270Nm
My	140Nm	140Nm
Mx	100Nm	100Nm
W / L 200 / 280	SL5130N	SL5130N
Fz	2000N	2000N
Fy	3900N	3900N
Mz	425Nm	425Nm
My	220Nm	220Nm
Mx	100Nm	100Nm
Special length	SL5135N	SL5031N
Fz	2000N	2000N
Fy	3900N	3900N
Mz	up to length	up to length
My	up to length	up to length
Mx	100Nm	100Nm

**Carriage 16 / 200 / ...**

- maximum speed: 8 m/s
- use only with wiper and lubrication system
- lubrication intervals according to loading

**Track Profile F 16 40 x 80 / 40**

(without guidance rails)

$$I_x = 132.43 \text{ cm}^4$$

$$I_y = 26.60 \text{ cm}^4$$

$$W_x = 25.22 \text{ cm}^3$$

$$W_y = 13.30 \text{ cm}^3$$

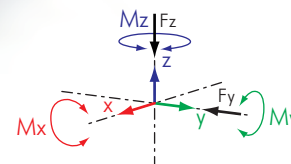
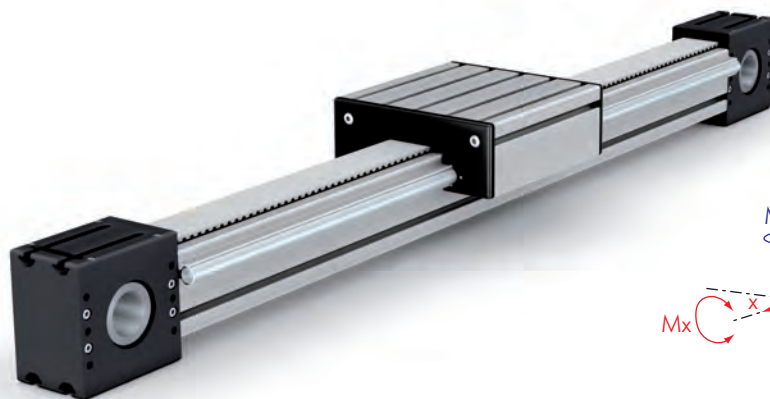
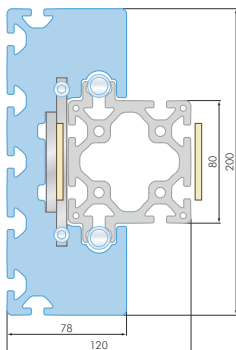
$$G = 4.75 \text{ kg/m}$$

W carriage width  
L carriage length

**Standard Delivery:** complete linear actuator inclusive of track profile, carriage, wiper and lubrication system, pulley assembly with customer specific motor connection on request

**Optional:** proximity and end of stroke switches, end stops, motor coupling, motors, energy cable.

**Carriage Options:** Carriage lengths of up to 2.3 m are available. For high load systems it may be advisable to add further rollers. By having a combination of guidance and flat faced rollers the permissible actuator loading values may be increased. For long periods of continuous operation it is advisable to use our external lubrication system type E.



Pulley Assembly Tensioner Timing Belt	40 x 40 Internal AT 10 / 22	40 x 80 Internal AT 10 / 22	80 x 90 Internal AT 10 / 50	80 x 80 Internal AT 10 / 50	80 x 100 Internal AT 10 / 50	80 x 120 Internal AT 10 / 50
W / L 200 / 140	SL5035N	SL5210N	SL5071N	SL5070N	SL5085N	SL5220N
Fz	2000N	2000N	2000N	2000N	2000N	2000N
Fy	3900N	3900N	3900N	3900N	3900N	3900N
Mz	155Nm	155Nm	155Nm	155Nm	155Nm	155Nm
My	80Nm	80Nm	80Nm	80Nm	80Nm	80Nm
Mx	100Nm	100Nm	100Nm	100Nm	100Nm	100Nm
W / L 200 / 200	SL5040N	SL5212N	SL5076N	SL5075N	SL5090N	SL5222N
Fz	2000N	2000N	2000N	2000N	2000N	2000N
Fy	3900N	3900N	3900N	3900N	3900N	3900N
Mz	270Nm	270Nm	270Nm	270Nm	270Nm	270Nm
My	140Nm	140Nm	140Nm	140Nm	140Nm	140Nm
Mx	100Nm	100Nm	100Nm	100Nm	100Nm	100Nm
W / L 200 / 280	SL5045N	SL5214N	SL5081N	SL5080N	SL5095N	SL5224N
Fz	2000N	2000N	2000N	2000N	2000N	2000N
Fy	3900N	3900N	3900N	3900N	3900N	3900N
Mz	425Nm	425Nm	425Nm	425Nm	425Nm	425Nm
My	220Nm	220Nm	220Nm	220Nm	220Nm	220Nm
Mx	100Nm	100Nm	100Nm	100Nm	100Nm	100Nm
W / L 200 / 200 sl	SL5047N	SL5216N	–	SL5082N	SL5096N	SL5226N
Fz	2000N	2000N	–	2000N	2000N	2000N
Fy	3900N	3900N	–	3900N	3900N	3900N
Mz	210Nm	210Nm	–	210Nm	210Nm	210Nm
My	110Nm	110Nm	–	110Nm	110Nm	110Nm
Mx	80Nm	80Nm	–	80Nm	80Nm	80Nm
Special Length (mm)	SL5048N	SL5218N	–	SL5084N	SL5098N	SL5228N
Fz	2000N	2000N	–	2000N	2000N	2000N
Fy	3900N	3900N	–	3900N	3900N	3900N
Mz	up to length	up to length	–	up to length	up to length	up to length
My	up to length	up to length	–	up to length	up to length	up to length
Mx	100Nm	100Nm	–	100Nm	100Nm	100Nm

**Carriage 16 / 200 / ...**

- maximum speed: 8 m/s
- use only with wiper and lubrication system
- lubrication intervals according to loading

**Track Profile F 16 80 x 80**

(without guidance rails)

$$I_x = 212.89 \text{ cm}^4$$

$$I_y = 182.47 \text{ cm}^4$$

$$W_x = 40.55 \text{ cm}^3$$

$$W_y = 43.97 \text{ cm}^3$$

$$G = 7.60 \text{ kg/m}$$

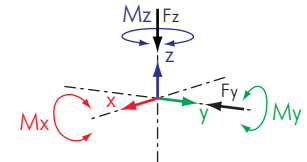
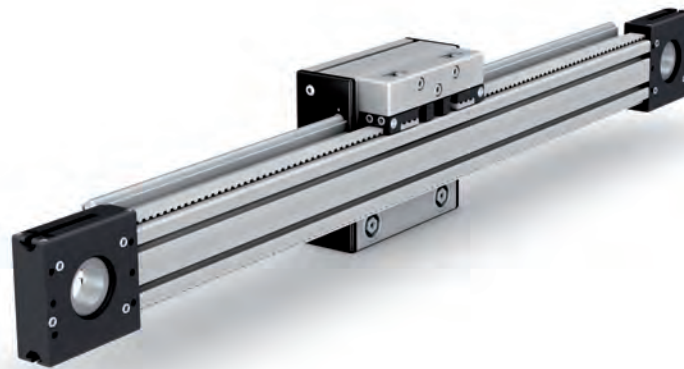
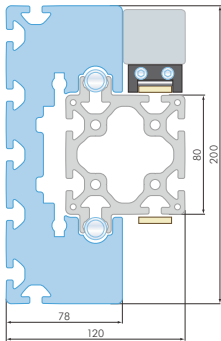
W carriage width

L carriage length

**Standard Delivery:** complete linear actuator inclusive of track profile, carriage, wiper and lubrication system, pulley assembly with customer specific motor connection on request.

**Optional:** proximity and end of stroke switches, end stops, motor coupling, motors, energy cable.

**Carriage Options:** Carriage lengths of up to 2.3 m are available. For high load systems it may be advisable to add further rollers. By having a combination of guidance and flat faced rollers the permissible actuator loading values may be increased. For long periods of continuous operation it is advisable to use our external lubrication system type E.



Pulley Assembly	without	40 x 40	40 x 80
Tensioner	–	External	External
Timing Belt	–	AT 10 / 22	AT 10 / 22
W / L 200 / 140	SL5145N	–	–
Fz	2000N		
Fy	3900N		
Mz	155Nm		
My	80Nm		
Mx	100Nm		
W / L 200 / 200	SL5150N	SL5202N	SL5050N
Fz	2000N	2000N	2000N
Fy	3900N	3900N	3900N
Mz	270Nm	270Nm	270Nm
My	140Nm	140Nm	140Nm
Mx	100Nm	100Nm	100Nm
W / L 200 / 280	SL5155N	SL5204N	SL5055N
Fz	2000N	2000N	2000N
Fy	3900N	3900N	3900N
Mz	425Nm	425Nm	425Nm
My	220Nm	220Nm	220Nm
Mx	100Nm	100Nm	100Nm
W / L 200 / 200 sl	SL5160N	–	–
Fz	2000N		
Fy	3900N		
Mz	210Nm		
My	110Nm		
Mx	80Nm		
Special Length (mm)	SL5165N	SL5208N	SL5058N
Fz	2000N	2000N	2000N
Fy	3900N	3900N	3900N
Mz	up to length	up to length	up to length
My	up to length	up to length	up to length
Mx	100Nm	100Nm	100Nm

#### Carriage 16 / 200 / ...

- maximum speed: 8<sup>m</sup>/s
- use only with wiper and lubrication system
- lubrication intervals according to loading

#### Track Profile F 16 80 x 80

(without guidance rails)

$$I_x = 212.89 \text{ cm}^4$$

$$I_y = 182.47 \text{ cm}^4$$

$$W_x = 40.55 \text{ cm}^3$$

$$W_y = 43.97 \text{ cm}^3$$

$$G = 7.60 \text{ kg/m}$$

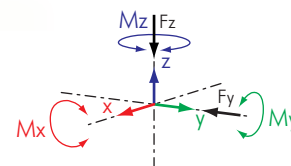
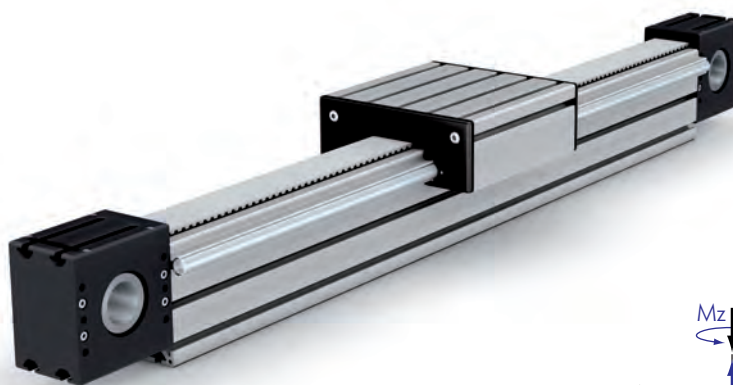
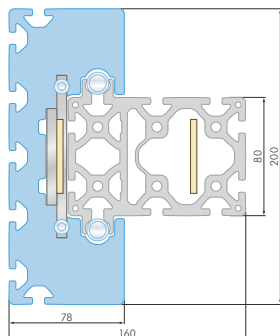
W carriage width

L carriage length

**Standard Delivery:** complete linear actuator inclusive of track profile, carriage, wiper and lubrication system, pulley assembly with customer specific motor connection on request.

**Optional:** proximity and end of stroke switches, end stops, motor coupling, motors, energy cable.

**Carriage Options:** Carriage lengths of up to 2.3 m are available. For high load systems it may be advisable to add further rollers. By having a combination of guidance and flat faced rollers the permissible actuator loading values may be increased. For long periods of continuous operation it is advisable to use our external lubrication system type E.



Pulley Assembly Tensioner Timing Belt	without	40 x 80 Internal AT 10 / 22	80 x 80 Internal AT 10 / 50	80 x 100 Internal AT 10 / 50	80 x 120 Internal AT 10 / 50
W / L 200 / 140	SL5170N	SL5230N	SL6000N	SL5250N	SL6015N
Fz	2000N	2000N	2000N	2000N	2000N
Fy	3900N	3900N	3900N	3900N	3900N
Mz	155Nm	155Nm	155Nm	155Nm	155Nm
My	80Nm	80Nm	80Nm	80Nm	80Nm
Mx	100Nm	100Nm	100Nm	100Nm	100Nm
W / L 200 / 200	SL5175N	SL5232N	SL6005N	SL5252N	SL6020N
Fz	2000N	2000N	2000N	2000N	2000N
Fy	3900N	3900N	3900N	3900N	3900N
Mz	270Nm	270Nm	270Nm	270Nm	270Nm
My	140Nm	140Nm	140Nm	140Nm	140Nm
Mx	100Nm	100Nm	100Nm	100Nm	100Nm
W / L 200 / 280	SL5180N	SL5234N	SL6010N	SL5254N	SL6025N
Fz	2000N	2000N	2000N	2000N	2000N
Fy	3900N	3900N	3900N	3900N	3900N
Mz	425Nm	425Nm	425Nm	425Nm	425Nm
My	220Nm	220Nm	220Nm	220Nm	220Nm
Mx	100Nm	100Nm	100Nm	100Nm	100Nm
W / L 200 / 200 sl	SL5185N	SL5236N	SL6012N	SL5256N	SL6066N
Fz	2000N	2000N	2000N	2000N	2000N
Fy	3900N	3900N	3900N	3900N	3900N
Mz	210Nm	210Nm	210Nm	210Nm	210Nm
My	110Nm	110Nm	110Nm	110Nm	110Nm
Mx	80Nm	80Nm	80Nm	80Nm	80Nm
Special Length (mm)	SL5190N	SL5238N	SL6014N	SL5258N	SL6068N
Fz	2000N	2000N	2000N	2000N	2000N
Fy	3900N	3900N	3900N	3900N	3900N
Mz	up to length	up to length	up to length	up to length	up to length
My	up to length	up to length	up to length	up to length	up to length
Mx	100Nm	100Nm	100Nm	100Nm	100Nm

### Carriage 16 / 200 / ...

- maximum speed: 8 m/s
- use only with wiper and lubrication system
- lubrication intervals according to loading

### Track Profile F 16 80 x 120 8N

(without guidance rails)

$$I_x = 311.19 \text{ cm}^4$$

$$I_y = 570.07 \text{ cm}^4$$

$$W_x = 59.27 \text{ cm}^3$$

$$W_y = 59.27 \text{ cm}^3$$

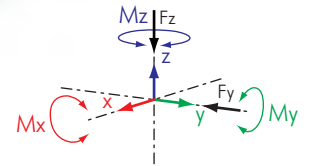
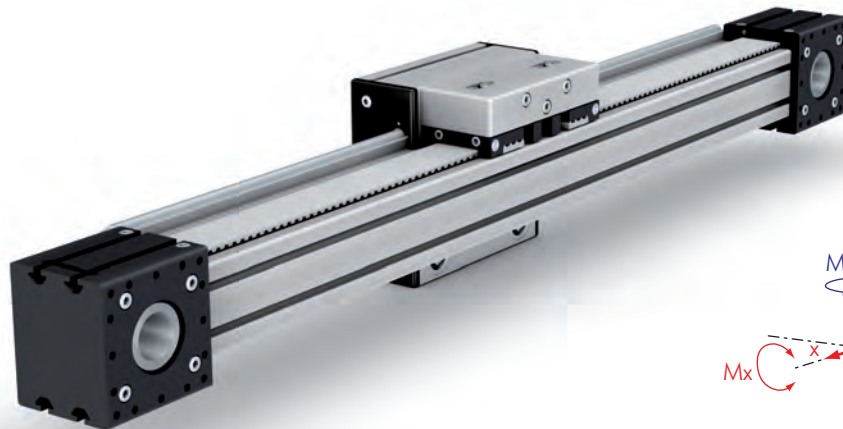
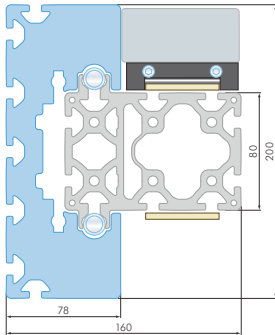
$$G = 11.00 \text{ kg/m}$$

W carriage width  
L carriage length

**Standard Delivery:** complete linear actuator inclusive of track profile, carriage, wiper and lubrication system, pulley assembly with customer specific motor connection on request.

**Optional:** proximity and end of stroke switches, end stops, motor coupling, motors, energy cable.

**Carriage Options:** Carriage lengths of up to 2.3m are available. For high load systems it may be advisable to add further rollers. By having a combination of guidance and flat faced rollers the permissible actuator loading values may be increased. For long periods of continuous operation it is advisable to use our external lubrication system type E.



Pulley Assembly Tensioner Timing Belt	without	40 x 80 Internal AT 10 / 22	80 x 80 Internal AT 10 / 50	80 x 100 Internal AT 10 / 50	80 x 120 Internal AT 10 / 50
W / L 200 / 140	SL5170N				
Fz	2000N				
Fy	3900N				
Mz	155Nm				
My	80Nm				
Mx	100Nm				
W / L 200 / 200	SL5175N	SL5242N	SL5060N	SL5262N	SL6072N
Fz	2000N	2000N	2000N	2000N	2000N
Fy	3900N	3900N	3900N	3900N	3900N
Mz	270Nm	270Nm	270Nm	270Nm	270Nm
My	140Nm	140Nm	140Nm	140Nm	140Nm
Mx	100Nm	100Nm	100Nm	100Nm	100Nm
W / L 200 / 280	SL5180N	SL5244N	SL5065N	SL5264N	SL6074N
Fz	2000N	2000N	2000N	2000N	2000N
Fy	3900N	3900N	3900N	3900N	3900N
Mz	425Nm	425Nm	425Nm	425Nm	425Nm
My	220Nm	220Nm	220Nm	220Nm	220Nm
Mx	100Nm	100Nm	100Nm	100Nm	100Nm
W / L 200 / 200 sl	SL5185N				
Fz	2000N				
Fy	3900N				
Mz	210Nm				
My	110Nm				
Mx	80Nm				
Special Length (mm)	SL5190N	SL5248N	SL5068N	SL5268N	SL6078N
Fz	2000N	2000N	2000N	2000N	2000N
Fy	3900N	3900N	3900N	3900N	3900N
Mz	up to length	up to length	up to length	up to length	up to length
My	up to length	up to length	up to length	up to length	up to length
Mx	100Nm	100Nm	100Nm	100Nm	100Nm

**Carriage 16 / 200 / ...**

- maximum speed: 8<sup>m/s</sup>
- use only with wiper and lubrication system
- lubrication intervals according to loading

**Track Profile F 16 80 x 120 8N**

(without guidance rails)

$$I_x = 311.19 \text{ cm}^4$$

$$I_y = 570.07 \text{ cm}^4$$

$$W_x = 59.27 \text{ cm}^3$$

$$W_y = 59.27 \text{ cm}^3$$

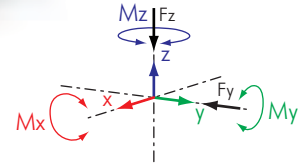
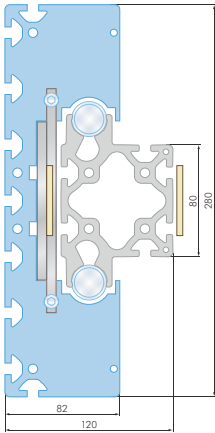
$$G = 11.00 \text{ kg/m}$$

W carriage width  
 L carriage length

**Standard Delivery:** complete linear actuator inclusive of track profile, carriage, wiper and lubrication system, pulley assembly with customer specific motor connection on request.

**Optional:** proximity and end of stroke switches, end stops, motor coupling, motors, energy cable.

**Carriage Options:** Carriage lengths of up to 2.3 m are available. For high load systems it may be advisable to add further rollers. By having a combination of guidance and flat faced rollers the permissible actuator loading values may be increased. For long periods of continuous operation it is advisable to use our external lubrication system type E.



Pulley Assembly Tensioner Timing Belt	without	80 x 80 Internal AT 10 / 50	80 x 100 Internal AT 10 / 50	80 x 120 Internal AT 10 / 50
W / L 200 / 140	SL5500N	SL5504N	SL5508N	SL5512N
Fz	3700N	3700N	3700N	3700N
Fy	7900N	7900N	7900N	7900N
Mz	710Nm	710Nm	710Nm	710Nm
My	330Nm	330Nm	330Nm	330Nm
Mx	205Nm	205Nm	205Nm	205Nm
W / L 200 / 200	SL5502N	SL5506N	SL5510N	SL5514N
Fz	3700N	3700N	3700N	3700N
Fy	7900N	7900N	7900N	7900N
Mz	up to length	up to length	up to length	up to length
My	up to length	up to length	up to length	up to length
Mx	205Nm	205Nm	205Nm	205Nm

**Carriage 25 / 280 / ...**

- maximum speed: 8 m/s
- use only with wiper and lubrication system
- lubrication intervals according to loading

**Track Profile F 25 80 x 80**

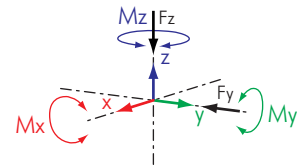
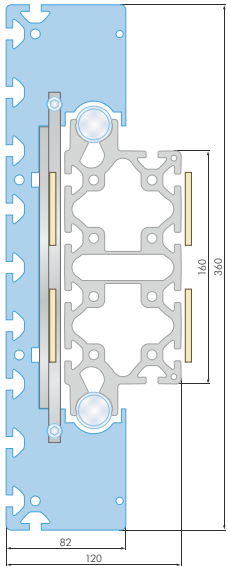
(without guidance rails)

- $I_x = 201.23 \text{ cm}^4$
- $I_y = 318.71 \text{ cm}^4$
- $W_x = 45.65 \text{ cm}^3$
- $W_y = 51.74 \text{ cm}^3$
- $G = 8.30 \text{ kg/m}$

**Standard Delivery:** complete linear actuator inclusive of track profile, carriage, wiper and lubrication system, pulley assembly with customer specific motor connection on request.

**Optional:** proximity and end of stroke switches, end stops, motor coupling, motors, energy cable.

**Carriage Options:** Carriage lengths of up to 700 mm are available. For high load systems it may be advisable to add further rollers. By having a combination of guidance and flat faced rollers the permissible actuator loading values may be increased. For long periods of continuous operation it is advisable to use our external lubrication system type E.



Pulley Assembly Tensioner Timing Belt	without – –	80 x 80 Internal AT 10 / 50	80 x 100 Internal AT 10 / 50	80 x 120 Internal AT 10 / 50	80 x 160 Internal 2 x AT 10 / 50
W / L 360 / 360	SL5520N	SL5524N	SL5528N	SL5532N	SL5536N
Fz	3700N	3700N	3700N	3700N	3700N
Fy	7900N	7900N	7900N	7900N	7900N
Mz	1030Nm	1030Nm	1030Nm	1030Nm	1030Nm
My	480Nm	480Nm	480Nm	480Nm	480Nm
Mx	355Nm	355Nm	355Nm	355Nm	355Nm
Special Length (mm)	SL5522N	SL5526N	SL5530N	SL5534N	SL5538N
Fz	3700N	3700N	3700N	3700N	3700N
Fy	7900N	7900N	7900N	7900N	7900N
Mz	up to length	up to length	up to length	up to length	up to length
My	up to length	up to length	up to length	up to length	up to length
Mx	355Nm	355Nm	355Nm	355Nm	355Nm

**Carriage 25 / 360 / ...**

- maximum speed: 8 m/s
- use only with wiper and lubrication system
- lubrication intervals according to loading

**Track Profile F 25 80 x 160**

(without guidance rails)

- $I_x = 368.46 \text{ cm}^4$
- $I_y = 1,611.71 \text{ cm}^4$
- $W_x = 86.49 \text{ cm}^3$
- $W_y = 158.43 \text{ cm}^3$
- $G = 13.82 \text{ kg/m}$

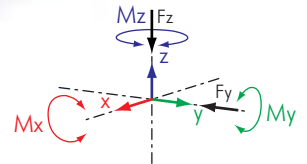
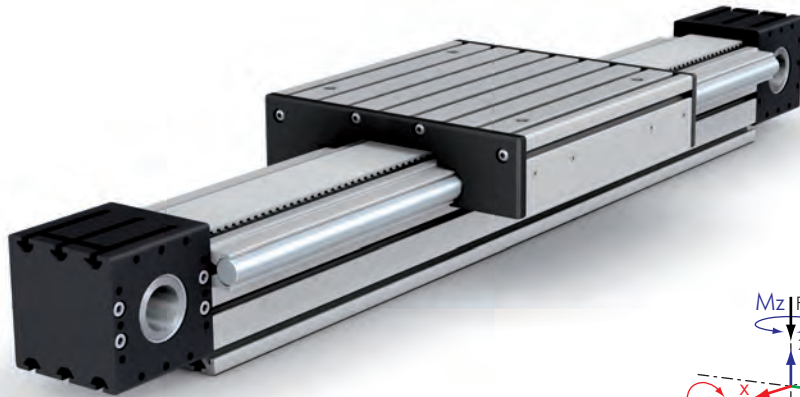
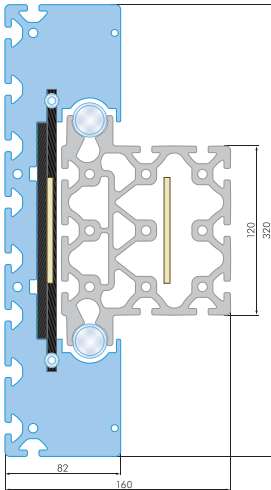
W carriage width  
 L carriage length

**Standard Delivery:** complete linear actuator inclusive of track profile, carriage, wiper and lubrication system, pulley assembly with customer specific motor connection on request

**Optional:** proximity and end of stroke switches, end stops, motor coupling, motors, energy cable

**Carriage Options:** Carriage lengths of up to 700 mm are available. For high load systems it may be advisable to add further rollers. By having a combination of guidance and flat faced rollers the permissible actuator loading values may be increased. For long periods of continuous operation it is advisable to use our external lubrication system type E.





Pulley Assembly Tensioner Timing Belt	without	80 x 80 Internal AT 10 / 50	80 x 100 Internal AT 10 / 50	80 x 120 Internal AT 10 / 50	120 x 120 / 75 Internal AT 10 / 75
W/L 320/320	SL5550N	SL5554N	SL5558N	SL5566N	SL5574N
Fz	3700N	3700N	3700N	3700N	3700N
Fy	7900N	7900N	7900N	7900N	7900N
Mz	870Nm	870Nm	870Nm	870Nm	870Nm
My	405Nm	405Nm	405Nm	405Nm	405Nm
Mx	280Nm	280Nm	280Nm	280Nm	280Nm
Special Length (mm)	SL5552N	SL5556N	SL5560N	SL5568N	SL5576N
Fz	3700N	3700N	3700N	3700N	3700N
Fy	7900N	7900N	7900N	7900N	7900N
Mz	up to length	up to length	up to length	up to length	up to length
My	up to length	up to length	up to length	up to length	up to length
Mx	280Nm	280Nm	280Nm	280Nm	280Nm

**Carriage 25 / 320 / ...**

- maximum speed: 8<sup>m/s</sup>
- use only with wiper and lubrication system
- lubrication intervals according to loading

**Track Profile F 25 120 x 120**

(without guidance rails)

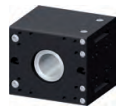
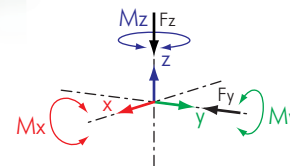
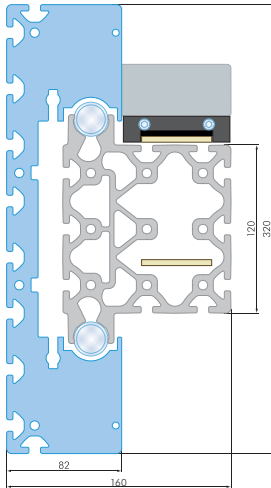
- $I_x = 1,104.23 \text{ cm}^4$
- $I_y = 873.48 \text{ cm}^4$
- $W_x = 130.66 \text{ cm}^3$
- $W_y = 129.12 \text{ cm}^3$
- $G = 15.44 \text{ kg/m}$

W carriage width  
L carriage length

**Standard Delivery:** complete linear actuator inclusive of track profile, carriage, wiper and lubrication system, pulley assembly with customer specific motor connection on request

**Optional:** proximity and end of stroke switches, end stops, motor coupling, motors, energy cable

**Carriage Options:** Carriage lengths of up to 700 mm are available. For high load systems it may be advisable to add further rollers. By having a combination of guidance and flat faced rollers the permissible actuator loading values may be increased. For long periods of continuous operation it is advisable to use our external lubrication system type E.



Pulley Assembly Tensioner Timing Belt	80 x 120 External AT 10 / 50
W / L 320 / 320	SL5570N
Fz	3700N
Fy	7900N
Mz	870Nm
My	405Nm
Mx	280Nm
Special Length (mm)	SL5572N
Fz	3700N
Fy	7900N
Mz	up to length
My	up to length
Mx	280Nm

#### Carriage 25 / 320 / ...

- maximum speed: 8 m/s
- use only with wiper and lubrication system
- lubrication intervals according to loading

#### Track Profile F 25 120 x 120

(without guidance rails)

$$I_x = 1104,23 \text{ cm}^4$$

$$I_y = 873,48 \text{ cm}^4$$

$$W_x = 130,66 \text{ cm}^3$$

$$W_y = 129,12 \text{ cm}^3$$

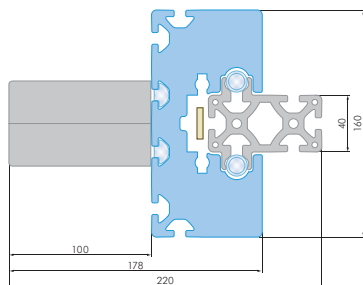
$$G = 15,44 \text{ kg/m}$$

W carriage width  
 L carriage length

**Standard Delivery:** complete linear actuator inclusive of track profile, carriage, wiper and lubrication system, pulley assembly with customer specific motor connection on request

**Optional:** proximity and end of stroke switches, end stops, motor coupling, motors, energy cable

**Carriage Options:** Carriage lengths of up to 700 mm are available. For high load systems it may be advisable to add further rollers. By having a combination of guidance and flat faced rollers the permissible actuator loading values may be increased. For long periods of continuous operation it is advisable to use our external lubrication system type E.



Pulley Assembly	Omega Drive G 22
Timing Belt	AT 10 / 50
W / L 160 / 400	SL5018N
Fz	2000N
Fy	3900N
Mz	655Nm
My	355Nm
Mx	60Nm
Special Length (mm)	SL5019N
Fz	2000N
Fy	3900N
Mz	up to length
My	up to length
Mx	60Nm

W carriage width

L carriage length

#### Carriage 16 / 160 / ...

- maximum speed: 8 m/s
- use only with wiper and lubrication system
- lubrication intervals according to loading

#### Track Profile F 16 40 x 80

(without guidance rails)

$$I_x = 102,09 \text{ cm}^4$$

$$I_y = 37,21 \text{ cm}^4$$

$$W_x = 24,19 \text{ cm}^3$$

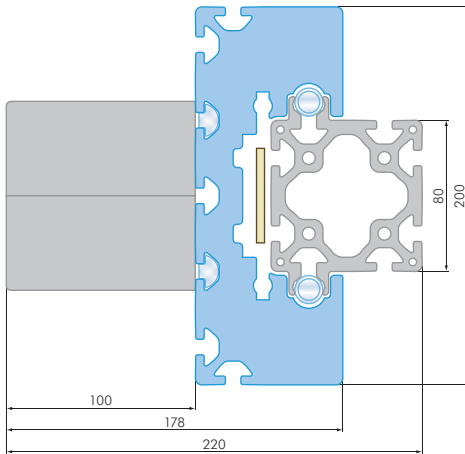
$$W_y = 11,45 \text{ cm}^3$$

$$G = 4,75 \text{ kg/m}$$

**Standard Delivery:** complete linear actuator inclusive of track profile, carriage, wiper and lubrication system, Omega Drive with customer specific motor connection

**Optional:** proximity and end of stroke switches, end stops, motor coupling, motors, energy cable

**Carriage Options:** Carriage lengths of up to 2.3 m are available. For high load systems it may be advisable to add further rollers. By having a combination of guidance and flat faced rollers the permissible actuator loading values may be increased. For long periods of continuous operation it is advisable to use our external lubrication system type E.



Pulley Assembly Timing Belt	Omega Drive G 50 AT 10 / 50
W/L 200/400	SL5229N
Fz	2000N
Fy	3900N
Mz	655Nm
My	355Nm
Mx	100Nm
Special Length (mm)	SL5231N
Fz	2000N
Fy	3900N
Mz	up to length
My	up to length
Mx	100Nm

#### Carriage 16 / 200 / ...

- maximum speed: 8 m/s
- use only with wiper and lubrication system
- lubrication intervals according to loading

#### Track Profile F 16 80 x 80

(without guidance rails)

$$I_x = 215.75 \text{ cm}^4$$

$$I_y = 185.32 \text{ cm}^4$$

$$W_x = 41.10 \text{ cm}^3$$

$$W_y = 44.76 \text{ cm}^3$$

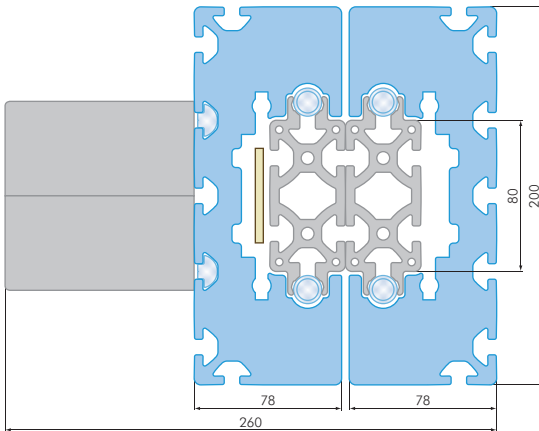
$$G = 7.31 \text{ kg/m}$$

W carriage width  
 L carriage length

**Standard Delivery:** complete linear actuator inclusive of track profile, carriage, wiper and lubrication system, Omega Drive with customer specific motor connection

**Optional:** proximity and end of stroke switches, end stops, motor coupling, motors, energy cable

**Carriage Options:** Carriage lengths of up to 2.3 m are available. For high load systems it may be advisable to add further rollers. By having a combination of guidance and flat faced rollers the permissible actuator loading values may be increased. For long periods of continuous operation it is advisable to use our external lubrication system type E.



Pulley Assembly	Omega Drive G 50
Timing Belt	AT 10 / 50
W / L 200 / 400	SL5290N
Fz	2000N
Fy	3900N
Mz	655Nm
My	355Nm
Mx	100Nm
Special Length (mm)	SL5291N
Fz	2000N
Fy	3900N
Mz	up to length
My	up to length
Mx	100Nm

**Carriage 16 / 200 / ...**

- maximum speed: 8 m/s
- use only with wiper and lubrication system
- lubrication intervals according to loading

**Track Profile (without guidance rails)**
**F 16 40 x 80**

$I_x = 132.43 \text{ cm}^4$	$I_x = 132.43 \text{ cm}^4$
$I_y = 26.60 \text{ cm}^4$	$I_y = 26.60 \text{ cm}^4$
$W_x = 25.22 \text{ cm}^3$	$W_x = 25.22 \text{ cm}^3$
$W_y = 13.30 \text{ cm}^3$	$W_y = 13.30 \text{ cm}^3$
$G = 4.75 \text{ kg/m}$	$G = 4.75 \text{ kg/m}$

**F 16 40 x 80**

$I_x = 132.43 \text{ cm}^4$	$I_x = 132.43 \text{ cm}^4$
$I_y = 26.60 \text{ cm}^4$	$I_y = 26.60 \text{ cm}^4$
$W_x = 25.22 \text{ cm}^3$	$W_x = 25.22 \text{ cm}^3$
$W_y = 13.30 \text{ cm}^3$	$W_y = 13.30 \text{ cm}^3$
$G = 4.75 \text{ kg/m}$	$G = 4.75 \text{ kg/m}$

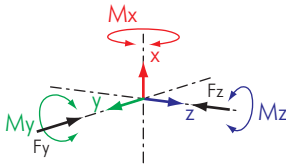
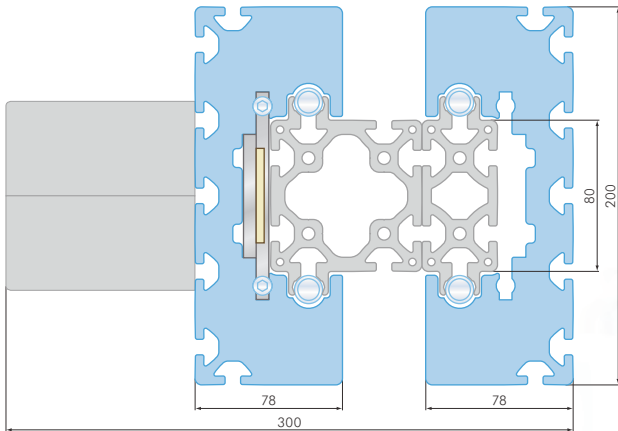
W carriage width

L carriage length

**Standard Delivery:** complete linear actuator inclusive of track profile, two carriages, wiper and lubrication system, Omega Drive with customer specific motor connection

**Optional:** proximity and end of stroke switches, end stops, motor coupling, motors, energy cable

**Carriage Options:** Carriage lengths of up to 2.3 m are available. For high load systems it may be advisable to add further rollers. By having a combination of guidance and flat faced rollers the permissible actuator loading values may be increased. For long periods of continuous operation it is advisable to use our external lubrication system type E.



Pulley Assembly	Omega Drive G 50
Timing Belt	AT 10 / 50
W / L 200 / 400	SL5227N
Fz	2000N
Fy	3900N
Mz	655Nm
My	355Nm
Mx	100Nm
Special Length (mm)	SL5233N
Fz	2000N
Fy	3900N
Mz	up to length
My	up to length
Mx	100Nm

W carriage width  
L carriage length

**Carriage 16 / 200 / ...**

- maximum speed: 8 m/s
- use only with wiper and lubrication system
- lubrication intervals according to loading

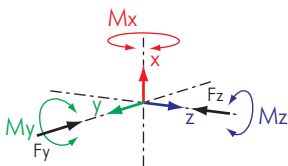
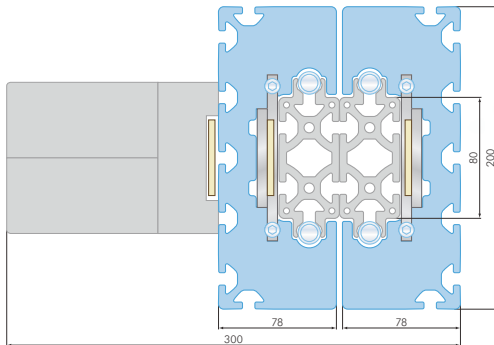
**Track Profile (without guidance rails)**

F 16 40 x 80	F 16 80 x 80
$I_x = 132.43 \text{ cm}^4$	$I_x = 212.89 \text{ cm}^4$
$I_y = 26.60 \text{ cm}^4$	$I_y = 182.47 \text{ cm}^4$
$W_x = 25.22 \text{ cm}^3$	$W_x = 40.55 \text{ cm}^3$
$W_y = 13.30 \text{ cm}^3$	$W_y = 43.97 \text{ cm}^3$
$G = 4.75 \text{ kg/m}$	$G = 7.60 \text{ kg/m}$

**Standard Delivery:** complete linear actuator inclusive of track profile, two carriages, wiper and lubrication system, Omega Drive with customer specific motor connection

**Optional:** proximity and end of stroke switches, end stops, motor coupling, motors, energy cable

**Carriage Options:** Carriage lengths of up to 2.3 m are available. For high load systems it may be advisable to add further rollers. By having a combination of guidance and flat faced rollers the permissible actuator loading values may be increased. For long periods of continuous operation it is advisable to use our external lubrication system type E.



Pulley Assembly	Omega Drive G 50 / 80 x 80
Timing Belt	AT 10 / 50
W / L 200 / 400	SL5400N
Fz	2000N
Fy	3900N
Mz	655Nm
My	355Nm
Mx	100Nm

W carriage width

L carriage length

**Carriage 16 / 200 / ...**

- maximum speed: 8 m/s
- use only with wiper and lubrication system
- lubrication intervals according to loading

**Track Profile** (without guidance rails)

**F 16 40 x 80**

$$I_x = 132.43 \text{ cm}^4$$

$$I_y = 26.60 \text{ cm}^4$$

$$W_x = 25.22 \text{ cm}^3$$

$$W_y = 13.30 \text{ cm}^3$$

$$G = 4.75 \text{ kg/m}$$

**F 16 40 x 80**

$$I_x = 132.43 \text{ cm}^4$$

$$I_y = 26.60 \text{ cm}^4$$

$$W_x = 25.22 \text{ cm}^3$$

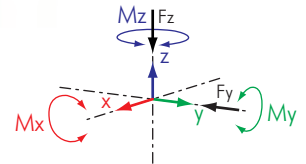
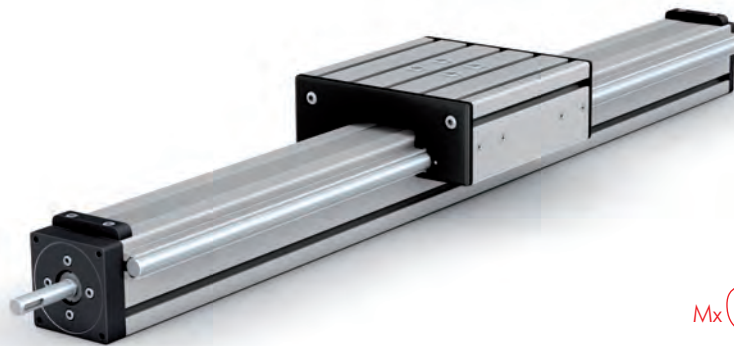
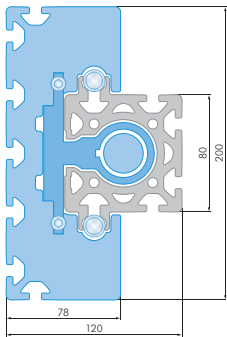
$$W_y = 13.30 \text{ cm}^3$$

$$G = 4.75 \text{ kg/m}$$

**Standard Delivery:** complete linear actuator inclusive of track profile, two carriages, wiper and lubrication system, Omega Drive with customer specific motor connection

**Optional:** proximity and end of stroke switches, end stops, motor coupling, motors, energy cable

**Carriage Options:** Carriage lengths of up to 2.3 m are available. For high load systems it may be advisable to add further rollers. By having a combination of guidance and flat faced rollers the permissible actuator loading values may be increased. For long periods of continuous operation it is advisable to use our external lubrication system type E.



Shaft	Ball Screw Actuator 20 x 5	Ball Screw Actuator 20 x 20	Trapezoidal Screw Actuator
W/L 200/140	SL7000N	SL7002N	SL7003N
Fz	2000N	2000N	2000N
Fy	3900N	3900N	3900N
Mz	155Nm	155Nm	155Nm
My	80Nm	80Nm	80Nm
Mx	100Nm	100Nm	100Nm
W/L 200/200	SL7005N	SL7007N	SL7008N
Fz	2000N	2000N	2000N
Fy	3900N	3900N	3900N
Mz	270Nm	270Nm	270Nm
My	140Nm	140Nm	140Nm
Mx	100Nm	100Nm	100Nm
W/L 200/280	SL7010N	SL7012N	SL7013N
Fz	2000N	2000N	2000N
Fy	3900N	3900N	3900N
Mz	425Nm	425Nm	425Nm
My	220Nm	220Nm	220Nm
Mx	100Nm	100Nm	100Nm
W/L 200/200 sl	SL7015N	SL7017N	SL7018N
Fz	2000N	2000N	2000N
Fy	3900N	3900N	3900N
Mz	210Nm	210Nm	210Nm
My	110Nm	110Nm	110Nm
Mx	80Nm	80Nm	80Nm
Special Length (mm)	SL7020N	SL7022N	SL7023N
Fz	2000N	2000N	2000N
Fy	3900N	3900N	3900N
Mz	up to length	up to length	up to length
My	up to length	up to length	up to length
Mx	100Nm	100Nm	100Nm

**Carriage 16/200/...**

- drive end on customer request maximum permissible  $\varnothing 14$  mm
- use only with wiper and lubrication system
- lubrication intervals according to loading
- critical rotation speed and bending on page F-37

**Track Profile F 16 80 x 80 open**

(without guidance rails)

- $I_x = 240.32 \text{ cm}^4$
- $I_y = 189.65 \text{ cm}^4$
- $W_x = 45.77 \text{ cm}^3$
- $W_y = 46.71 \text{ cm}^3$
- $G = 8.06 \text{ kg/m}$

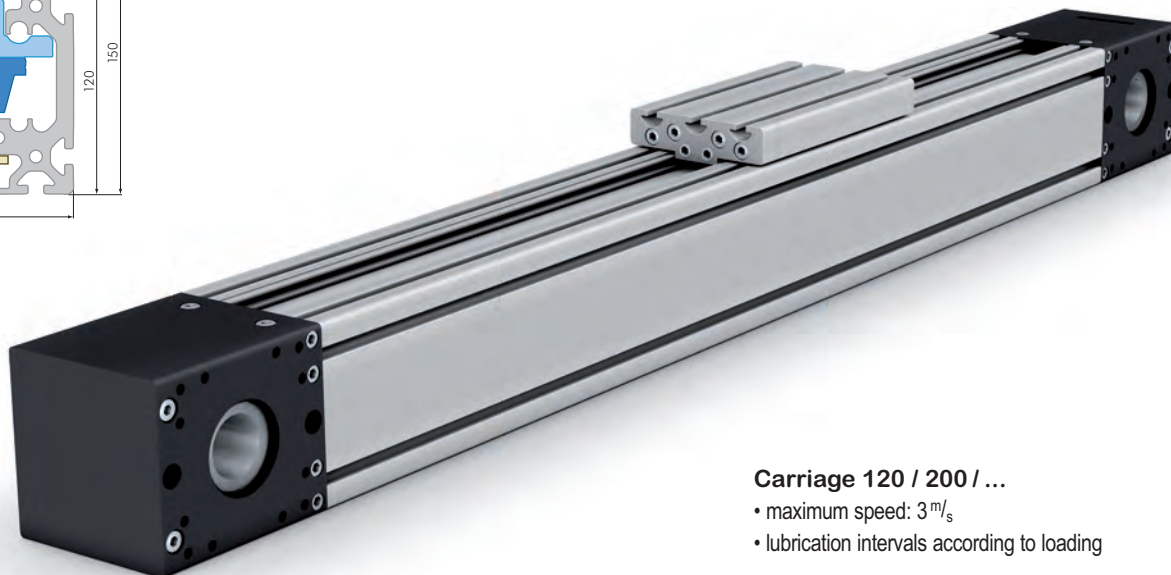
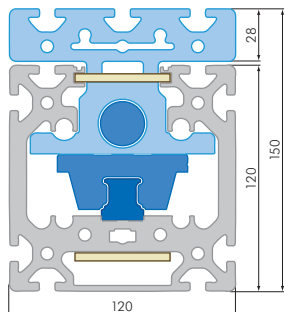
**Standard Delivery:** complete linear actuator inclusive of track profile, carriage and wiper and lubrication system.

**Optional:** proximity and end of stroke switches, end stops, motor coupling, motors, energy cable.

**Carriage Options:** Carriage lengths of up to 2.3 m are available. For high load systems it may be advisable to add further rollers. By having a combination of guidance and flat faced rollers the permissible actuator loading values may be increased. For long periods of continuous operation it is advisable to use our external lubrication system type E. Strengthened bearings on request.

W carriage width  
L carriage length

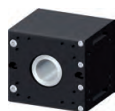
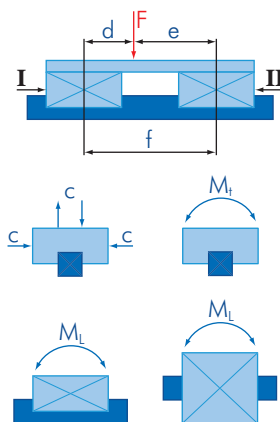



**Carriage 120 / 200 / ...**

- maximum speed: 3 m/s
- lubrication intervals according to loading

Specifications below refer to one carriage of two that are situated below each upper carriage (dark blue element in the illustration on the left).

C	[N]	load rating dyn.	22800 N
C <sub>0</sub>	[N]	load rating stat.	30400 N
M <sub>t</sub>	[Nm]	torque dyn.	320 Nm
M <sub>t0</sub>	[Nm]	torque stat.	430 Nm
M <sub>L</sub>	[Nm]	torque dyn.	180 Nm
M <sub>L0</sub>	[Nm]	torque stat.	240 Nm
S		factor of safety	2
P	[N]	corresponding load	



Pulley Assembly	80 x 120
Timing Belt	AT 10 / 50
W/L 120 / 200	SL4050N
Special Length (mm)	SL4055N
std. Bore Diameter	Ø 40 H 7

W carriage width  
L carriage length

**Standard Delivery:** complete linear actuator inclusive of track profile, carriage and internal steel recirculating ball slide.

**Optional:** proximity and end of stroke switches, end stops, motor coupling, motors, energy cable.

**Carriage Options:** Carriage lengths of up to 2.3 m are available. For high load systems it may be advisable to add further recirculating ball carriages to the steel guidance rail.

**Track Profile 120 x 120**

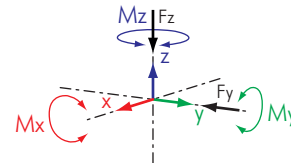
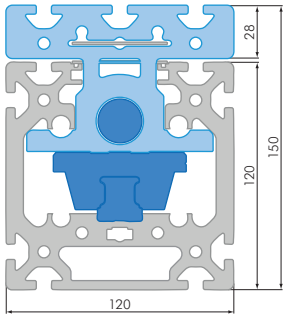
(without recirculating ball slide)

I <sub>x</sub>	=	644.60 cm <sup>4</sup>
I <sub>y</sub>	=	1,002.94 cm <sup>4</sup>
W <sub>x</sub>	=	96.21 cm <sup>3</sup>
W <sub>y</sub>	=	167.16 cm <sup>3</sup>
G	=	14.76 kg/m

**Standard Delivery:** • carriage length 200 mm  
• recirculating ball slide 25 with two internal carriages

**On Request:** custom lengths and number of carriages.

The calculations shown are relative to the internal recirculating ball slide. When designing the overall system please note the permitted loading value for the open profile 120 x 120 and for the carriage design.



Shaft	Ball Screw Actuator 20 x 5	Ball Screw Actuator 20 x 20
W/L 120 / 140	SL4063N	SL4060N
Special Length (mm)	SL4064N	SL4061N

W carriage width  
L carriage length

**Standard Delivery:** complete linear actuator inclusive of track profile, carriage, wiper and lubrication system

**Optional:** proximity and end of stroke switches, end stops, motor coupling, motors, energy cable

**Carriage Options:** Carriage lengths of up to 2.3 m are available. For high load systems it may be advisable to add further recirculating ball carriages to the steel guidance rail.

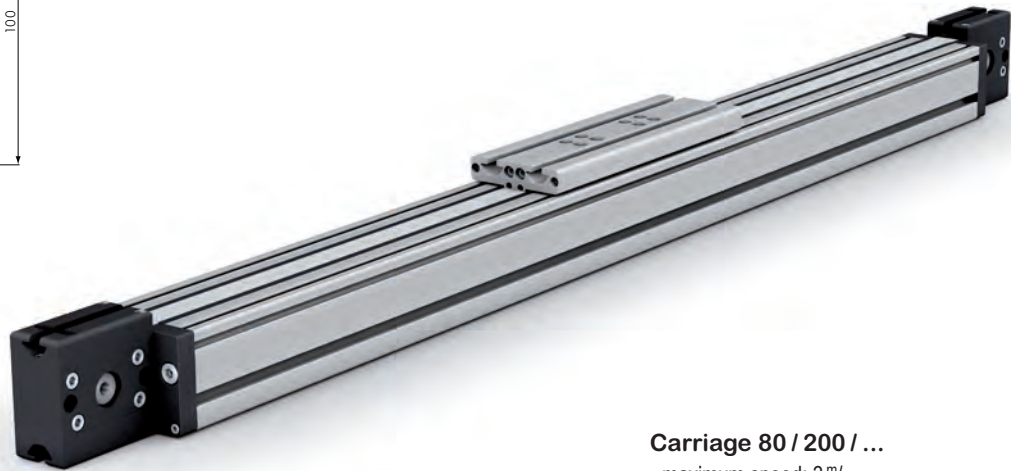
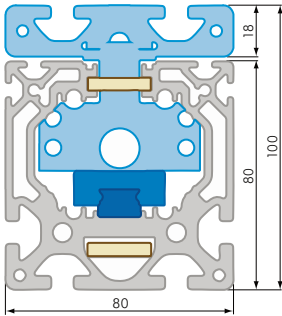
**Carriage 120 / 200 / ...**

- drive end on customer request  
maximum permissible  $\varnothing$  14 mm
- lubrication intervals according to loading
- critical rotation speed and bending  
on page and F-37

**Track Profile F 16 120 x 120**

(without guidance rails)

- $I_x = 644.60 \text{ cm}^4$
- $I_y = 1002.94 \text{ cm}^4$
- $W_x = 96.21 \text{ cm}^3$
- $W_y = 167.16 \text{ cm}^3$
- $G = 16.76 \text{ kg/m}$

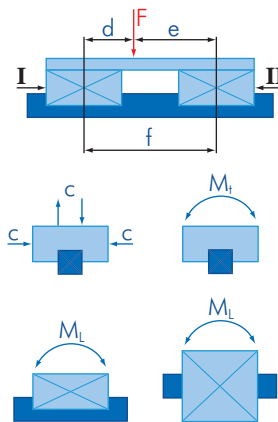

**Carriage 80 / 200 / ...**

- maximum speed: 3 m/s
- lubrication intervals according to loading

Specifications below refer to one carriage of two that are situated below each upper carriage (dark blue element in the illustration on the left).

$$P_I = F \cdot \frac{e}{f} \quad P_{\max} = \frac{C}{S}$$

$$P_{II} = F \cdot \frac{d}{f}$$



C	[N]	load rating dyn.	7800 N
C <sub>0</sub>	[N]	load rating stat.	13500 N
M <sub>I</sub>	[Nm]	torque dyn.	74 Nm
M <sub>I0</sub>	[Nm]	torque stat.	130 Nm
M <sub>L</sub>	[Nm]	torque dyn.	40 Nm
M <sub>L0</sub>	[Nm]	torque stat.	71 Nm
S		factor of safety	2
P	[N]	corresponding load	

**Track Profile 80 x 85**

(without recirculating ball slide)

I <sub>x</sub>	=	68.93 cm <sup>4</sup>
I <sub>y</sub>	=	154.74 cm <sup>4</sup>
W <sub>x</sub>	=	18.83 cm <sup>3</sup>
W <sub>y</sub>	=	38.69 cm <sup>3</sup>
G	=	5.35 kg/m

Pulley Assembly	40 x 40
Timing Belt	AT 10 / 22
W / L 80 / 200	SL4070N
Special Length (mm)	SL4075N
std. Bore Diameter	Ø 14 H 7

W carriage width

L carriage length

**Standard Delivery:** complete linear actuator inclusive of track profile, carriage and internal steel recirculating ball slide

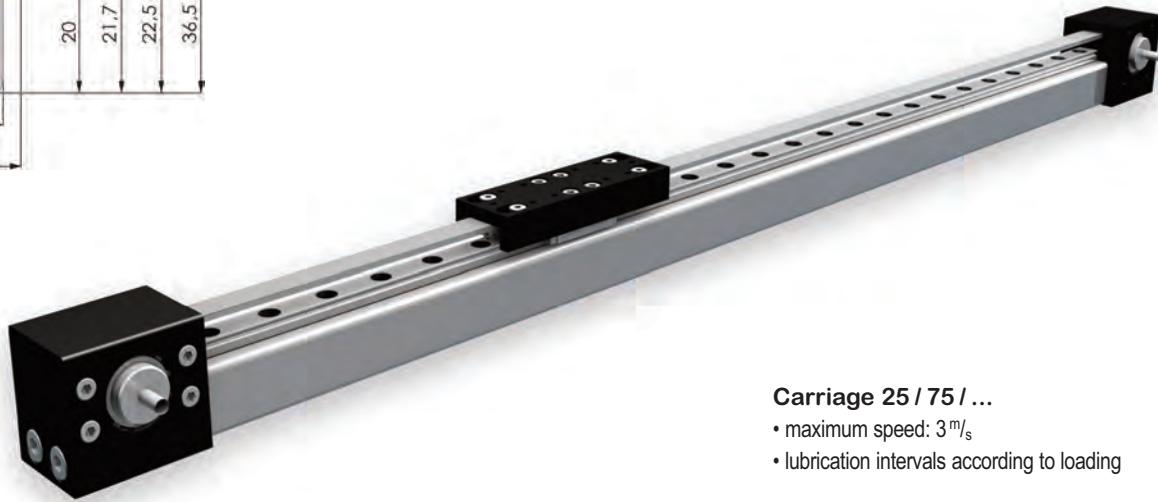
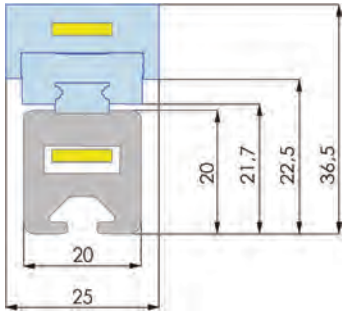
**Optional:** proximity and end of stroke switches, end stops, motor coupling, motors, energy cable

**Carriage Options:** Carriage lengths of up to 2.3 m are available. For high load systems it may be advisable to add further recirculating ball slide carriages to the steel guidance rail.

**Standard Delivery:** • carriage length 200 mm  
• recirculating ball slide 25 with two internal carriages

**On Request:** special lengths with custom number of carriages

The calculations shown are relative to the internal recirculating ball slide. When designing the overall system please note the permitted loading value for the open profile 120 x 120 and for the carriage design.



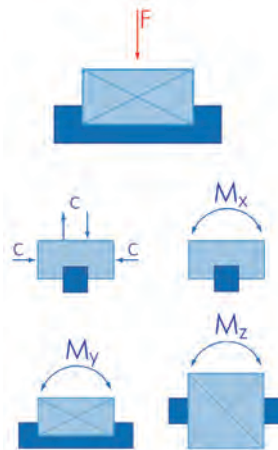
**Carriage 25 / 75 / ...**

- maximum speed: 3 m/s
- lubrication intervals according to loading

Specifications below refer to one carriage of two that are situated below each upper carriage (dark blue element in the illustration on the left).

C<sub>dyn</sub> = 1860 N  
 C<sub>o</sub> = 2550 N

	statisch	dynamisch	
M <sub>x</sub>	11,8	8	Nm
M <sub>y</sub>	7,4	5	Nm
M <sub>z</sub>	7,4	5	Nm



**Track Profile 80 x 85**

(without recirculating ball slide)

I<sub>x</sub> = 0,971 cm<sup>4</sup>  
 I<sub>y</sub> = 1,184 cm<sup>4</sup>  
 W<sub>x</sub> = 0,971 cm<sup>3</sup>  
 W<sub>y</sub> = 1,26 cm<sup>3</sup>  
 M = 0,766 kg/m

Pulley Assembly	20 x 20
Timing Belt	AT 3 / 10
Lw. 25 / 75	SL4500N

W carriage width  
 L carriage length

**Standard Delivery:** complete linear actuator inclusive of track profile, carriage and internal steel recirculating ball slide.

**Optional:** proximity and end of stroke switches, end stops, motor coupling, motors, energy cable.

**Standard Delivery:** • carriage length 75 mm  
 • recirculating ball slide 9 with two internal carriages

**On Request:** special lengths with custom number of carriages.

The calculations shown are relative to the internal recirculating ball slide. When designing the overall system please note the permitted loading value for the open profile 120 x 120 and for the carriage design.

**Timing Belts**

Timing belt guides are used to transmit rotary movement into linear movement. Transmission is via a range of tooth belts AT 3 up to AT 10. Customer specified belts can also be supplied upon ordering.

**Timing Belt Technical Data**

The abrasive resistant polyurethane compound is also resistant against most oils, cutting fluids and wet conditions. It is also UV and ozone resistant with a permissible working temperature range of -30° C (-22° F) to 85° C (185° F). The timing belt has been carefully chosen to meet the demands of most linear actuator working conditions.

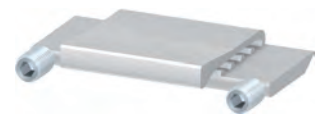
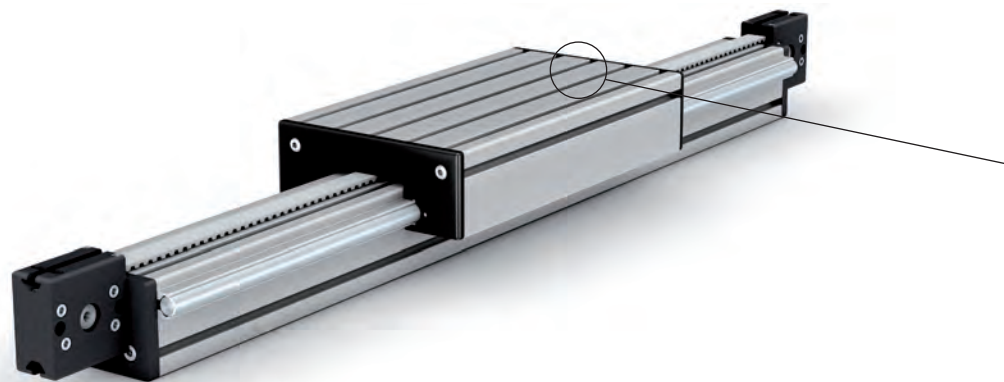
Timing Belt	Tensile Strength	Elongation
AT 3/10	410 N	0.1 % at 102 N
AT 5/16	1,260 N	0.1 % at 315 N
AT 10/22	3,200 N	0.1 % at 800 N
AT 10/50	8,050 N	0.1 % at 2,012 N
AT 10/75	12,220 N	0.1 % at 3,055 N

**Timing Belt Tensioners**

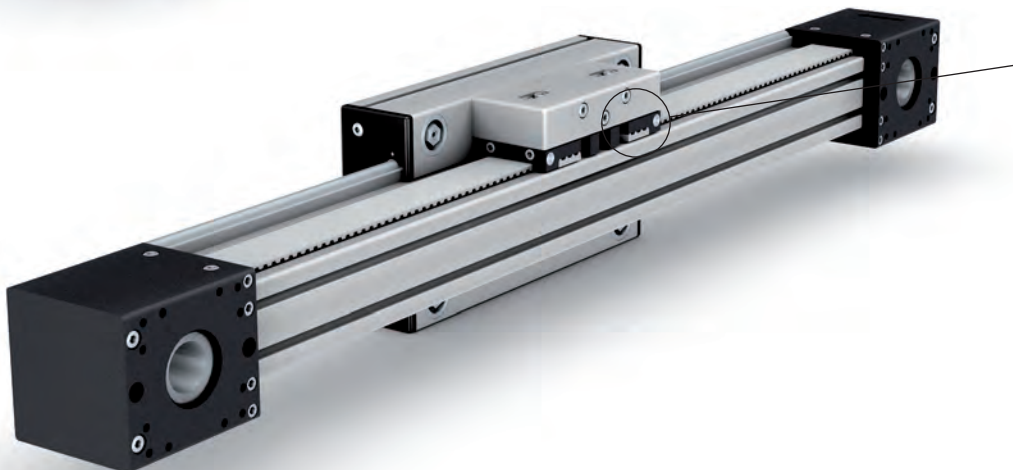
The timing belt is tensioned and held in the carriage by two belt tensioners as shown in the illustrations below. The timing belt is inserted sideways into the tensioners profile and then pushed into the guideway located in the carriage. Two M 12 grub screws push the tensioner into the center of the carriage. By loosening or tightening these grub screws on each of the tensioners, the carriage can be accurately positioned relative to the linear actuator position. In high speed and arduous conditions the M 12 pressure screws can be secured by means of a second M 12 grub screw.

**Fixing Blocks**

If the timing belt is to be connected to the side of the carriage, a fixing block is attached to the carriage between the rollers as shown on the illustration below. The tooth belt is tensioned via two external tooth belt tensioners.



timing belt tensioner (internal)



timing belt tensioner external ZB

**Critical Rotation Speed**

The critical rotation speed is dependent upon screw diameter, length  $L_n$  and how it is fitted. The drive nut axial play must not be taken into consideration. The maximum operating rotation speed is 80% of the critical rotation speed.

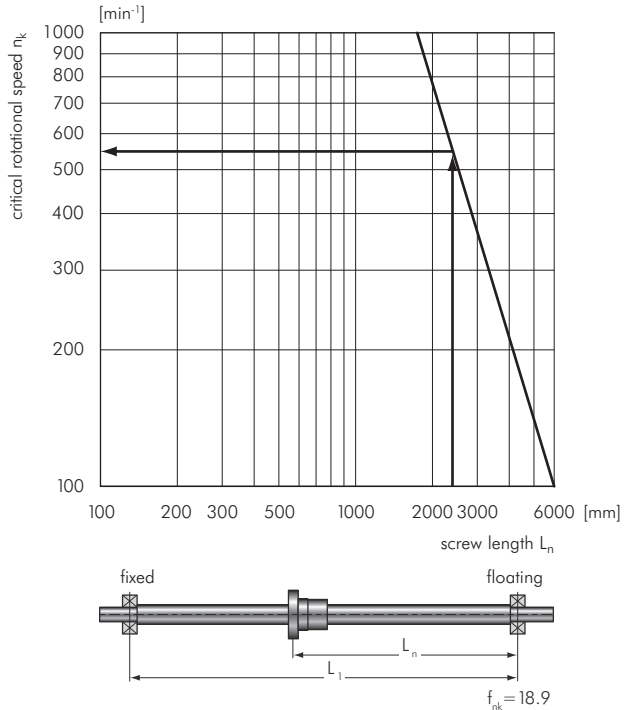
**Calculation Of The Critical Rotation Speed**

**Example:** pitch diameter = 20 mm  
 core diameter = 16.9 mm  
 length = 2400 mm  
 bearing configuration = fixed – supported

$$n_k = f_{nk} \cdot d_2 / L_n^2 \cdot 107 \text{ [min}^{-1}\text{]}$$

$$n_{kzul} = 0,8 \cdot n_k \text{ [min}^{-1}\text{]}$$

- $n_k$  critical rotation speed [min<sup>-1</sup>]
- $n_{kzul}$  permissible rotation speed [min<sup>-1</sup>]
- $f_{nk}$  value determined by bearing fitting
- $d_2$  spindle core diameter [mm]
- $L_n$  critical length [mm] for pretensioned nut systems
- $L_1$  screw length [mm]



In the illustration above the critical rotation speed of 550 min<sup>-1</sup> is achieved. The permissible operation rotation speed equals 550 min<sup>-1</sup> · 80% = 440 min<sup>-1</sup>.

**Permissible Axial Spindle Loading (Bending)**

The axial spindle loading is independent of screw diameter, bearing configuration and unsupported length  $L_k$ . For axial loading, a safety factor of  $\geq 2$  should be taken.

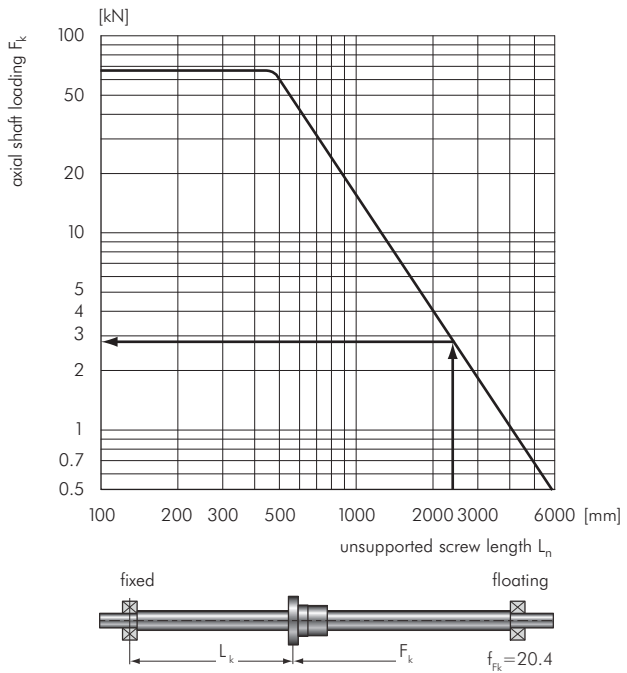
**Calculation Of The Bending**

**Example:** spindle diameter = 20 mm  
 core diameter = 16.9 mm  
 pitch = 5 mm  
 length = 2400 mm  
 bearing configuration = fixed – supported

$$n_k = f_{Fk} \cdot d_2^4 / L_k^2 \cdot 10^4 \text{ [N]}$$

$$n_{kzul} = F_k / 2 \text{ [N]}$$

- $F_k$  theoretically permissible axial loading
- $F_{kzul}$  spindle loading permissible in operation
- $f_{Fk}$  value determined by bearing fitting
- $d_2$  spindle core diameter [mm]
- $L_k$  unsupported screw length [mm]



The illustration shows that the theoretically axial loading is 2.9 kN. With a safety factor of 2, this results in a permissible spindle loading of 2.9 kN / 2 = 1.45 kN.

### Critical Rotation Speed

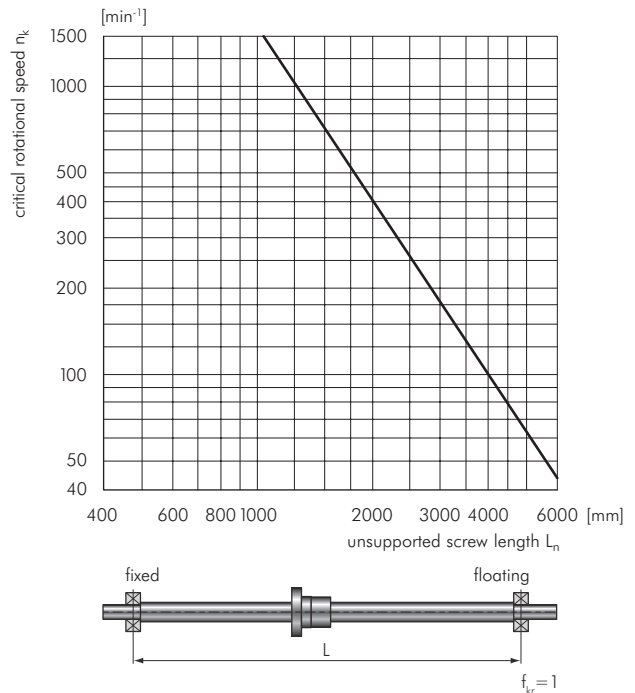
With small diameter, rotational components such as spindles, there is a danger of resonating frequency which vibrates the screw. The following calculation allows for the estimation of this resonating frequency, under the prerequisite of a robust installation. Speed approaching the critical rotational speed can significantly increase the chance of lateral buckling. The critical rotational speed must also be considered in relation with the permissible axial spindle loading.

### Calculation Of The Critical Rotation Speed

$$n_{zul} = 0.8 \cdot n_{kr} \cdot f_{kr}$$

- $n_{zul}$  maximum permissible rotational speed (RPM) [min<sup>-1</sup>]
- $n_{kr}$  theoretical critical rotation speed [min<sup>-1</sup>],  
that leads to resonating frequency
- $f_{kr}$  bearing constant determined by bearing manufacturer

The working rotational speed may not exceed 80% of the maximum permissible rotational speed!



### Permissible Axial Spindle Loading (Bending)

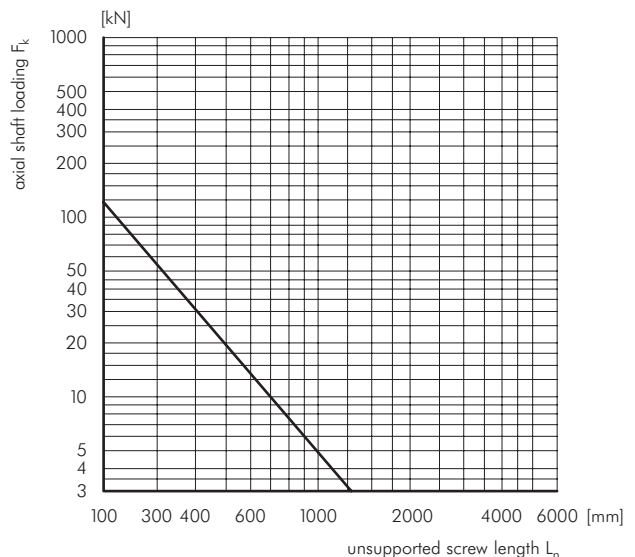
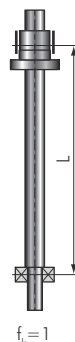
With small diameter rotational components such as spindles, the possible failure due to axial overloading must be taken into account. The following calculation assists with the determination of the permissible axial spindle load.

### Calculation Of The Bending

$$F_{kzul} = 0.8 \cdot F_k \cdot f_k$$

- $F_{zul}$  maximum allowable axial load [kN]
- $F_k$  theoretically permissible axial loading [kN]
- $f_k$  bearing constant determined  
by bearing manufacturer

The working rotational speed may not exceed 80% of the maximum permissible rotational speed!



**Rollers**

The carriage rollers are designed for speeds of up to 8 m/s. The total permissible loading allowed depends on many factors and has to be calculated for each case. A minimum stroke length of 60 mm is required to ensure that the roller is lubricated during operation.

**Carriage Assembly**

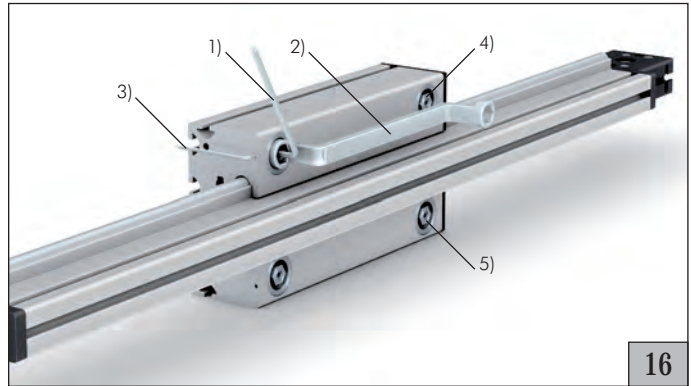
The rollers are assembled in the carriage with the concentric roller axle to the top and the excentric axle to the bottom. Excentric adjustment of  $\pm 0.9$  mm is provided. The roller is pressed firmly into the carriage against a steel disc and locked into position by a  $\varnothing 38$  mm lock nut. The lock nut is also locked into position by a M6 grub screw.

**Wiper And Lubrication System**

The wiper and lubrication system is attached to the front and rear faces of the carriage. The spring tensioned felt pad forms the oil reservoir to lubricate the contact face of the roller and guide rail. Lubrication is via a small hole on the front face of the lubrication system and we recommend our oil reference (SZ6003V). The lubrication intervals will vary according to individual circumstances and can be from two months up to one year. This is recognized by red discoloration of the rails or rollers. The new felt must be infused with oil and re-infused at the recommended lubrication intervals.

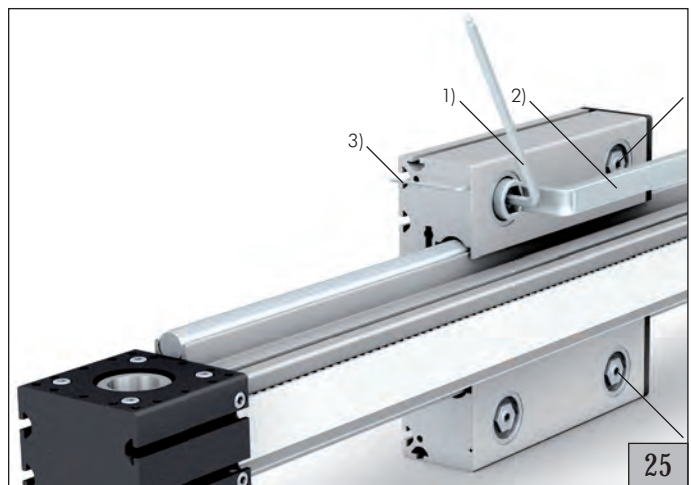
**Service Pockets**

For long carriages that have short stroke lengths lubrication of the guide rails cannot be guaranteed. In this case, service pockets with internal wiper and lubrication system are installed.



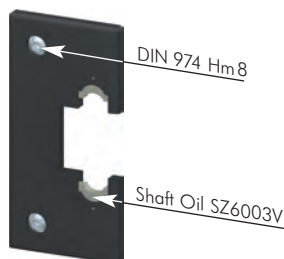
16

- 1) hexagon key A/F 5 to secure excentric adjustment (5).
- 2) ring wrench A/F 17 to attach the lock nut.
- 3) hexagon key A/F 3 to secure the lock nut grub screw.
- 4) concentric roller axle (SL0152S).
- 5) excentric roller axle (SL0153S).

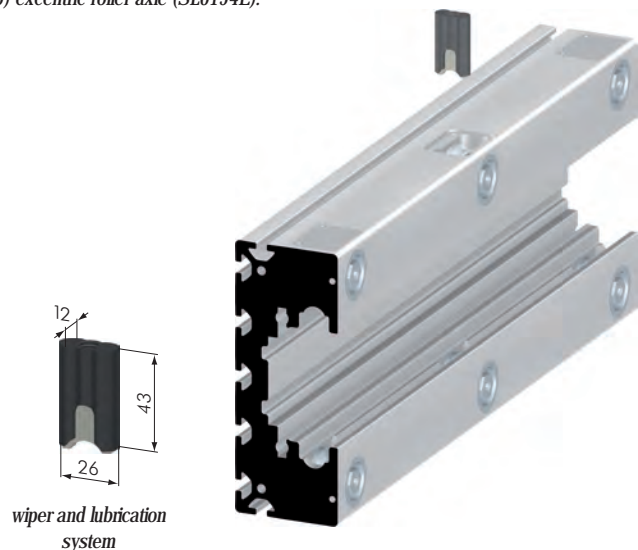


25

- 1) hexagon key A/F 8 to secure excentric adjustment (5).
- 2) ring wrench A/F 24 to attach the lock nut.
- 3) hexagon key A/F 3 to secure the lock nut grub screw.
- 4) concentric roller axle (SL0154Z).
- 5) excentric roller axle (SL0154E).



external wiper and lubrication system



wiper and lubrication system

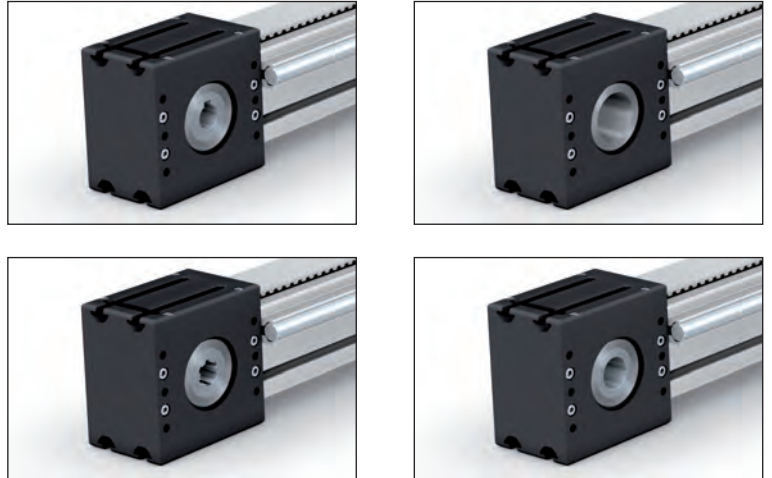


### Motor Coupling

Maximum bore diameter is  $\varnothing 40\text{ H7}$  (standard delivery), complete with steel drive coupling shrunk fit to customer request (included in price).

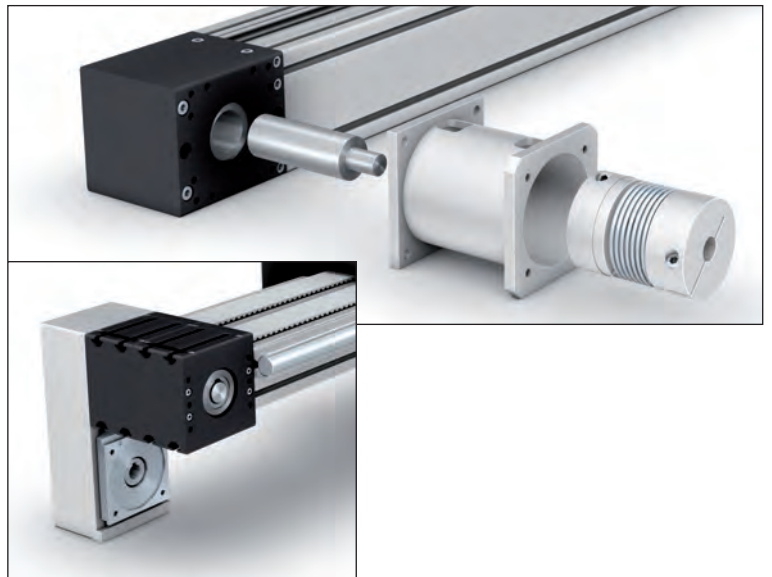
- max. bore diameter for motor with keyway:  $\varnothing 30\text{ H7}$
- max. bore diameter for motor with taper lock coupling:  $\varnothing 34\text{ H7}$

Motor couplings with flange plates at customer request.



### Coupling And Timing Belt Gearbox

The coupling housing makes the mechanical connection between the motor and the pulley assembly. It also acts as a protection to the flexible coupling.



### Omega Drive Operation

Omega Drives are manufactured in five basic variants. Their purpose is to replace the drive unit on the fixed part of the axis. The timing belt is tensioned via external timing belt tensioners at each end of the profile axis. Omega drives are normally used with integral carriages.



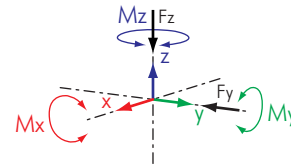
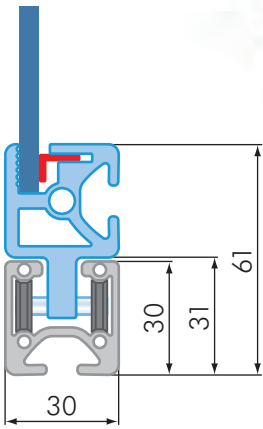
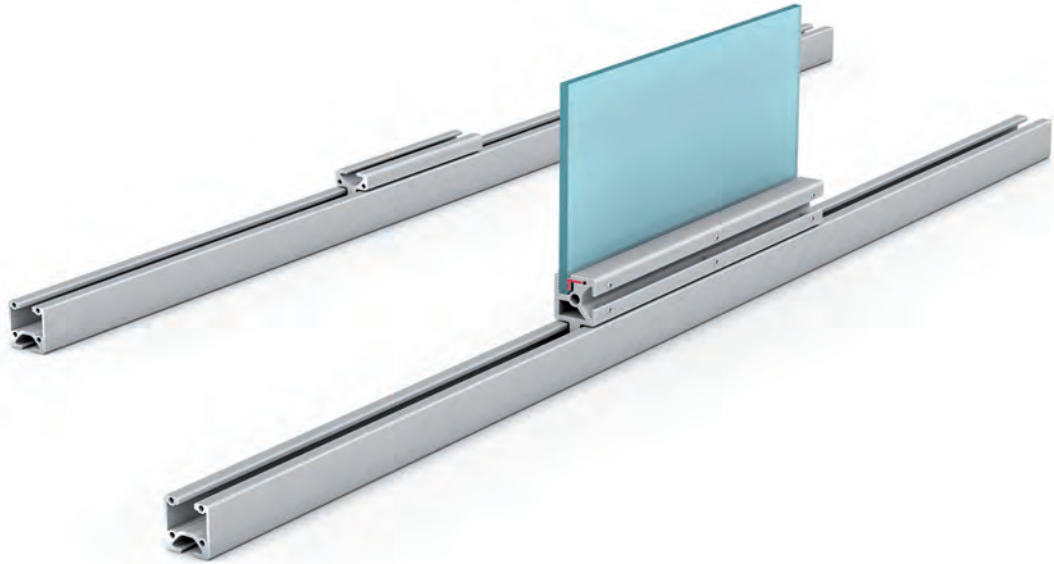
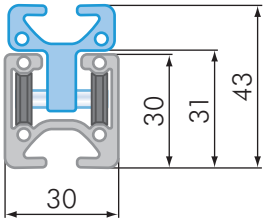
Omega Drive 22



Omega Drive 50



Omega Drive 50 closed



Pulley Assembly	without
L / N 140 / 8	SL4000N
L / N 280 / 8	SL4005N
Special Length (mm)	SL4006N
w/ Clamp Profile	SL4008N

L carriage length  
N number of rollers

**C-Track Double Carriage C 30 / 43**

- maximum speed: 2 m/s
- rollers can only be loaded radially
- $F_{max} = 25 \text{ N}$  per supporting roller

**C-Track Profile C 30 / 43**

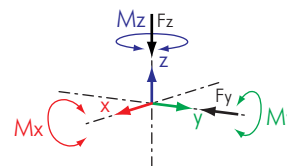
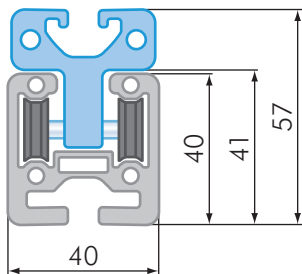
- $I_x = 2.83 \text{ cm}^4$
- $I_y = 3.75 \text{ cm}^4$
- $W_x = 1.66 \text{ cm}^3$
- $W_y = 2.50 \text{ cm}^3$
- $G = 0.82 \text{ kg/m}$

C-tracks with plastic rollers. C-tracks require no lubrication and are a low cost alternative to the linear actuators series 16.

**Standard Delivery:** complete linear actuator inclusive of track profile and carriage

**Optional:** proximity and end of stroke switches, end stops

**Carriage Options:** Carriage lengths of up to 2.3 m are available. For high load systems it may be advisable to add further rollers. By having a combination of guidance and flat faced rollers the permissible actuator loading values may be increased.



Pulley Assembly	without	C 40 / 57
Timing Belt	-	AT 3 / 10
L / N 140 / 8	SL4009N	SL4010N
L / N 280 / 8	SL4014N	SL4015N
Special Length (mm)	SL4016N	SL4017N
std. Bore Diameter	-	Ø 14 H 7

L carriage length  
 N number of rollers

**C-Track Carriage C 40 / 57**

- maximum speed: 2 m/s
- rollers can only be loaded radially
- $F_{max} = 40\text{ N}$  per supporting roller

**C-Track Profile C 40 / 57**

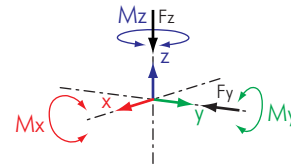
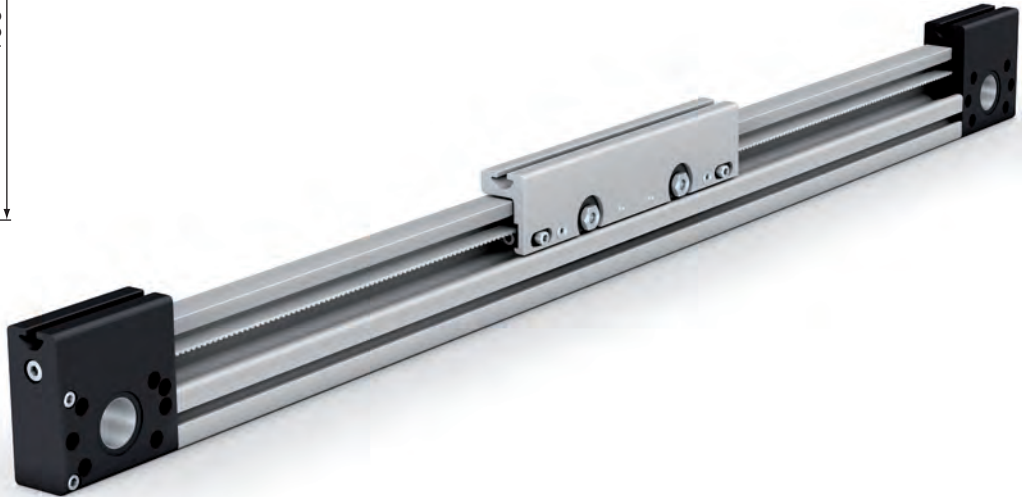
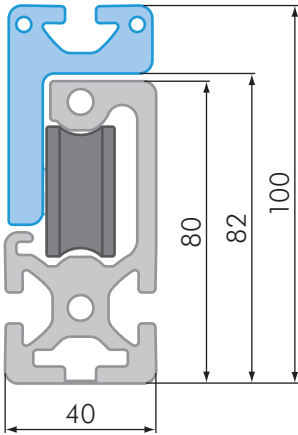
- $I_x = 2.83\text{ cm}^4$
- $I_y = 3.75\text{ cm}^4$
- $W_x = 1.66\text{ cm}^3$
- $W_y = 2.50\text{ cm}^3$
- $G = 0.82\text{ kg/m}$

C-tracks with plastic rollers. C-tracks require no lubrication and are a low cost alternative to the linear actuators series 16.

**Standard Delivery:** complete linear actuator inclusive of track profile and carriage

**Optional:** proximity and end of stroke switches, end stops

**Carriage Options:** Carriage lengths of up to 2.3 m are available. For high load systems it may be advisable to add further rollers. By having a combination of guidance and flat faced rollers the permissible actuator loading values may be increased.



Pulley Assembly	without	C 40 / 100
Timing Belt	–	AT 5 / 16
W/L 140 / 3	SL4019N	SL4020N
W/L 280 / 4	SL4024N	SL4025N
Special Length (mm)	SL4026N	SL4027N
std. Bore Diameter	–	Ø40 H7

W carriage width  
L carriage length

**C-Track Single Carriage C 40 / 100**

- maximum speed: 2 m/s
- rollers can only be loaded radially
- $F_{max} = 100\text{ N}$  per supporting roller

**C-Track Profile C 40 / 100**

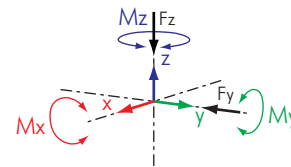
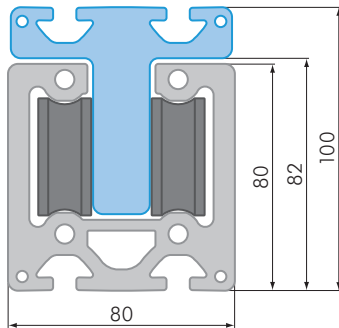
- $I_x = 79.52\text{ cm}^4$
- $I_y = 11.04\text{ cm}^4$
- $W_x = 17.46\text{ cm}^3$
- $W_y = 4.73\text{ cm}^3$
- $G = 3.32\text{ kg/m}$

C-tracks with plastic rollers. C-tracks require no lubrication and are a low cost alternative to the linear actuators series 16.

**Standard Delivery:** complete linear actuator inclusive of track profile and carriage

**Optional:** proximity and end of stroke switches, end stops, motor coupling, motors, energy cable

**Carriage Options:** Carriage lengths of up to 2.3 m are available. For high load systems it may be advisable to add further rollers. By having a combination of guidance and flat faced rollers the permissible actuator loading values may be increased.



Pulley Assembly	without	C 80 / 100
Timing Belt	-	AT 10 / 22
W/L 140 / 6	SL4029N	SL4030N
W/L 280 / 8	SL4034N	SL4035N
Special Length (mm)	SL4036N	SL4037N
std. Bore Diameter	-	Ø40 H 7

W carriage width

L carriage length

#### C-Track Double Carriage C 80 / 100

- maximum speed: 4 m/s
- rollers can only be loaded radially
- $F_{max} = 100$  N per supporting roller

#### C-Track Profile C 80 / 100

$$I_x = 174.65 \text{ cm}^4$$

$$I_y = 213.08 \text{ cm}^4$$

$$W_x = 38.98 \text{ cm}^3$$

$$W_y = 53.27 \text{ cm}^3$$

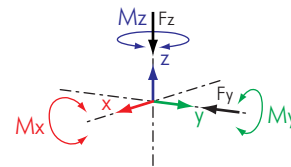
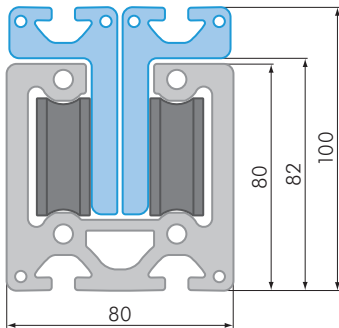
$$G = 6.88 \text{ kg/m}$$

C-tracks with plastic rollers. C-tracks require no lubrication and are a low cost alternative to the linear actuators series 16.

**Standard Delivery:** complete linear actuator inclusive of track profile and carriage, pulley assembly with customer specific motor connection

**Optional:** proximity and end of stroke switches, end stops, motor coupling, motors, energy cable

**Carriage Options:** Carriage lengths of up to 2.3m are available. For high load systems it may be advisable to add further rollers. By having a combination of guidance and flat faced rollers the permissible actuator loading values may be increased.



Pulley Assembly	without
L / N 140 / 3	SL4040N
L / N 280 / 4	SL4045N
Special Length (mm)	SL4046N

L carriage length  
N number of rollers

**C-Track Single Carriage C 80 / 100**

- maximum speed: 4 m/s
- rollers can only be loaded radially
- $F_{max} = 100\text{ N}$  per supporting roller

**C-Track Profile C 80 / 100**

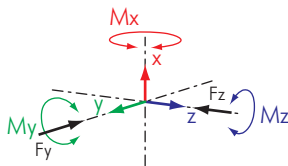
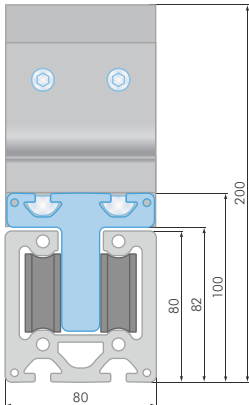
- $I_x = 174.65\text{ cm}^4$
- $I_y = 213.08\text{ cm}^4$
- $W_x = 38.98\text{ cm}^3$
- $W_y = 53.27\text{ cm}^3$
- $G = 6.88\text{ kg/m}$

C-tracks with plastic rollers. C-tracks require no lubrication and are a low cost alternative to the linear actuators series 16.

**Standard Delivery:** complete linear actuator inclusive of track profile and carriage

**Optional:** proximity and end of stroke switches, end stops, energy cable

**Carriage Options:** Carriage lengths of up to 2.3 m are available. For high load systems it may be advisable to add further rollers. By having a combination of guidance and flat faced rollers the permissible actuator loading values may be increased.



**C-Track Double Carriage C 80 / 100**

- maximum speed: 4 m/s
- rollers can only be loaded radially
- $F_{max} = 100$  N per supporting roller

**C-Track Profile C 80 / 100**

- $I_x = 174.65$  cm<sup>4</sup>
- $I_y = 213.08$  cm<sup>4</sup>
- $W_x = 38.98$  cm<sup>3</sup>
- $W_y = 53.27$  cm<sup>3</sup>
- $G = 6.88$  kg/m

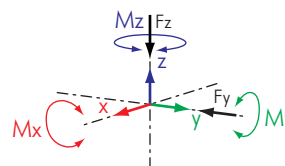
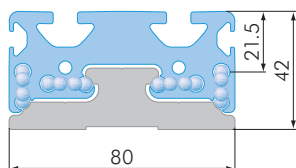
Pulley Assembly	Omega Drive C-Type
Timing Belt	AT 5 / 16
Special Length (mm)	SL4038N
std. Bore Diameter	Ø 40 H 7

C-tracks with plastic rollers. C-tracks require no lubrication and are a low cost alternative to the linear actuators series 16.

**Standard Delivery:** complete linear actuator inclusive of track profile and carriage, pulley assembly with customer specific motor connection

**Optional:** proximity and end of stroke switches, end stops, motor coupling, motors, energy cable

**Carriage Options:** Carriage lengths of up to 2.3 m are available. For high load systems it may be advisable to add further rollers. By having a combination of guidance and flat faced rollers the permissible actuator loading values may be increased.



Pulley Assembly	without
L 80	SL4080N
L 120	SL4082N
L 160	SL4084N
Special Length (mm)	SL4086N

L carriage length

#### Roller Bearing Carriage

- maximum speed: 1 m/s
- $F_y = 20$  N per 10 mm carriage length
- $F_z = 20$  N per 10 mm carriage length

#### Recirculating Ball Slide Guidance Rail

- $I_x = 3.34$  cm<sup>4</sup>
- $I_y = 35.73$  cm<sup>4</sup>
- $W_x = 2.37$  cm<sup>3</sup>
- $W_y = 8.93$  cm<sup>3</sup>
- $G = 2.63$  kg/m

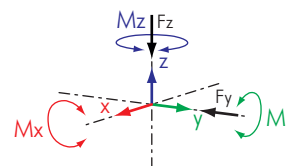
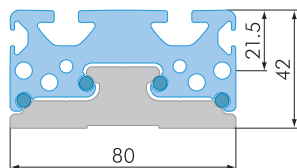
The recirculating ball slide system uses an aluminum guidance rail and a recirculating ball carriage that houses plastic ball bearings. The ball bearings go around and through four guidance bores and are returned back through the carriage by plastic end caps attached to each end of the carriage.

**Standard Delivery:** complete linear actuator inclusive of track profile and carriage

**Optional:** proximity and end of stroke switches, end stops

**Carriage Options:** Carriage lengths of up to 0.30 m are available.





Pulley Assembly	without
L 80	SL4090N
L 120	SL4092N
L 160	SL4094N
Special Length (mm)	SL4096N

L: carriage length

#### Glider Slide Carriage

- maximum speed: 1 m/s
- $F_y = 30\text{ N}$  per 10 mm carriage length
- $F_z = 30\text{ N}$  per 10 mm carriage length

#### Glider Slide Guidance Rail

$$I_x = 3.34\text{ cm}^4$$

$$I_y = 35.73\text{ cm}^4$$

$$W_x = 2.37\text{ cm}^3$$

$$W_y = 8.93\text{ cm}^3$$

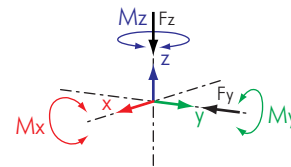
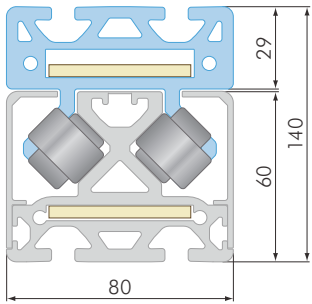
$$G = 2.63\text{ kg/m}$$

The slide guidance system uses an aluminum guidance rail and carriage that has four round, open channels. Each channel holds up to four small plastic rods. These rods are retained by plastic end caps attached to each end of the carriage.

**Standard Delivery:** complete linear actuator inclusive of track profile carriage

**Optional:** proximity and end of stroke switches, end stops

**Carriage Options:** Carriage lengths of up to 0.30 m are available.



Pulley Assembly	80 / 90
Timing Belt	AT 10 / 50
W/L 80/90 160 / 8	SL5310N
W/L 80/90 200 / 10	SL5300N
W/L 80/90 280 / 10	SL5320N
std. Bore Diameter	Ø40 H7

W carriage width

L carriage length

**Carriage 80 / 90**

- maximum speed: 8 m/s
- maintenance free

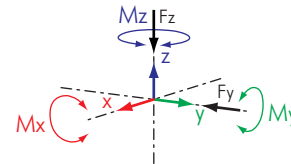
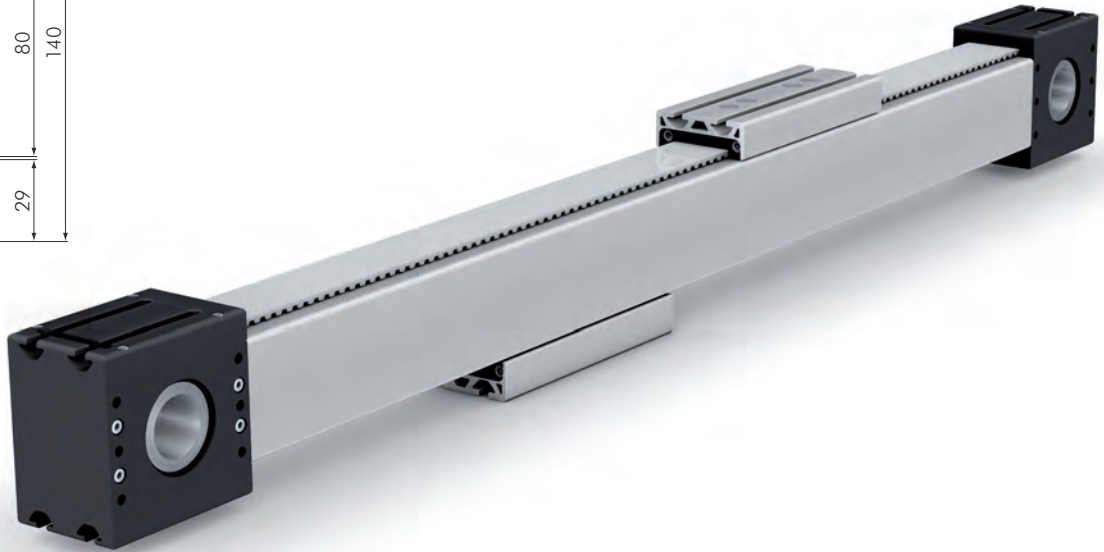
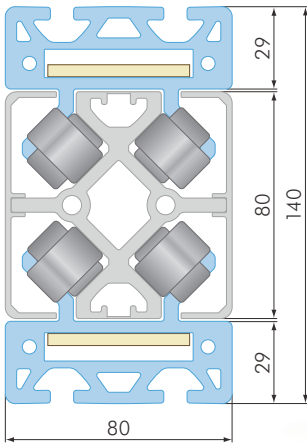
**Track Profile 60 x 80**

- $I_x = 41.64 \text{ cm}^4$
- $I_y = 47.92 \text{ cm}^4$
- $W_x = 10.98 \text{ cm}^3$
- $W_y = 11.98 \text{ cm}^3$
- $G = 3.70 \text{ kg/m}$

**Standard Delivery:** complete linear actuator inclusive of track profile and carriage, pulley assembly with customer specific motor connection on request

**Optional:** proximity and end of stroke switches, end stops, motor coupling, motors, energy cable

**Carriage Options:** The carriages are manufactured in three different lengths. Carriages with special lengths are only available on request.



Pulley Assembly	80 x 80
Timing Belt	AT 10 / 50
W/L 80 / 90 200 / 10	SL5350N
std. Bore Diameter	Ø 40 H 7

W carriage width  
L carriage length

#### Carriage 80 / 90

- maximum speed: 8 m/s
- maintenance free

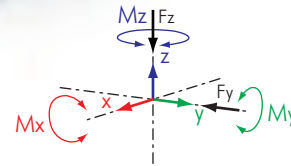
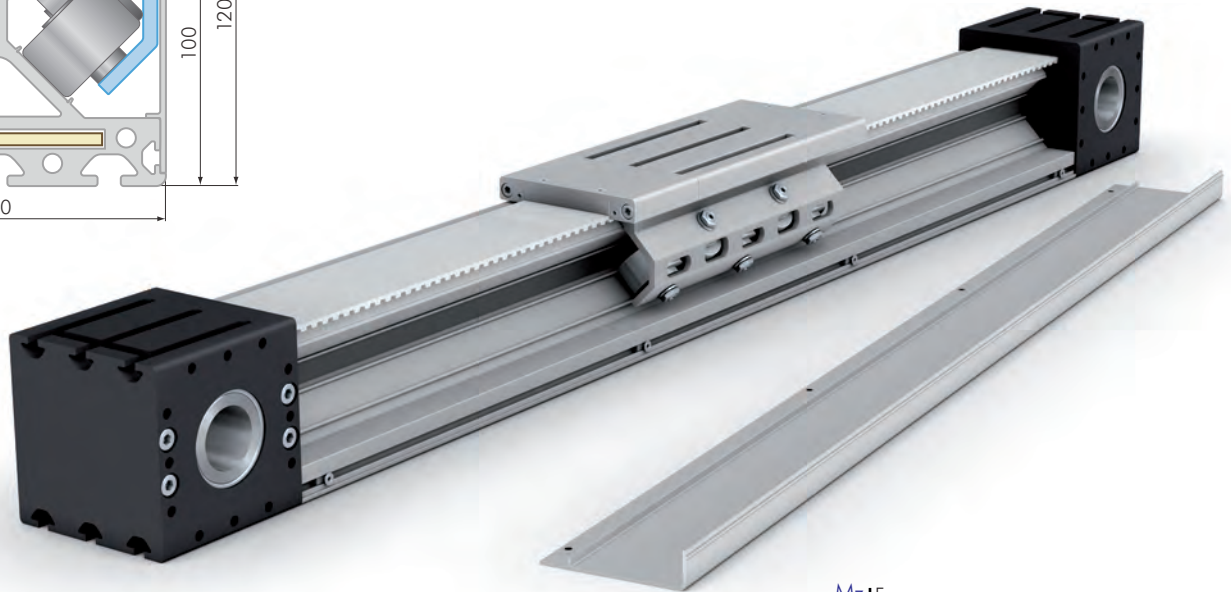
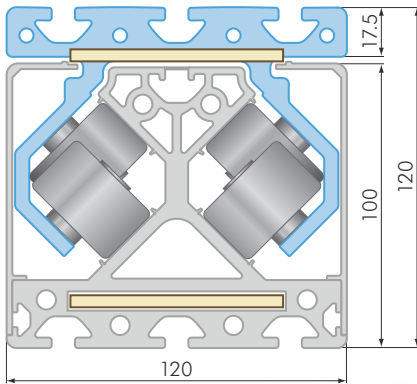
#### Double Guidance Track Profile 80 x 80

$$\begin{aligned}
 I_x &= 68.93 \text{ cm}^4 \\
 I_y &= 154.80 \text{ cm}^4 \\
 W_x &= 18.83 \text{ cm}^3 \\
 W_y &= 38.70 \text{ cm}^3 \\
 G &= 5.35 \text{ kg/m}
 \end{aligned}$$

**Standard Delivery:** complete linear actuator inclusive of track profile and two carriages, pulley assembly with customer specific motor connection on request

**Optional:** proximity and end of stroke switches, end stops, motor coupling, motors, energy cable

**Carriage Options:** Both carriages are manufactured with a length of 200 mm and ten track rollers. Carriages with special lengths are only available on request.



Pulley Assembly	120 x 120 - 75
Timing Belt	AT 10 / 75
W / L 100 / 120 200 / 10	SL5360N
std. Bore Diameter	Ø40 H7

W carriage width  
L carriage length

**Carriage 120**

- maximum speed: 8 m/s
- maintenance free

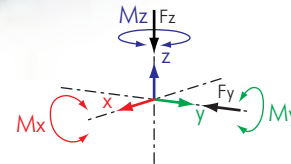
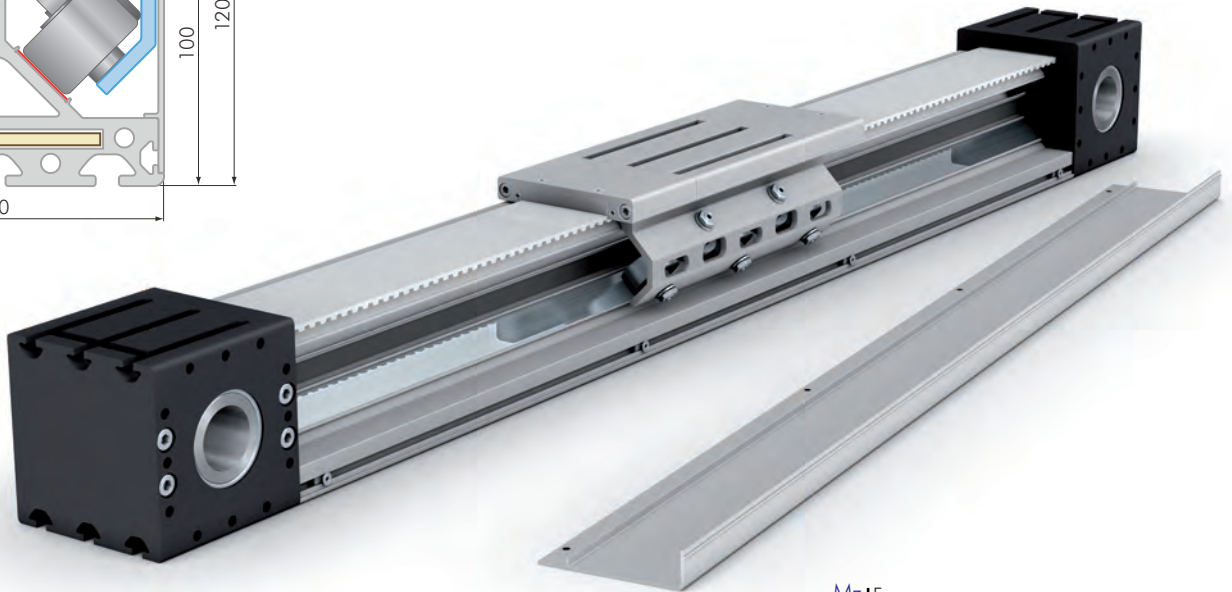
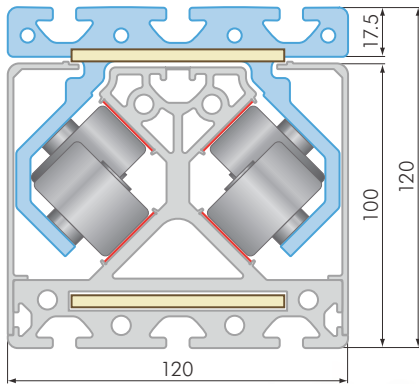
**Track Profile 100 x 120**

- $I_x = 267.57 \text{ cm}^4$
- $I_y = 217.21 \text{ cm}^4$
- $W_x = 41.73 \text{ cm}^3$
- $W_y = 36.20 \text{ cm}^3$
- $G = 7.40 \text{ kg/m}$

**Standard Delivery:** complete linear actuator inclusive of track profile and carriage, pulley assembly with customer specific motor connection on request

**Optional:** proximity and end of stroke switches, end stops, motor coupling, motors, energy cable

**Carriage Options:** The carriage is manufactured with a length of 250 mm and ten plastic track rollers. Carriages with special lengths are only available on request.



Pulley Assembly	120 x 120 - 75
Timing Belt	AT 10 / 75
W / L 100 / 120 200 / 10	SL5370N
std. Bore Diameter	Ø 40 H 7

W carriage width

L carriage length

### Carriage 120

- maximum speed: 8 m/s
- maintenance free

### Track Profile 100 x 120

$$\begin{aligned}
 I_x &= 267.57 \text{ cm}^4 \\
 I_y &= 217.21 \text{ cm}^4 \\
 W_x &= 41.73 \text{ cm}^3 \\
 W_y &= 36.20 \text{ cm}^3 \\
 G &= 7.40 \text{ kg/m}
 \end{aligned}$$

**Standard Delivery:** complete linear actuator inclusive of track profile and carriage, pulley assembly with customer specific motor connection on request

**Optional:** proximity and end of stroke switches, end stops, motor coupling, motors, energy cable

**Carriage Options:** The carriage is manufactured with a length of 250 mm and ten steel track rollers. The track profile is assembled with steel base plates. Carriages with special lengths are only available on request.

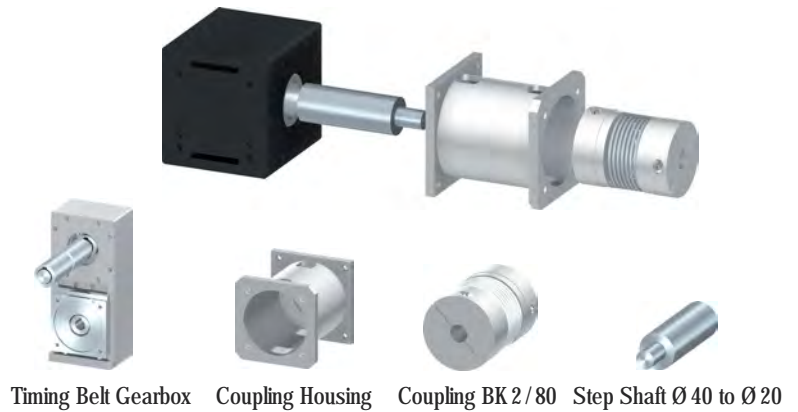




Pulley Assemblies



Omega Drives



Motor Connection Components



Timing Belts



Guidance Rails

Special Fastener 120



Rollers, Roller Axles 16



Timing Belt Tensioners



Rollers, Roller Axles 25



Timing Belt Tensioners, external



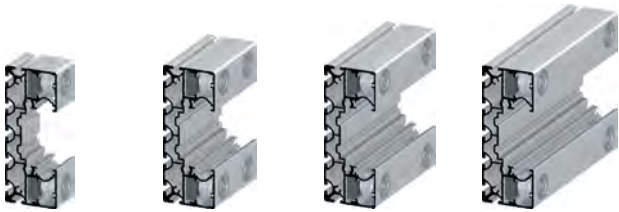
16/160/60/2/S 16/160/140/4/S 16/160/200/4/S

Carriages 16/160 with service pockets



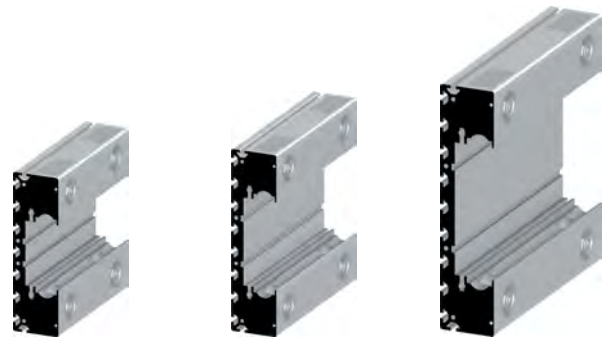
16/200/60/2/S 16/200/140/4/S 16/200/200/4/S 16/200/280/4/S

Carriages 16/200 with service pockets



16/200/60/4 sl 16/200/140/4 sl 16/200/200/4 sl 16/200/280/4 sl

Carriages 16/200 superlight



25/280/280/4/S 25/320/320/4/S 25/360/360/4/S

Carriages 25



160 200 200 E 16 S 280 320 360

Wiper And Lubrication Systems

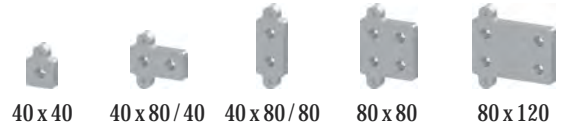






20x13.5 M6    21x24 M6    32x36 M8    52x58 M10    75x89 M12    M6    M8

End Stops

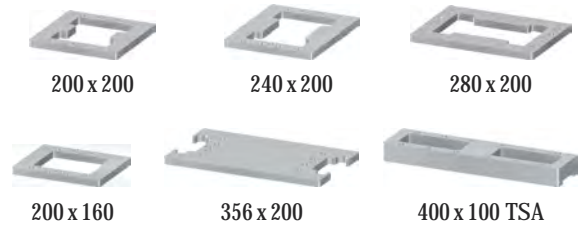


40 x 40    40 x 80 / 40    40 x 80 / 80    80 x 80    80 x 120

Guidance Rail Stop Plates 16



End Of Stroke Set 8



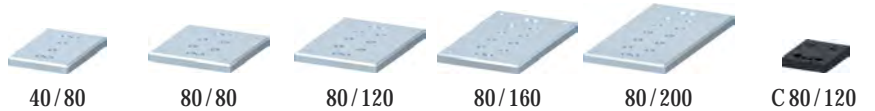
200 x 200    240 x 200    280 x 200

200 x 160    356 x 200    400 x 100 TSA

Carriage Joining Plates



Limit Switch Cam (100, 120)



40 / 80    80 / 80    80 / 120    80 / 160    80 / 200    C 80 / 120

Fastener Attachment Plates



40 x 80    80 x 80    U 80 / 90    80 x 120

Adapter Plates for Pulley Assembly 40 / 40



40 x 80    40 x 80

Clamp Elements



40 x 80    80 x 80

Linear Flange Plates



Ø 10    Ø 12    Ø 20

Guidance Rails



C 40/57



C 40/100



C 80/100

C-Pulley Assemblies



140/8

280/8

Double Carriages C 30/43



140/8

280/8

Double Carriages C 40/57



140/3

280/4

Single Carriages C 40/100



140/3

280/4

Single Carriages C 80/100



140/6

280/8

Double Carriages C 80/100



Omega Drive C-Type AT 5/16



C 30/43

C 40/57

C 40/100

C 80/100 (straight)

C-Rollers



Roller Axles

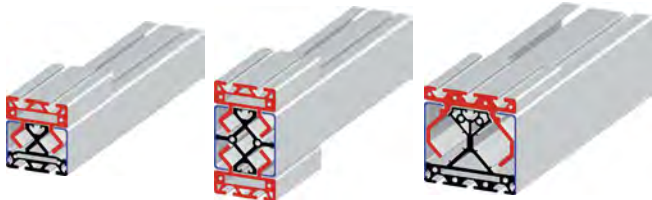


C 40/57

C 40/100

C 80/100

C-Timing Belt Tensioners

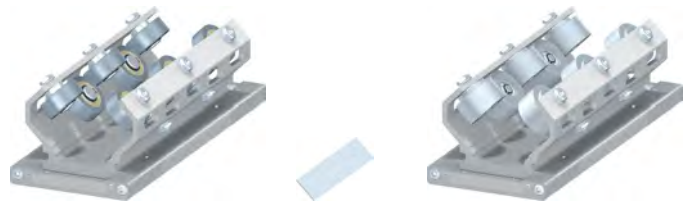


Pulley Assembly 80/90

Carriage 80/90

Timing Belt Tensioner 80/90

Linear Actuator 80/90 Components



Carriage 120, steel rollers

Steel Strap

Carriage 120, plastic rollers



Roller 100/120 steel



Timing Belt Tensioner 120 45°



Roller 100/120

Linear Actuator 120/120 Components



Roller Axle (concentric, excentric)



Roller F 80/90 (VU)



Roller Axle 100/120 steel (concentric, excentric)



Roller Axle 100/120 (concentric, excentric)

Pulley Assembly		
Part No	Description	Weight
SL0700S	Pulley Assembly 40/40	0.95 kg

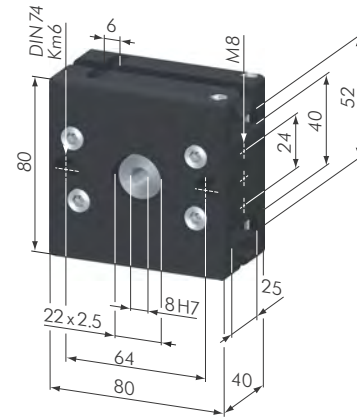


**Application:** This pulley assembly is used in conjunction with *Paletti* linear components to manufacture linear actuators.

**Material:** casing: aluminum, black anodized  
covers: aluminum, black anodized

**Technical Data:**

- timing belt AT 10/22: maximum loading MD = 20 Nm
- timing belt pulley: steel, tooth pitch AT 10  
    Ne of teeth 15
- pitch circle diameter: 47.75 mm
- bearing type: 61805-2RS
- max. bore for motor with keyway: Ø 14 H7
- drive shaft connection: Ø 8 H7, max. Ø 15 H7
- timing belt length 180°: 155.0 mm
- timing belt length 90°: 117.5 mm



SL0700S

Connected to profile via one central fastener 40 G (SV1071V) or one adapter plate. Motor connection via flange plates to customer request.

Pulley Assembly		
Part No	Description	Weight
SL0720S	Pulley Assembly 40/40 heavy duty	

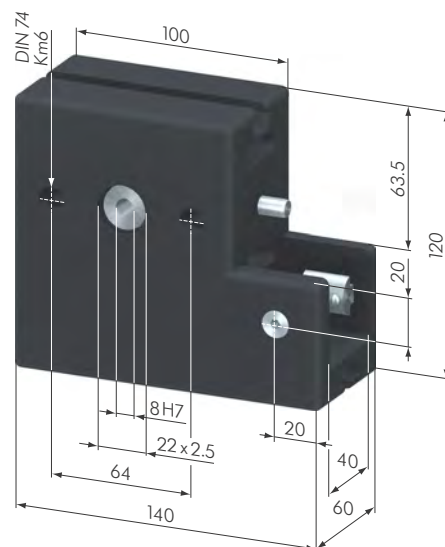


**Application:** This pulley assembly is used in conjunction with *Paletti* linear components to manufacture linear actuators.

**Material:** casing: steel, black  
cover: aluminum, black anodized

**Technical Data:**

- timing belt AT 10/22: maximum loading MD = 20 Nm
- timing belt pulley: steel, tooth pitch AT 10  
    Ne of teeth 15
- pitch circle diameter: 47.75 mm
- bearing type: 61805-2RS
- max. bore for motor with keyway: Ø 14 H7
- drive shaft connection: Ø 8 H7, max. Ø 15 H7
- timing belt length 180°: 175.0 mm



SL0720S

Connected to profile via two t-nuts and doweling. Motor connection via flange plates per customer request.



**Pulley Assembly**

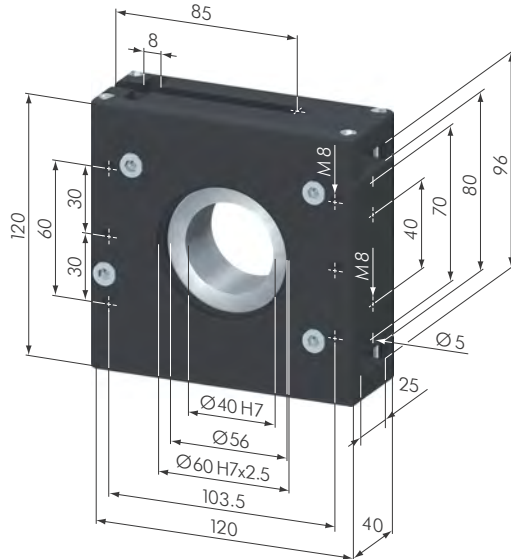
Part N°	Description	Weight
SL0690S	Pulley Assembly 40 / 80	1.94 kg

**Application:** This pulley assembly is used in conjunction with *Paletti* linear components to manufacture linear actuators.

**Material:** casing: steel, black  
cover: aluminum, black anodized

**Technical Data:**

- timing belt AT 10 / 22: maximum loading MD = 70 Nm
- timing belt pulley: aluminum, tooth pitch AT 10  
    No of teeth 28
- pitch circle diameter: 89.13 mm
- max. bore diameter: Ø 40 H7 (standard)
- bearing type: 61811-2RS
- With shrunken fit drive (steel) upon customer request (included in the price).
- max. bore for motor with keyway: Ø 30H7
- max. bore for motor with taper lock coupling: Ø 34H7
- timing belt length 180°: 260.0 mm
- timing belt length 90°: 190.0 mm



SL0690S

Connected to profile via two central fasteners 40 G (SV1071V).  
Motor connection via flange plates per customer request.



**Pulley Assembly**

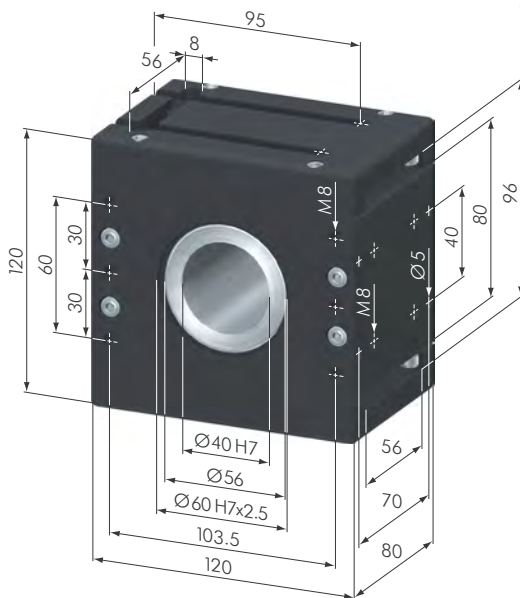
Part N°	Description	Weight
SL0680S	Pulley Assembly 80 / 80	2.27 kg

**Application:** This pulley assembly is used in conjunction with *Paletti* linear components to manufacture linear actuators.

**Material:** casing und cover: aluminum, black anodized

**Technical Data:**

- timing belt AT 10 / 50: maximum loading MD = 100 Nm
- timing belt pulley: aluminum, tooth pitch AT 10  
    No of teeth 28
- pitch circle diameter: 89.13 mm
- max. bore diameter: Ø 40 H7 (Standard)
- bearing type: 61811-2RS
- With shrunken fit drive (steel) upon customer request (included in the price).
- max. bore for motor with keyway: Ø 30H7
- max. bore for motor with taper lock coupling: Ø 34H7
- timing belt length 180°: 260.0 mm
- timing belt length 90°: 190.0 mm



SL0680S

Connected to profile via four central fasteners 40 G (SV1071V).  
Motor connection via flange plates per customer request.

**Pulley Assembly**

Part N°	Description	Weight
SL0682S	Pulley Assembly 80 / 100	2.73 kg

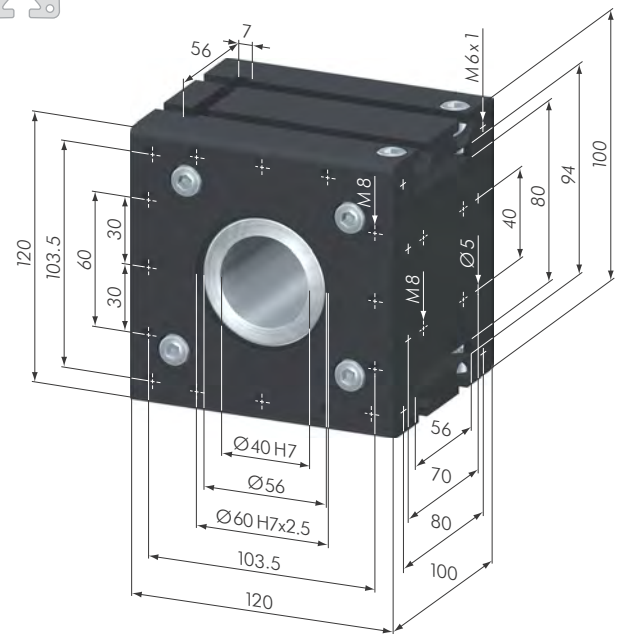
**Application:** This pulley assembly is used in conjunction with *Paletti* linear components to manufacture linear actuators. This guide has larger bearings to absorb greater lateral forces.

**Material:** casing: aluminum, black anodized

**Technical Data:**

- timing belt AT 10 / 50: maximum loading MD = 120 Nm
- timing belt pulley: aluminum, tooth pitch AT 10  
Ne of teeth 28
- pitch circle diameter: 89.13 mm
- max. bore diameter:  $\varnothing 40$  H7 (standard)
- bearing type: 6011-2Z
- With shrunken fit drive (steel) upon customer request (included in the price).
- max. bore for motor with keyway:  $\varnothing 30$ H7
- max. bore for motor with taper lock coupling:  $\varnothing 34$ H7
- timing belt length 180°: 260.0 mm
- timing belt length 90°: 190.0 mm

Connected to profile via four central fasteners 40 G (SV1071V).  
Motor connection via flange plates per customer request.

**40**

**SL0682S**
**Pulley Assembly**

Part N°	Description	Weight
SL0684S	Pulley Assembly 80 / 120	3.35 kg

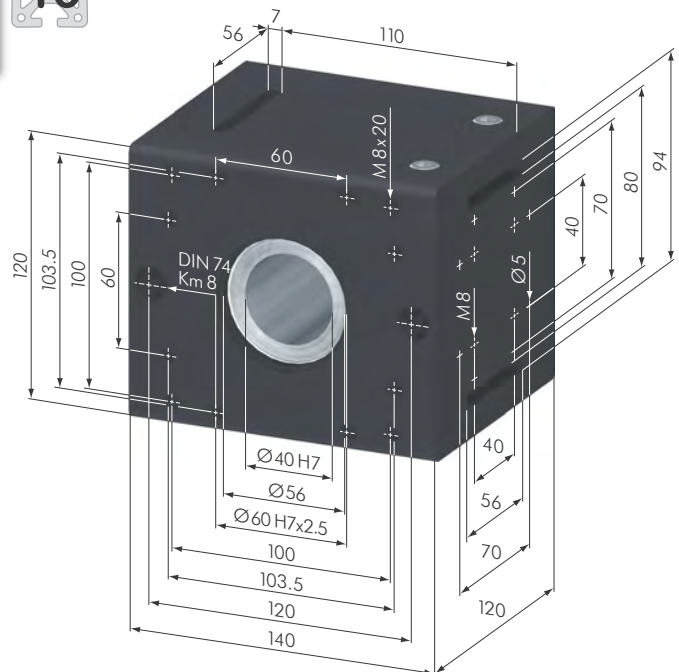
**Application:** This pulley assembly is used in conjunction with *Paletti* linear components to manufacture linear actuators. This guide has larger bearings to absorb greater lateral forces.

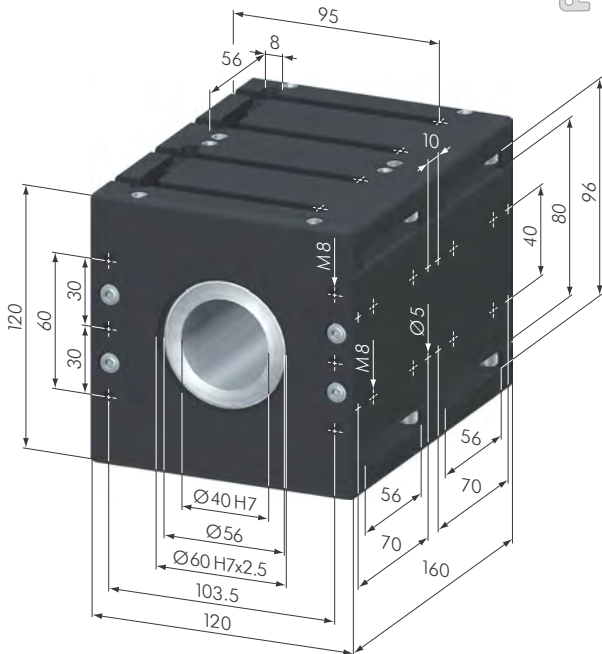
**Material:** casing: aluminum, black anodized

**Technical Data:**

- timing belt AT 10 / 50: maximum loading MD = 140 Nm
- timing belt pulley: aluminum, tooth pitch AT 10  
Ne of teeth 28
- pitch circle diameter: 89.13 mm
- max. bore diameter:  $\varnothing 40$  H7 (Standard)
- bearing type: 62211-2RS
- With shrunken fit drive (steel) upon customer request (included in the price).
- max. bore for motor with keyway:  $\varnothing 30$ H7
- max. bore for motor with taper lock coupling:  $\varnothing 34$ H7
- timing belt length 180°: 280.0 mm
- timing belt length 90°: 200.0 mm

Connected to profile via four central fasteners 40 G (SV1071V).  
Motor connection via flange plates per customer request.

**40**

**SL0684S**



SL0686S

Pulley Assembly		
Part No	Description	Weight
SL0686S	Pulley Assembly 80 / 160	4.54 kg

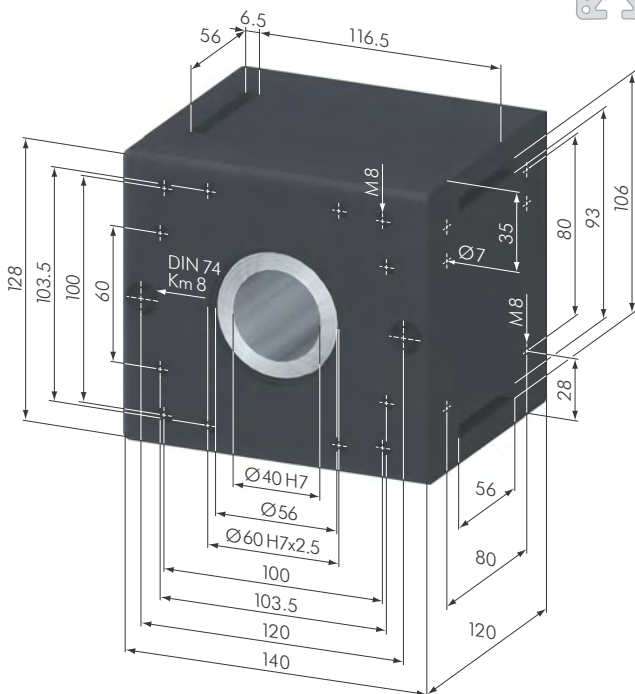
**Application:** This pulley assembly is used in conjunction with *Paletti* linear components to manufacture linear actuators.

**Material:** casing: aluminum, black anodized

**Technical Data:**

- 2x timing belt AT 10 / 50 side by side: maximum loading MD = 200 Nm
- timing belt pulley: aluminum, tooth pitch AT 10  
No of teeth 28
- pitch circle diameter: 89.13 mm
- max. bore diameter: Ø 40 H7 (Standard)
- bearing type: 61811-2RS
- With shrunken fit drive (steel) upon customer request (included in the price).
- max. bore for motor with keyway: Ø 30H7
- max. bore for motor with taper lock coupling: Ø 34H7
- timing belt length 180°: 260.0 mm
- timing belt length 90°: 190.0 mm

Connected to profile via eight central fasteners 40 G (SV1071V).  
Motor connection via flange plates per customer request.



SL0710S

Pulley Assembly		
Part No	Description	Weight
SL0710S	Pulley Assembly 120 / 120 - 50	

**Application:** This pulley assembly is used in conjunction with *Paletti* linear components to manufacture linear actuators.

**Material:** casing: aluminum, black anodized

**Technical Data:**

- timing belt AT 10 / 50: maximum loading MD = 120 Nm
- timing belt pulley: aluminum, tooth pitch AT 10  
No of teeth 32
- pitch circle diameter: 101.86 mm
- max. bore diameter: Ø 40 H7 (Standard)
- bearing type: 62211-2RS
- With shrunken fit drive (steel) upon customer request (included in the price).
- max. bore for motor with keyway: Ø 30H7
- max. bore for motor with taper lock coupling: Ø 34H7
- timing belt length 180°: 300.0 mm
- timing belt length 90°: 214.0 mm

Connected to profile via four central fasteners 40 G (SV1071V).  
Motor connection via flange plates per customer request.

**Pulley Assembly**

Part N°	Description	Weight
SL0688S	Pulley Assembly 120 / 120 - 75	3.82 kg

**Application:** This pulley assembly is used in conjunction with *Paletti* linear components to manufacture linear actuators.

**Material:** casing: aluminum, black anodized

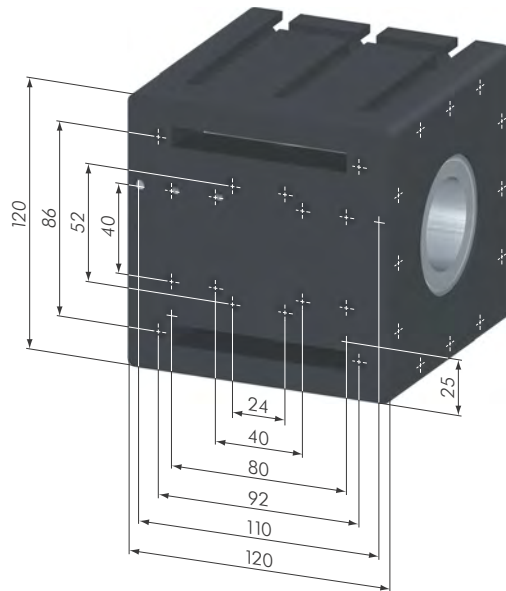
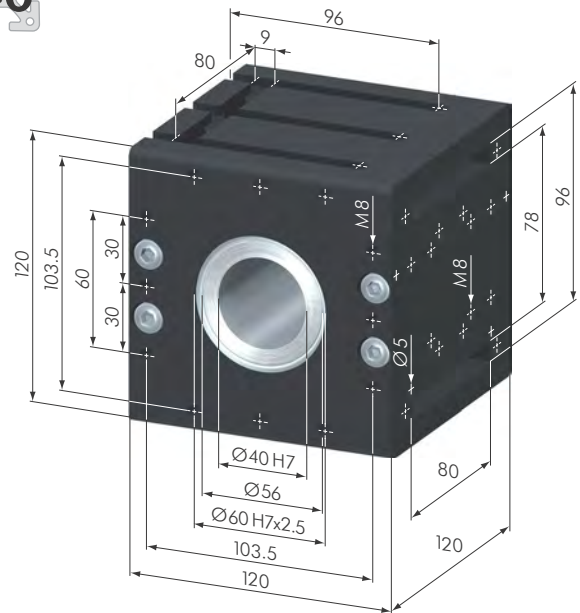
**Technical Data:**

- timing belt AT 10 / 75: maximum loading MD = 120 Nm
- timing belt pulley: aluminum, Ne of teeth AT 10  
Ne of teeth 28
- pitch circle diameter: 89.13 mm
- max. bore diameter:  $\varnothing 40$  H7 (Standard)
- bearing type: 6011-2Z
- With shrunken fit drive (steel) upon customer request (included in the price).
- max. bore for motor with keyway:  $\varnothing 30$  H7
- max. bore for motor with taper lock coupling:  $\varnothing 34$  H7
- timing belt length 180°: 260.0 mm
- timing belt length 90°: 190.0 mm

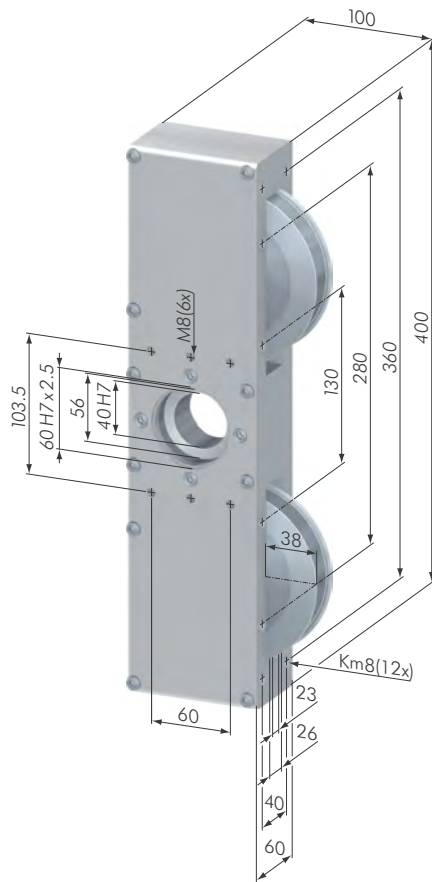
Connected to profile via four central fasteners 40 G (SV1071V).

Motor connection via flange plates per customer request.

**40**



SL0688S



SL0600N



**Omega Drive**

Part No	Description	Weight
SL0600N	Omega Drive AT 10 / 22	5.94 kg

**Application:** This pulley assembly is used in conjunction with Paletti linear guidance components.

**Material:** casing: aluminum, natural anodized

**Technical Data:**

- timing belt AT 10 / 22: maximum loading MD = 70 Nm
- timing belt pulley: aluminum, tooth pitch AT 10  
No of Teeth 28
- pitch circle diameter: 89.13 mm
- max. bore diameter: Ø 40 H7 (Standard)
- With shrunken fit drive (steel) upon customer request (included in the price).
- max. bore for motor with keyway: Ø 30H7
- max. bore for motor with taper lock coupling: Ø 34H7



SL0602N



**Omega Drive**

Part No	Description	Weight
SL0602N	Omega Drive 22, Carriage	15.5 kg

**Application:** This pulley assembly is used in conjunction with Paletti linear guidance components. Mated with carriage 16 / 160 / 400 / 4.

**Material:** casing: aluminum, natural anodized



Omega Drive		
Part N°	Description	Weight
SL0610N	Omega Drive AT 10 / 50	9.5 kg

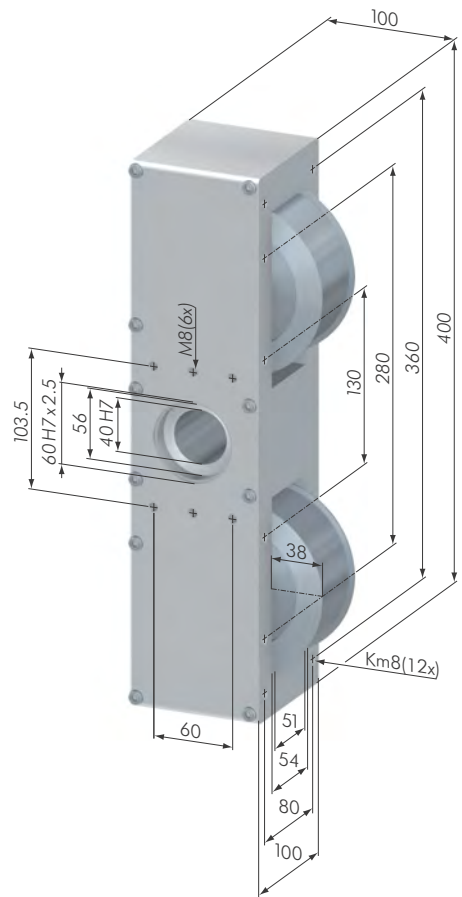


**Application:** This pulley assembly is used in conjunction with *Paletti* linear guidance components.

**Material:** casing: aluminum, natural anodized

**Technical Data:**

- timing belt AT 10 / 50: maximum loading MD = 100 Nm
- timing belt pulley: aluminum, tooth pitch AT 10  
Ne of Teeth 28
- pitch circle diameter: 89.13 mm
- max. bore diameter: Ø 40 H7 (Standard)
- With shrunken fit drive (steel) upon customer request (included in the price).
- max. bore for motor with keyway: Ø 30H7
- max. bore for motor with taper lock coupling: Ø 34H7



SL0610N

Omega Drive		
Part N°	Description	Weight
SL0612N	Omega Drive 50, Carriage	19.0 kg

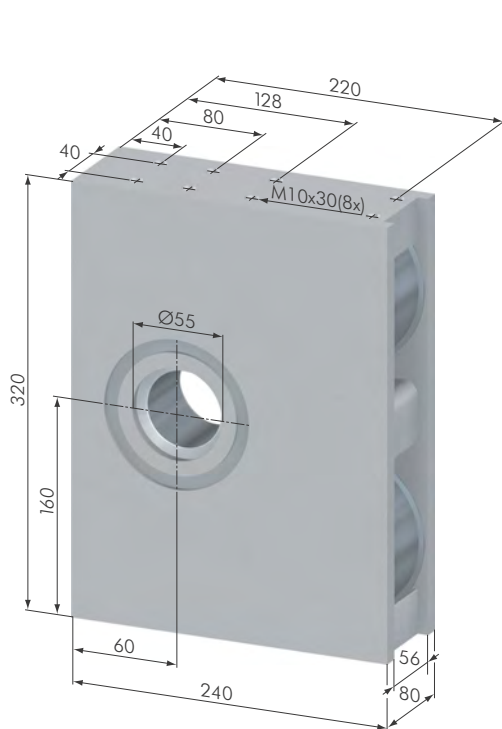


**Application:** This pulley assembly is used in conjunction with *Paletti* linear guidance components.  
Mated with carriage 16 / 200 / 400 / 4.

**Material:** casing: aluminum, natural anodized



SL0612N



SL0630N



**Omega Drive**

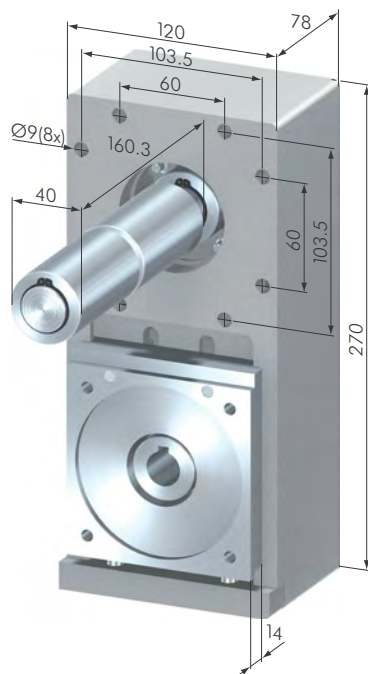
Part No	Description	Weight
SL0630N	Omega Drive 50, closed	9.5 kg

**Application:** Pulley assembly used in conjunction with *Paletti* linear guidance components.

**Material:** casing: aluminum, natural anodized

**Technical Data:**

- timing belt AT 10/50: maximum loading MD = 100 Nm
- timing belt pulley: aluminum, tooth pitch AT 10  
    No of Teeth 28
- pitch circle diameter: 89.13 mm
- max. bore diameter: Ø 40 H7 (Standard)
- With shrunken fit drive (steel) upon customer request (included in the price).
- max. bore for motor with keyway: Ø 30 H7
- max. bore for motor with taper lock coupling: Ø 34 H7



SL5828N



**Timing Belt Gearbox**

Part No	Description	
SL5828N	Timing Belt Gearbox AT 10/50	

**Application:** Attaches to the pulley assembly and allows for the linear actuator to be powered by a belt driven system, as opposed to a direct coupled motor connection.

**Material:** casing: aluminum, natural anodized

**Technical Data:** Ratio = 1 : 1

No of teeth 28 to 28 AT 10/50

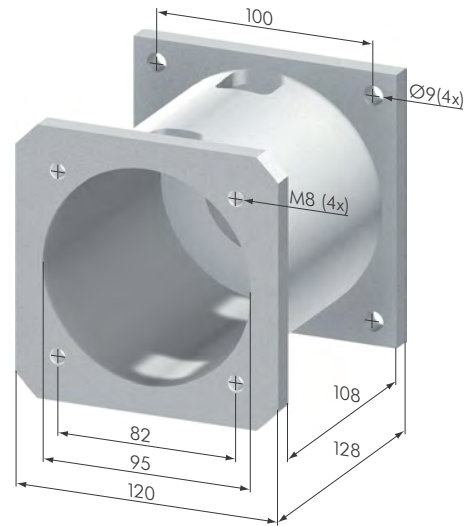
**Coupling Housing**

Part N°	Description	Weight
SL8100N	Coupling Housing	1.09 kg



**Application:** The coupling housing provides the support between motor and linear actuator.

Other types are available on request.



SL8100N

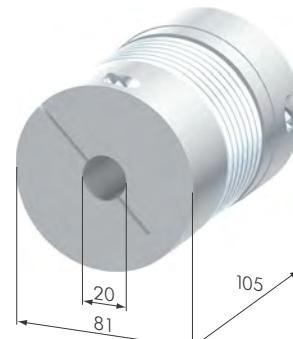
**Coupling BK 2 / 80**

Part N°	Description	Weight
SL8200N	Coupling BK 2 / 80	1.02 kg



**Application:** The coupling provides high torsional stiffness and smooths out misalignment between motor and linear actuator.

Other types are available on request.



SL8200N

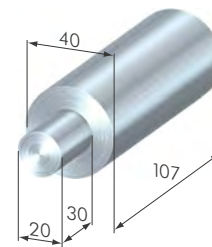
**Step Shaft Ø 40 to Ø 20**

Part N°	Description	Weight
SL8250N	Step Shaft Ø 40 to Ø 20	1.12 kg

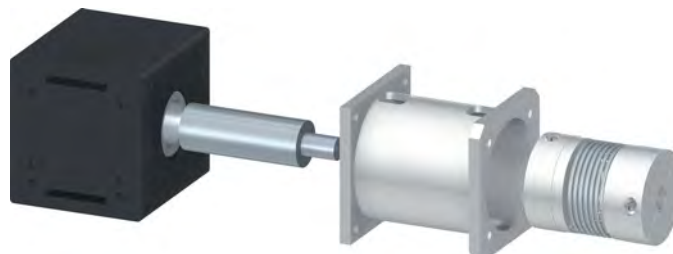


**Application:** The step shaft couples the pulley assembly with a coupling.

Other types are available on request.

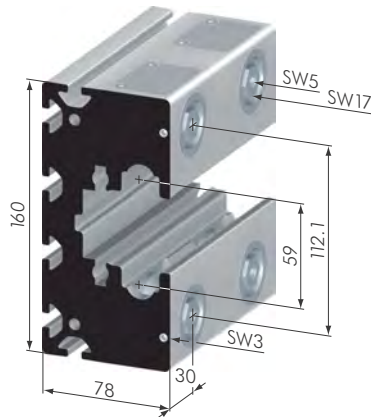


SL8250N





Carriage 16 / 160		
Part No	Description	Weight
SL0071N	Carriage 16 / 160 / 60 / 2 / S	1.38 kg
SL0073N	Carriage 16 / 160 / 140 / 4 / S	3.33 kg
SL0075N	Carriage 16 / 160 / 280 / 4 / S	6.40 kg

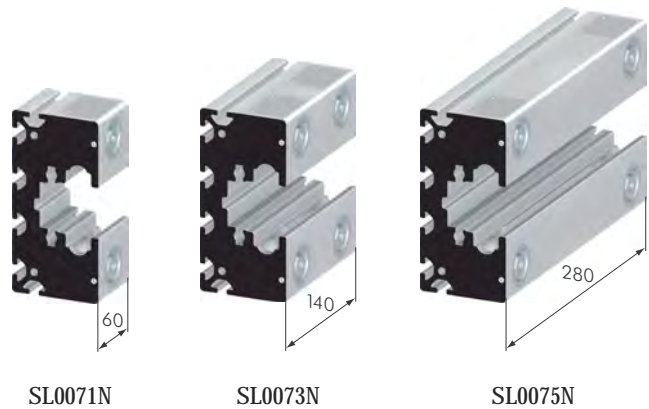
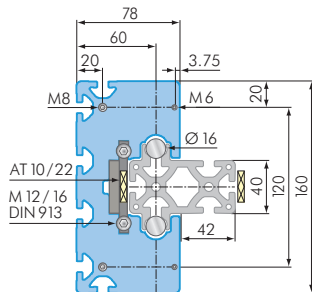


**Application:** For free running, high-load linear guidance systems.  
 On request, the carriage is also available in different lengths and with varying numbers of rollers. Operate only with a wiper and lubrication system. Optional service pockets for easier maintenance.

**Material:** aluminum, natural anodized

**Technical Data:**

- loadings:
  - dyn. 12500 N per roller in radial direction
  - stat. 6900 N per roller in radial direction
  - stat. 1300 N per roller in axial direction
- operational speed: 8 m/s
- excentric adjustment: ± 0.9 mm
- minimum stroke length: 60 mm



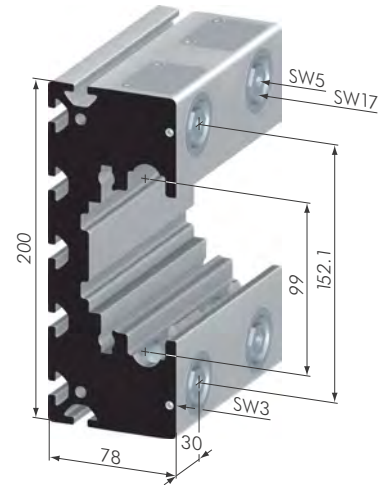
SL0071N

SL0073N

SL0075N

**Carriage 16 / 200**

Part No	Description	Weight
SL0081N	Carriage 16 / 200 / 60 / 2 / S	1.52 kg
SL0083N	Carriage 16 / 200 / 140 / 4 / S	3.64 kg
SL0087N	Carriage 16 / 200 / 200 / 4 / S	5.10 kg
SL0085N	Carriage 16 / 200 / 280 / 4 / S	7.10 kg



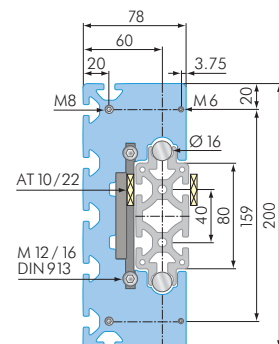
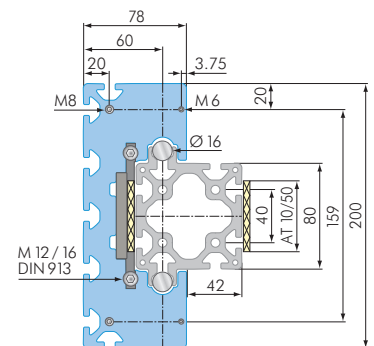
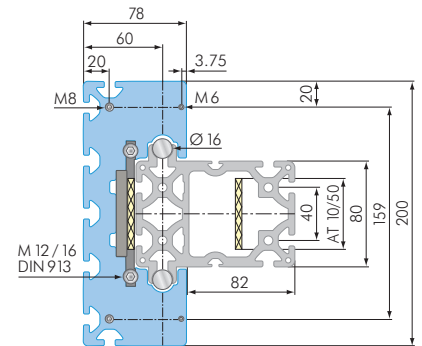
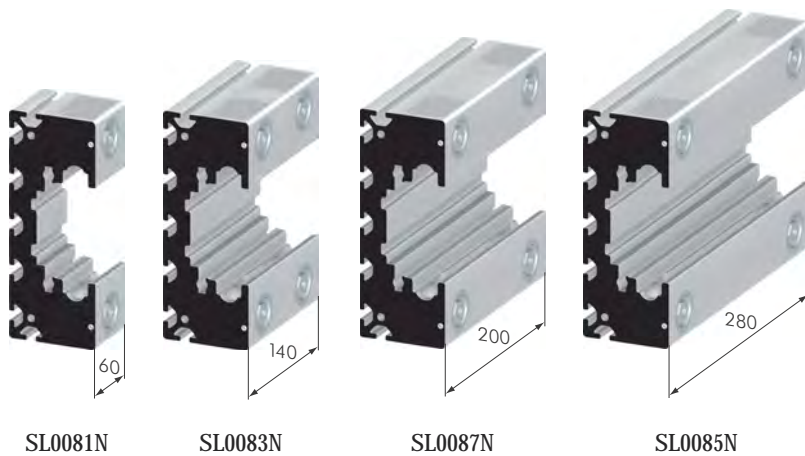
**Application:** For free running, high-load linear guidance systems.  
 On request, the carriage is also available in different lengths and with varying numbers of rollers. Operate only with a wiper and lubrication system. Optional service pockets for easier maintenance.

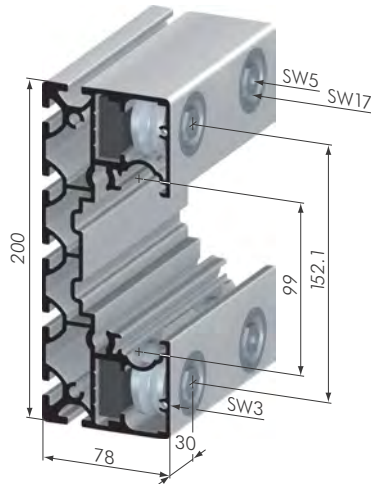
**Material:** aluminum, natural anodized

**Technical Data:**

- loadings: dyn. 12500 N per roller in radial direction  
 stat. 6900 N per roller in radial direction  
 stat. 1300 N per roller in axial direction

- operational speed: 8 m/s
- eccentric adjustment: ± 0.9 mm
- minimum stroke length: 60 mm





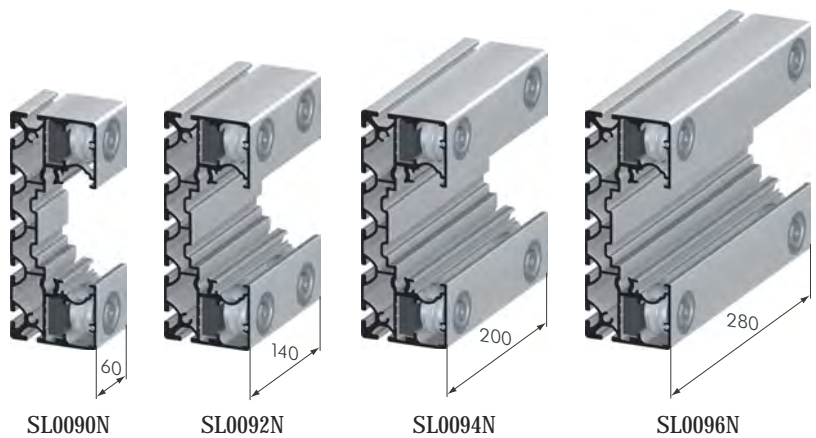
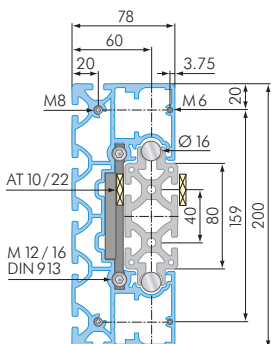
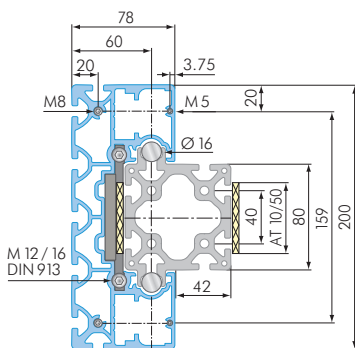
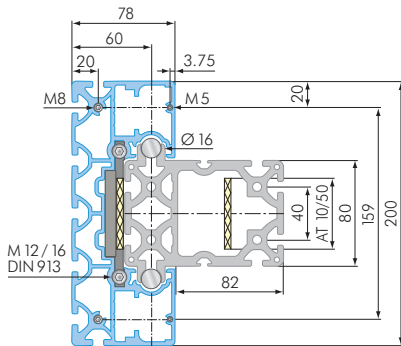
Carriage 16 / 200 sl		
Part No	Description	Weight
SL0090N	Carriage 16 / 200 / 60 / 2 sl	0.51 kg
SL0092N	Carriage 16 / 200 / 140 / 2 sl	1.21 kg
SL0094N	Carriage 16 / 200 / 200 / 4 sl	1.75 kg
SL0096N	Carriage 16 / 200 / 280 / 4 sl	2.49 kg

**Application:** For free running, high-load linear guidance systems. On request, the carriage is also available in different lengths and with varying numbers of rollers. Operate only with a wiper and lubrication system.

**Material:** aluminum, natural anodized

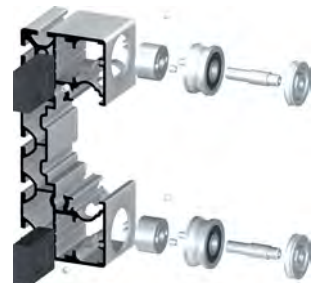
**Technical Data:**

- loadings: dyn. 12500 N per roller in radial direction  
stat. 6900 N per roller in radial direction  
stat. 1300 N per roller in axial direction
- operational speed: 8 m/s
- excentric adjustment: ± 0.9 mm
- minimum stroke length: 60 mm



**Special Features of Carriage 16/200 superlight:**

The rollers are fixed into position by a steel plate and reducer bushing, as shown in the illustration to the right. The bushing is held in position by two grub screws and the roller is then assembled with the bearing axle.



**Carriage 25**

Part No	Description	Weight
SL0050N	Carriage 25 / 280 / 280 / 2 / S	19.0 kg
SL0051N	Carriage 25 / 320 / 320 / 2 / S	21.0 kg
SL0053N	Carriage 25 / 360 / 360 / 4 / S	23.0 kg

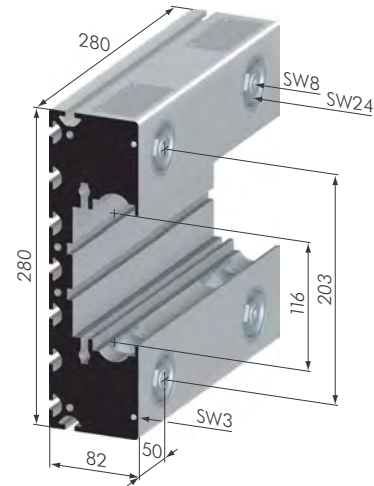


**Application:** For free running, high-load linear guidance systems.  
 On request, the carriage is also available in different lengths and with varying numbers of rollers.  
 Operate only with a wiper and lubrication system.

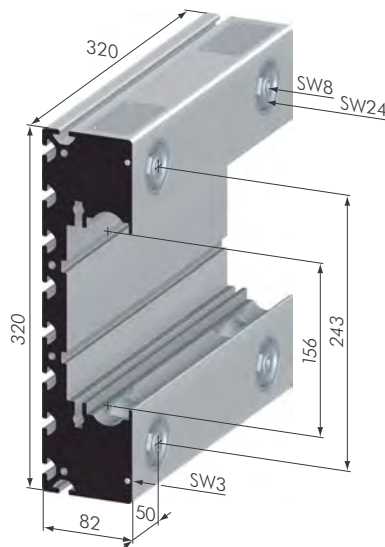
**Material:** aluminum, natural anodized

**Technical Data:**

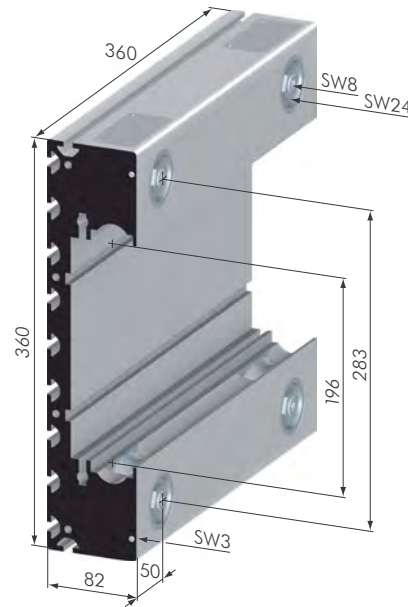
- loadings: dyn. 29200 N per roller in radial direction  
 stat. 16400 N per roller in radial direction  
 stat. 12250 N per roller in axial direction
- operational speed: 8 m/s
- eccentric adjustment: ± 0.9 mm
- minimum stroke length: 280 mm



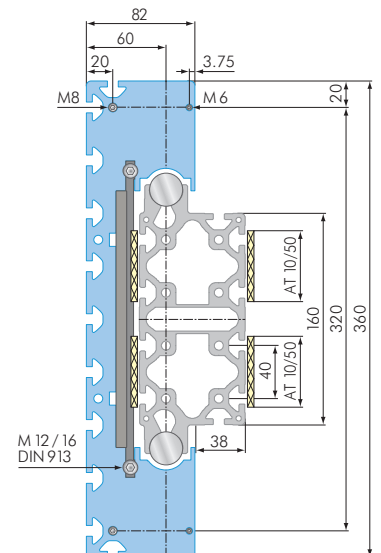
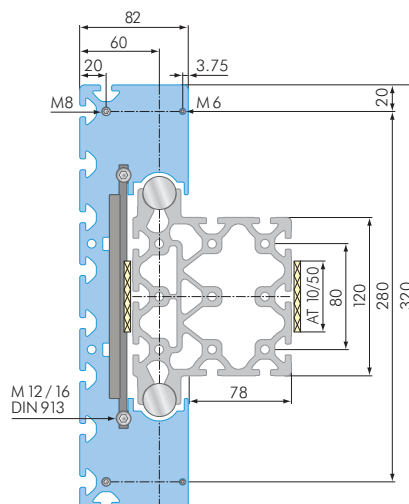
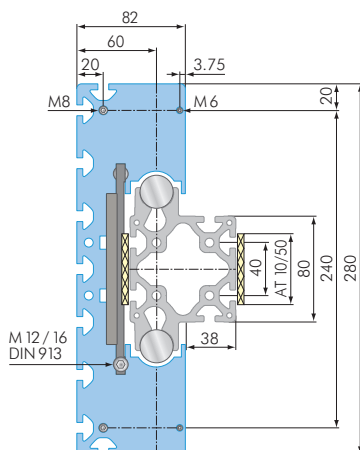
SL0050N



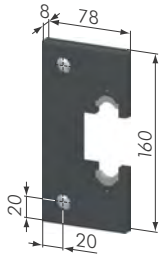
SL0051N



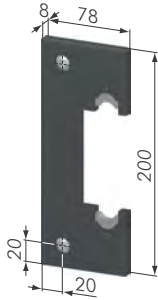
SL0053N



40



SL0162S



SL0164S



SL0165S

for external lubrication

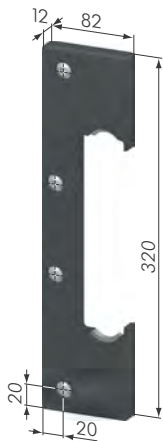
Wiper And Lubrication Systems		
Part No	Description	Weight
SL0162S	Wiper and lubrication system 160	111 g
SL0164S	Wiper and lubrication system 200	131 g
SL0165S	Wiper and lubrication system 200 E	385 g
SL0166S	Wiper and lubrication system 16 S	13 g
SL0167S	Wiper and lubrication system 280	
SL0168S	Wiper and lubrication system 320	268 g
SL0169S	Wiper and lubrication system 360	

**Application:** SL0165S: End cover with felt lubrication pad for linear actuators. Two pairs are required for each carriage.

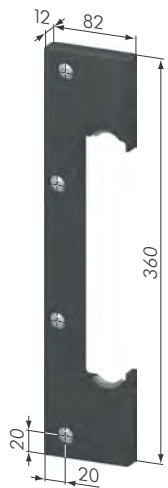
**Material:** aluminum, black anodized



SL0167S



SL0168S



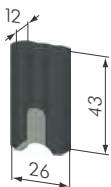
SL0169S

**Application:** SL0166S: Wiper and lubrication system for long carriages. The system is situated in a pocket of the carriage to protect the center rollers.

**Material:** PA 6, black

**Supply:** • 2x/4x cap head screw M 8 x 10 or M 8 x 16, DIN 7380, zinc-plated

**Accessories:** • lubrication lub MK5900020 for SL0162S, SL0164S and SL0165S  
• lubrication lub MK5900022 for SL0166S  
• lubrication lub MK5900024 for SL0167S, SL0168S and SL0169S  
• shaft oil SZ6003V



SL0166S





**Timing Belt Tensioners**

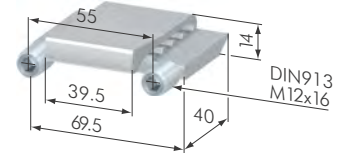
Part No	Description	Weight
SL0174N	Timing Belt Tensioner AT 10/22	125 g
SL0175N	Timing Belt Tensioner AT 10/50	250 g
SL0230N	Timing Belt Tensioner 25/280 AT 10/50	
SL0232N	Timing Belt Tensioner 25/360 AT 10/50	
SL0234N	Timing Belt Tensioner 25/320 AT 10/75	350 g



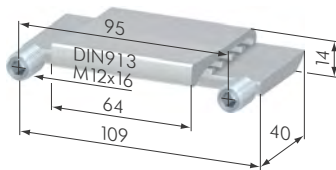
**Application:** Standard timing belt tensioner for timing belts AT 10/22 (for carriages 160), AT 10/50 (for carriages 200, 280, 360) and AT 10/75 (for carriages .../320).

**Material:** aluminum, natural anodized

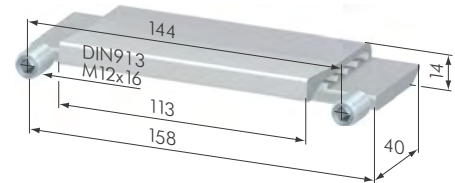
**Supply:** • 2x grub screw M 12 x 16, DIN 913



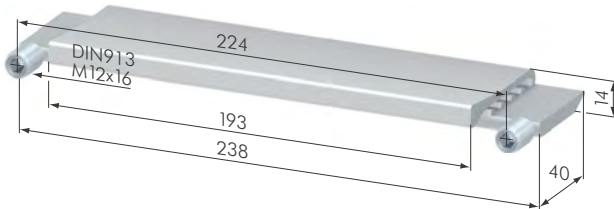
SL0174N



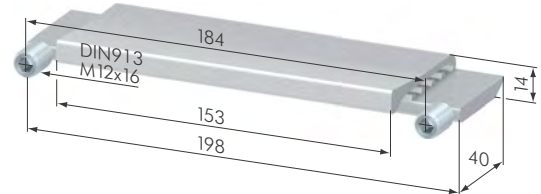
SL0175N



SL0230N



SL0232N



SL0234N



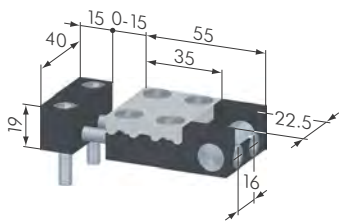
**Timing Belt Tensioners, external**

Part N°	Description	Weight
SL0190S	Timing Belt Tensioner 22, external	293 g
SL0191S	Timing Belt Tensioner 50, external	603 g

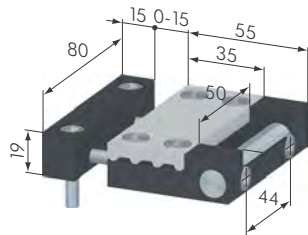
**Application:** For external tensioning of timing belts.

**Material:** steel, black

**Supply:** Complete as illustrated for the timing belt AT 10/22 and AT 10/50.



SL0190S



SL0191S

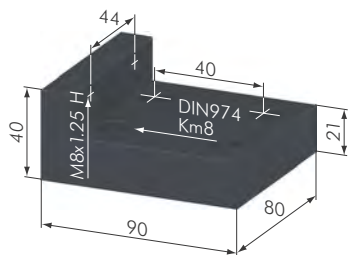


**Tensioning Plate Telescope Axis**

Part N°	Description	Weight
SL0209S	Tensioning Plate Telescope Axis	

**Application:** For tensioning of timing belt AT 10/50 via timing belt tensioner 50 external at the end of the profile.

**Material:** steel, black



SL0209S



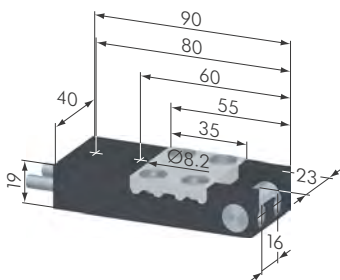
**Timing Belt Tensioner, external ZB**

Part N°	Description	Weight
SL0198S	Timing Belt Tensioner 22, external ZB	285 g
SL0199S	Timing Belt Tensioner 50, external ZB	771 g

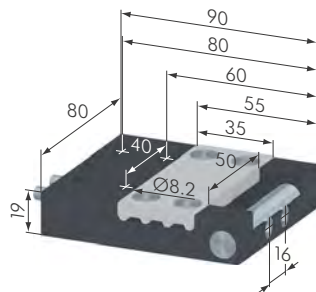
**Application:** For external tensioning of timing belts.

**Material:** steel, black

**Supply:** Complete as illustrated for the timing belt AT 10/22 and AT 10/50.



SL0198S



SL0199S



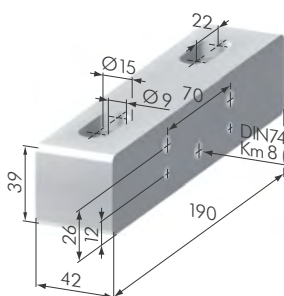
**Fixing Blocks**

Part N°	Description	Weight
SL0195N	Fixing Block 22	785 g
SL0196N	Fixing Block 50	1546 g

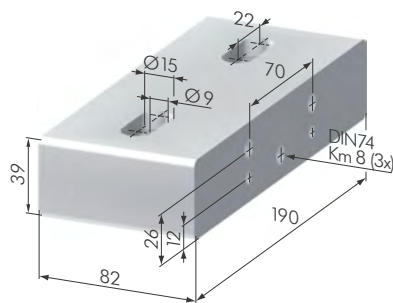
**Application:** For attaching external tensioners to the carriage.

**Material:** aluminum, natural anodized

**Supply:** No screws, fixing block only.



SL0195N



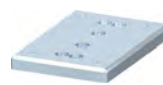
SL0196N

**Attachment Plates Tensioner**

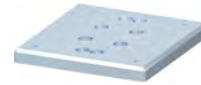
Part No	Description	Weight
SL0208S	Attachment Plate Tensioner 40 / 80	1.85 kg
SL0200S	Attachment Plate Tensioner 80 / 80	2.63 kg
SL0202S	Attachment Plate Tensioner 80 / 120	3.35 kg
SL0204S	Attachment Plate Tensioner 80 / 160	4.02 kg
SL0206S	Attachment Plate Tensioner 80 / 200	4.70 kg
SL0290S	Attachment Plate Tensioner C 80 / 100	

**Application:** For attaching of the external tensioners 22 ZB and 50 ZB respectively to the end of the track profile.

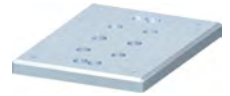
**Material:** steel, zinc-plated

**40**


SL0208S



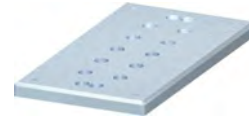
SL0200S



SL0200S



SL0204S



SL0200S



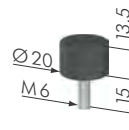
SL0200S

**End Stops**

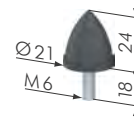
Part No	Description	Weight
SL8604S	End Stop 20 / 13.5 M6	
SL8600S	End Stop 21 / 24 M6	11 g
SL8601S	End Stop 32 / 36 M8	34 g
SL8602S	End Stop 52 / 58 M10	109 g
SL8603S	End Stop 75 / 89 M12	331 g

**Application:** For absorbing impact at the end of stroke positions.

**Material:** rubber, black

**40**


SL8604S



SL8600S



SL8601S



SL8602S



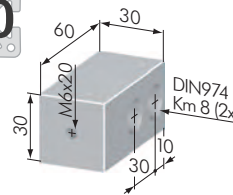
SL8603S

**Fixing Blocks For End Stops**

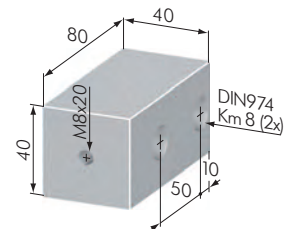
Part No	Description	Weight
SZ1530N	Fixing Block For End Stops M6	132 g
SZ1531N	Fixing Block For End Stops M8	331 g

**Application:** For attaching end stops.

**Material:** aluminum, natural anodized

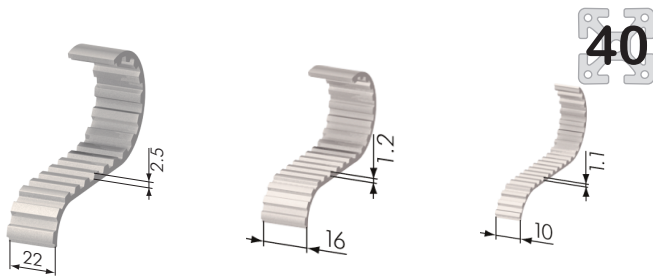
**40**


SZ1530N



SZ1531N

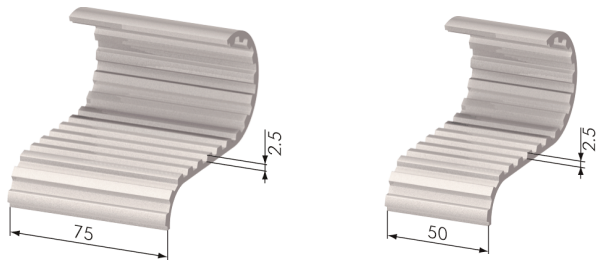




SL8500

SL8560

SL8550



SL8520

SL8510

Timing Belts		
Part No	Description	Weight
SL8550	Timing Belt AT 3/10	22 <sup>g</sup> /m
SL8560	Timing Belt AT 5/16	57 <sup>g</sup> /m
SL8500	Timing Belt AT 10/22	250 <sup>g</sup> /m
SL8510	Timing Belt AT 10/50	308 <sup>g</sup> /m
SL8520	Timing Belt AT 10/75	563 <sup>g</sup> /m

- Application:**
- AT 3/10 for pulley assembly C-40/57
  - AT 5/16 for pulley assembly C-40/100
  - AT 10/22 for pulley assemblies 40/40, 40/80, C-80/100
  - AT 10/50 for pulley assemblies 80/80, 80/100, 80/120, 120/120-50
  - AT 10/75 for pulley assembly 120/120-75

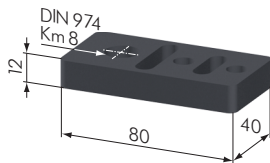
**Material:** abrasion resistant polyurethane with steel cording

**Technical Data:** operating temperature max. 80° C (176° F)

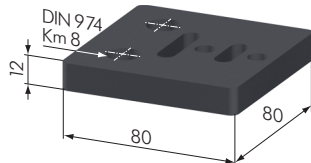
Timing Belt	Tensile Strength	Elongation
AT 3/10	410 N	0.1% with 102 N
AT 5/16	1260 N	0.1% with 315 N
AT 10/22	3200 N	0.1% with 800 N
AT 10/50	8050 N	0.1% with 2012 N
AT 10/75	12220 N	0.1% with 3055 N



Adapter Plates		
Part No	Description	Weight
SL0250S	Adapter Plate 40 x 80	75 g
SL0255S	Adapter Plate 80 x 80	176 g
SL0257S	Adapter Plate U 80 x 90	
SL0260S	Adapter Plate 80 x 120	



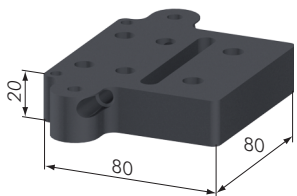
SL0250S



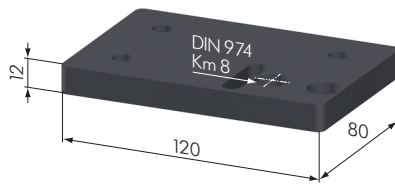
SL0255S

**Application:** To connect pulley assemblies 40 x 40 to the corresponding track profiles.

**Material:** aluminum, black anodized



SL0257S



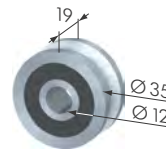
SL0260S

**Rollers, Roller Axles 16**

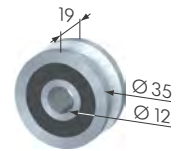
Part No	Description	Weight
SL0155G	Roller 16	125 g
SL0155N	Roller 16, corrosion-resistant	125 g
SL0152S	Roller Axle 16, concentric	78 g
SL0153S	Roller Axle 16, excentric	77 g

**Application:** For free running linear actuator systems in conjunction with a guidance rail  $\varnothing 16$ .

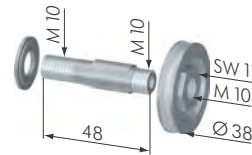
**Material:**  
 SL0155G: steel, hardened and ground  
 SL0155N: stainless-steel, corrosion-resistant  
 SL0152S: stainless-steel  
 SL0153S: stainless-steel

**40**


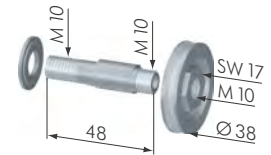
SL0155G



SL0155N



SL0152S



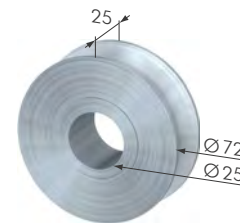
SL0153S

**Rollers, Roller Axles 25**

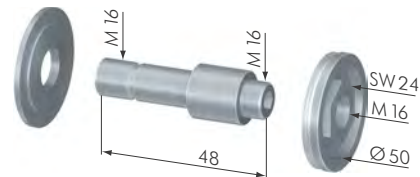
Part No	Description	Weight
SL0157G	Roller 25	409 g
SL0154Z	Roller Axle 25, concentric	284 g
SL0154E	Roller Axle 25, excentric	284 g

**Application:** For free running linear actuator systems in conjunction with a guidance rail  $\varnothing 25$ .

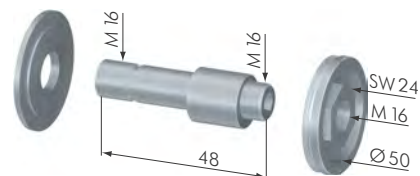
**Material:**  
 SL0157G: steel, hardened and ground  
 SL0154Z: stainless-steel  
 SL0154E: stainless-steel

**40**


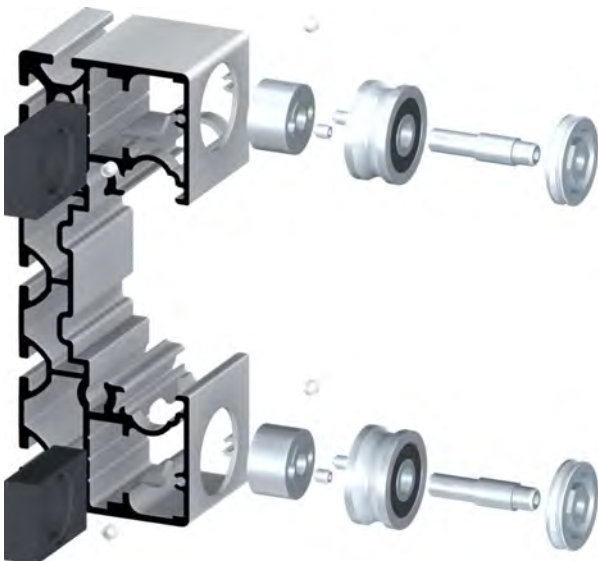
SL0157G



SL0154Z

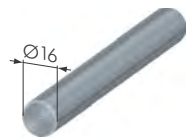


SL0154E





SL0184G



SL0185G



SL0188G



SL0189G



**Guidance Rails**

Part N°	Description	Weight
SL0184G	Ø 16 mm	1.58 kg/m
SL0184G3000	Ø 16 mm, L = 3000 mm	4.74 kg
SL0185G	Ø 16 mm, corrosion-resistant	1.58 kg/m
SL0185G3000	Ø 16 mm, SS, L = 3000 mm	4.75 kg
SL0188G	Ø 25 mm	3.85 kg/m
SL0188G3000	Ø 25 mm, L = 3000 mm	11.55 kg
SL0189G	Ø 25 mm, corrosion-resistant	3.86 kg/m
SL0189G3000	Ø 25 mm, L = 3000 mm, corr.-res.	11.57 kg
SB1500	Doweling Of Guidance Rail	

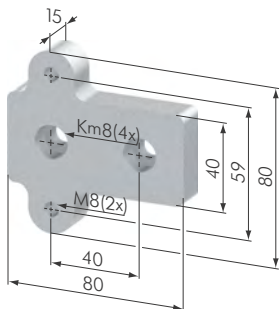
**Application:** Guidance rail for rollers Ø 16 and Ø 25.

**Material:** guidance rail Ø 16 h6/Ø 25 h6: steel, hardened and ground

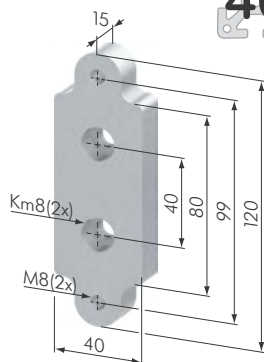
**Technical Data:** min. hardness depth: 1.6 mm  
HRc: 62 ± 2 mm  
RZ: 1.6 µm



SB1500



SL0211N



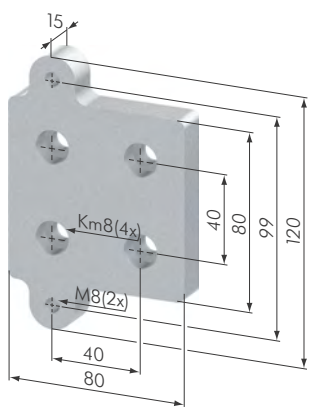
SL0212N

**Rail Stop Plates For Guidance Rails Ø 16**

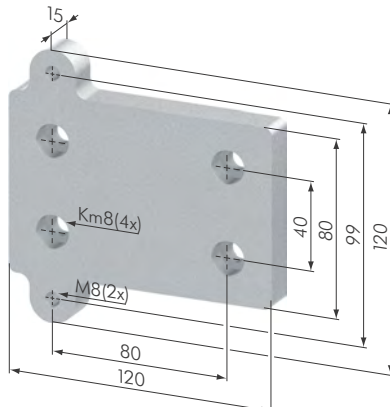
Part N°	Description	Weight
SL0210N	Rail Stop Plate 16 40 x 40	70 g
SL0211N	Rail Stop Plate 16 40 x 80 / 40	83 g
SL0212N	Rail Stop Plate 16 40 x 80 / 40	144 g
SL0213N	Rail Stop Plate 16 80 x 80	214 g
SL0214N	Rail Stop Plate 16 80 x 120	294 g

**Application:** End fixing of guidance rail.

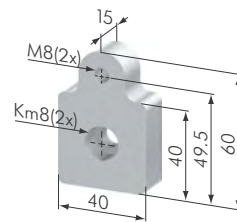
**Material:** aluminum, natural anodized



SL0213N



SL0214N



SL0210N



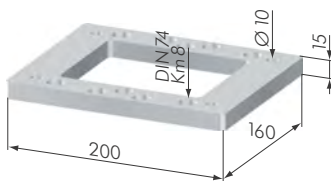
**Carriage Joining Plates**

Part No	Description	Weight
SL0512N	Carriage Joining Plate 200 x 200	780 g
SL0514N	Carriage Joining Plate 240 x 200	890 g
SL0516N	Carriage Joining Plate 280 x 200	1000 g
SL0510N	Carriage Joining Plate 160 x 200	700 g
SL0502N	Carriage Joining Plate 356 x 200	2300 g

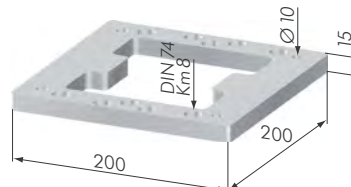


**Application:** For a strong connection of two carriages.

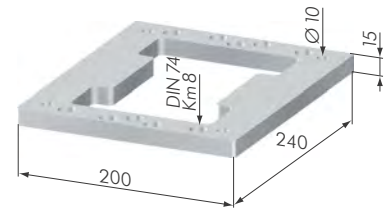
**Material:** aluminum, natural anodized



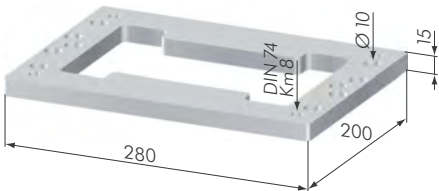
SL0510N



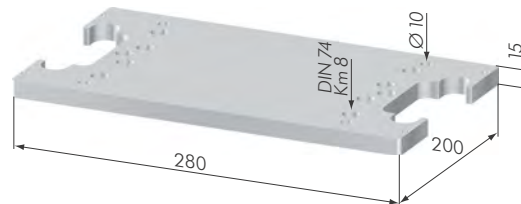
SL0512N



SL0514N



SL0516N



SL0502N

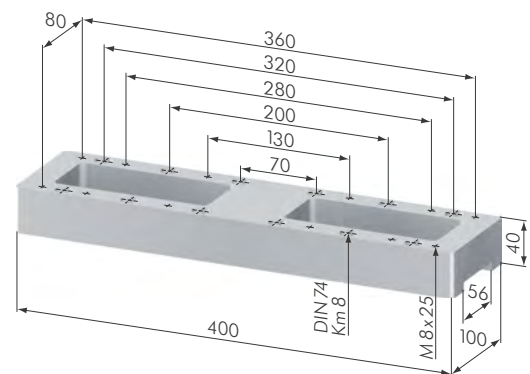
**Attachment Plate TSA**

Part No	Description	Weight
SL0550N	Attachment Plate Plate 400 x 100, for TSA	

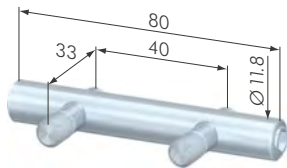


**Application:** Joining plate for Omega drive 50 for assembling of the drive unit of telescope axis SL5400N.

**Material:** aluminum, natural anodized



SL0550N



SV3100V

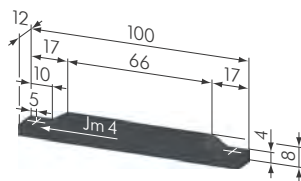


**Special Fastener 120**

Part No	Description	Weight
SV3100V	Special Fastener 120	67 g

**Application:** To affix pulley assembly only to track profile 80 x 120.

**Material:** steel, zinc-plated



SL1500S

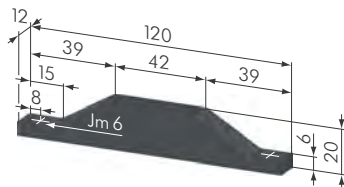


**Limit Switch Cams**

Part No	Description	Weight
SL1500S	Limit Switch Cam 100	60 g
SL1502S	Limit Switch Cam 120	145 g

**Application:** Cams for mechanical limit switches.

**Material:** steel, zinc-plated; black



SL1502S



**End Of Stroke Set 8**

Part No	Description	Weight
SL8610V	End Of Stroke Set 8	100 g

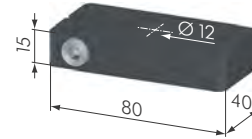
**Application:** To absorb impact at the ends of the stroke positions. An M 8 cap head screw is screwed into the underside of the carriage, the screw head protrudes into the profile groove. A PUR cord buffer is situated between the t-nuts. The outer t-nut is fixed into position. The inner t-nut moves freely in the profile t-slot. One complete set is required for each position.

**Material:** stainless-steel, rubber

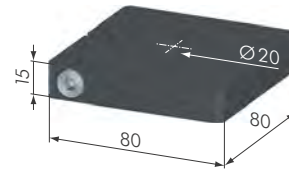




Clamping Plates		
Part No	Description	Weight
SL0222S	Clamping Plate 40 x 80	322 g
SL0227S	Clamping Plate 80 x 80	624 g



SL0222S



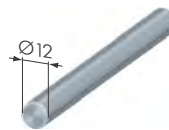
SL0227S

**Application:** For clamping guidance rail  $\varnothing$  12 mm (SL0222S) or guidance rail  $\varnothing$  20 mm (SL0227S).

**Material:** steel, zinc-plated

**Supply:** SL0222S: clamp screw M 8 x 20  
SL0227S: clamp screw M 8 x 30

Guidance Rails		
Part No	Description	Weight
SL0181G	$\varnothing$ 10 mm	612 <sup>g</sup> /m
SL0181G3000	$\varnothing$ 10 mm, L = 3000 mm	1.84 kg
SL0182G	$\varnothing$ 12 mm	880 <sup>g</sup> /m
SL0182G3000	$\varnothing$ 12 mm, L = 3000 mm	2.64 kg
SL0186G	$\varnothing$ 20 mm	2.45 <sup>kg</sup> /m
SL0186G3000	$\varnothing$ 20 mm, L = 3000 mm	7.35 kg
SB1008	Cutting Charge For Guidance Rail	



SL0182G

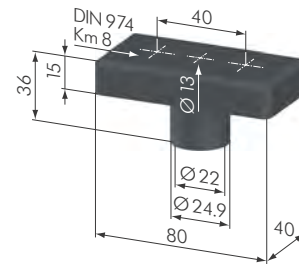


SL0186G

**Application:** For linear guidance systems in conjunction with the linear flange plates 40 x 80 and 80 x 80.

**Material:** steel, hardened and ground

Linear Flange Plates		
Part No	Description	Weight
SL0300S	Linear Flange Plate 40 x 80	130 g
SL0400S	Linear Flange Plate 80 x 80	239 g



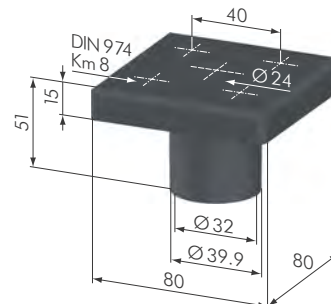
SL0300S

**Application:** For building linear guidance systems in conjunction with profile size / guidance rail.  
40 x 80 /  $\varnothing$  12 mm  
80 x 80 /  $\varnothing$  20 mm

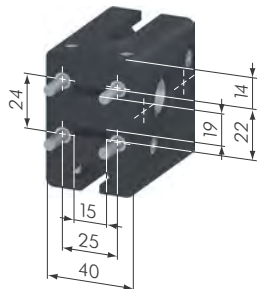
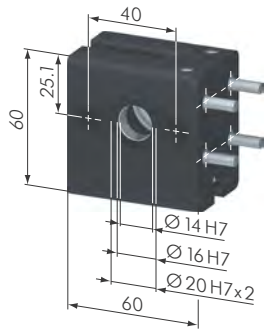
**Material:** steel, hardened and ground

**Supply:** with internal ball bushing: 0670-212-40 for 40 x 80  
0670-220-40 for 80 x 80

Compensates for alignment errors of 30' maximum.



SL0400S



SL9800S

Pulley Assembly		
Part N°	Description	Weight
SL9800S	Pulley Assembly C 40 / 57	

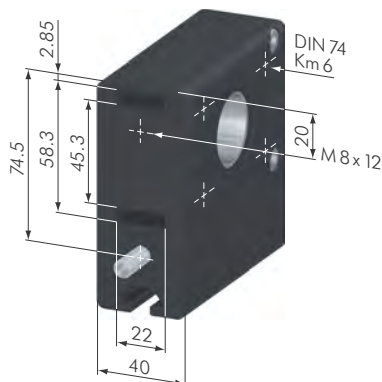
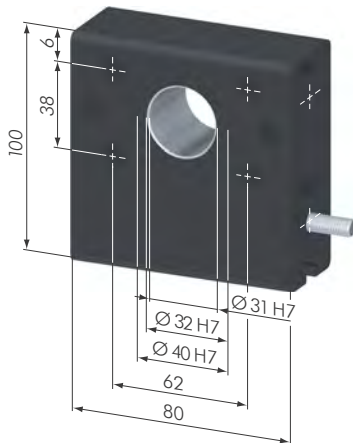
**Application:** This pulley assembly is used in conjunction with *Paletti* linear components to manufacture linear actuators.

**Material:** casing: aluminum, black anodized

**Technical Data:**

- timing belt AT 3 / 10: maximum loading MD = 5 Nm
- timing belt pulley: aluminum, tooth pitch AT 3  
    No of teeth 20
- pitch circle diameter: 19.10 mm
- bearing type: 61902-2Z
- With shrunken fit drive (steel) upon customer request (included in the price).
- max. bore for motor with keyway: Ø 14H7
- timing belt length 180°: 90.0 mm

Connected to profile via four special fasteners type G (SV1071V).  
Motor connection via flange plates per customer request.



SL9805S

Pulley Assembly		
Part N°	Description	Weight
SL9805S	Pulley Assembly C 40 / 100	

**Application:** This pulley assembly is used in conjunction with *Paletti* linear components to manufacture linear actuators.

**Material:** casing: aluminum, black anodized

**Technical Data:**

- timing belt AT 5 / 16: maximum loading MD = 15 Nm
- timing belt pulley: aluminum, tooth pitch AT 5  
    No of teeth 32
- pitch circle diameter: 50.93 mm
- bearing type: 61808-2Z
- With shrunken fit drive (steel) upon customer request (included in the price).
- max. bore for motor with keyway: Ø 18H7
- timing belt length 180°: 180.0 mm

Connected to profile via one central fastener type G (SV1071V) and one cap head screw DIN 912. Motor connection via flange plates per customer request.

**Pulley Assembly**

Part N°	Description	Weight
SL9810S	Pulley Assembly C 80 / 100	1.56 kg

**40**

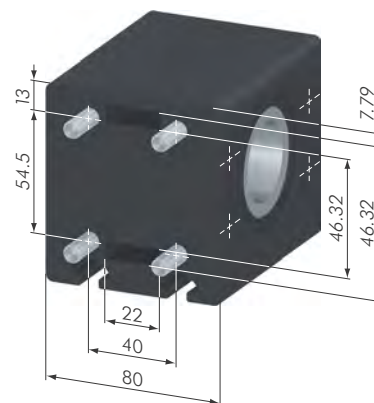
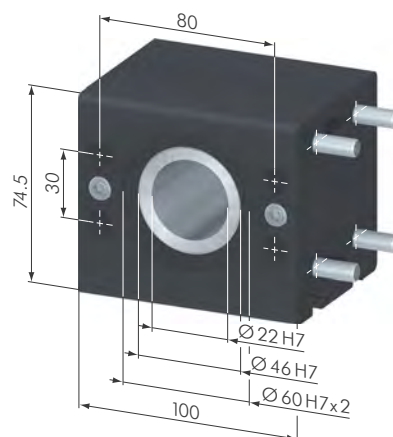
**Application:** This pulley assembly is used in conjunction with *Paletti* linear components to manufacture linear actuators.

**Material:** casing: aluminum, black anodized

**Technical Data:**

- timing belt AT 10/22: maximum loading MD = 70 Nm
- timing belt pulley: aluminum, tooth pitch AT 10  
Ne of teeth 19
- bearing type: 61909-RS
- pitch circle diameter: 60.48 mm
- With shrunken fit drive (steel) upon customer request (included in the price).
- max. bore for motor with keyway:  $\varnothing 22H7$
- timing belt length 180°: 195.0 mm

Connected to profile via four cap head screws DIN912.  
Motor connection via flange plates per customer request.


**SL9810S**
**Omega Drive**

Part N°	Description	Weight
SL9820S	Omega Drive AT 5 / 16	

**40**

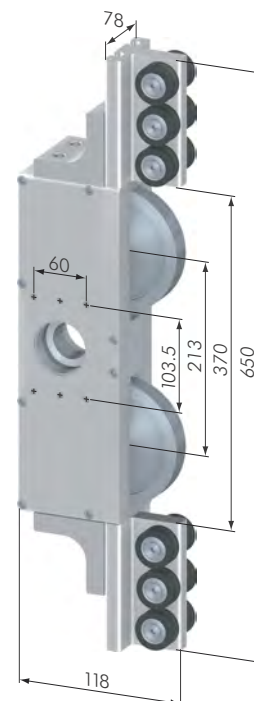
**Application:** This Omega drive is used in conjunction with the *Paletti* C-Track 80 x 100 to manufacture linear actuators.

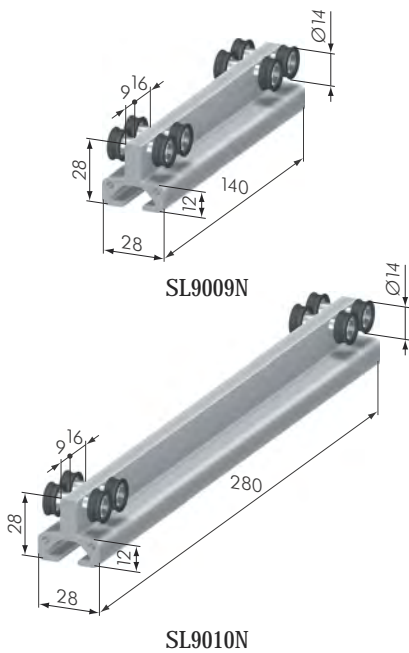
**Material:** casing: aluminum, black anodized

**Technical Data:**

- timing belt AT 5/16: maximum loading MD = 70 Nm
- timing belt pulley: aluminum, tooth pitch AT 5  
Ne of teeth 56
- pitch circle diameter: 89.13 mm
- With shrunken fit drive (steel)
- per customer request (included in the price).
- max. bore for motor with keyway:  $\varnothing 30H7$
- max. bore for motor with taper lock coupling:  $\varnothing 34H7$
- timing belt length 180°: 195.0 mm

Motor connection via flange plates per customer request.


**SL9820S**



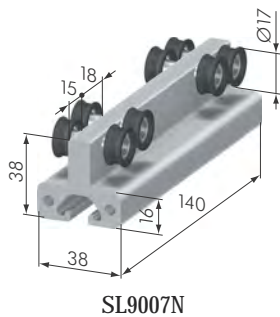
30

Double Carriage C 30 / 43		
Part No	Description	Weight
SL9009N	Double Carriage 30 / 43 140 / 8	
SL9010N	Double Carriage 30 / 43 280 / 8	

**Application:** For creating sliding doors and other linear applications.

**Material:** profile: aluminum, natural anodized  
roller: POM

**Technical Data:**  
The carriage rollers have no excentric adjustment. The rollers are preset to suit the internal guidance form of the track profile.



40

Double Carriage C 40 / 57		
Part No	Description	Weight
SL9007N	Double Carriage 40 / 57 140 / 8	
SL9008N	Double Carriage 40 / 57 280 / 8	

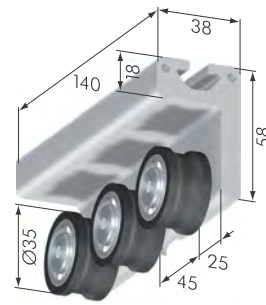
**Application:** For creating sliding doors and other linear applications.

**Material:** profile: aluminum, natural anodized  
roller: POM

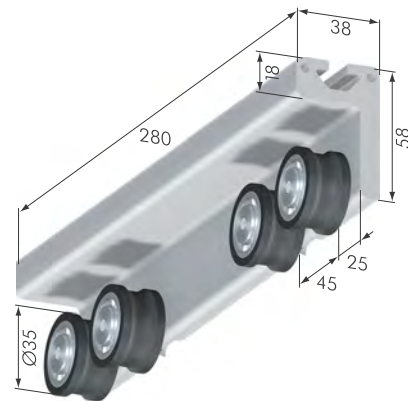
**Technical Data:**  
The carriage rollers have no excentric adjustment. The rollers are preset to suit the internal guidance form of the track profile.

**Single Carriage C 40 / 100**

Part No	Description	Weight
SL9005N	Single Carriage 40 / 100 140 / 3 pressure version	
SL9006N	Single Carriage 40 / 100 280 / 4 pressure version	
SL9011N	Single Carriage 40 / 100 140 / 3, pull version	
SL9012N	Single Carriage 40 / 100 280 / 4, pull version	



SL9005N



SL9006N

**Application:** For creating sliding doors and other linear applications.

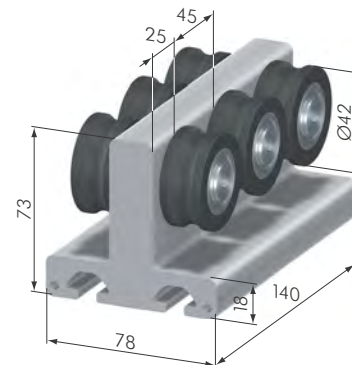
**Material:** profile: aluminum, natural anodized  
roller: POM

**Technical Data:**

- excentric adjustment:  $\pm 0.9$  mm

**Single / Double Carriage C 80 / 100**

Part No	Description	Weight
SL9000N	Double Carriage C 80 / 100 140 / 6	625 g
SL9001N	Double Carriage C 80 / 100 280 / 8	1000 g
SL9002N	Single Carriage C 80 / 100 140 / 3	508 g
SL9003N	Single Carriage C 80 / 100 280 / 4	348 g



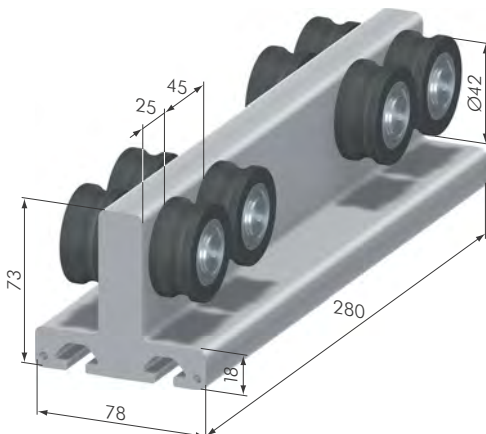
SL9000N

**Application:** For creating sliding doors and other linear applications.

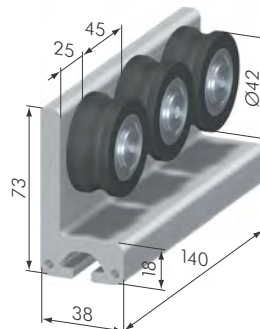
**Material:** profile: aluminum, natural anodized  
roller: POM

**Technical Data:**

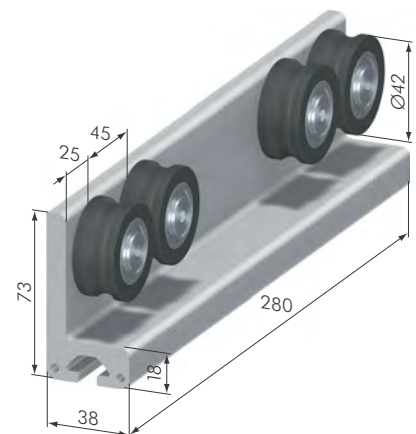
- excentric adjustment:  $\pm 0.9$  mm



SL9001N

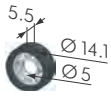


SL9002N

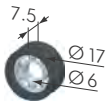


SL9003N

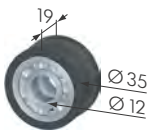
40



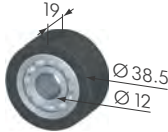
SL0161S



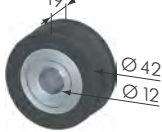
SL0160S



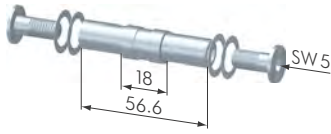
SL0159S



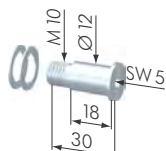
SL0156S



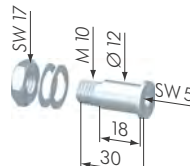
SL0158S



SL0150E



SL0150Z

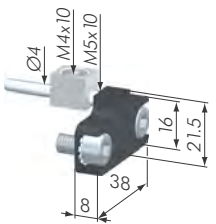


SL0151E

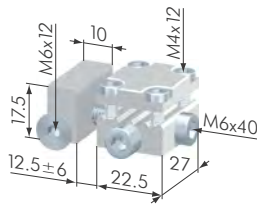
Rollers / Roller Axles		
Part No	Description	Weight
SL0161S	Roller C 30 / 43 POM	
SL0160S	Roller C 40 / 57 POM	
SL0159S	Roller C 40 / 100 POM	
SL0156S	Roller C 80 / 100 POM, straight	
SL0158S	Roller C 80 / 100 POM	
SL0150E	Roller Axle Double C-Carriage 80 E	
SL0150Z	Roller Axle C-Carriage 80 Z	
SL0151E	Roller Axle Single C-Carriage E	

**Application:** Rollers used when constructing custom C-carriages. The roller C 80/100 POM, straight, can be used in conjunction with the roller C 80/100 POM in order to withstand higher loads. The concentric roller axle is used for both single and double sided C-carriages.

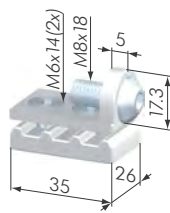
40



SL0240N



SL0241N



SL0242N

Timing Belt Tensioners		
Part No	Description	Weight
SL0240N	Timing Belt Tensioner C 40 / 57	
SL0241N	Timing Belt Tensioner C 40 / 100	
SL0242N	Timing Belt Tensioner C 80 / 100	

**Application:** For attaching and tensioning of the timing belt to the C-carriages. Manufactures free running and long-living linear actuator systems, that do not need any lubrication of the roller guidance.

### Pulley Assembly 80 / 90

Part N <sup>o</sup>	Description	Weight
SL9850S	Pulley Assembly 80 / 90	

40

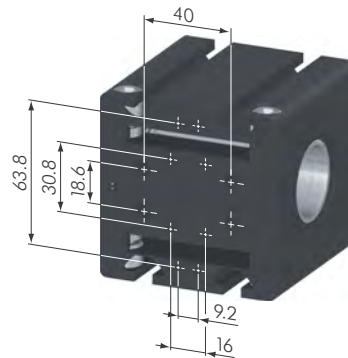
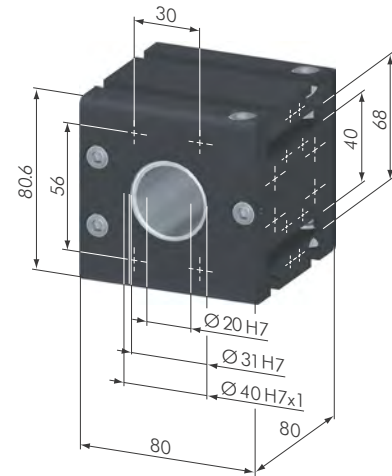
**Application:** This pulley assembly is used in conjunction with Paletti linear components to manufacture linear actuators.

**Material:** casing: aluminum, black anodized

#### Technical Data:

- timing belt AT 10 / 50: maximum loading MD = 60 Nm
- timing belt pulley: aluminum, tooth pitch AT 10  
Ne of teeth 15
- pitch circle diameter: 47.75 mm
- bearing type: 619079-2RSR
- With shrunk fit drive (steel) on customer request (included in the price).
- max. bore for motor with keyway:  $\varnothing 30H7$
- max. bore for motor with taper lock coupling:  $\varnothing 34H7$
- timing belt length 180°: 151.0 mm

Connected to profile via four special central fasteners type G, four grub screws M 4 x 30 and two T-nuts M 5 mini (SV2193V). Motor connection via flange plates per customer request.



SL9850S

### Carriage 80 / 90

Part N <sup>o</sup>	Description	Weight
SL8310N	Carriage 80 / 90 160 / 8	1,15 kg
SL8320N	Carriage 80 / 90 200 / 10	
SL8330N	Carriage 80 / 90 280 / 10	

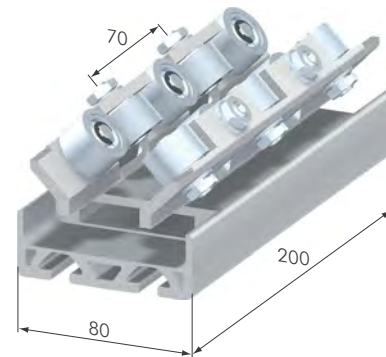
40

**Application:** For free running, high-load linear guidance systems. Upon request, the carriage is also available in different lengths and with varying numbers of rollers.

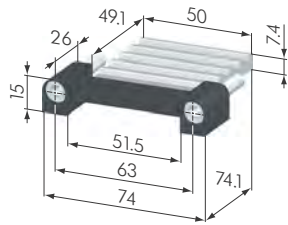
**Material:** carriage: aluminum, natural anodized  
timing belt tensioner: aluminum, natural anodized  
roller axles, bearings: stainless-steel  
roller shell: plastic

#### Technical Data:

- operational speed: 8 m/s
- maintenance-free



SL8320N



SL0180S

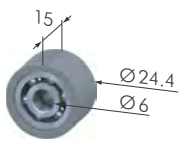


**Timing Belt Tensioner 80 / 90**

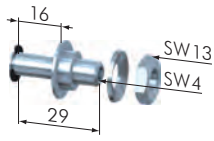
Part No	Description	Weight
SL0180S	Timing Belt Tensioner 80 / 90	101 g

**Application:** For attaching and tensioning of the timing belt to the carriage 80 / 90.

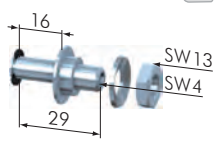
**Material:** timing belt tensioner: steel, black  
 clamping plate: aluminum, natural anodized



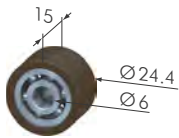
SL0130S



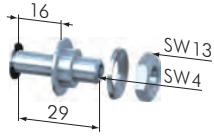
SL0110V



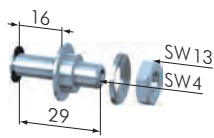
SL0120V



SL0135V



SL0115V



SL0125V



**Roller / Roller Axle 80 / 90**

Part No	Description	Weight
SL0130S	Roller F 80 / 90	18.4 g
SL0110V	Roller Axle 80 / 90, concentric	16.8 g
SL0120V	Roller Axle 80 / 90, excentric	16.8 g
SL0135V	Roller F 80 / 90 VU	
SL0115V	Roller Axle 80 / 90 VU, concentric	16.8 g
SL0125V	Roller Axle 80 / 90 VU, excentric	16.8 g

**Application:** Rollers and roller axles for the assembly of free running and resilient single and double guidances, that do not need any lubrication of the roller guidance.

**Material:** roller shell: plastic or Vulkollan (rubber)  
 roller axles: stainless-steel



single guidance 80 / 90



double guidance 80 / 90



**Carriage 120**

Part N°	Description	Weight
SL8340N	Carriage 120, steel rollers	
SL8345N	Carriage 120, plastic rollers	

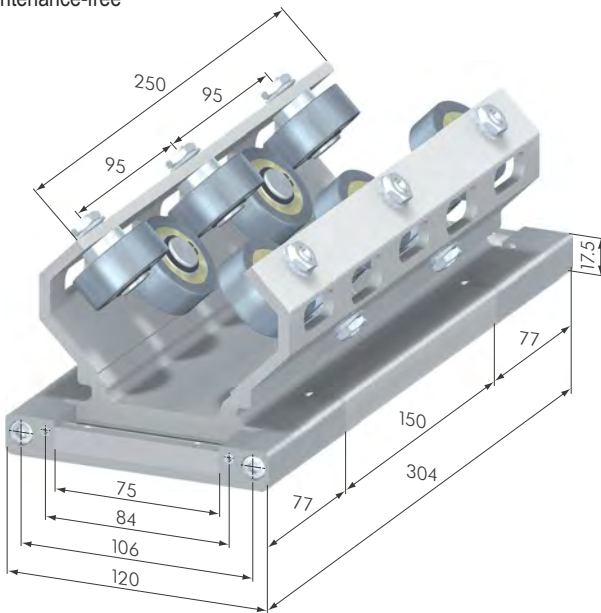
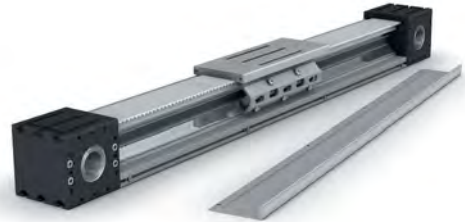
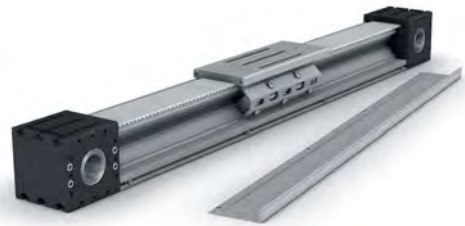
**40**

**Application:** For free running, high-load linear guidance systems. Upon request, the carriage is also available in different lengths and with varying numbers of rollers.

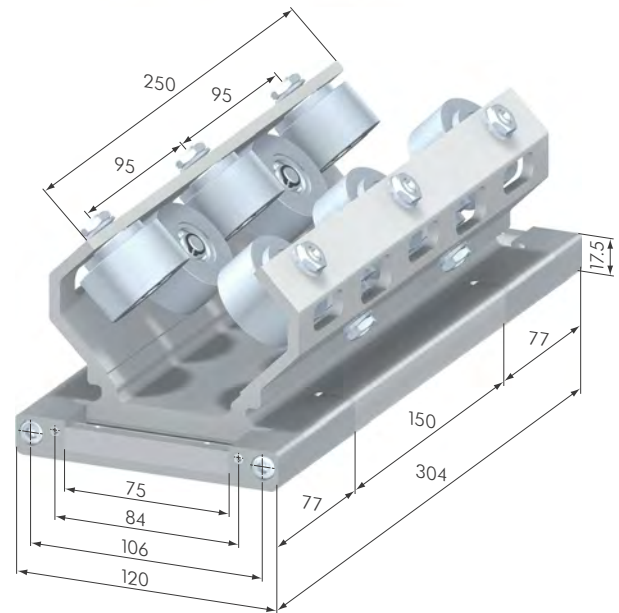
**Material:** carriage: aluminum, natural anodized  
 timing belt tensioner: aluminum, natural anodized  
 roller axles, bearings: steel, zinc-plated  
 roller shell: steel, zinc-plated (SL8340N)  
 plastic (SL8345N)

**Technical Data:**

- operational speed: 8 m/s
- maintenance-free



SL8340N



SL8345N

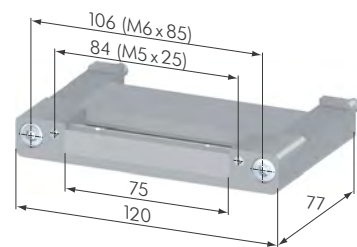
**Timing Belt Tensioner 120 x 120 45°**

Part N°	Description	Weight
SL0185S	Timing Belt Tensioner 120 x 120 45°	

**40**

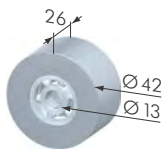
**Application:** For attaching and tensioning of the timing belt AT 10 / 75 to the carriage 120 to manufacture free running and long-living linear actuator systems, that do not need any lubrication of the roller guidance.

**Material:** aluminum, natural anodized

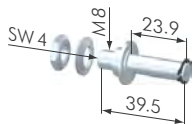


SL0185S

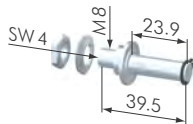
40



SL0140S



SL0132V



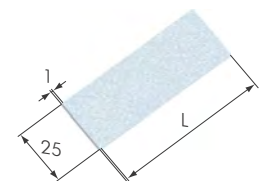
SL0133V

Roller / Roller Axles 100 / 120		
Part No	Description	Weight
SL0140S	Roller 100 / 120	
SL0133V	Roller Axle 100 / 120, concentric	
SL0132V	Roller Axle 100 / 120, excentric	

**Application:** Rollers and roller axles for the assembly of free running and resilient linear actuators, that do not need any lubrication of the roller guidance.

**Material:** roller shell: plastic  
roller axles: stainless-stell

40



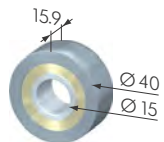
SL0187G

Steel Strap		
Part No	Description	Weight
SL0187G	Steel Strap	
SL0187G3000	Steel Strap, L = 3000 mm	

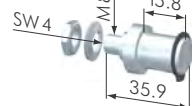
**Application:** Roller guide of linear actuator 120 x 120 AT 10/75 with steel rollers.

**Material:** cold-rolled steel strap

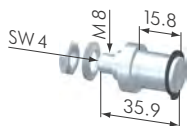
40



SL0141G



SL0130V

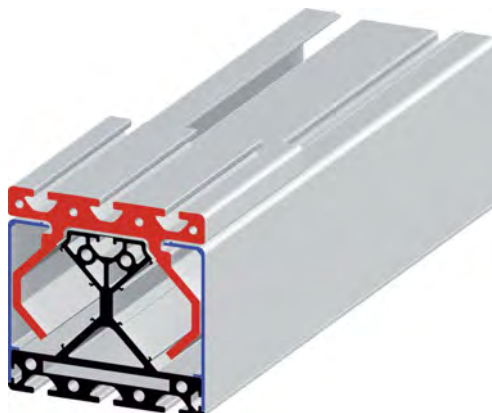


SL0131V

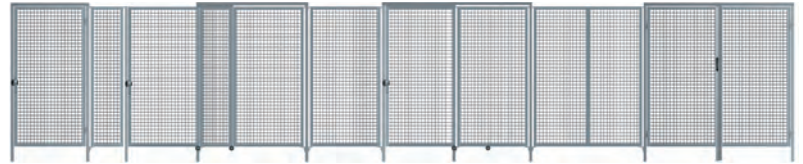
Roller / Roller Axles 100 / 120 Steel		
Part No	Description	Weight
SL0141G	Roller 100 / 120 Steel	
SL0130V	Roller Axle 100 / 120 Steel, concentric	
SL0131V	Roller Axle 100 / 120 Steel, excentric	

**Application:** Rollers and roller axles for the assembly of free running and resilient linear actuators, that do not need any lubrication of the roller guidance.

**Material:** roller shell: stainless-steel  
roller axles: stainless-steel

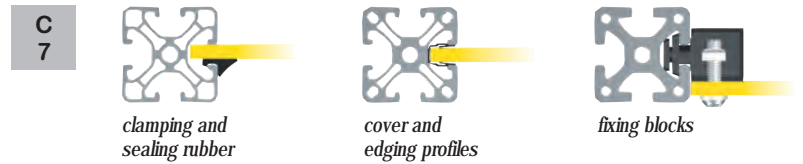


The protection and separating wall system comprises of a number of different profile families.



### Standard Profiles (2 mm thru 8 mm)

From the extensive range of Silverline profiles, most static requirements can be met. Sheet materials are easily affixed using accessories from the catalogue (section E).



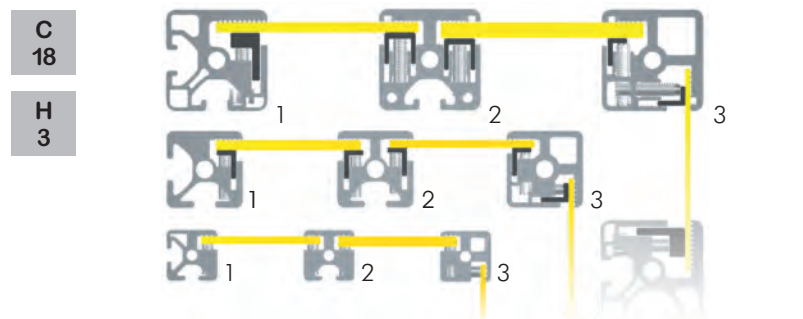
### Blend Profiles (2 mm and 6 mm)

Blend profiles attach 2 mm and 6 mm sheet elements to standard profiles when pressed into the grooves.



### Clamp Profiles

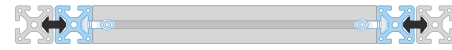
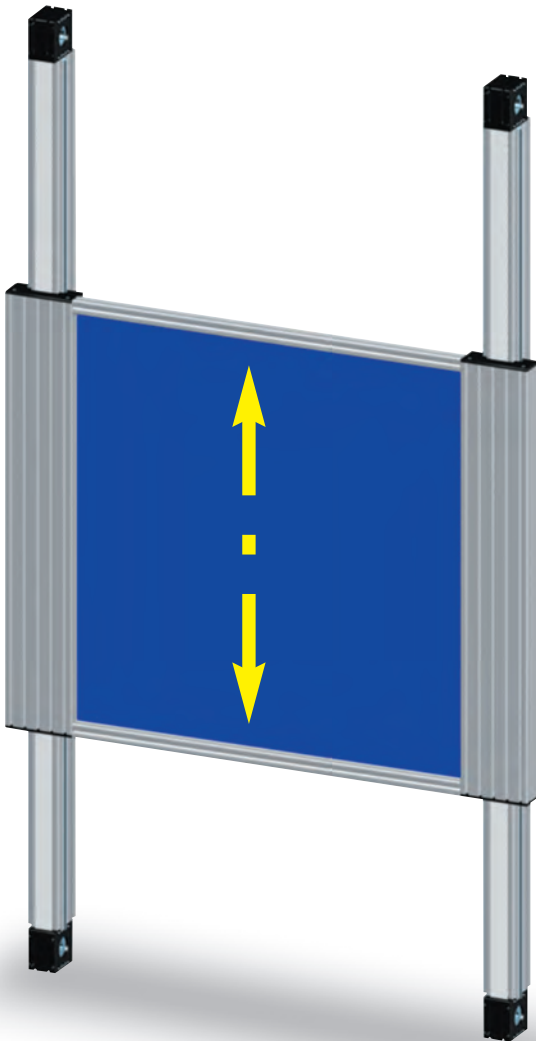
Clamp profiles are used for clamping sheet materials to standard profiles. In this connection an aluminum strip is pressed on the sheet material via grub screws and secures the sheet material to the profile frame. They are manufactured for all three profile ranges (40, 30, 20) in three different designs.



### The Frame Profile (up to 8.5 mm)

The protection wall panel is assembled from frame profiles. The panel frame is made using the basic profile. The sheet element is laid into the frame and held in position by the panel profile. The left and right sides are fastened first, followed by the top and bottom. The panel profiles are comprised of a plastic and aluminum cover profile attached to a frame profile. The supplied rubber is designed to compensate for the differences in thickness of the sheet elements.





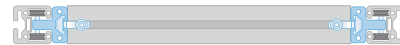
System Glider



C-Track 30 x 43, with clamp profile



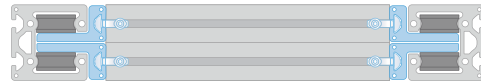
C-Track 30 x 43



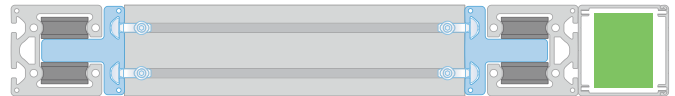
C-Track 40 x 57



C-Track 40 x 100

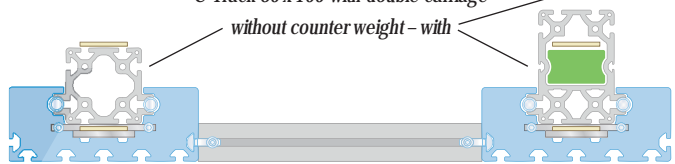


C-Track 80 x 100, with two single carriages



C-Track 80 x 100 with double carriage

without counter weight - with



Linear Actuator 16 - 80 x 120 8N

Track Profiles For Vertical Lift Doors

An extensive range of vertical and horizontal sliding doors can be manufactured from the *Paletti* range of profiles and actuator accessories.

The following are a few examples showing how sliding doors are manufactured. The doors can be operated by electric motors, pneumatic cylinders or by counter balances and gas pressure dampers for ease of operation.



**Clamp Profiles 40**

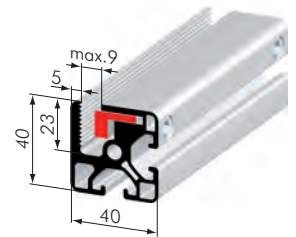
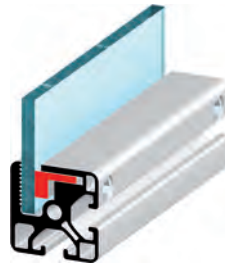
Part No	Description	Length	Weight
SP7401N	Clamp Profile 40, complete	cut	2.25 kg/m
SP7400N3000	Clamp Profile 40, complete	3000 mm	6.75 kg
SP7400N6000	Clamp Profile 40, complete	6000 mm	13.50 kg
SP7411N	Clamp Profile 40 180°, complete	cut	2.31 kg/m
SP7410N3000	Clamp Profile 40 180°, complete	3000 mm	6.92 kg
SP7410N6000	Clamp Profile 40 180°, complete	6000 mm	13.84 kg
SP7421N	Clamp Profile 40 90°, complete	cut	2.31 kg/m
SP7420N3000	Clamp Profile 40 90°, complete	3000 mm	6.82 kg
SP7420N6000	Clamp Profile 40 90°, complete	6000 mm	13.84 kg

**Application:** Simple mounting of sheet elements and wire mesh (max. 9 mm) suitable for the construction of protective guards, doors, etc. The clamped surface material gives a highly rigid construction.

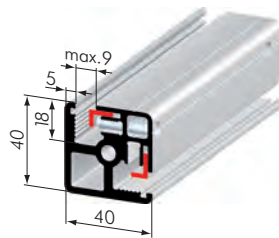
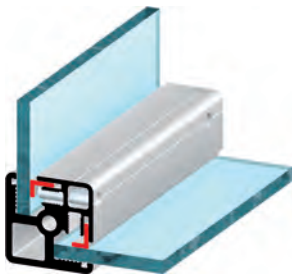
**Material:** aluminum, natural anodised

**Supply:** Complete with clamp strip and grub screws.

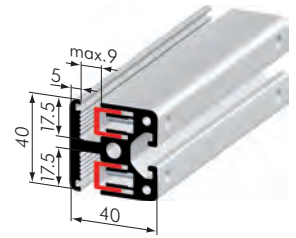
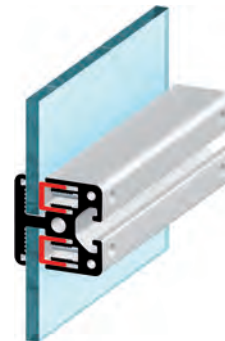
- SP7401N: grub screw M6 x 16, DIN 912
- SP7411N: grub screw M6 x 25, DIN 913



SP7401N



SP7421N



SP7411N

30

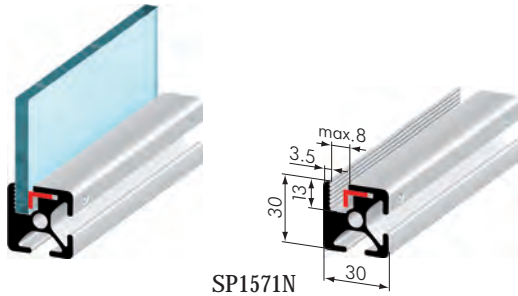
Clamp Profiles 30 midi			
Part No	Description	Length	Weight
SP1571N	Clamp Profile 30, complete	cut	1.27 kg/m
SP1570N3000	Clamp Profile 30, complete	3000 mm	3.81 kg
SP1570N6000	Clamp Profile 30, complete	6000 mm	7.62 kg
SP1581N	Clamp Profile 30 180°, complete	cut	1.36 kg/m
SP1580N3000	Clamp Profile 30 180°, complete	3000 mm	3.98 kg
SP1580N6000	Clamp Profile 30 180°, complete	6000 mm	7.96 kg
SP1640N	Clamp Profile 30 90°, complete	cut	1.65 kg/m
SP1640N3000	Clamp Profile 30 90°, complete	3000 mm	4.95 kg
SP1640N6000	Clamp Profile 30 90°, complete	6000 mm	9.90 kg

**Application:** Simple mounting of sheet elements and wire mesh (max. 8 mm) suitable for the construction of protective guards, doors, etc. The clamped surface material gives a highly rigid construction.

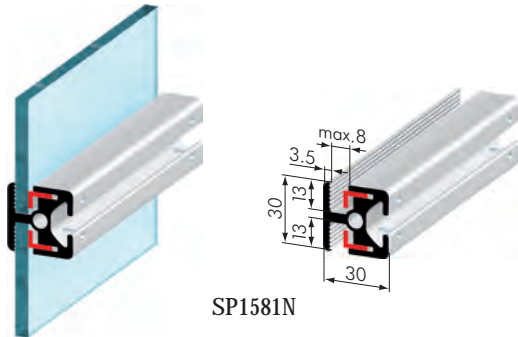
**Material:** aluminum, natural anodised

**Supply:**

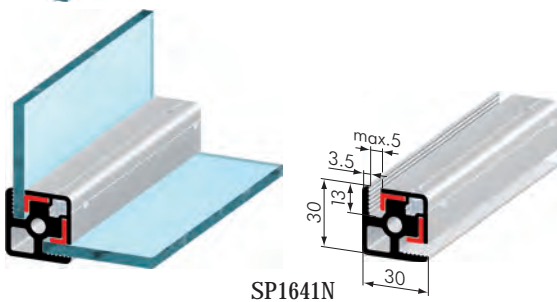
- clamp strip
- grub screws M5 x 12, DIN 913



SP1571N



SP1581N



SP1641N

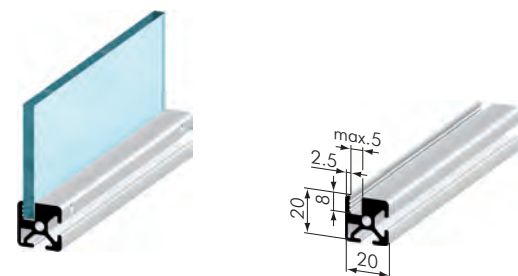
20

Clamp Profiles 20 mini			
Part No	Description	Length	Weight
SP2031N	Clamp Profile 20, complete	cut	0.60 kg/m
SP2030N3000	Clamp Profile 20, complete	3000 mm	1.80 kg
SP2030N6000	Clamp Profile 20, complete	6000 mm	3.60 kg
SP2041N	Clamp Profile 20 180°, complete	cut	0.66 kg/m
SP2040N3000	Clamp Profile 20 180°, complete	3000 mm	1.98 kg
SP2040N6000	Clamp Profile 20 180°, complete	6000 mm	3.96 kg
SP2061N	Clamp Profile 20 90°, compl.	cut	0.65 kg/m
SP2060N3000	Clamp Profile 20 90°, compl.	3000 mm	1.95 kg
SP2060N6000	Clamp Profile 20 90°, compl.	6000 mm	3.90 kg

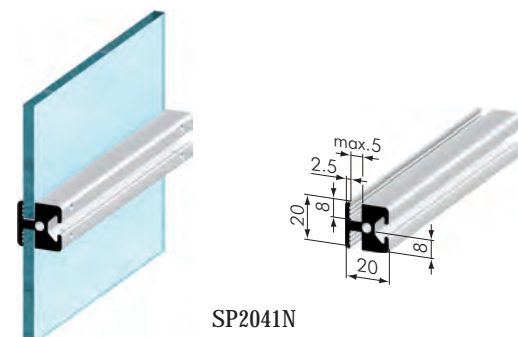
**Application:** Simple mounting of sheet elements and wire mesh (max. 5 mm) suitable for the construction of protective guards, doors, etc. The clamped surface material gives a highly rigid construction.

**Supply:**

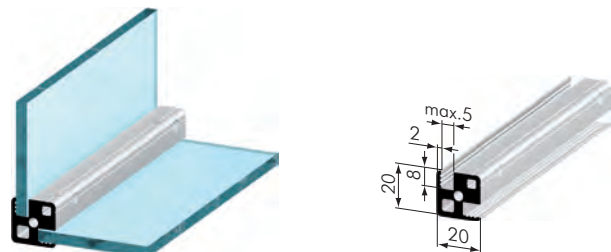
- clamp strip
- grub screws M5 x 12, DIN 913



SP2031N



SP2041N



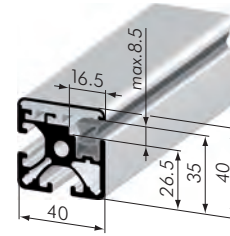
SP2061N

**Frame Profile 40**

Part No	Description	Length	Weight
SP7301N	Frame Profile 40, natural	cut	2.02 kg/m
SP7300N3000	Frame Profile 40, natural	3000 mm	6.06 kg
SP7300N6000	Frame Profile 40, natural	6000 mm	12.12 kg

**Application:** Simple mounting of sheet elements and wire mesh (max. 8.5 mm) suitable for the construction of protective guards, doors, etc. The clamped surface material provides high strength to the construction.

**Material:** aluminum, natural anodised

**40**


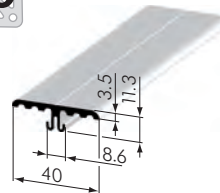
SP7301N

**Blend Profile 40**

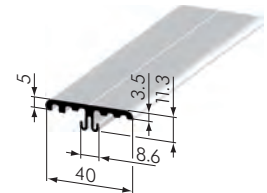
Part No	Description	Length	Weight
SP0581N	Blend Profile 40 / 2 90°, natural	cut	0.40 kg/m
SP0580N3000	Blend Profile 40 / 2 90°, natural	3000 mm	1.20 kg
SP0580N6000	Blend Profile 40 / 2 90°, natural	6000 mm	2.40 kg
SP0571N	Blend Profile 40 / 2 180°, natural	cut	0.37 kg/m
SP0570N3000	Blend Profile 40 / 2 180°, natural	3000 mm	1.11 kg
SP0570N6000	Blend Profile 40 / 2 180°, natural	6000 mm	2.22 kg
SP0361N	Blend Profile 40 / 2 90°, natural	cut	0.79 kg/m
SP0360N3000	Blend Profile 40 / 2 90°, natural	3000 mm	2.37 kg
SP0360N6000	Blend Profile 40 / 2 90°, natural	6000 mm	4.74 kg
SP0521N	Blend Profile 40 / 6 90°, natural	cut	0.53 kg/m
SP0520N3000	Blend Profile 40 / 6 90°, natural	3000 mm	1.59 kg
SP0520N6000	Blend Profile 40 / 6 90°, natural	6000 mm	3.18 kg
SP0511N	Blend Profile 40 / 6 180°, natural	cut	0.43 kg/m
SP0510N3000	Blend Profile 40 / 6 180°, natural	3000 mm	1.29 kg
SP0510N6000	Blend Profile 40 / 6 180°, natural	6000 mm	2.58 kg

**Application:** To fix panels (2 mm or 6 mm).

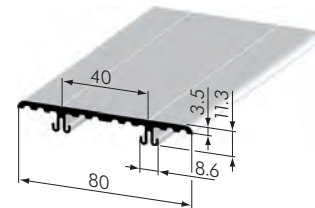
**Material:** aluminum, natural anodised

**40**


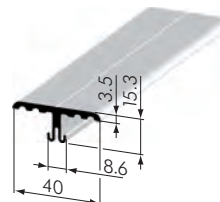
SP0571N



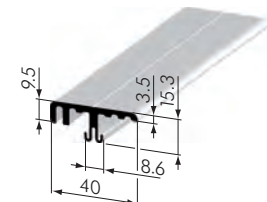
SP0581N



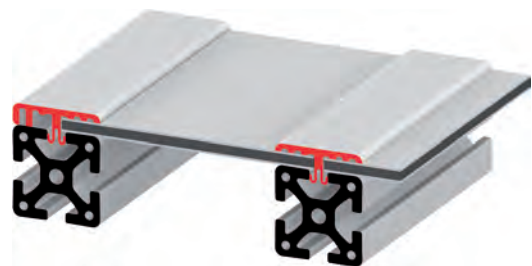
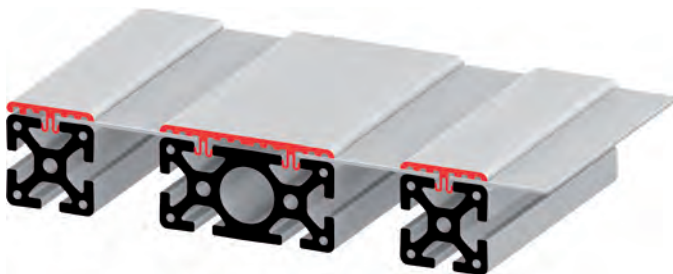
SP0361N



SP0511N



SP0521N





SZ1680H



SZ1685H

Beech Plywood		
Part No	Description	Weight
SZ1680H	Beech Plywood 8	5.9 kg/m <sup>2</sup>
SZ1685H	Beech Plywood 30	22.1 kg/m <sup>2</sup>

**Application:** Suitable for workshops and laboratory benches. Clear coated on both sides.

maximum size: 2500 mm x 1500 mm

**Material:** beech



SZ1602K



SZ1602R



SZ1603K



SZ1603R



SZ1604K



SZ1604R



SZ1605K



SZ1605R

Polycarbonate		
Part No	Description	Weight
SZ1602K	Polycarbonate 4 mm, clear	4.8 kg/m <sup>2</sup>
SZ1602R	Polycarbonate 4 mm, smoked	4.8 kg/m <sup>2</sup>
SZ1603K	Polycarbonate 5 mm, clear	6.0 kg/m <sup>2</sup>
SZ1603R	Polycarbonate 5 mm, smoked	6.0 kg/m <sup>2</sup>
SZ1604K	Polycarbonate 6 mm, clear	7.2 kg/m <sup>2</sup>
SZ1604R	Polycarbonate 6 mm, smoked	7.2 kg/m <sup>2</sup>
SZ1605K	Polycarbonate 8 mm, clear	9.6 kg/m <sup>2</sup>
SZ1605R	Polycarbonate 8 mm, smoked	9.6 kg/m <sup>2</sup>

**Application:** Sheet materials for protective walls and separator applications.

maximum size: 3050 mm x 2050 mm

**Material:** Makrolon

**Accessories:**

- SZ1901S sealing rubber 40 4 mm
- SZ1900S sealing rubber 40 6 mm
- SZ1510S fixing block 40 Vario

- SZ1903S sealing rubber 30 4 mm
- SZ1902S sealing rubber 30 6 mm
- SZ1540S fixing block 30 Vario



Plexiglass		
Part No	Description	Weight
SZ1622K	Plexiglass 4 mm, clear	4.8 kg/m <sup>2</sup>
SZ1623K	Plexiglass 5 mm, clear	6.0 kg/m <sup>2</sup>

**Application:** Sheet materials for protective walls and separator applications.

maximum size: 3050 mm x 2050 mm



SZ1622K



SZ1623K

Plexiglass		
Part No	Description	Weight
SZ1622R	Plexiglass 4 mm, smoked	4.8 kg/m <sup>2</sup>
SZ1623R	Plexiglass 5 mm, smoked	6.0 kg/m <sup>2</sup>
SZ1624K	Plexiglass 6 mm, clear	7.2 kg/m <sup>2</sup>
SZ1624R	Plexiglass 6 mm, smoked	7.2 kg/m <sup>2</sup>
SZ1625K	Plexiglass 8 mm, clear	9.6 kg/m <sup>2</sup>
SZ1625R	Plexiglass 8 mm, smoked	9.6 kg/m <sup>2</sup>

**Application:** Sheet materials for protective walls and separator applications.

maximum size: 3050 mm x 2050 mm

**Material:** Plexiglass

- Accessories:**
- SZ1901S sealing rubber 40 4 mm
  - SZ1900S sealing rubber 40 6 mm
  - SZ1510S fixing block 40 Vario
  - SZ1903S sealing rubber 30 4 mm
  - SZ1902S sealing rubber 30 6 mm
  - SZ1540S fixing block 30 Vario



SZ1622R



SZ1623R



SZ1624K



SZ1624R



SZ1625K



SZ1625R

Aluminum Laminated Material (Alucobond®)		
Part No	Description	Weight
SZ1650N	Aluminum Laminated Material 4 mm	5.49 kg/m <sup>2</sup>
SZ1651N	Aluminum Laminated Material 6 mm	7.29 kg/m <sup>2</sup>

**Application:** Suitable for workshops and laboratory benches. These surface elements comprise of two anodized aluminum cover plates that are permanently bonded by a polyethylene plate.

maximum size: 3000 mm x 1500 mm

**Material:** Alucobond® (aluminum laminated material)

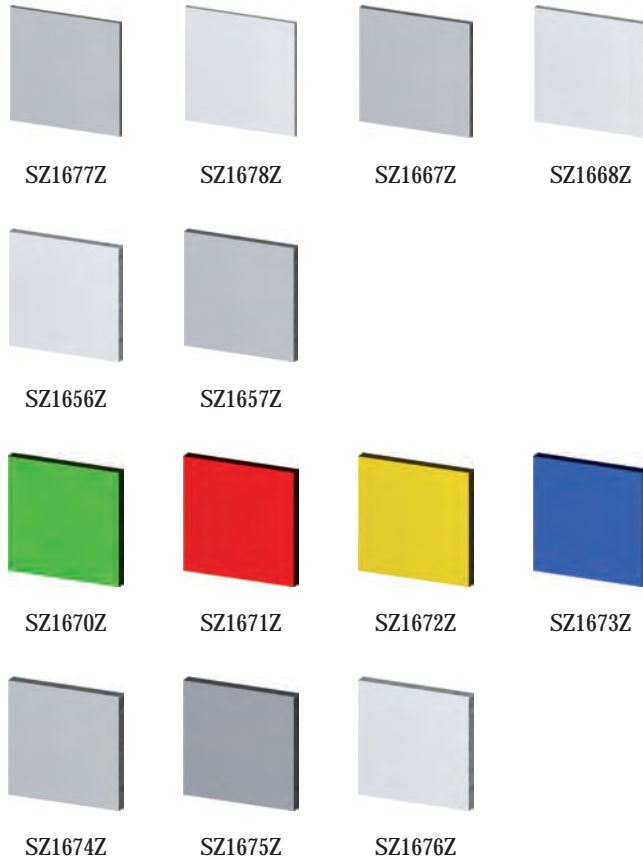
- Accessories:**
- SZ1901S sealing rubber 40 4 mm
  - SZ1900S sealing rubber 40 6 mm
  - SZ1510S fixing block 40 Vario
  - SZ1903S sealing rubber 30 4 mm
  - SZ1902S sealing rubber 30 6 mm
  - SZ1540S fixing block 30 Vario



SZ1650N



SZ1651N



Cellulose		
Part No	Description	Weight
SZ1677Z	Cellulose 4 mm, light grey	5.8 kg/m <sup>2</sup>
SZ1678Z	Cellulose 4 mm, white	5.8 kg/m <sup>2</sup>
SZ1667Z	Cellulose 6 mm, light grey	8.8 kg/m <sup>2</sup>
SZ1668Z	Cellulose 6 mm, white	8.8 kg/m <sup>2</sup>
SZ1656Z	Cellulose 8 mm, white	11.6 kg/m <sup>2</sup>
SZ1657Z	Cellulose 8 mm, light grey	11.6 kg/m <sup>2</sup>
SZ1670Z	Cellulose 10 mm, green	14.6 kg/m <sup>2</sup>
SZ1671Z	Cellulose 10 mm, red	14.6 kg/m <sup>2</sup>
SZ1672Z	Cellulose 10 mm, yellow	14.6 kg/m <sup>2</sup>
SZ1673Z	Cellulose 10 mm, blue	14.6 kg/m <sup>2</sup>
SZ1674Z	Cellulose 10 mm, light grey	14.6 kg/m <sup>2</sup>
SZ1675Z	Cellulose 10 mm, grey	14.6 kg/m <sup>2</sup>
SZ1676Z	Cellulose 10 mm, white	14.6 kg/m <sup>2</sup>

**Application:** For highly stressed surfaces and panelling. Drilling and tapping in this material is possible. Resin bonded cellulose, hot pressed. Double sided surface coating. Further gauges and colours on request.

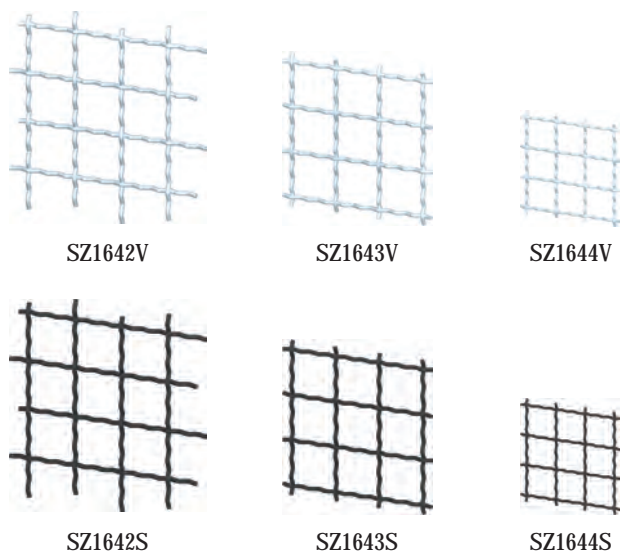
maximum size: 2750 mm x 2020 mm

**Material:** cellulose

**Accessories:** • SZ1901S sealing rubber 40 4 mm  
• SZ1900S sealing rubber 40 6 mm  
• SZ1510S fixing block 40 Vario

• SZ1903S sealing rubber 30 4 mm  
• SZ1902S sealing rubber 30 6 mm  
• SZ1540S fixing block 30 Vario

- white similar to RAL 9016
- light grey similar to RAL 7030
- grey similar to RAL 7035
- green similar to RAL 6011
- red similar to RAL 3000
- yellow similar to RAL 1034
- blue similar to RAL 5024



Mesh Steel		
Part No	Description	Weight
SZ1642V	Mesh 4 x 40 Steel, natural	4.23 kg/m <sup>2</sup>
SZ1642S	Mesh 4 x 40 Steel, black	4.23 kg/m <sup>2</sup>
SZ1643V	Mesh 3 x 30 Steel, natural	3.78 kg/m <sup>2</sup>
SZ1643S	Mesh 3 x 30 Steel, black	3.78 kg/m <sup>2</sup>
SZ1644V	Mesh 2 x 20 Steel, natural	2.15 kg/m <sup>2</sup>
SZ1644S	Mesh 2 x 20 Steel, black	2.15 kg/m <sup>2</sup>

**Application:** Sheet materials for protective walls and separator applications.

maximum size: 3000 mm x 2000 mm

**Material:** steel, natural or black

**Accessories:** • mesh profiles 40  
• clamp profiles 30 complete  
• clamp profiles 20 complete

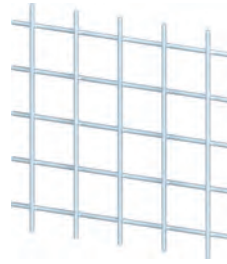
**Weld Meshes**

Part N <sup>o</sup>	Description	Weight
SZ1645V	Weld Mesh 4 x 40, zinc-plated	
SZ1645S	Weld Mesh 4 x 40, black	

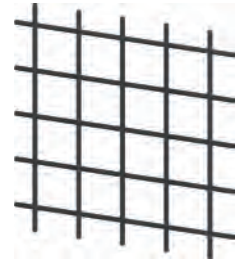
**Application:** Welded wire mesh used for doors, protective walls, and partitions.

maximum size: 3000 mm x 1500 mm

**Material:** steel, zinc-plated



SZ1645V



SZ1645S

**Aluminum Sheets**

Part N <sup>o</sup>	Description	Weight
SZ1660G	Aluminum Sheet 2 mm	5.4 kg/m <sup>2</sup>
SZ1662G	Aluminum Sheet 4 mm	10.8 kg/m <sup>2</sup>

**Application:** The panel can be supplied in a variety of colours. The colour must be advised at time of order.

maximum size: SZ1660G: 3000 mm x 1500 mm

SZ1662G: 2500 mm x 1250 mm

**Material:** aluminum, natural anodised

**Accessories:**

- SZ1901S sealing rubber 40 4 mm
- SZ1510S fixing block 40 Vario

- SZ1903S sealing rubber 30 4 mm
- SZ1540S fixing block 30 Vario



SZ1660G



SZ1662G

**Aluminum Checker Plate**

Part N <sup>o</sup>	Description	Weight
SZ1664G	Aluminum Checker Plate 2.5 x 4.0 mm	8.2 kg/m <sup>2</sup>

**Application:** Sheet material for protective walls and separator applications.

maximum size: 2500 mm x 1250 mm

**Material:** aluminum, blank (not degreased)



SZ1664G

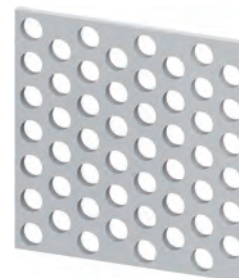
**Perforated Plate, Al**

Part N <sup>o</sup>	Description	Weight
SZ1666G	Perforated Plate, Al, 3 mm	5.5 kg/m <sup>2</sup>

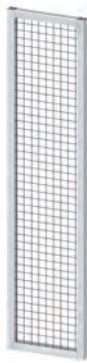
**Application:** Available from stock with 10 mm perforation in staggered rows. Distance to next hole / to next row: 15 mm

maximum size: 2500 mm x 1250 mm

**Material:** aluminum, blank (not degreased)



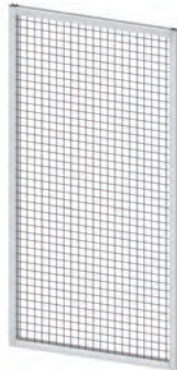
SZ1666G



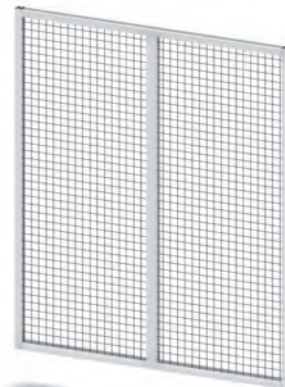
Protection Panel 500



Protection Panel 750



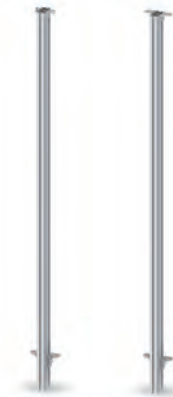
Protection Panel 1000



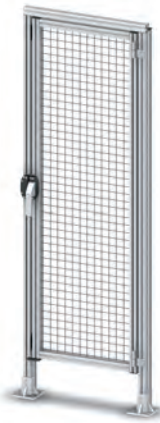
Protection Panel 1500



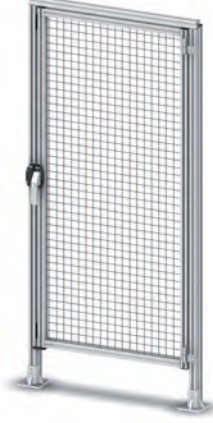
Support Legs 40 x 40 sl



Support Legs 40 x 80 sl



Door Kit 750



Door Kit 1000



Double Door Kit

- pre-assembled panels in standard sizes: 500, 750, 1000, 1500
- pre-assembled support legs
- compatible to the standard catalogue
- panel thickness: 7.8 mm

- doors and double doors with latching system
- slide doors with and without superstructure
- attachment of the frame elements to the support legs occurs via an adjustable holder and an adjustable angle



Sliding Door Kit, with superstructure



Sliding Door Kit, without superstructure



40



40 90°



40 180°

Mesh Guarding Profiles 40



40 x 40, left

40 x 40, right

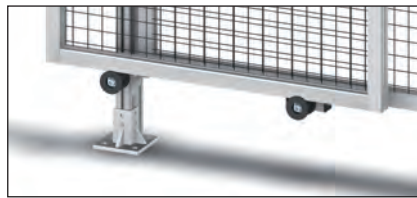
40 x 80, left

40 x 80, right

Door Latches



Stabilising Rollers



Protection Wall Lock



Metal Foot



Hinge 40 Al, natural



for double door

for single door

Catch Plate

Set Of Chute Bolts for doors

Protection Wall Latches



Angle 40 x 60



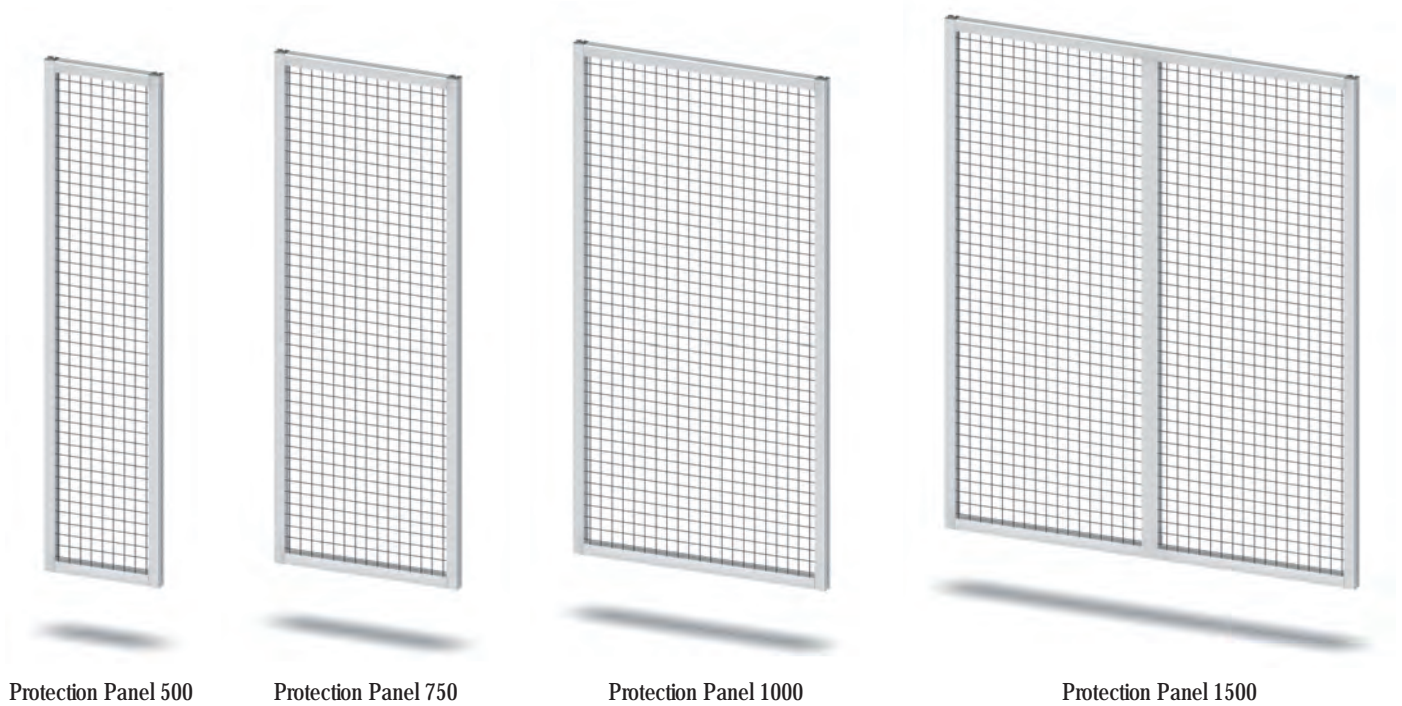
Angle 60 x 70



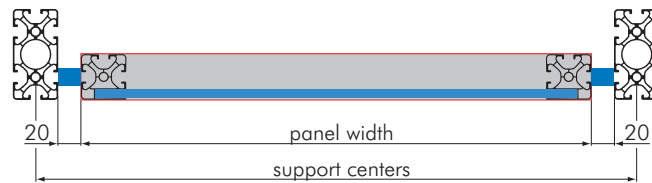
Bolt G-Type



Holder, adjustable



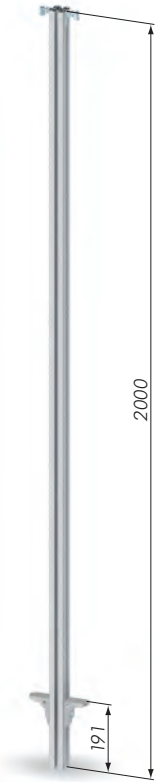
All panels are frontally tapped M8.



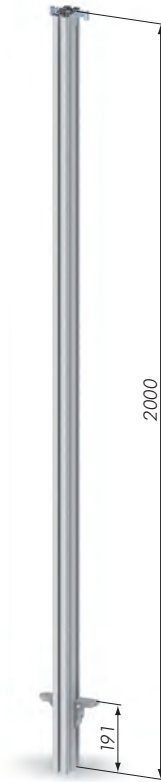
Protection Panels			
Part N°	Description	Panel Width	Panel Height
SZ8032N	Protection Panel 500	420 mm	1800 mm
SZ8033N	Protection Panel 750	670 mm	1800 mm
SZ8034N	Protection Panel 1000	920 mm	1800 mm
SZ8035N	Protection Panel 1500	1420 mm	1800 mm



- Supply:**
- complete protection panel consisting of:
    - 4x mesh profile 40 x 40
    - vertical mesh profiles are frontally tapped M8
    - 4x SV1301V central fastener 40 GC
    - 1x mesh 4 x 40 steel
    - 2x SZ8005N bolt type G



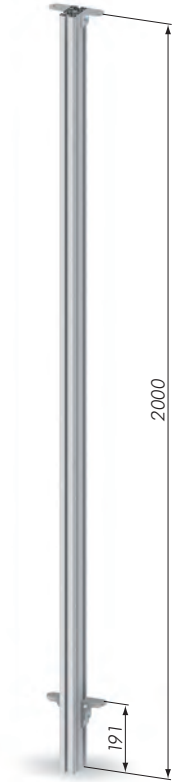
40 x 40 sl, with adjustable holder



40 x 80 sl, with adjustable holder



40 x 40 sl, with angle 40 x 60



40 x 80 sl, with angle 40 x 60


**Protection Panel Supports**

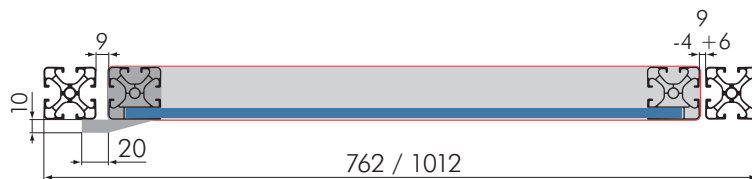
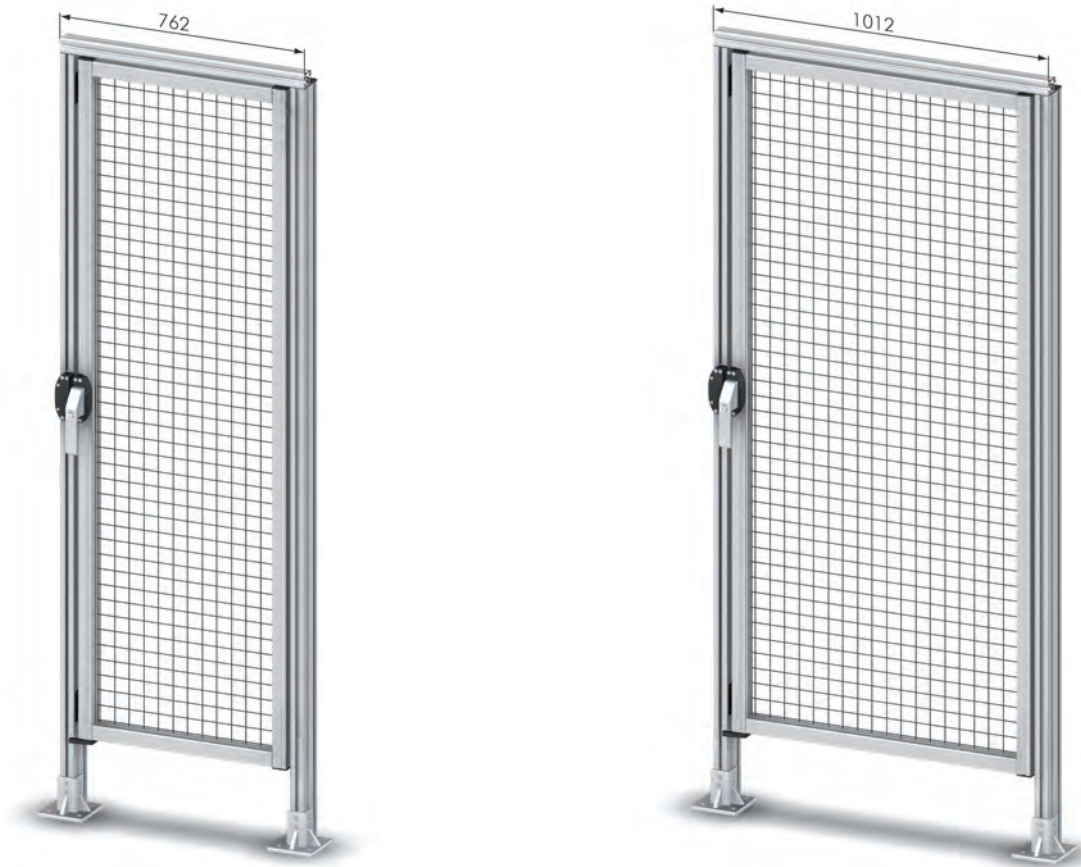
Part No	Description	Total Height
SZ8038N	Prot. Panel Support 40 x 40 sl, with adj. holder	2000 mm
SZ8039N	Prot. Panel Support 40 x 80 sl, with adj. holder	2000 mm
SZ8036N	Prot. Panel Support 40 x 40 sl, with angle 40 x 60	2000 mm
SZ8037N	Prot. Panel Support 40 x 80 sl, with angle 40 x 60	2000 mm

**Supply:**

- 1x profile 40 x 40 sl alternatively 40 x 80 sl
- 2x SZ8001N angle 60 x 70, complete with attachment screws
- 2x SZ8010V holder, adjustable via milled nuts, alternatively:
- 2x SZ8000N angle 40 x 60 with 1 attachment screw per angle



The attachment screw and the adjustable holder are supplied with a spring-loaded ball to give positive positioning in the t-slot.



Door Kits			
Part N°	Description	Width	Total Height
SZ8028N	Door Kit 750	670 mm	2000 mm
SZ8030N	Door Kit 1000	920 mm	2000 mm

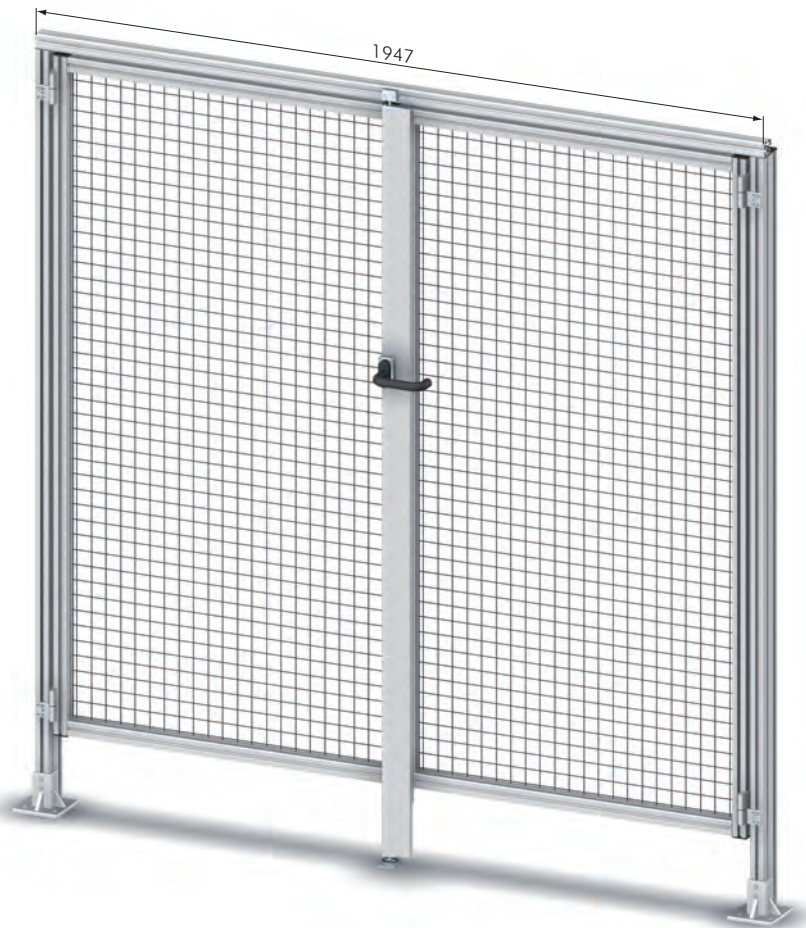
**Supply:**

- 1x profile 40 x 40 sl, L = 762 mm, for SZ8028N with two bore holes
- 1x profile 40 x 40 sl, L = 1012 mm, for SZ8030N with two bore holes
- 2x SZ8014N hinge, Al, with fasteners

**Not Included:**

- protection panels
- protection wall support profiles
- mounting feet
- protection wall or handle
- safety switch
- lower door stop
- upper door stop, round, alternatively top door-stop plate





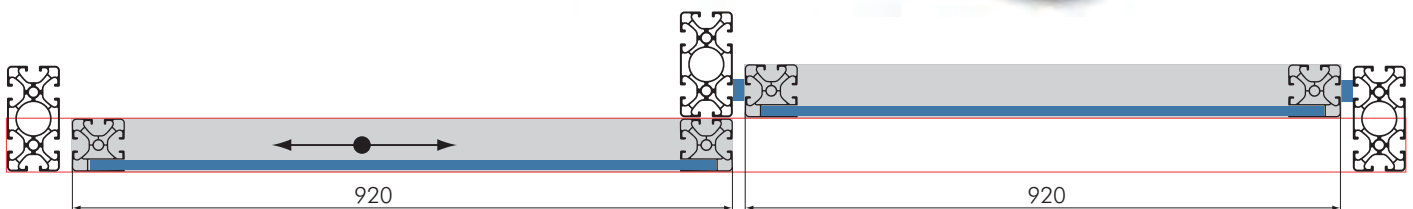
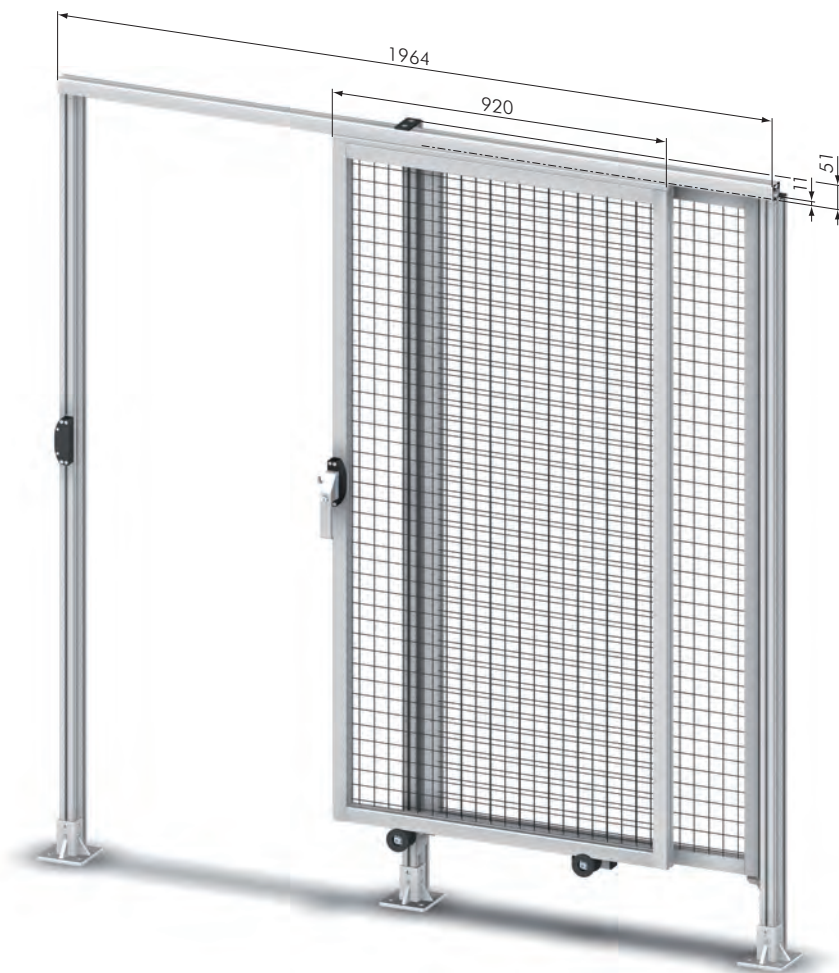
Double Door Kit		
Part No	Description	Total height
SZ8026N	Double Door Kit	2000 mm


**Supply:**

- 1x protection wall latch for double doors consisting of:
  - profile 16 x 80
  - double door locking
  - base plate
  - upper locking receiver
- 4x SZ8014N hinge, Al, with fasteners
- 1x profile 40 x 40 sl, L = 1947 mm, with two bore holes

**Not Included:**

- protection panels
- protection wall support profiles
- mounting feet
- safety interlock



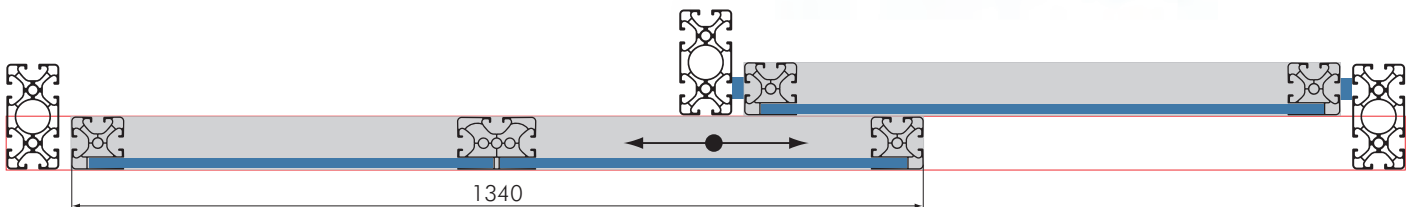
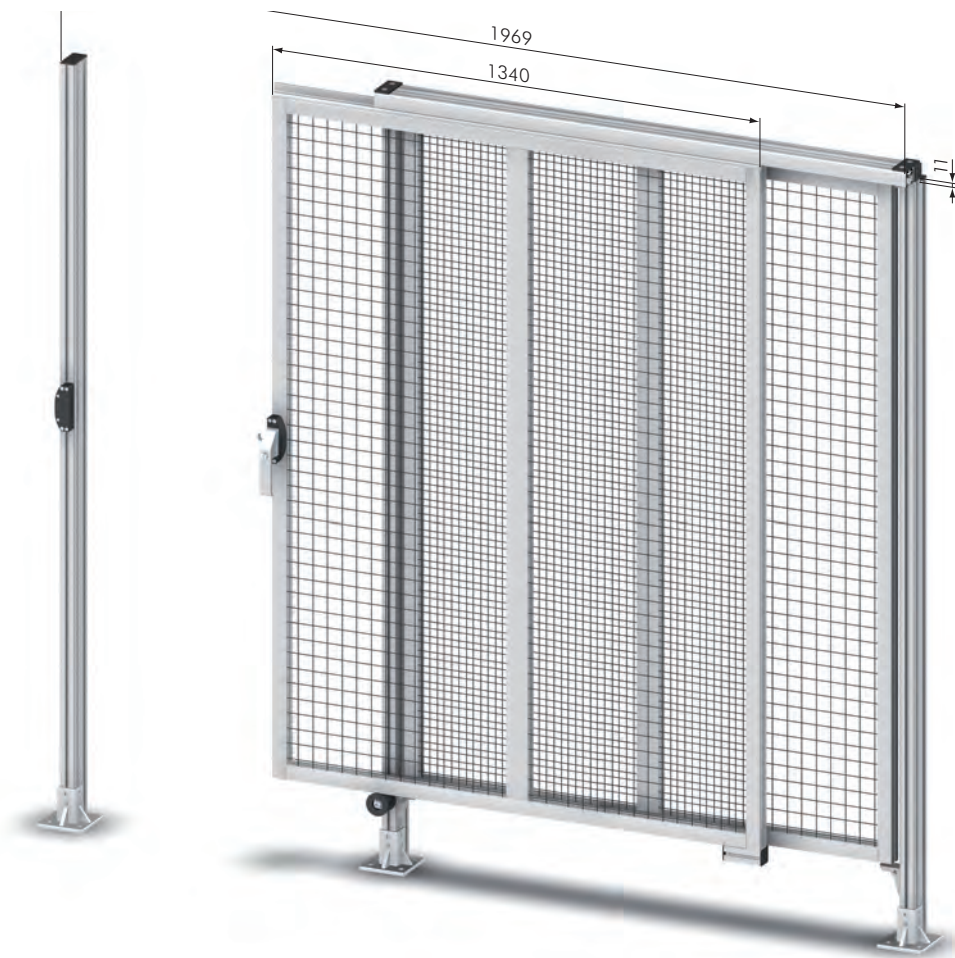
Sliding Door Kits		
Part No	Description	Total height
SZ8023N	Sliding Door Kit, with superstructure	2000 mm



**Supply:**

- 1x linear actuator C 40 x 57, L = 1964 mm, with carriage, L = 920 mm
- 2x SV1301V central fastener 40 GC to connect the carriage to the panel 1000
- 1x distance profile 40 x 40 sl, L = 51 mm, with screws and holding plate
- 2x distance profile 40 x 40 sl, L = 11 mm, with screws
- 2x SZ1910S rubber cover 32 x 4, L = 1815 mm,
- 1x SZ8044S stabilizing roller for supporting sliding doors to vertical profiles
- 1x SZ8045S stabilizing roller for supporting sliding doors at the lower horizontal profile

- Not Included:**
- protection panels
  - protection wall support profiles
  - mounting feet
  - protection wall lock
  - protection wall handle
  - safety interlock


**Sliding Door Kits**

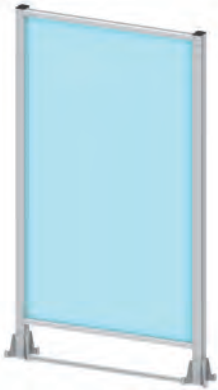
Part No	Description	Total Height
SZ8025N	Sliding Door Kit, without superstructure	2000 mm


**Supply:**

- 1x linear actuator C 40 x 57, L = 1969 mm, with carriage, L = 1340 mm
- 2x SV1301V central fastener 40 GC to connect the carriage to the panel 1000
- 1x distance profile 40 x 40 sl, L = 51 mm, with screws and holding plate
- 2x distance profile 40 x 40 sl, L = 11 mm, with screws
- 2x SZ1910S rubber cover 32 x 4 L = 1815 mm
- 1x SZ8044S stabilizing roller for supporting sliding doors to vertical profiles
- 1x SZ8045S stabilizing roller for supporting sliding doors at the lower horizontal profile

**Not Included:**

- protection panels
- protection wall support profiles
- mounting feet
- protection wall lock
- protection wall handle
- safety interlock



Frame Element 60 x 80



Frame Element 60 x 80 5N



Frame Element 80 x 80



Double Frame Element 60 x 80



Internal Element 60 x 80 3N



Door Element 60 x 80



Door Element 60 x 80 5N



Door Element 80 x 80



40/4



40/4 8.6



40/4 semi



40/4 8.6 semi



Hinge 40 Al, natural



Locking Mechanisms



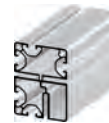
40/4 180°



60 x 80



60 x 80



60 x 80 5N



80 x 80



Stabilizing Rollers

- for 4 mm panels
- preassembled frames in standard sizes with differing number of t-slots (3/5/6)
- preassembled support legs
- compatible to the standard program
- lockable single doors and double doors
- smooth, clean surfaces
- various applications



Door Stops



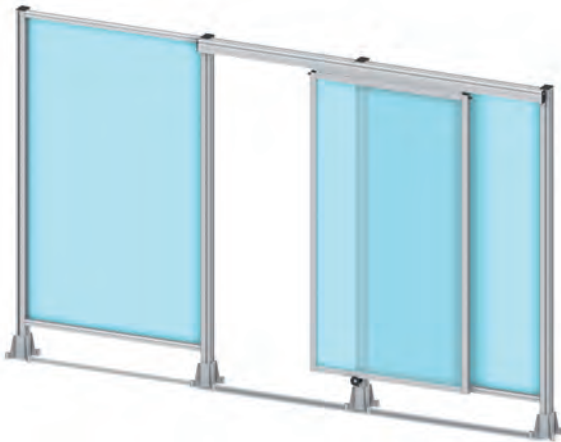
Double Door Element 60 x 80



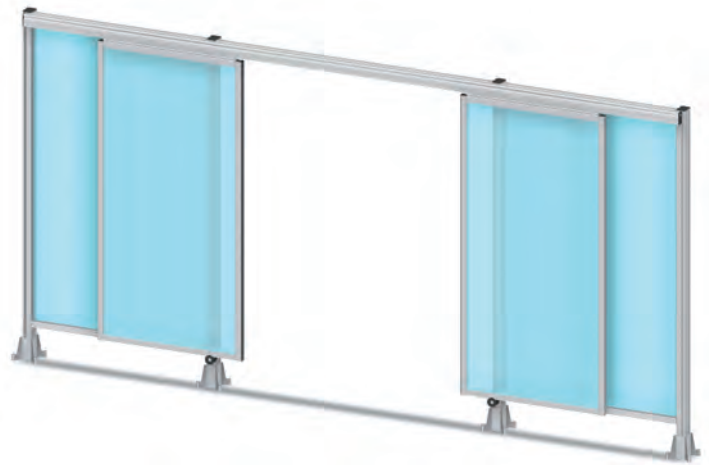
Double Door Element 60 x 80 5N



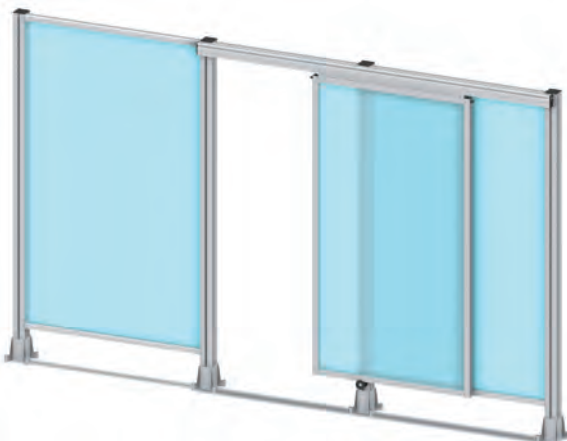
Double Door Element 80 x 80



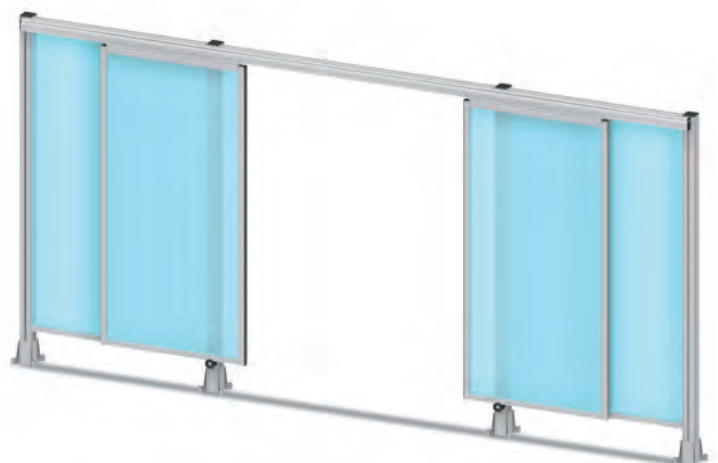
Sliding Door Element 60 x 80



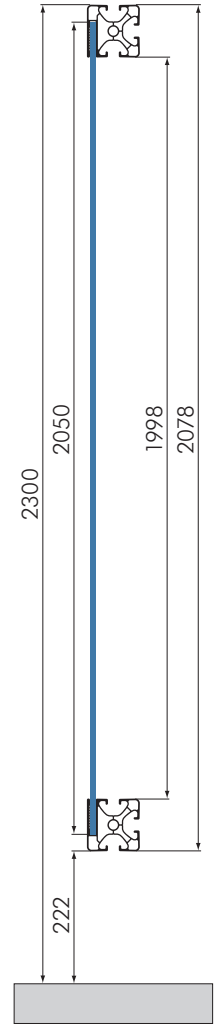
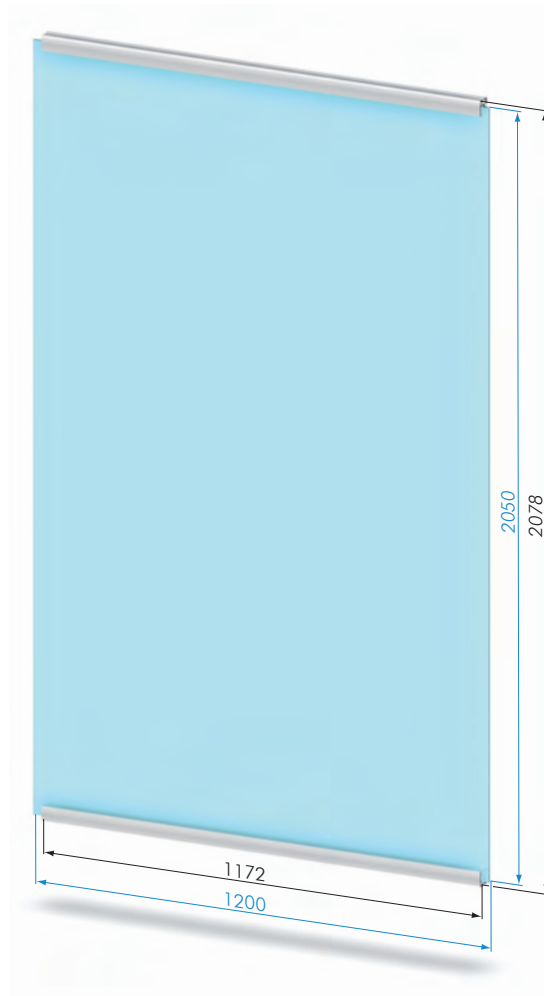
Double Sliding Door Element 60 x 80



Sliding Door Element 80 x 80

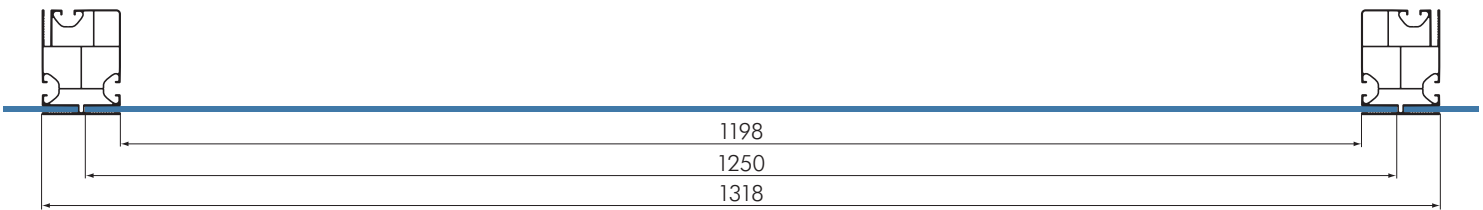
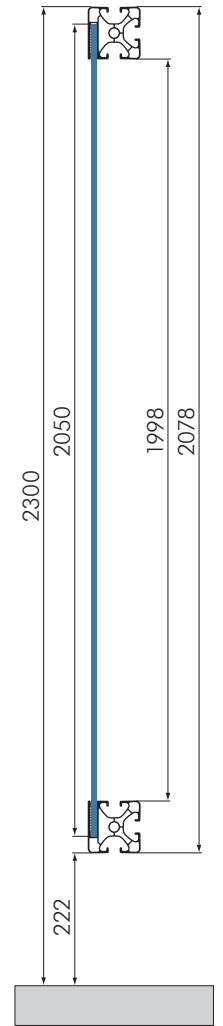
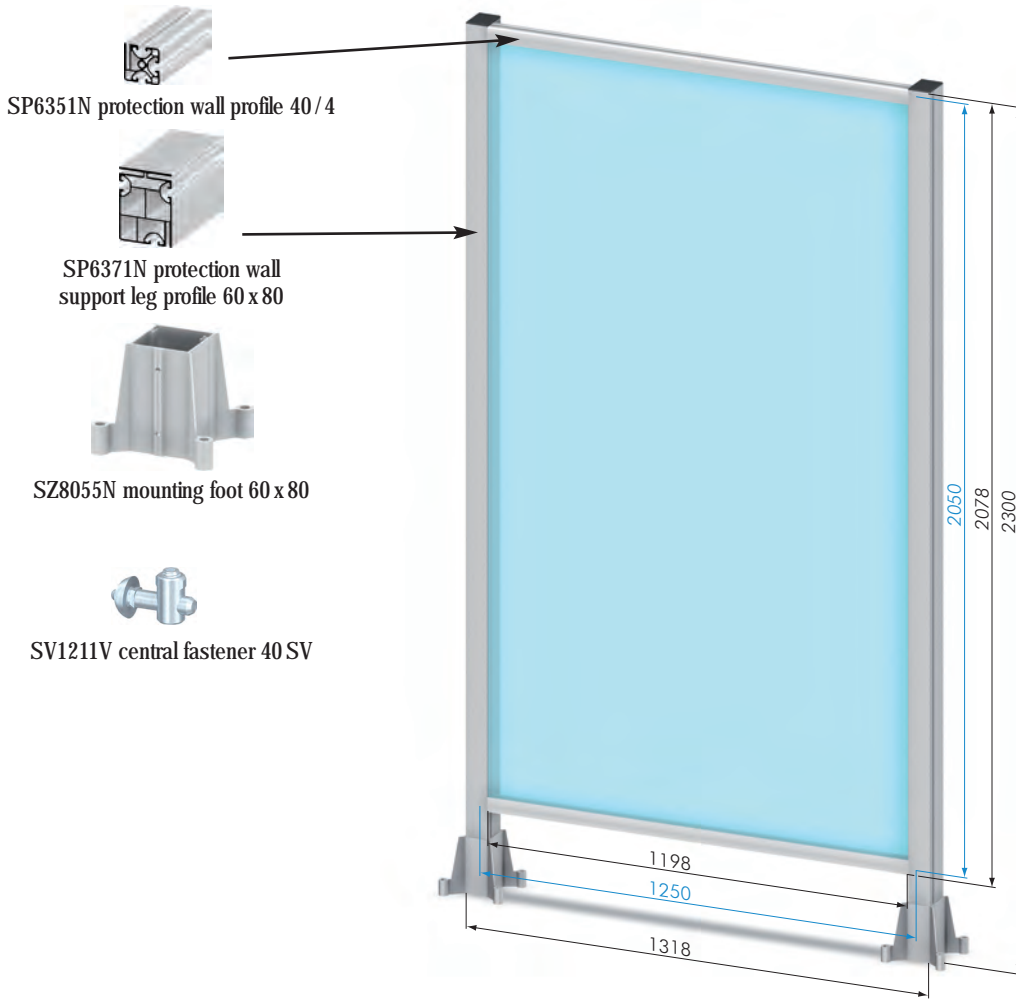


Double Sliding Door Element 80 x 80



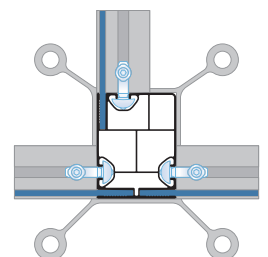
Internal Elements		
Part N°	Description	Total height
SZ8130N	Internal Element	2300 mm

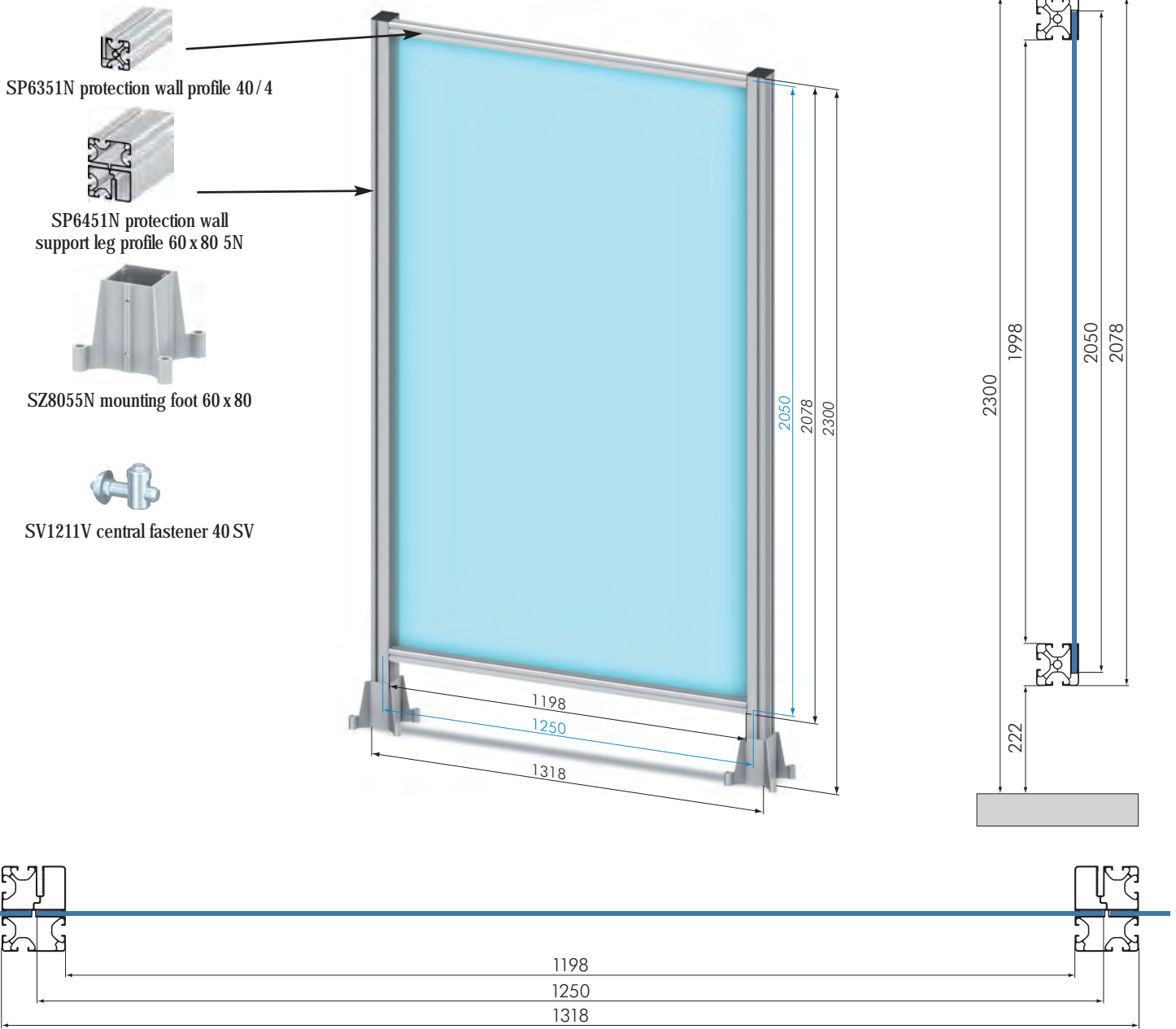
40



Frame Elements		
Part No	Description	Total height
SZ8100N	Frame Element 60 x 80	2300 mm

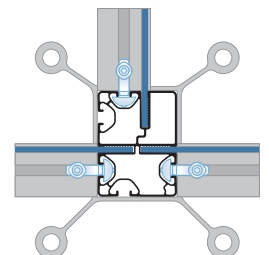
40



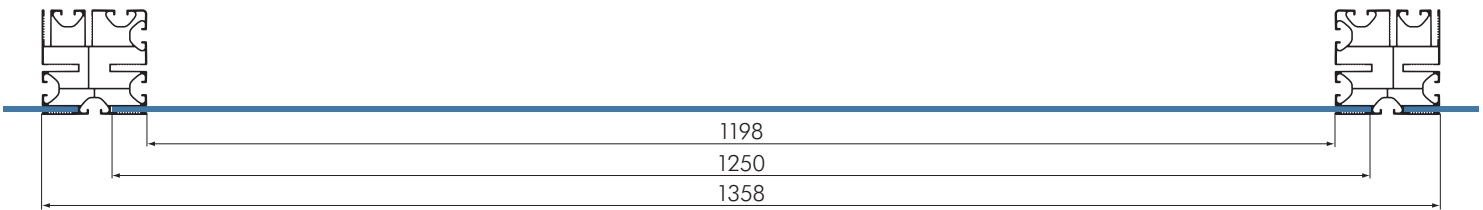
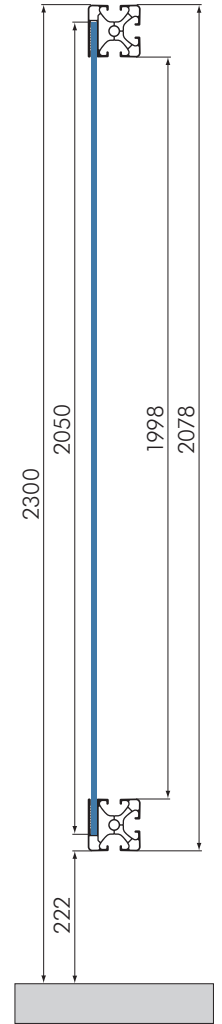
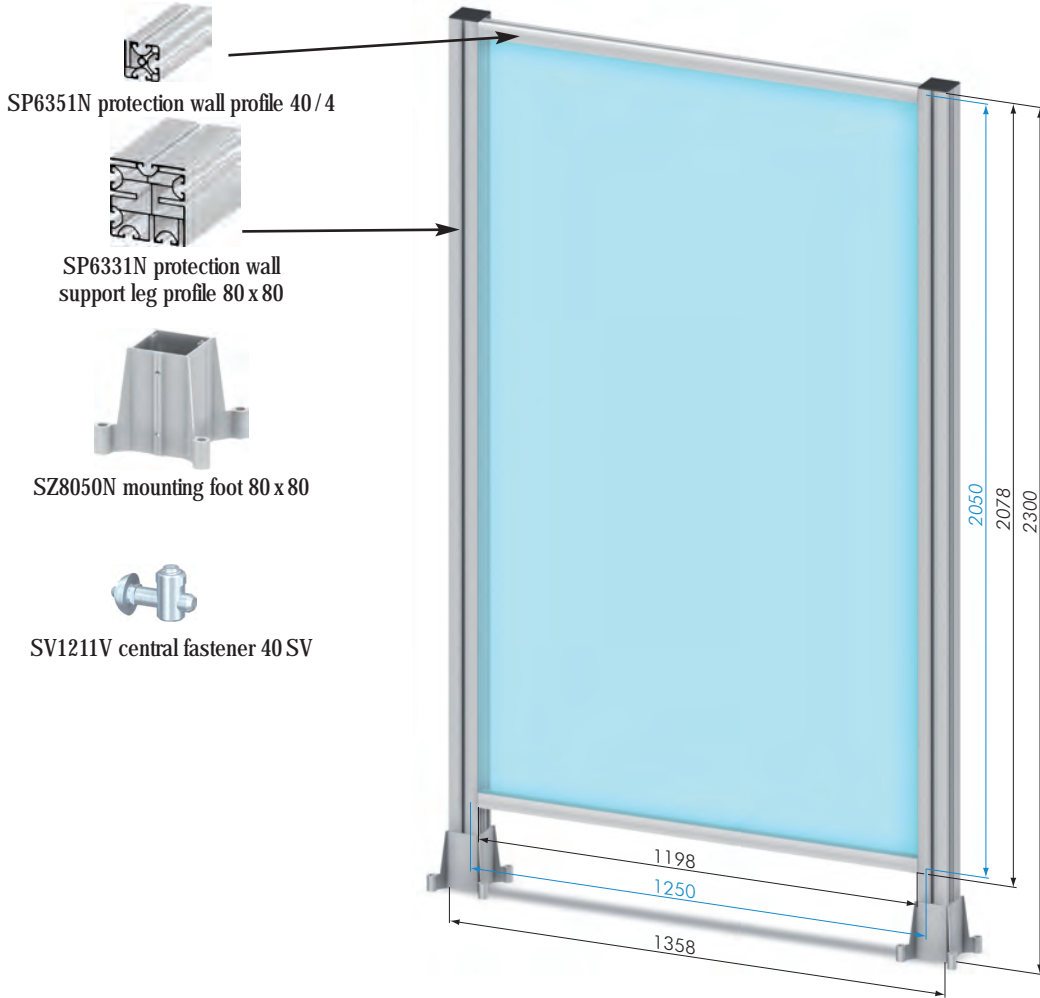


Frame Elements		
Part No	Description	Total height
SZ8102N	Frame Element 60 x 80 5N	2300 mm

40

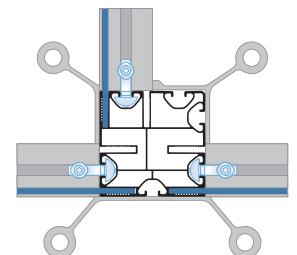


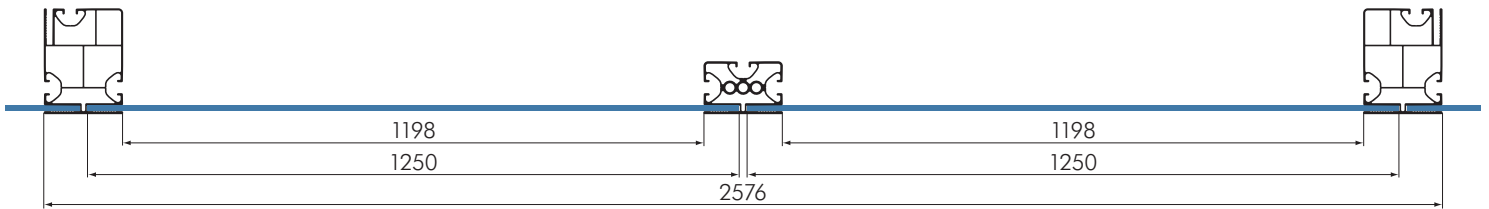
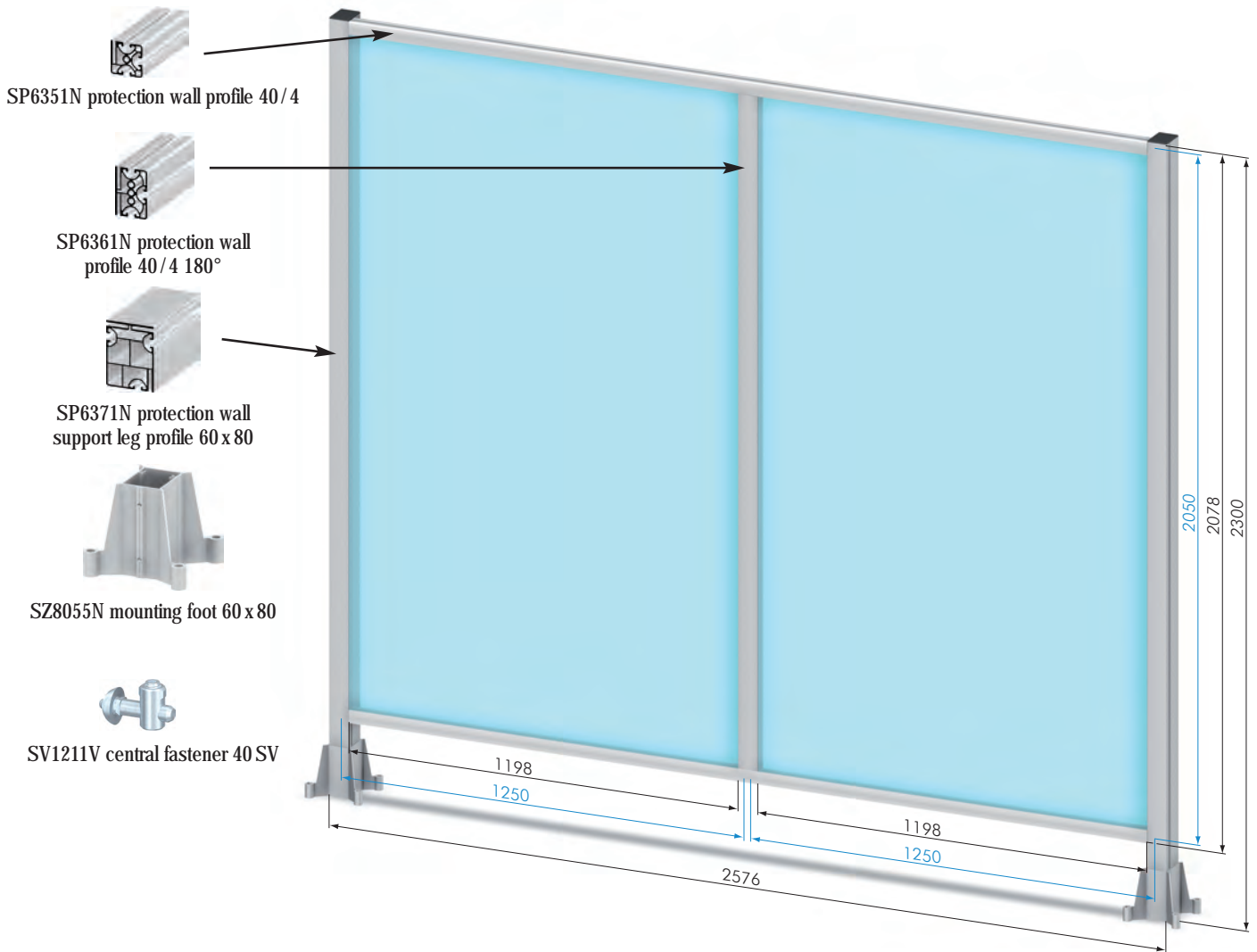




Frame Elements		
Part No	Description	Total height
SZ8101N	Frame Element 80 x 80	2300 mm

40

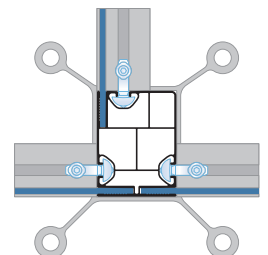


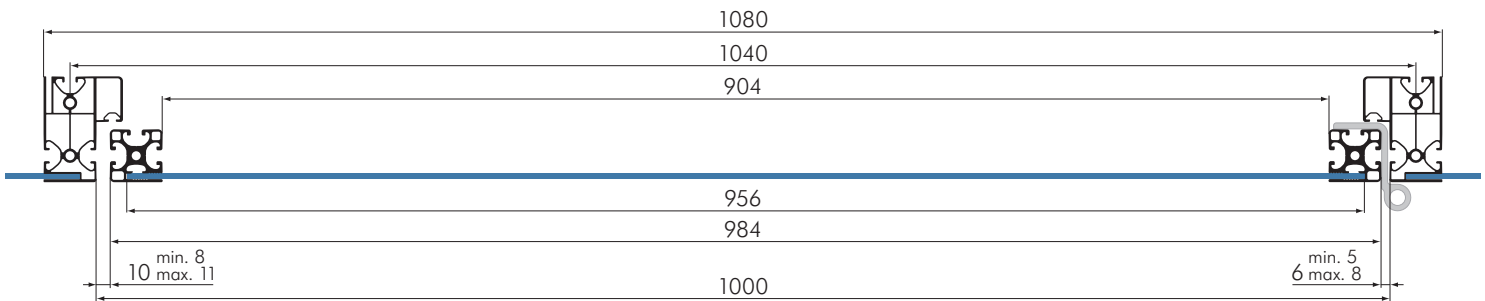
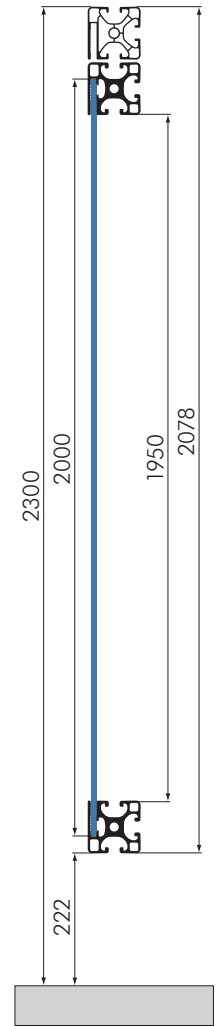
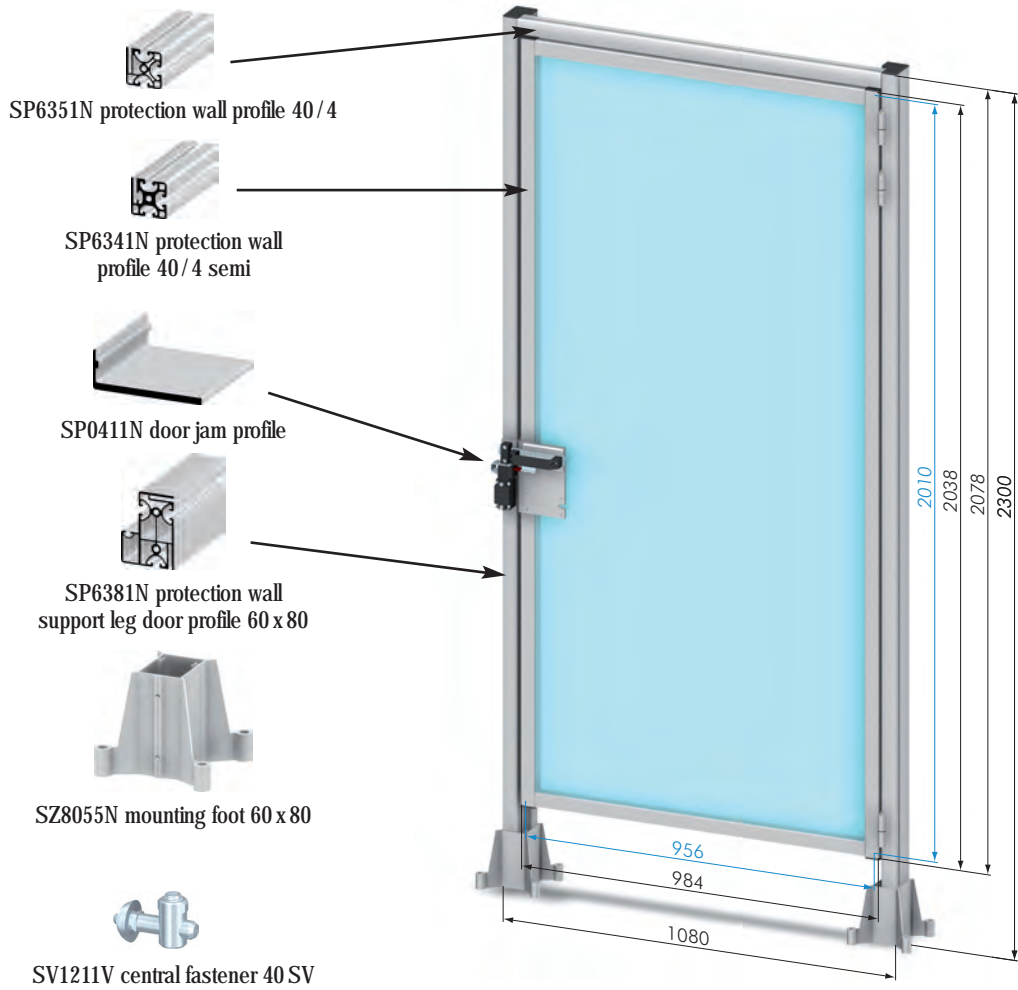


**Double Frame Elements**

Part No	Description	Total height
SZ8125N	Double Frame Element 60 x 80	2300 mm

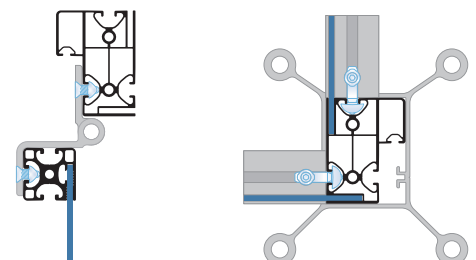
**40**

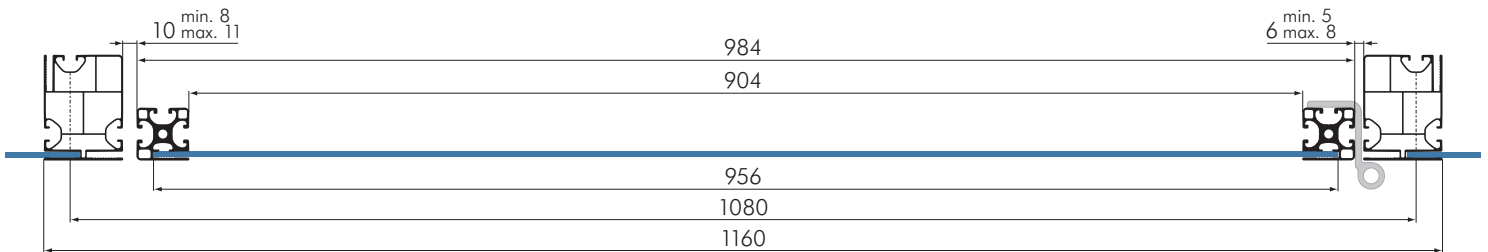
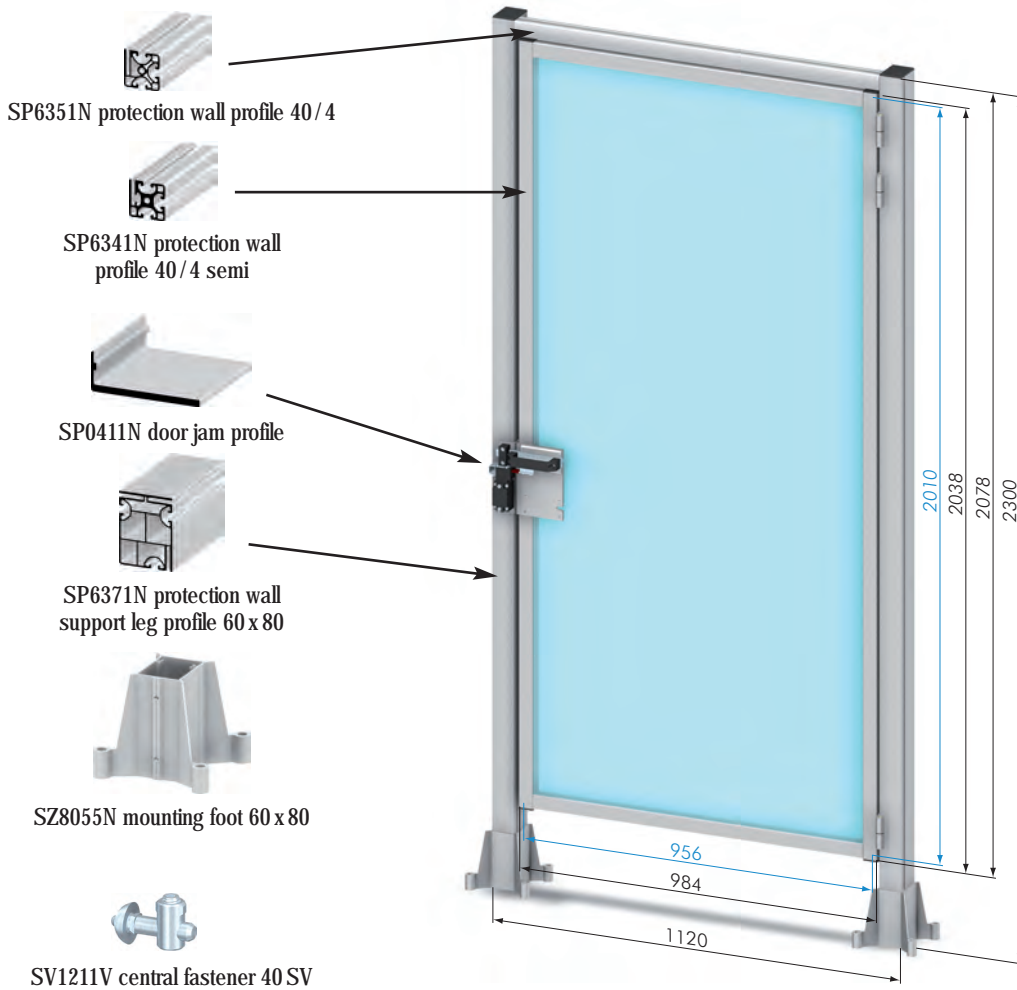




Door Elements		
Part No	Description	Total height
SZ8110N	Door Element 60 x 80	2300 mm

40

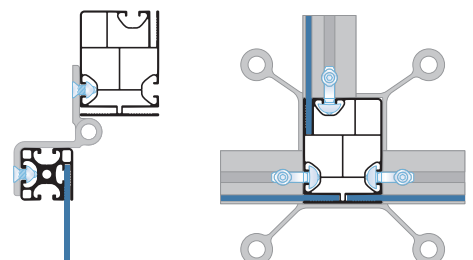


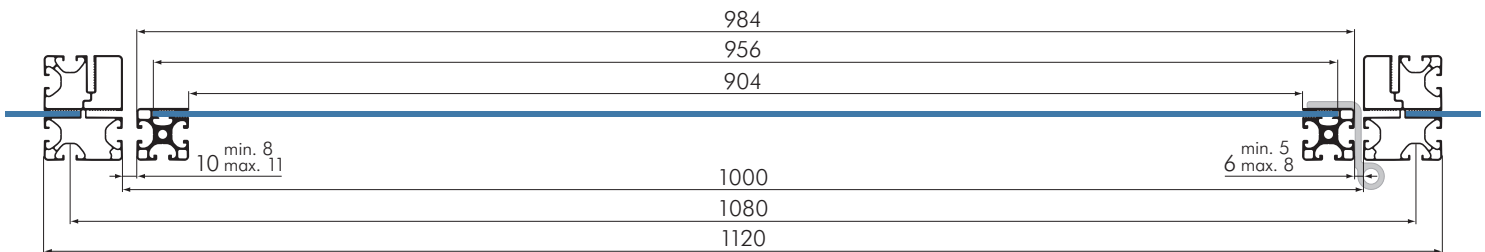
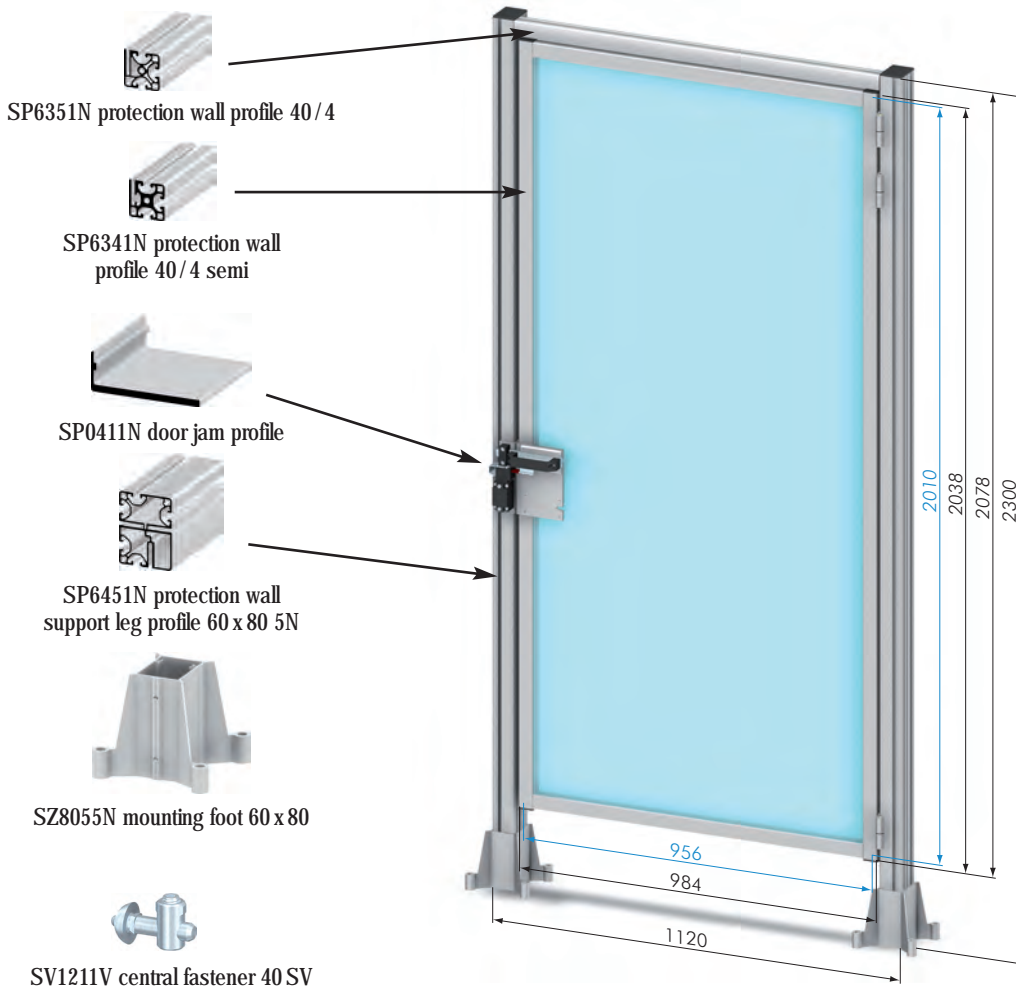


**Door Elements**

Part No	Description	Total height
SZ8112N	Door Element 60 x 80	2300 mm

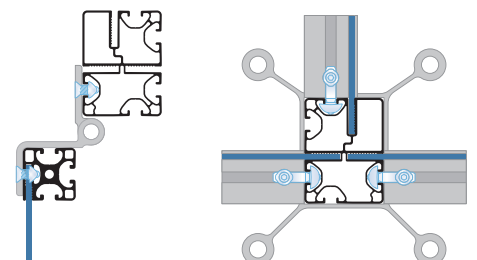
**40**

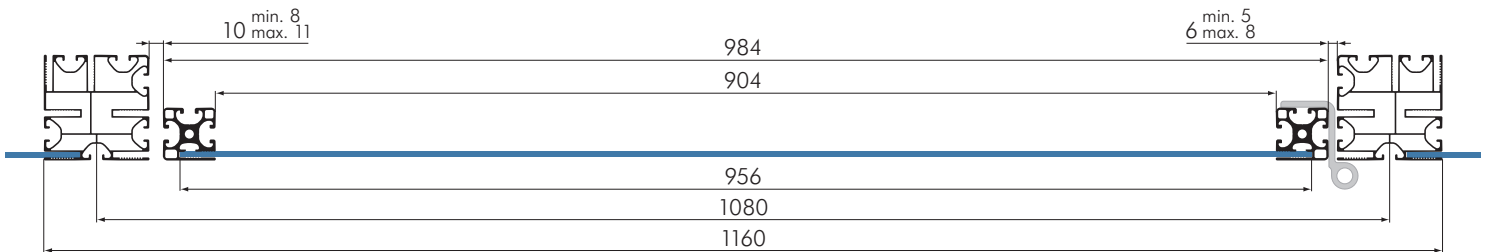
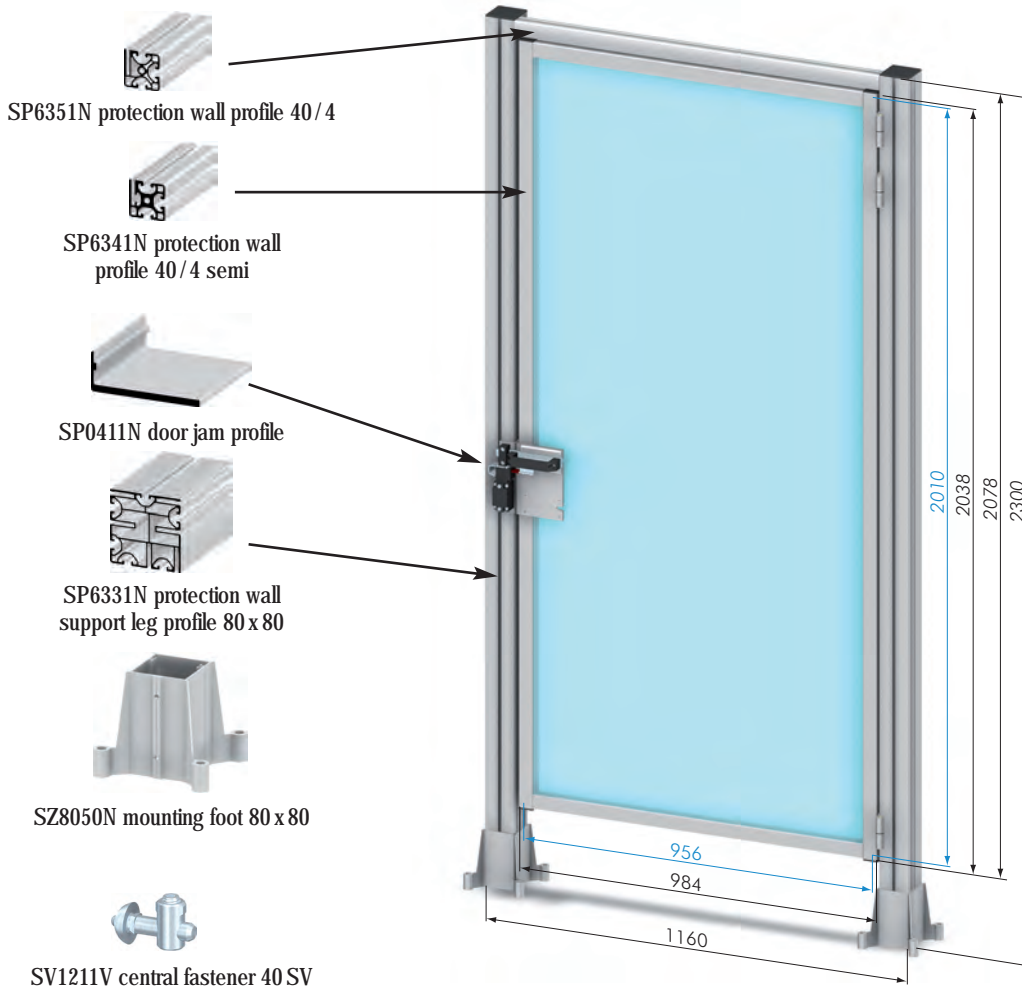




Door Elements		
Part No	Description	Total height
SZ8113N	Door Element 60x80 5N	2300 mm

40

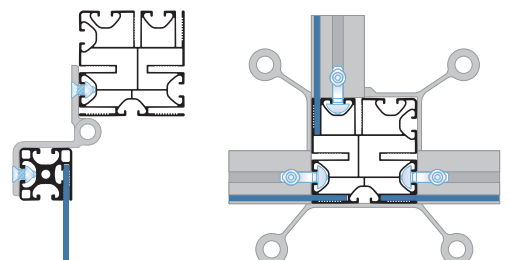


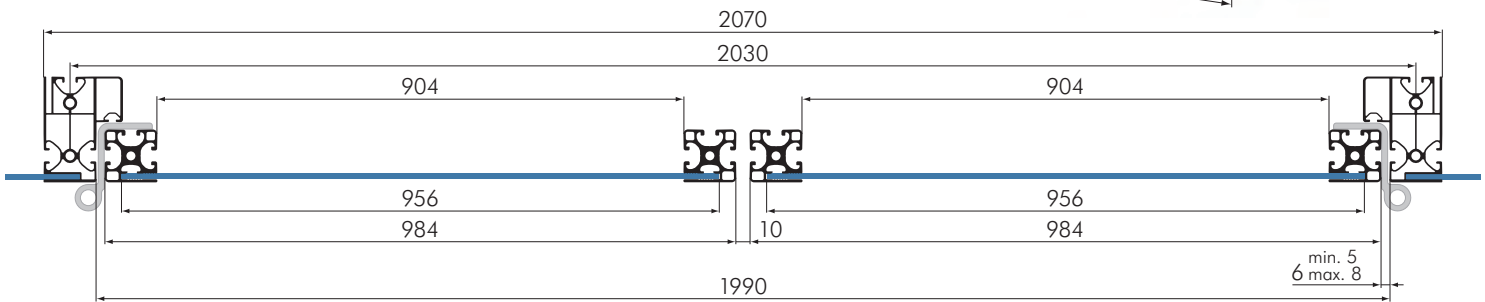
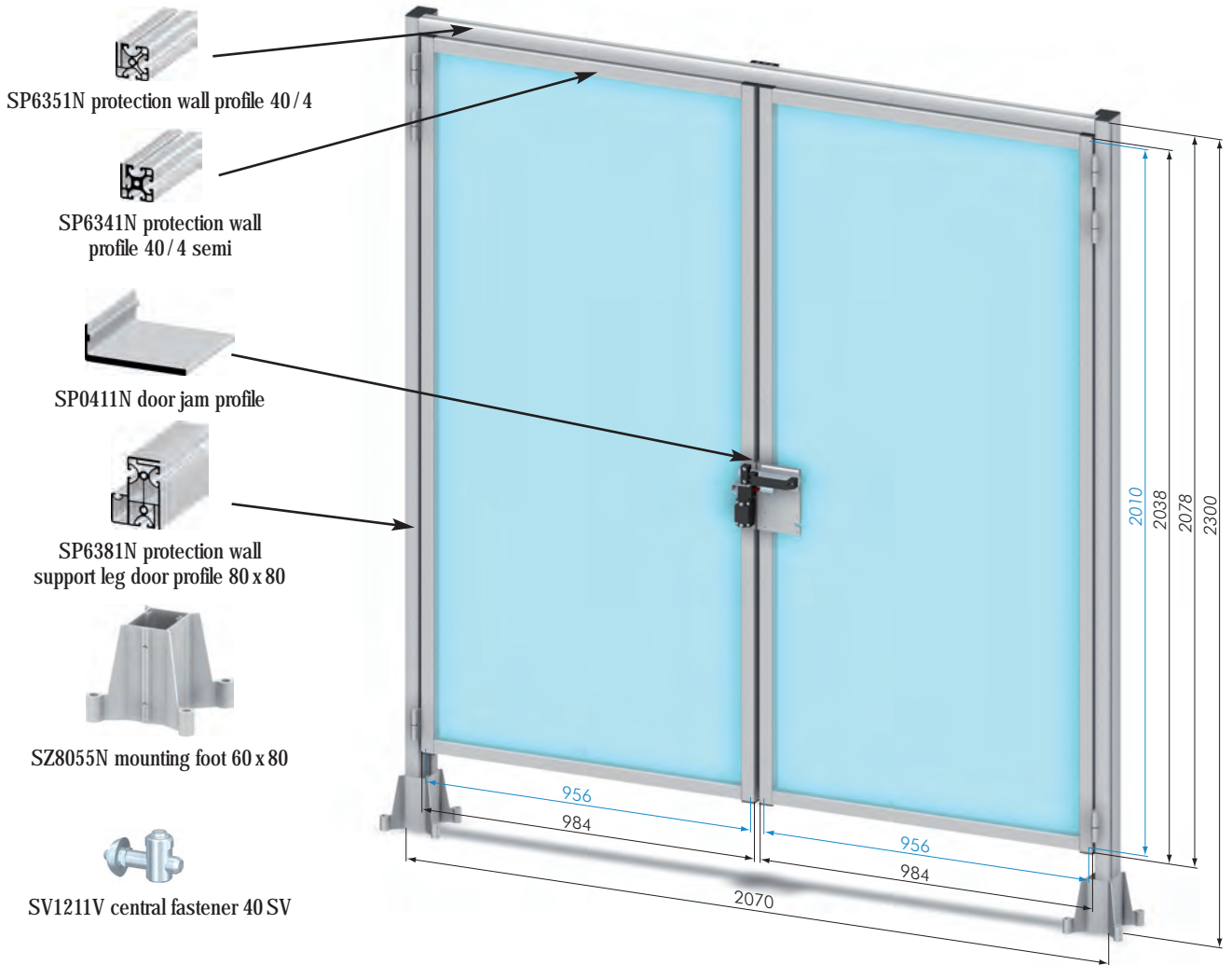


**Door Elements**

Part No	Description	Total height
SZ8111N	Door Element 80 x 80	2300 mm

**40**

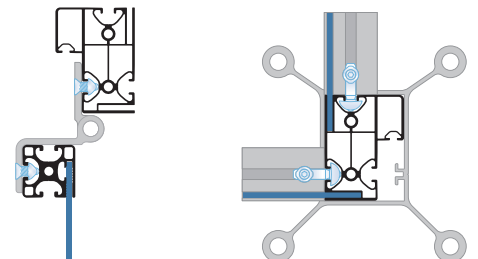


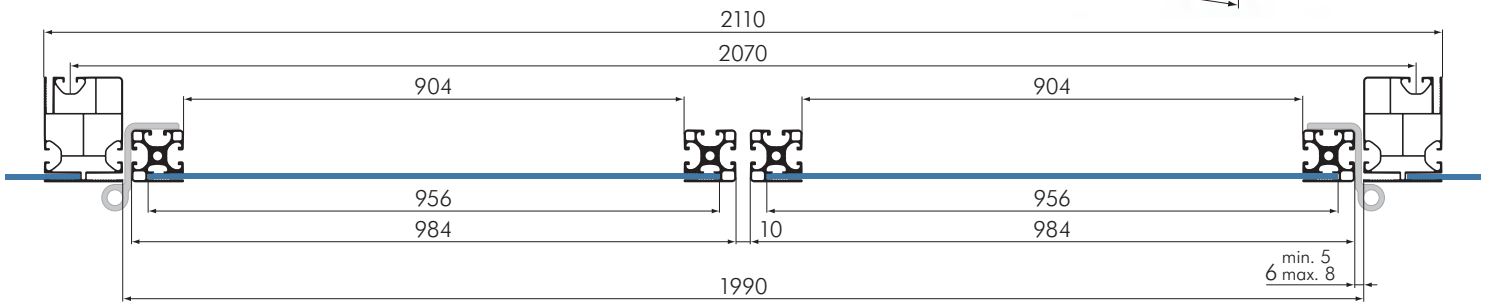
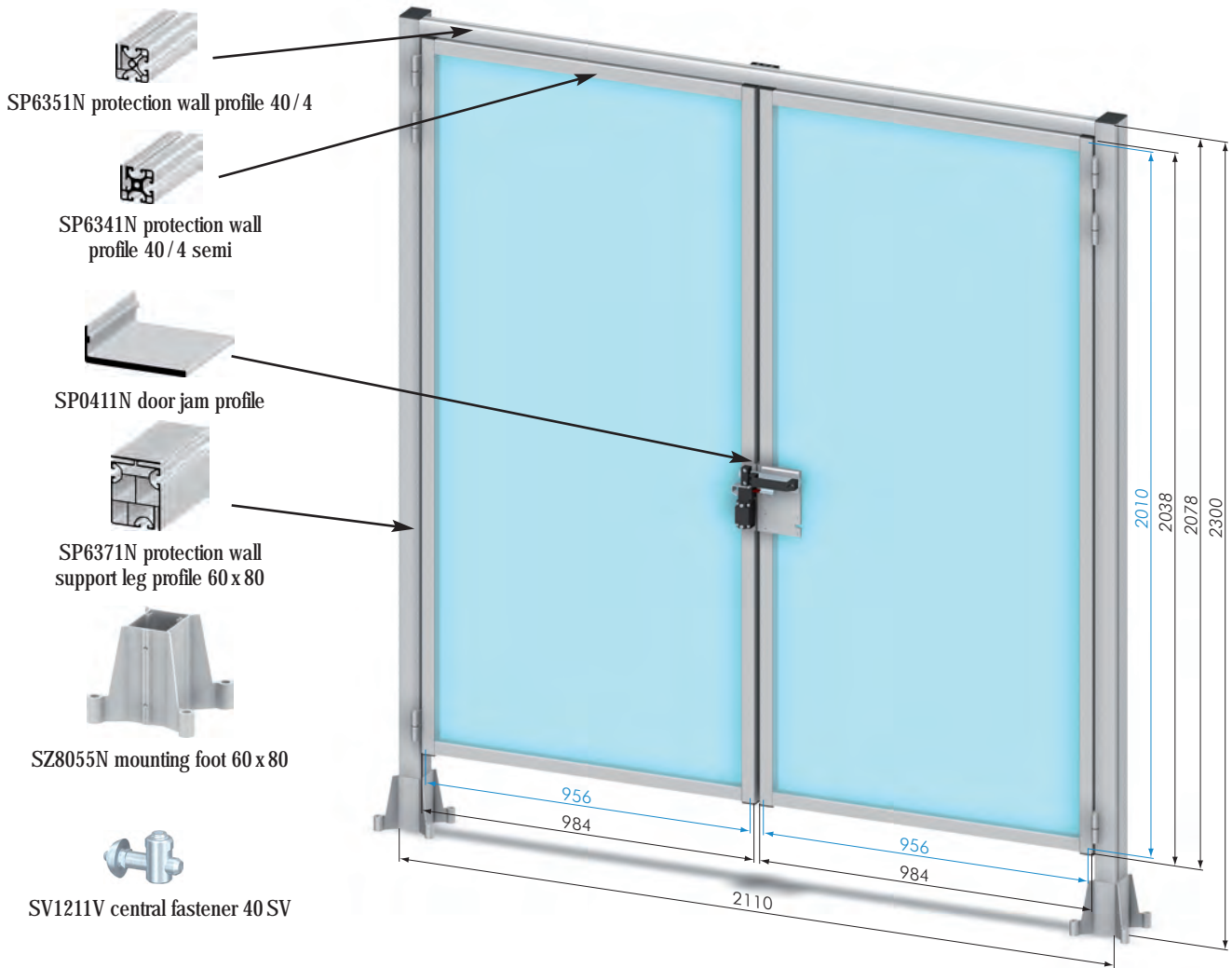


**Double Door Elements**

Part No	Description	Total height
SZ8120N	Double Door Element 60 x 80	2300 mm

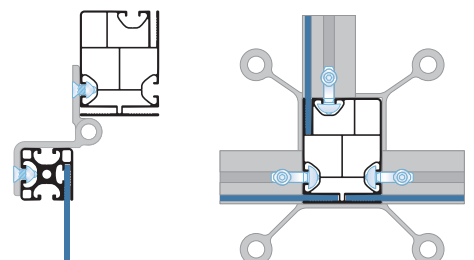
**40**



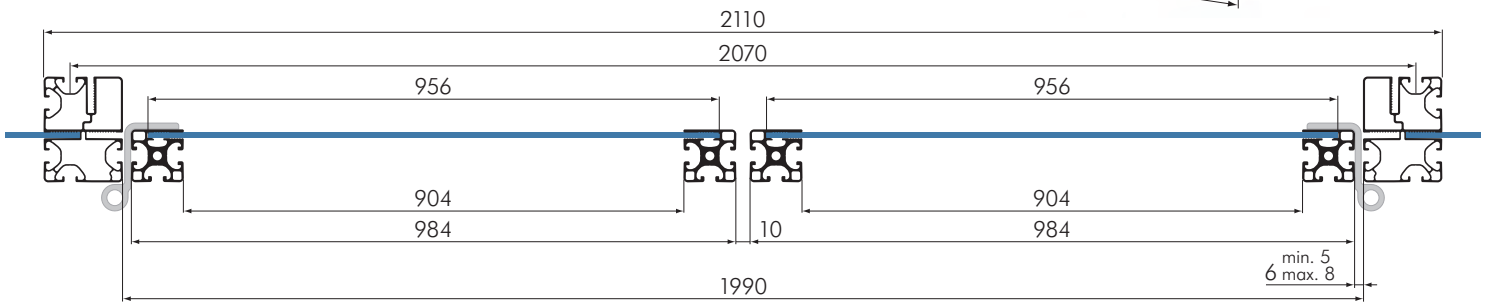
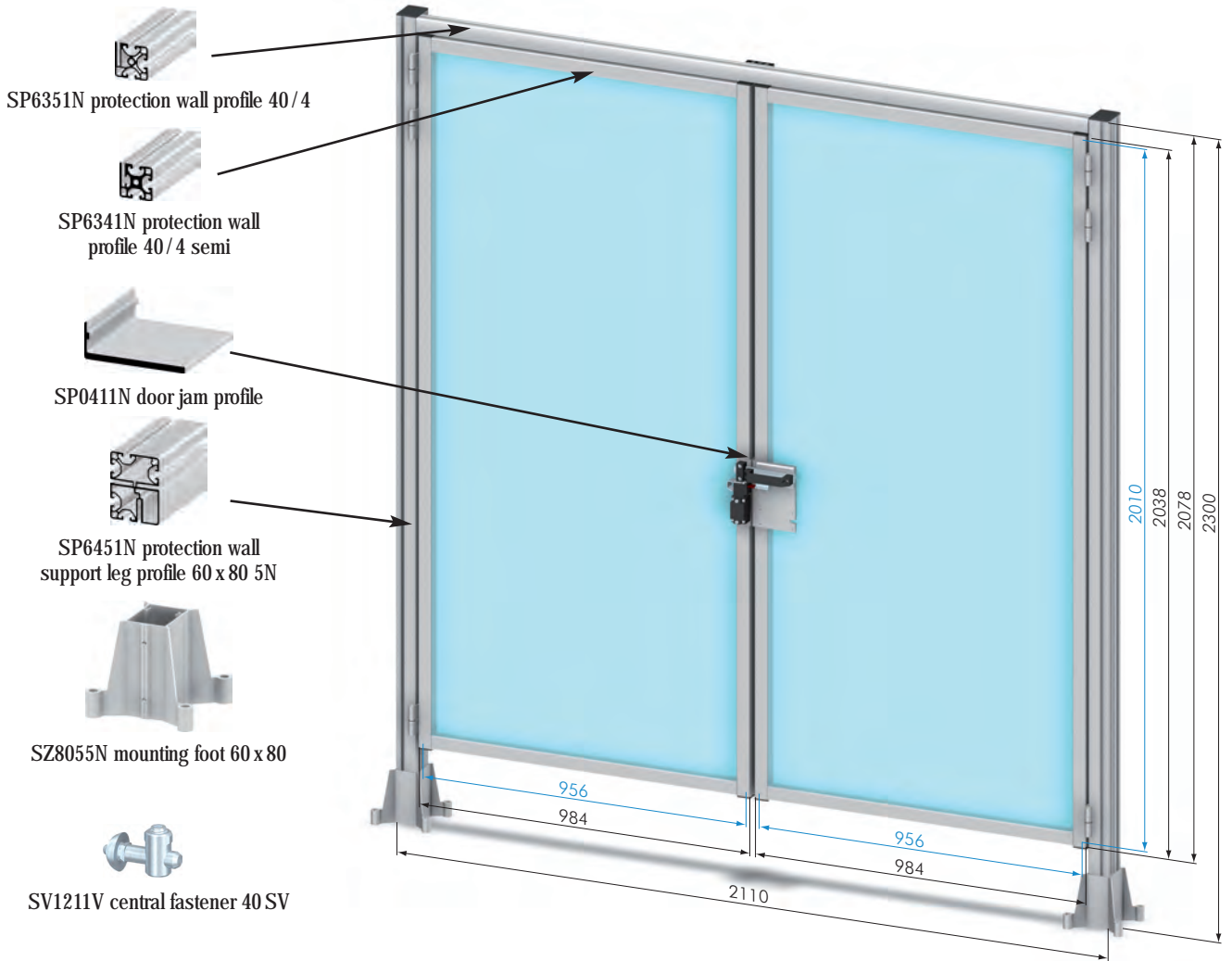


Double Door Elements		
Part No	Description	Total height
SZ8122N	Double Door Element 60 x 80	2300 mm

40

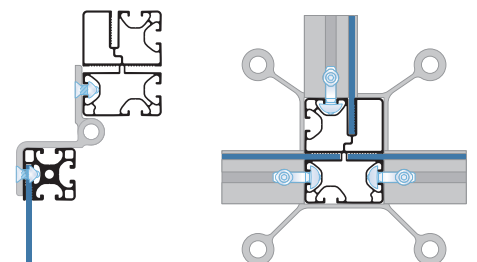


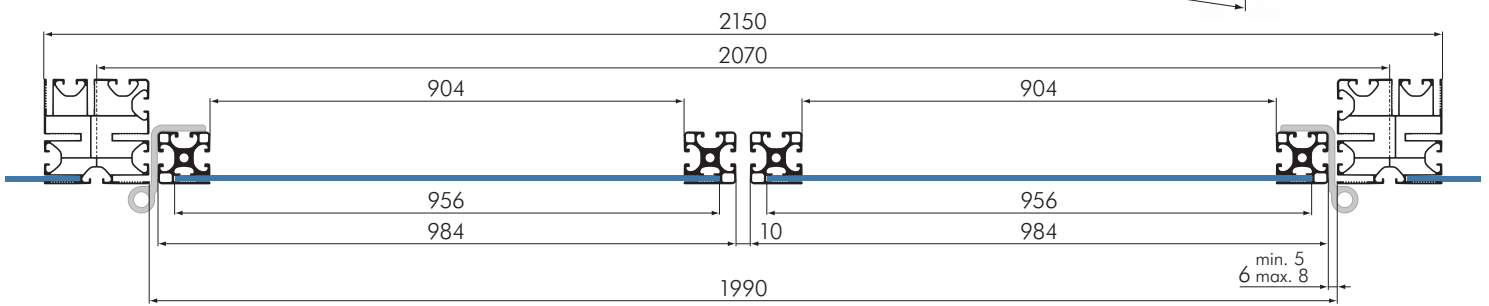
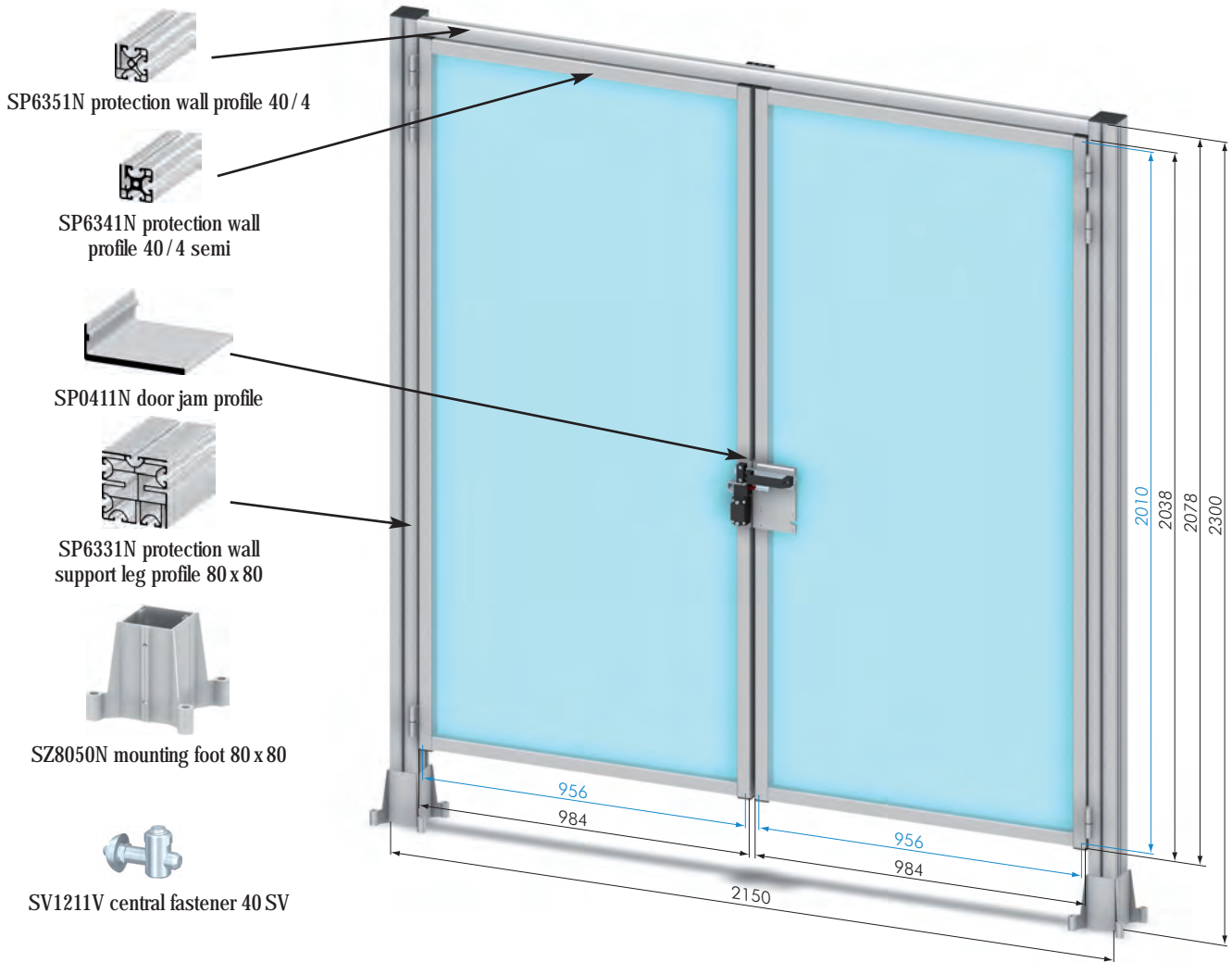




**Double Door Elements**

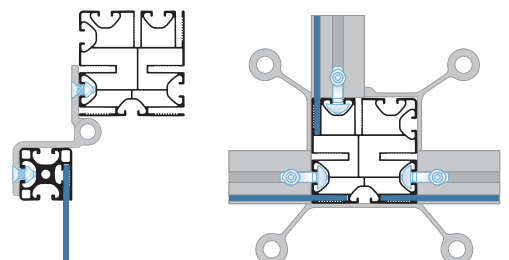
Part No	Description	Total height
SZ8123N	Double Door Element 60 x 80 5N	2300 mm

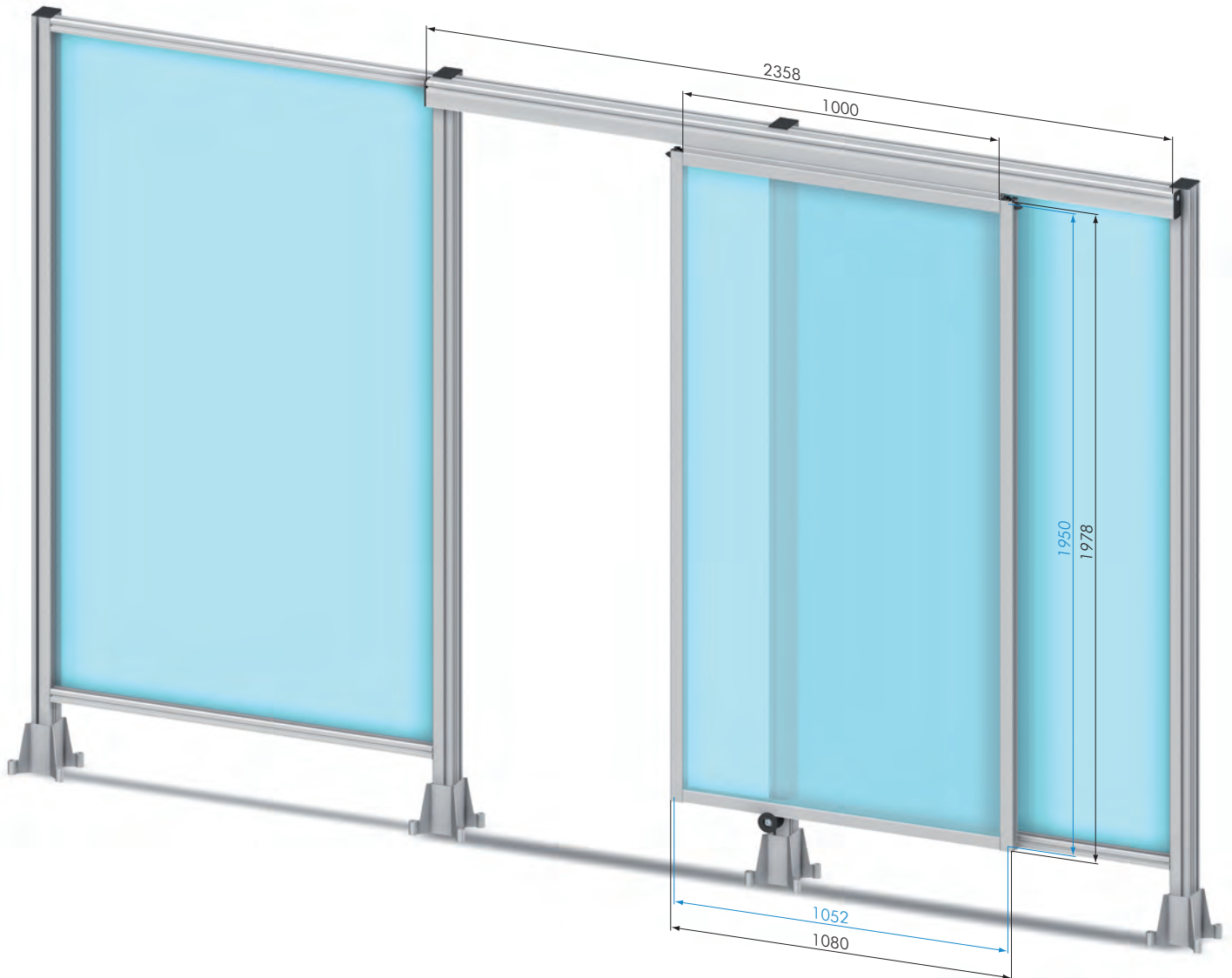




Double Door Elements		
Part No	Description	Total height
SZ8121N	Double Door Element 80 x 80	2300 mm

40



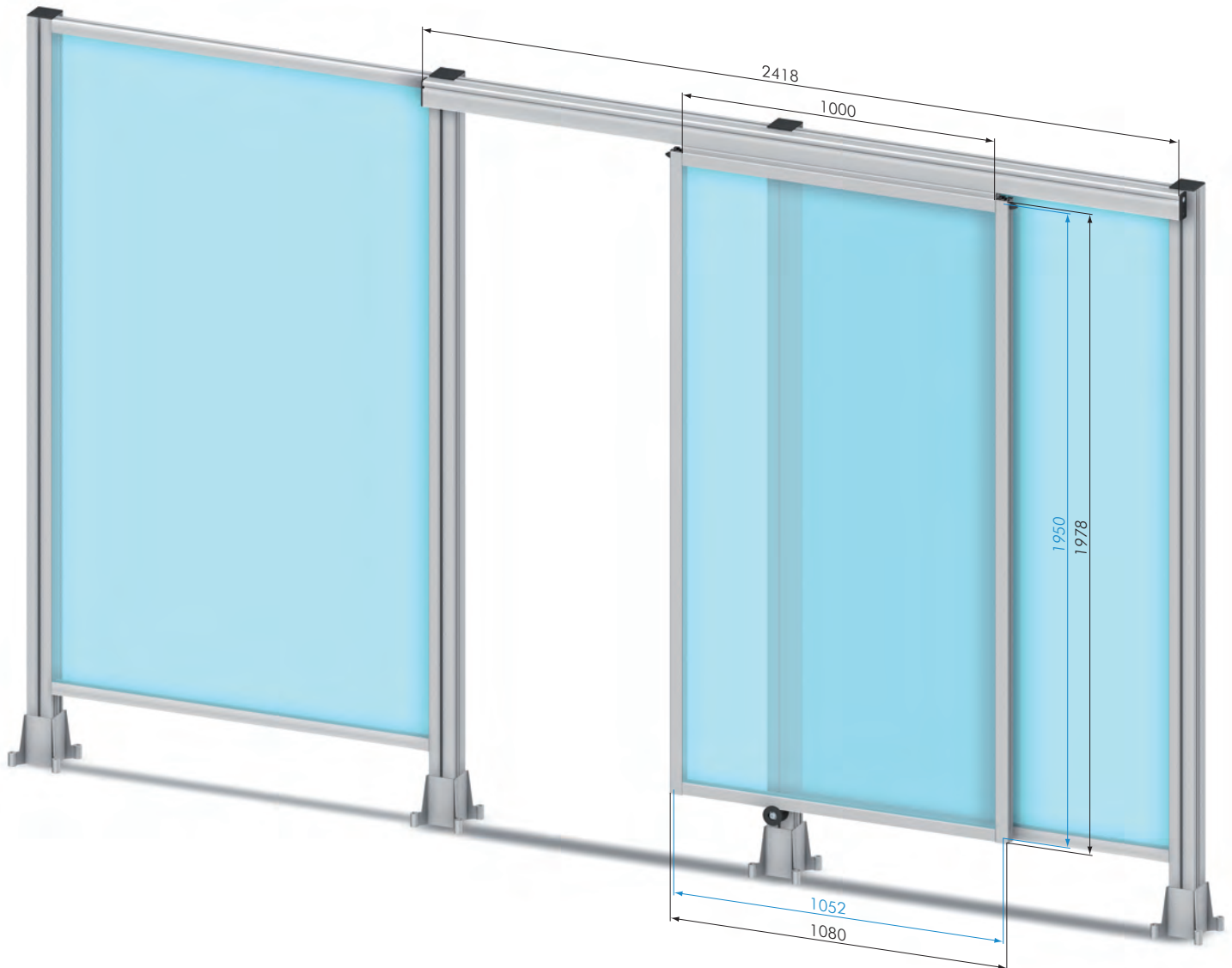

**Single Sliding Door Elements**

Part No	Description	Total height
SZ8140N	Single Sliding Door Element 60	2300 mm


**Supply:**

- 1x linear actuator C 40 x 100, L = 2358 mm, with carriage, L = 1000 mm
- 2x SV1301V central fastener 40 GC to connect the carriage to the panel
- 1x door element consisting of:
  - 2x protection wall profile 40 / 4, L = 1000 mm
  - 2x protection wall profile 40 / 4, L = 1978 mm
  - 4x SV1211V central fastener 40 SV
  - 1x sheet material 1052 mm x 1950 mm
- 1x SZ8044S stabilizing roller for supporting sliding doors to vertical profiles

- Not Included:**
- frame elements 60 x 80
  - proximity end stops



### Single Sliding Door Elements

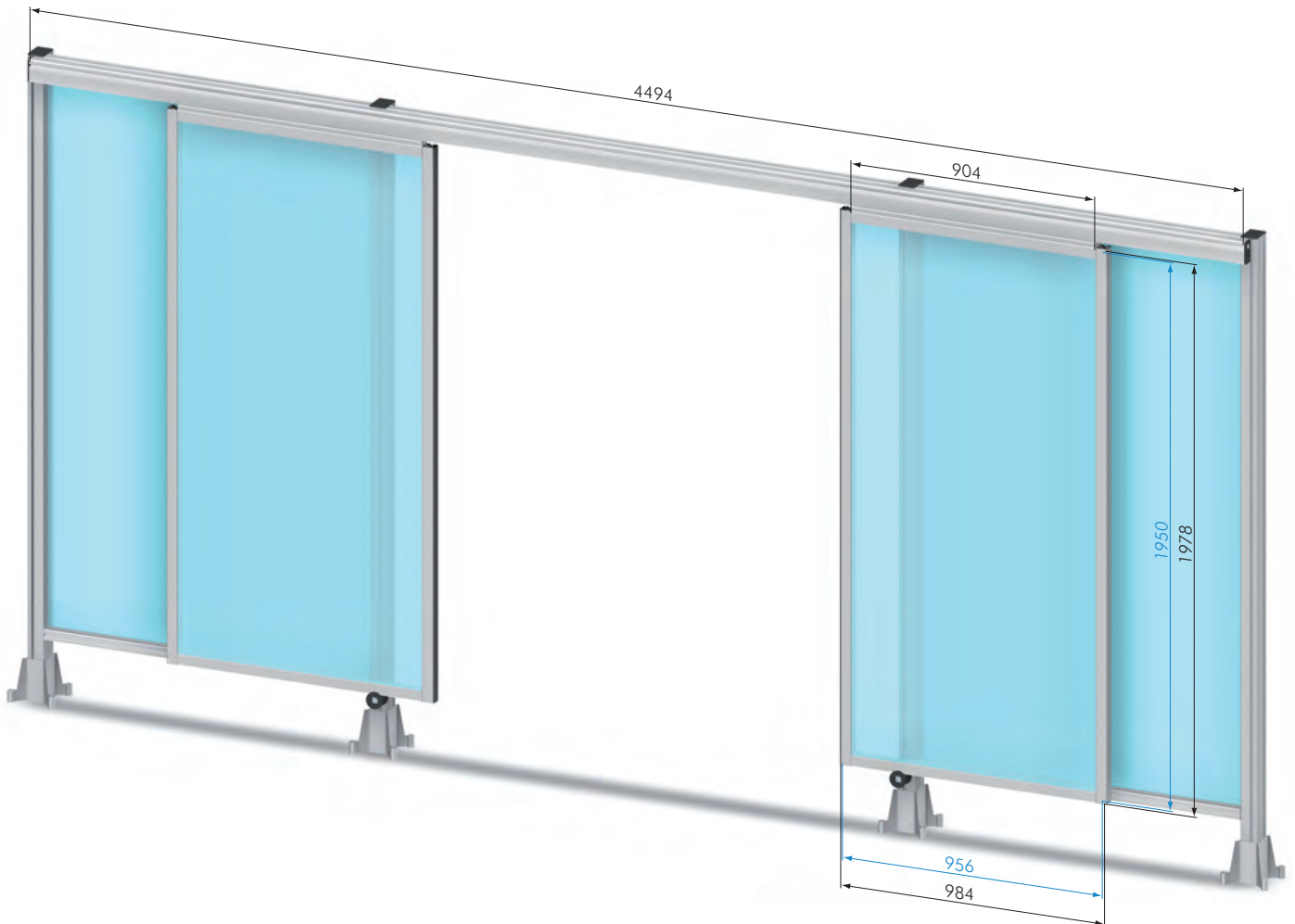
Part No	Description	Total height
SZ8141N	Single Sliding Door Element 80	2300 mm



**Supply:**

- 1x linear actuator C 40 x 100, L = 2418 mm, with carriage, L = 1000 mm
- 2x SV1301V central fastener 40 GC to connect the carriage to the panel
- 1x door element consisting of:
  - 2x protection wall profile 40 / 4, L = 1000 mm
  - 2x protection wall profile 40 / 4, L = 1978 mm
  - 4x SV1211V central fastener 40 SV
  - 1x sheet material 1052 mm x 1950 mm
- 1x SZ8044S stabilizing roller for supporting sliding doors to vertical profiles

- Not Included:**
- frame elements 80 x 80
  - proximity end stops

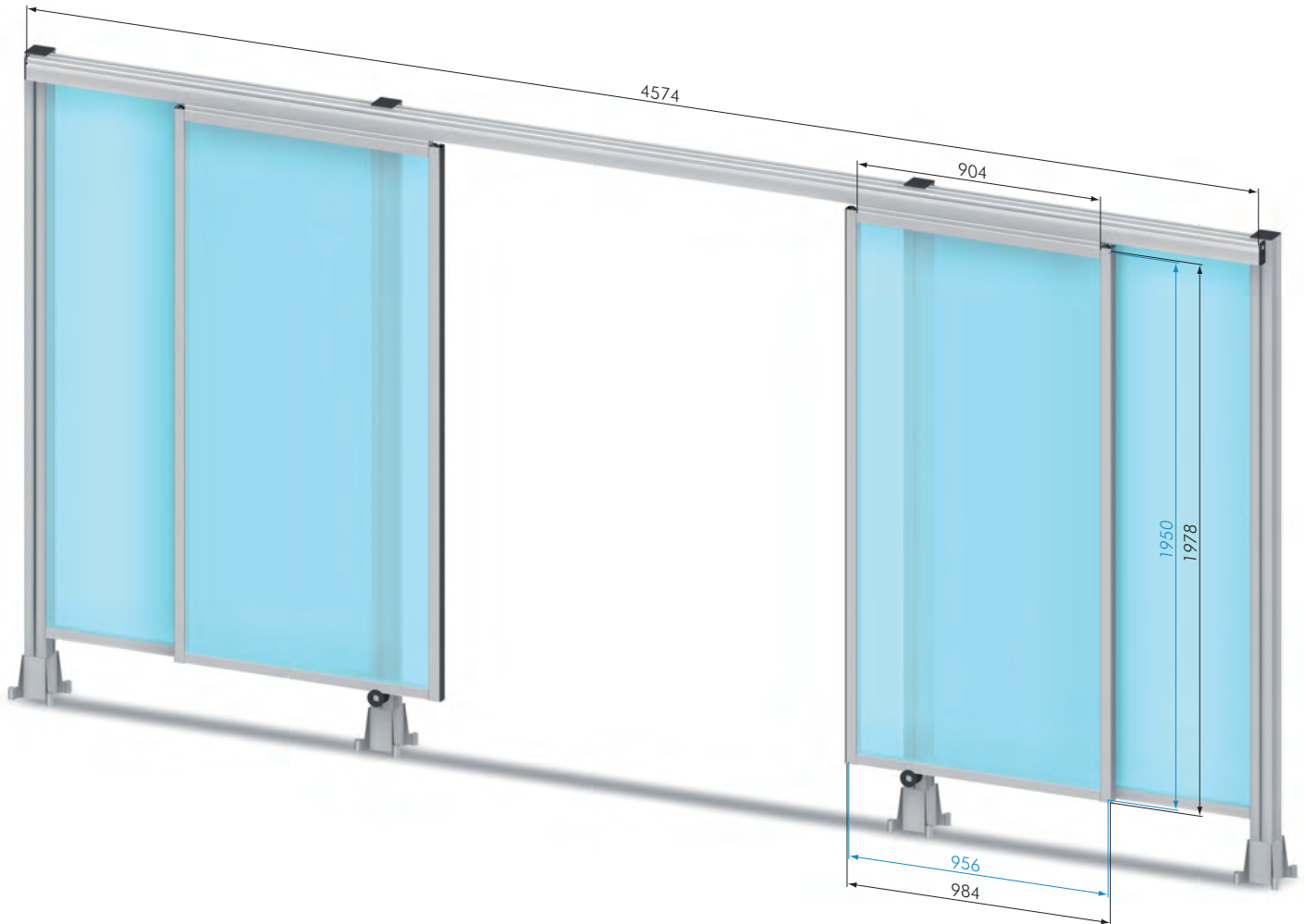

**Double Sliding Door Elements**

Part No	Description	Total height
SZ8142N	Double Sliding Door Element 60	2300 mm


**Supply:**

- 1x linear actuator C 40 x 100, L = 4494 mm, with carriage, L = 904 mm
- 2x SV1301V central fastener 40 GC to connect the carriage to the panel
- 2x door element consisting of:
  - 2x protection wall profile 40 / 4, L = 904 mm
  - 2x protection wall profile 40 / 4, L = 1978 mm
  - 4x SV1211V central fastener 40 SV
  - 1x sheet material 956 mm x 1950 mm
  - 1x SZ1910S rubber cover 32 x 4, L = 1978 mm
- 2x SZ8044S stabilizing roller for supporting sliding doors to vertical profiles

**Not Included:** • frame elements 60 x 80



Double Sliding Door Elements		
Part N°	Description	Total height
SZ8143N	Double Sliding Door Element 80	2300 mm



**Supply:**

- 1x linear actuator C 40 x 100, L = 4574 mm, with carriage, L = 904 mm
- 2x SV1301V central fastener 40 GC to connect the carriage to the panel
- 2x door element consisting of:
  - 2x protection wall profile 40 / 4, L = 904 mm
  - 2x protection wall profile 40 / 4, L = 1978 mm
  - 4x SV1211V central fastener 40 SV
  - 1x sheet material 956 mm x 1950 mm
  - 1x SZ1910S rubber cover 32 x 4, L = 1978 mm
- 2x SZ8044S stabilizing roller for supporting sliding doors to vertical profiles

**Not Included:** • frame elements 80 x 80



### Laser Enclosures

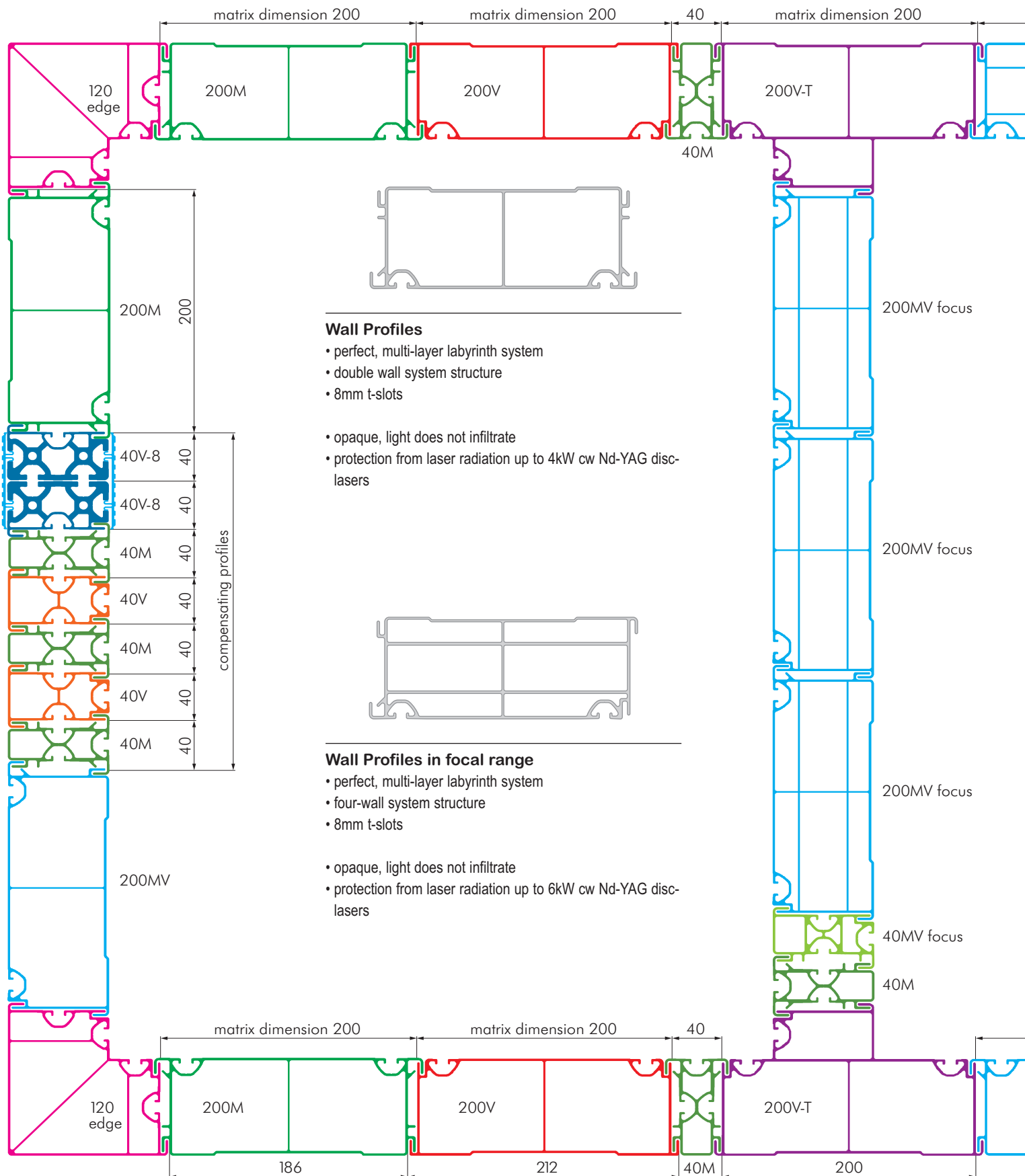
- for 4 kW Nd-YAG lasers
  - 4 kW disc lasers
  - 6 kW disc lasers
  - up to the focal distance (operating point)
  - according to: DIN EN 60825 "Laser Equipment"
  - DIN EN ISO 11553-1:2005
  - "Laser Machining"
- free standing laser enclosures (no additional structural members required)
- self-supporting lengths up to 12 m
- laser enclosure height up to 7,5 m
- enclosure length and width unlimited
- engineered, multi-layer labyrinth system
- innovative design
- double wall structure
- four-wall construction for applications in focal range
- multiple beam systems can be combined within a wall
- corner angles can be infinitely positioned
- standard t-nuts facilitate simple installation of additional components
- fast-moving roll-up, horizontal / vertical rolling and sliding process doors
- automatic part insertion options without disengaging laser
- laser safe exhaust vents
- specially designed hose, pipe and cable entry systems
- patent-protected worldwide

We supply Laser Enclosures for:

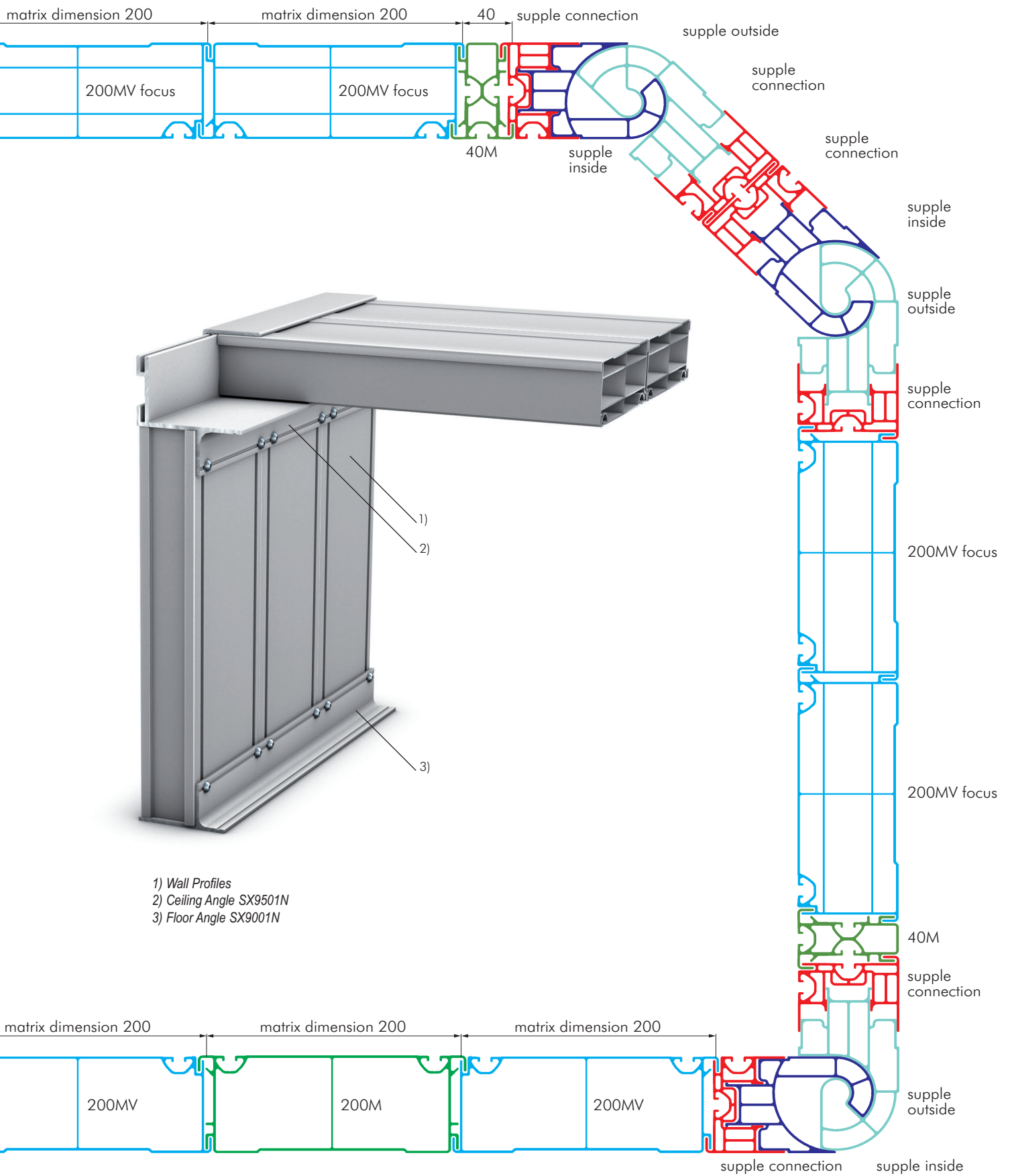
- Daimler AG
- Volkswagen AG
- General Motors Corporation
- Ford Motor Company
- Benteler AG
- and others

worldwide:

- Germany
- Spain
- Portugal
- Slovakia
- Czech Republic
- Poland
- Mexico
- USA
- Argentina
- Brazil
- South Africa
- China

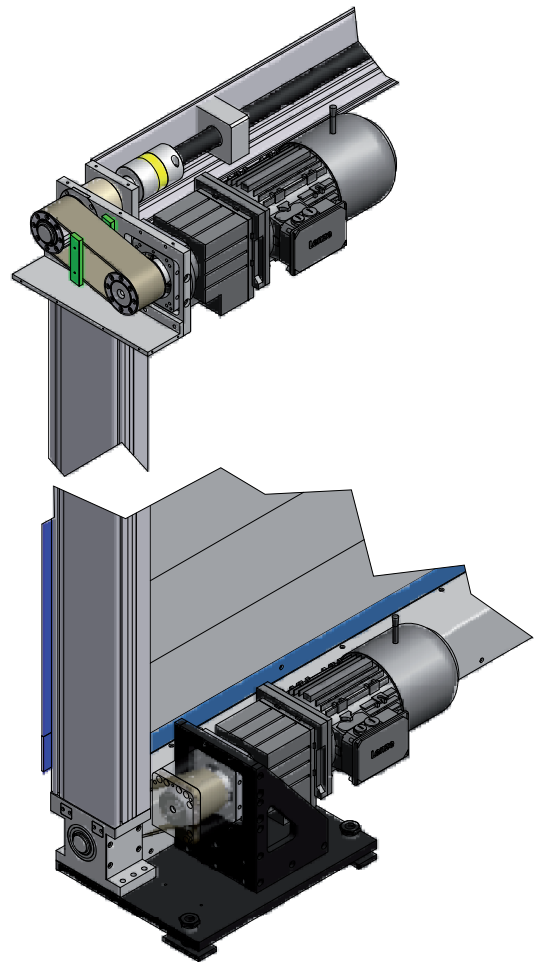




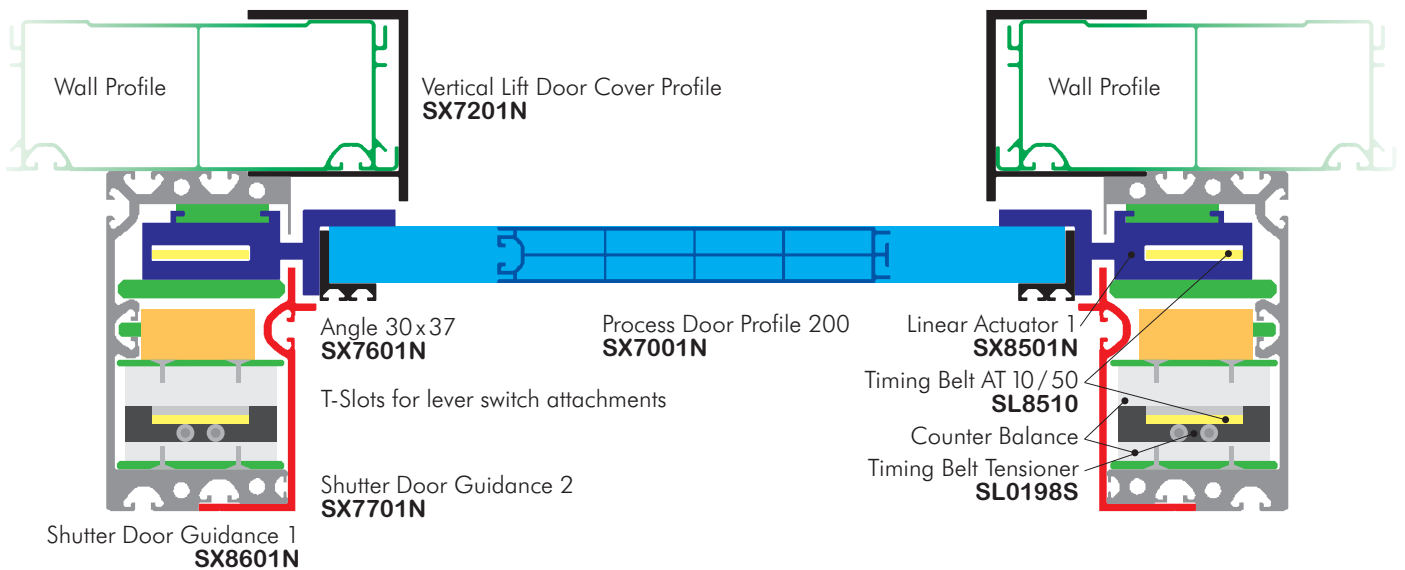




SH2000N



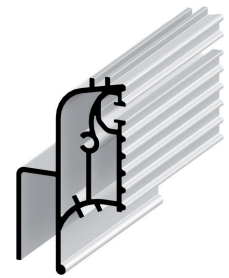
Motor attachment on top or bottom as desired.







Segment Door Profile 120 x 42.5



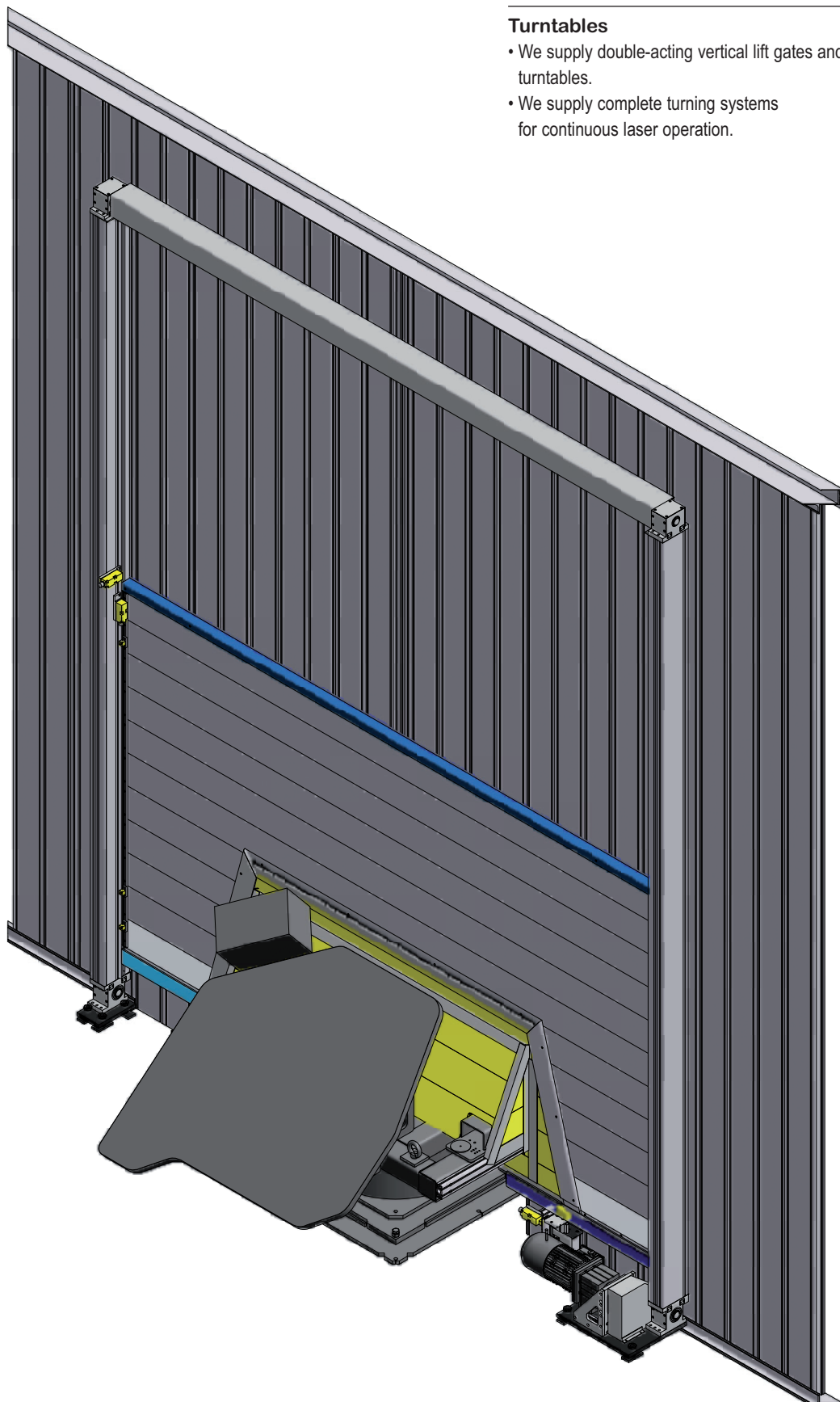
Segment Door Profile 120 x 66.5



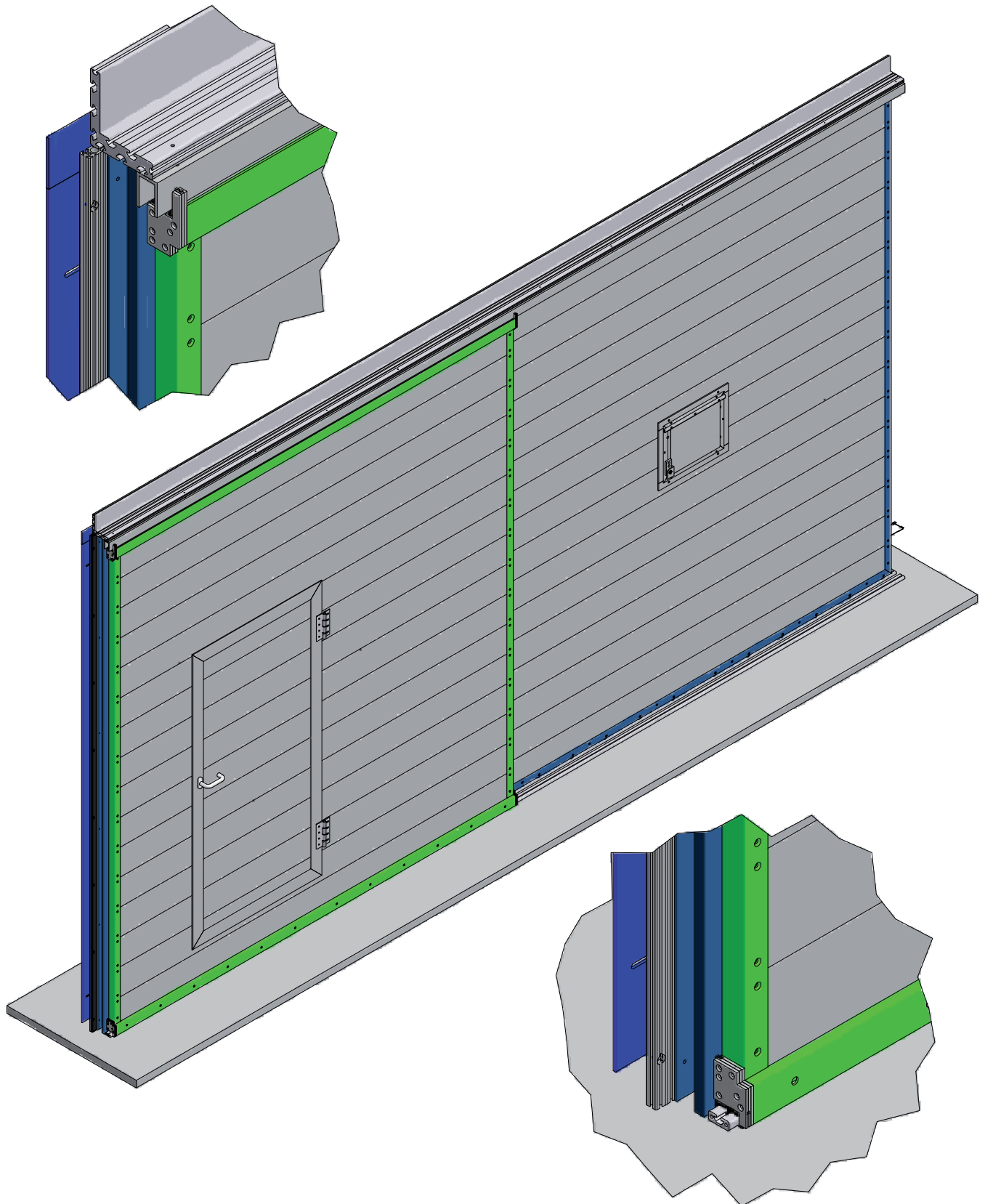
Segment Door Profile 80 x 42.5

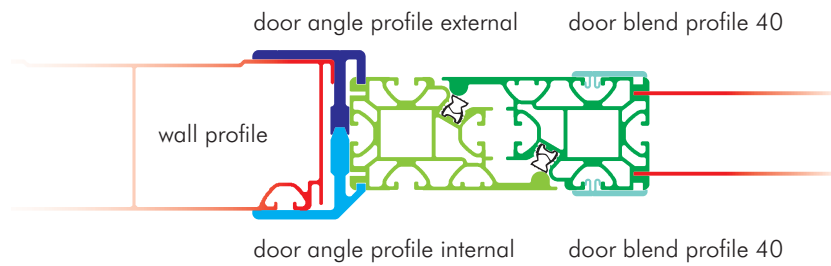
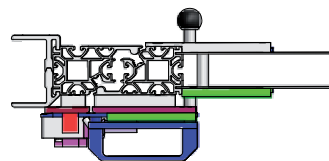
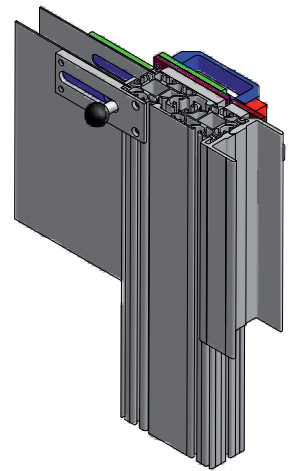
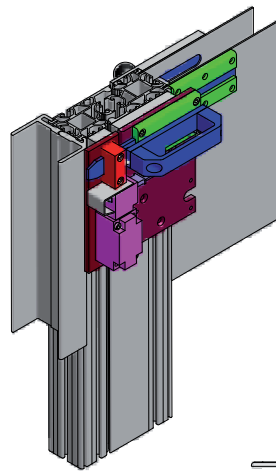


Timing Belt Clamp Profile

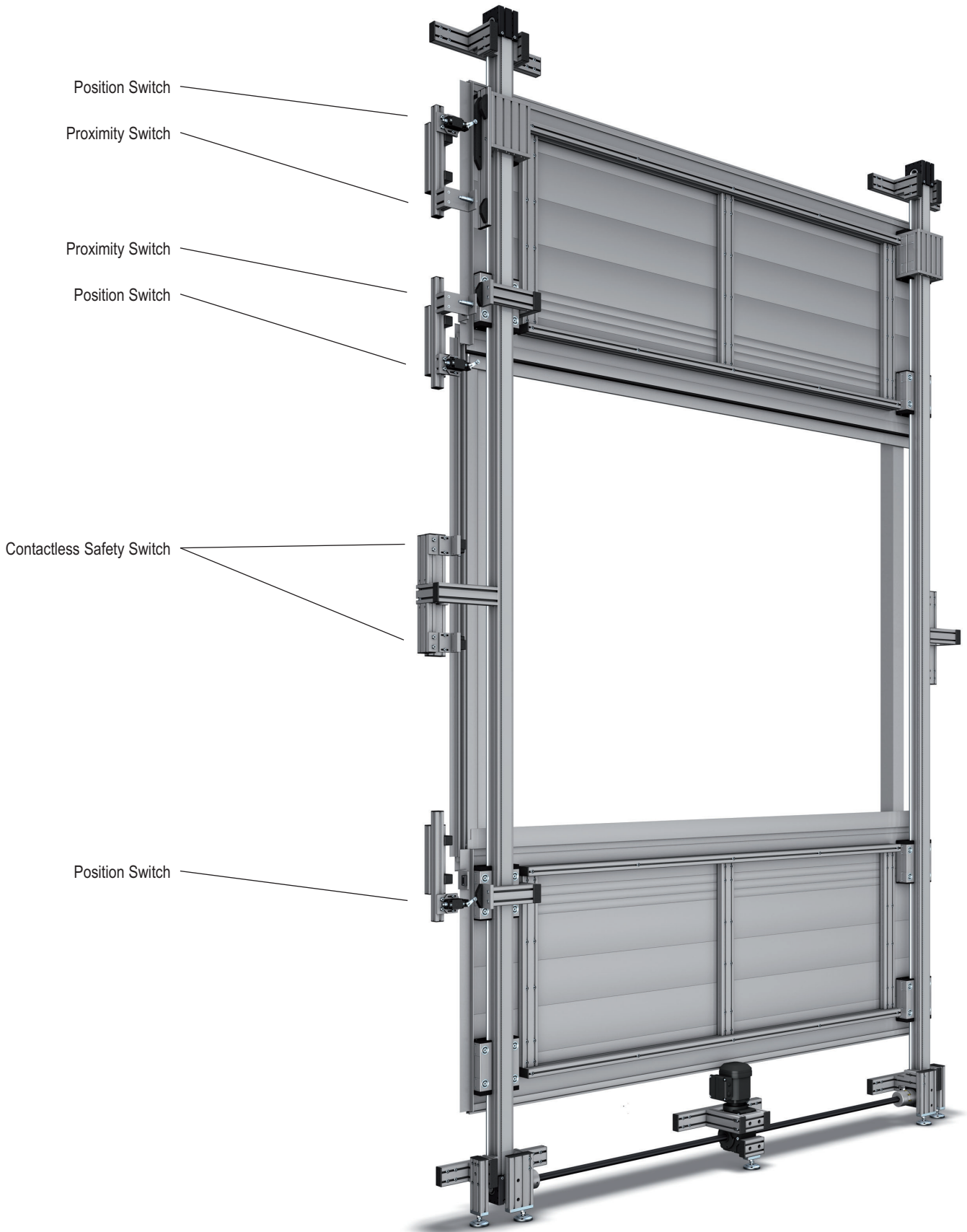
**Turntables**

- We supply double-acting vertical lift gates and encasements for turntables.
- We supply complete turning systems for continuous laser operation.



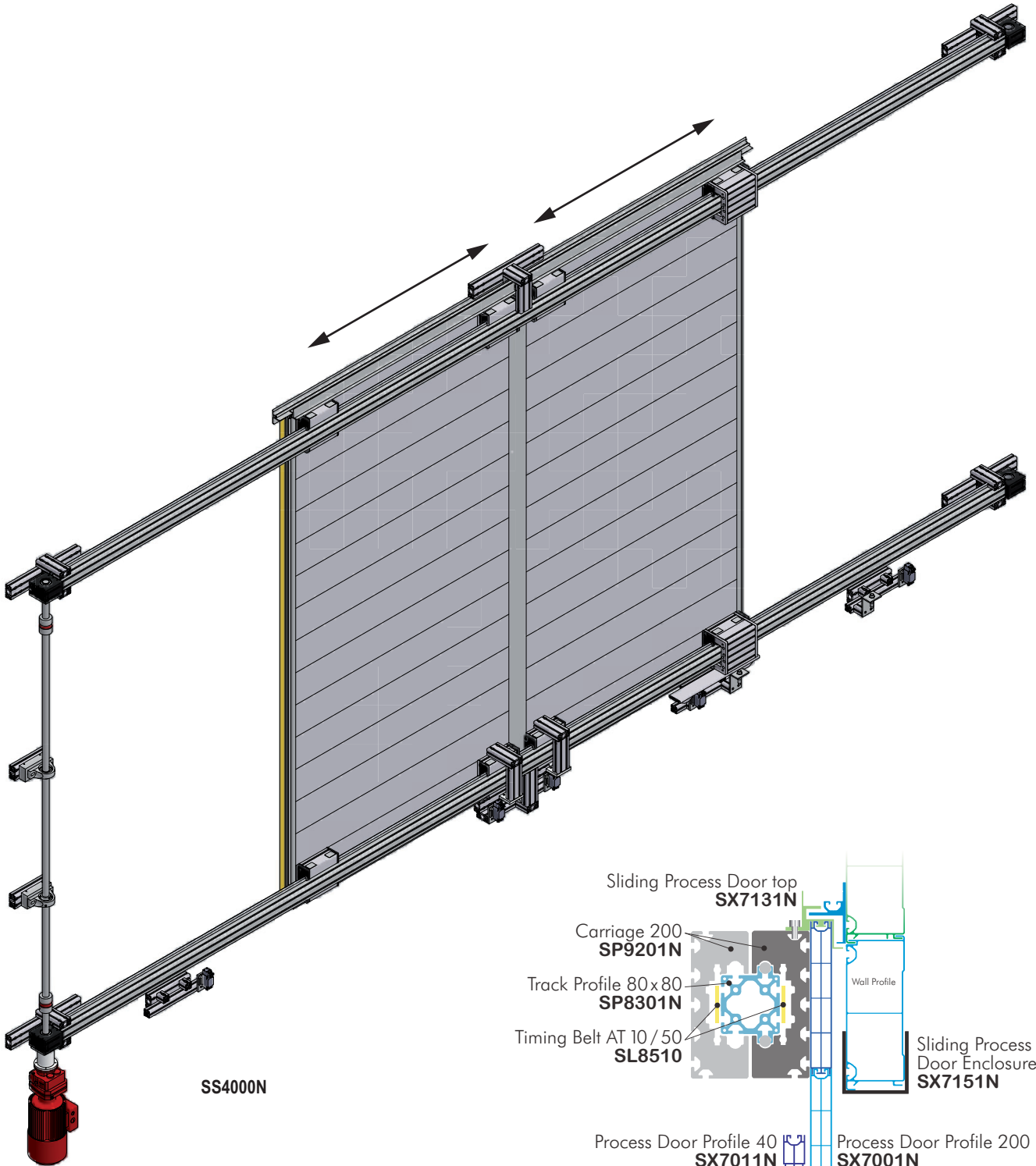


Scale 1:4 | Horizontal Drawing

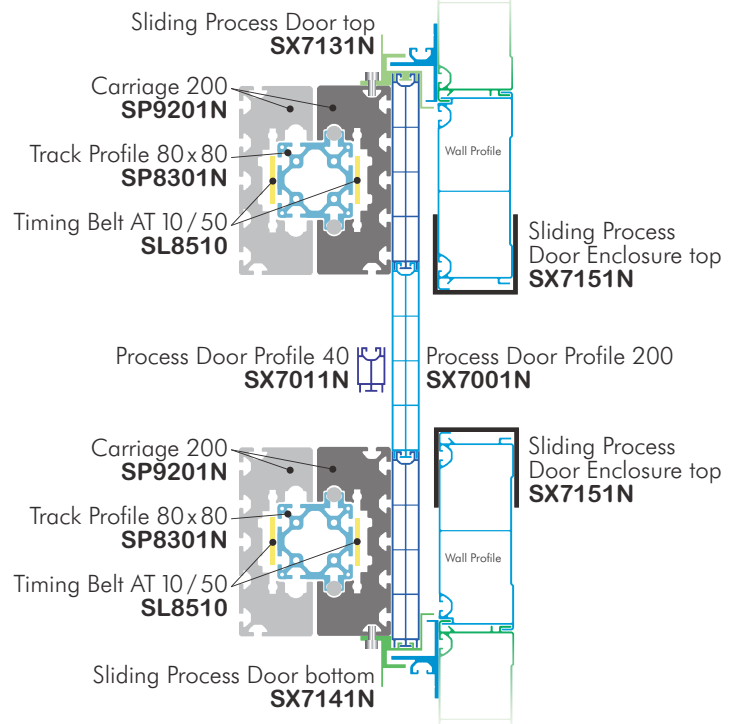


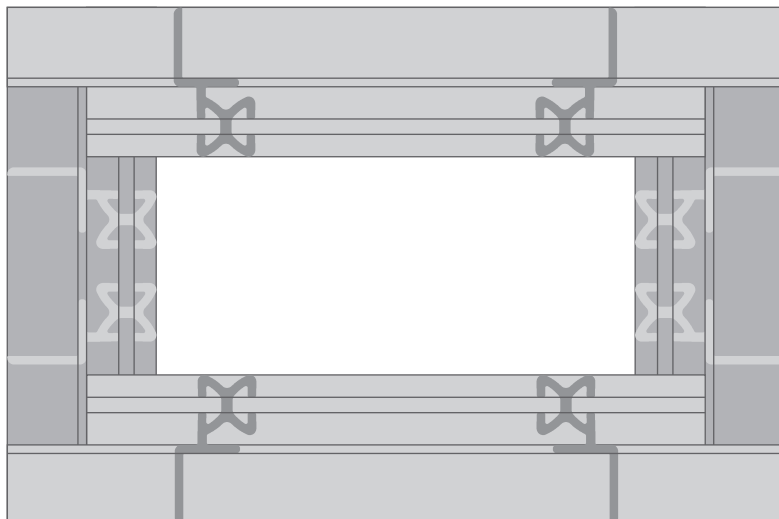
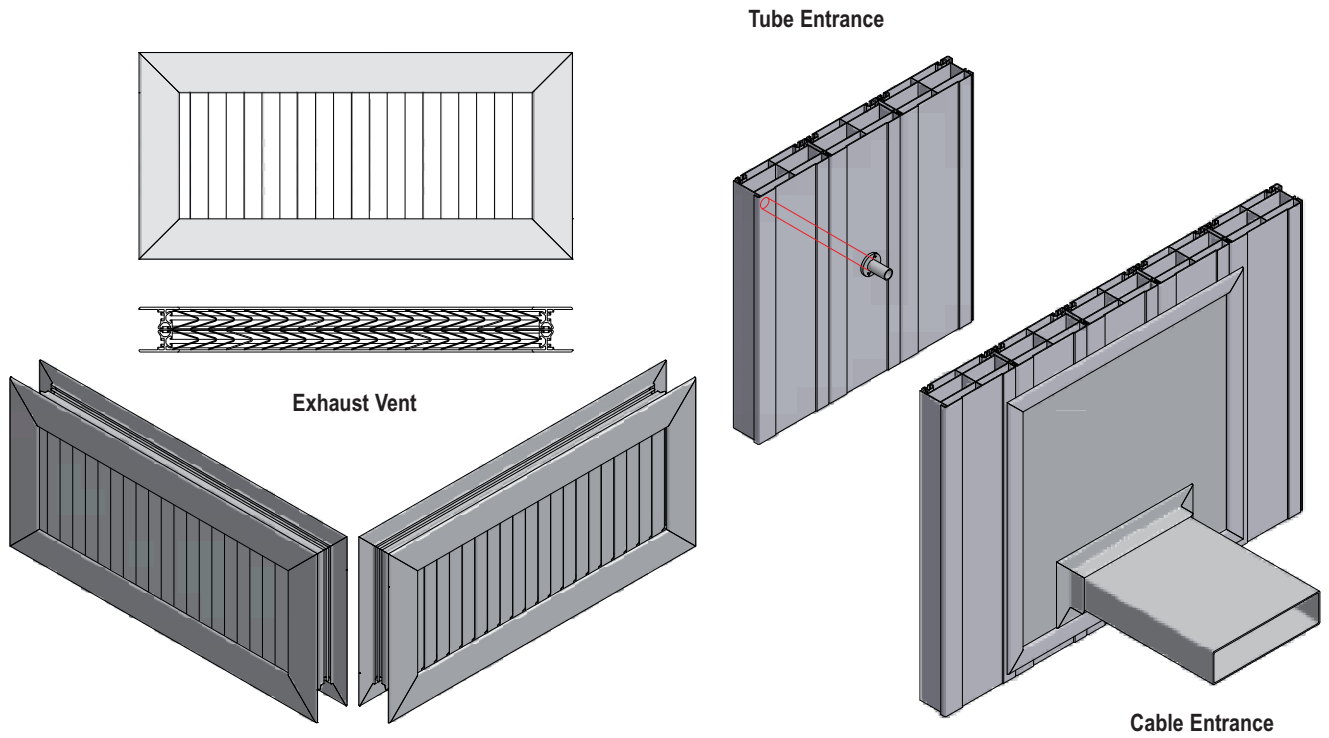
SH3000N





SS4000N

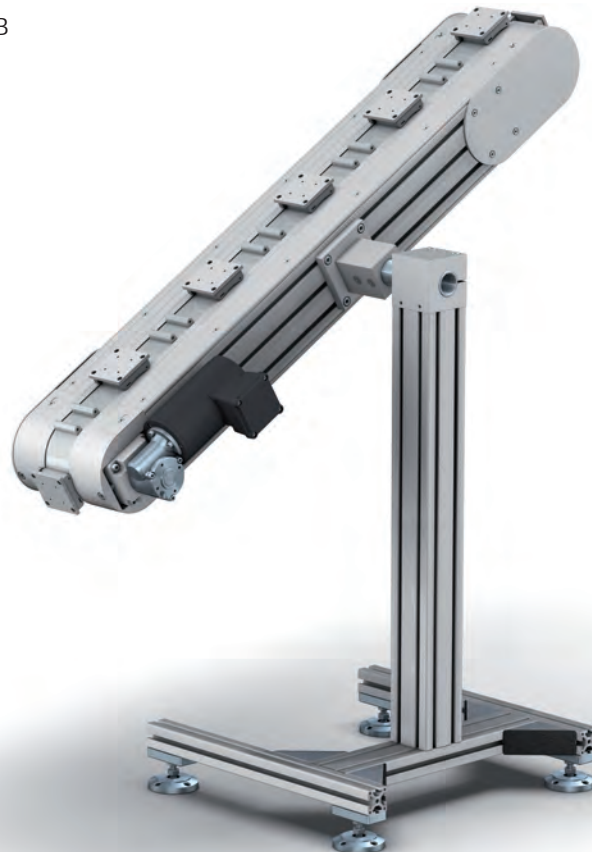


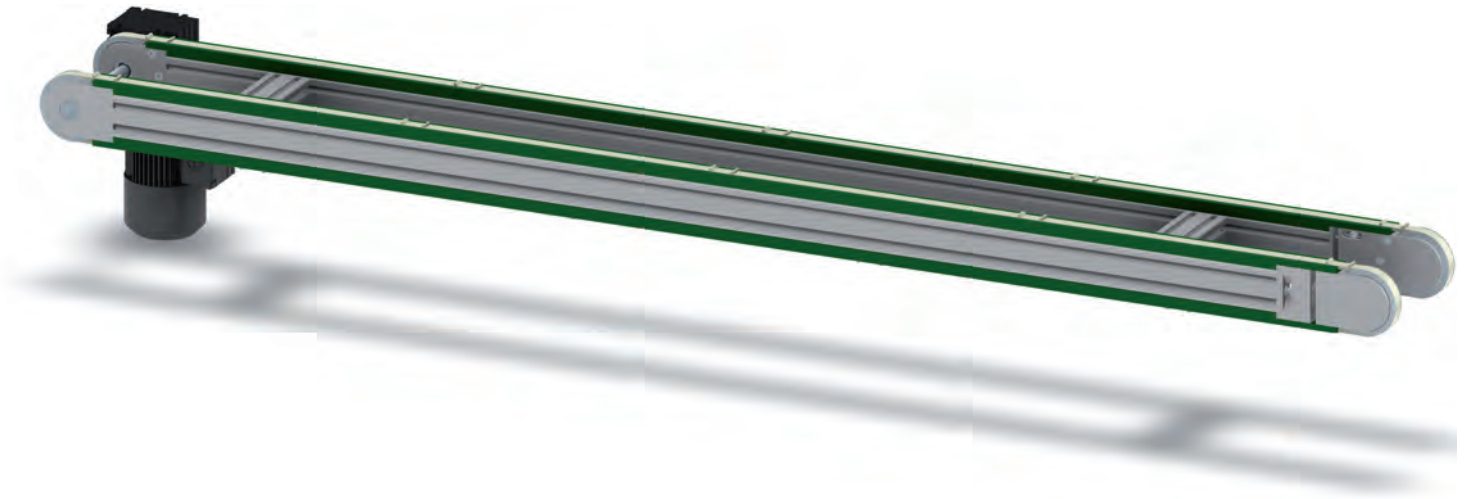




**Timing Belt Conveyor with outer casing**

- according to machinery directive 2006/42 EG, appendix II B
- adjustable brackets
- movable grip protection tunnel



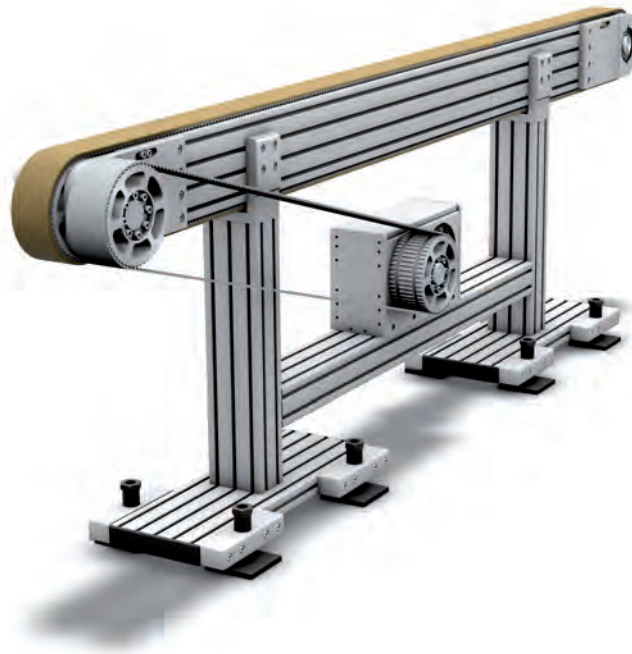


---

#### **Timing Belt Conveyor**

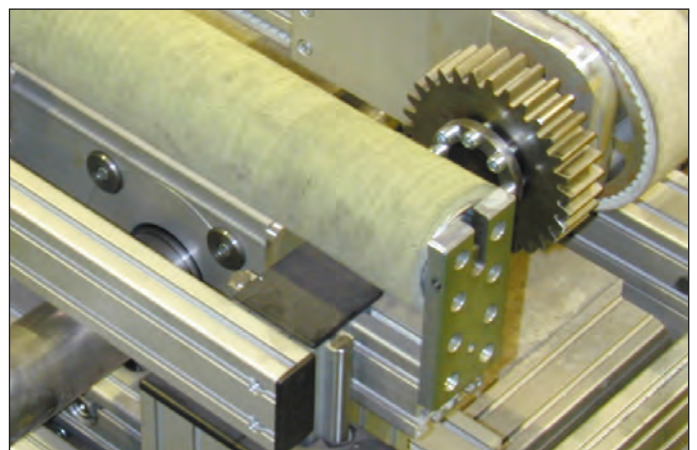
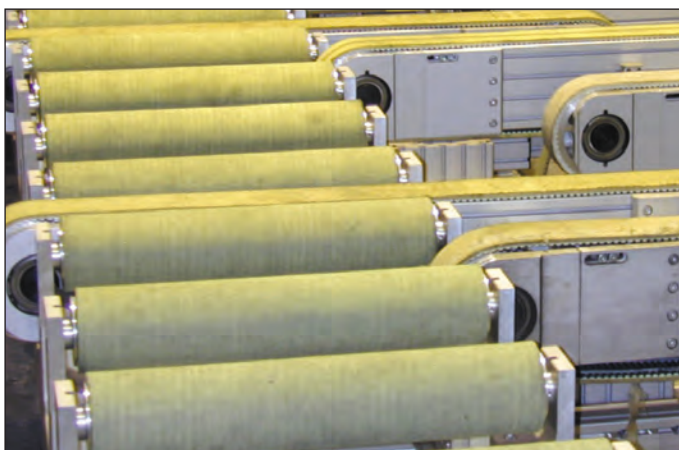
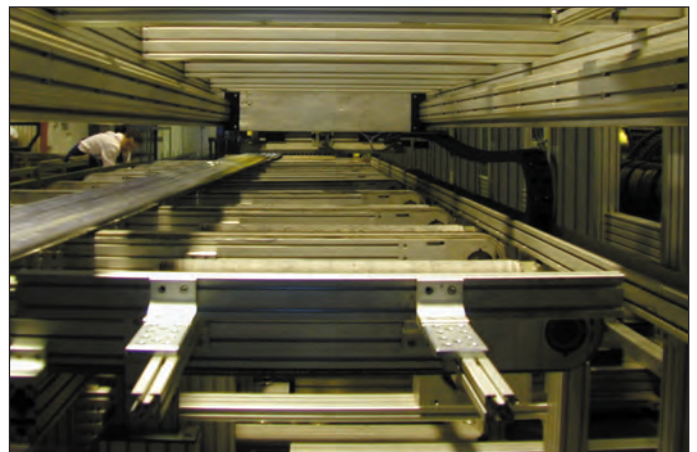
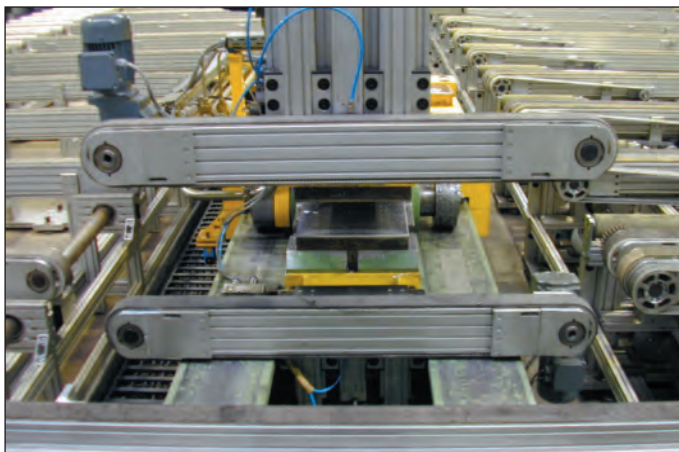
The belt conveyor framework is constructed from the standard range of *Paletti* profiles. The conveyor belts are purchased to customer requirements.

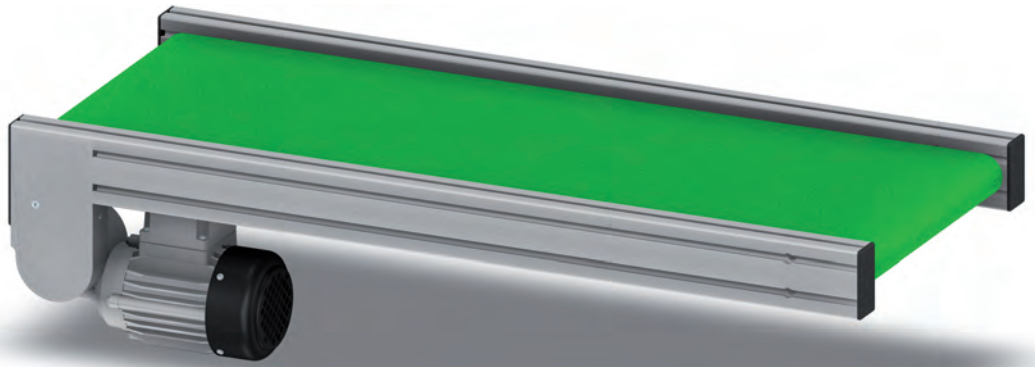
The conveyors have a selection of drive units available to suit most needs. Power is transferred by a gearbox, the conveyor belt is tensioned by two return units.



*On request the drive unit may be relocated by a gearbox.*

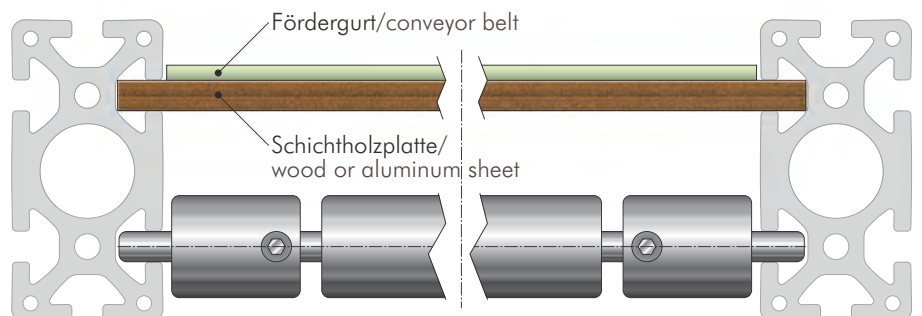
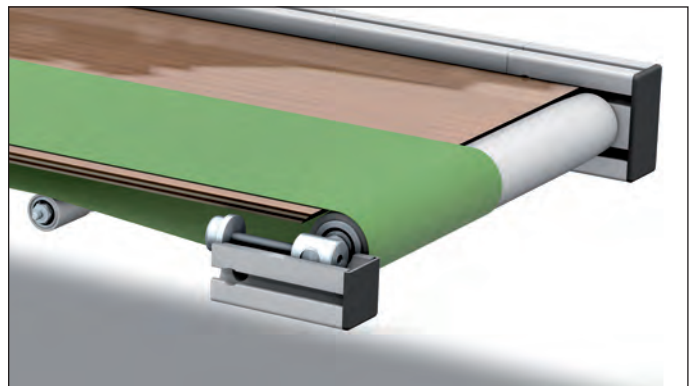
Automated conveyor discharge system





**Belt Conveyor**

The belt conveyor framework is constructed from the standard range of *Paletti* profiles. Wood or aluminum sheet is used to support the conveyor belt. The conveyor belts are purchased to customer requirements. The drive rollers are ground to a conical finish. The conveyors have a selection of drive units available to suit most needs. Power is transferred by a timing belt or by a drive chain. The conveyor belt is tensioned via two profile belt tensioners.



*Superstructure of a belt conveyor.*

### Motors, with gearbox TD

Part-Nº	Description	Size
ST0002Z	Motor, with gearbox TD	90 W
ST0004Z	Motor, with gearbox TD	180 W



**Application:** Drive motor for conveyor systems.

**Technical Data:** 3 phase motor with gearbox

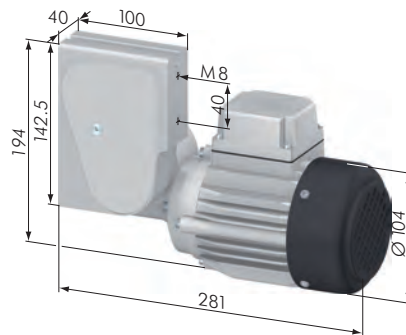
**Output:** 90 W (ST0002Z)  
180 W (ST0004Z)

**Speed:** 1350 Upm

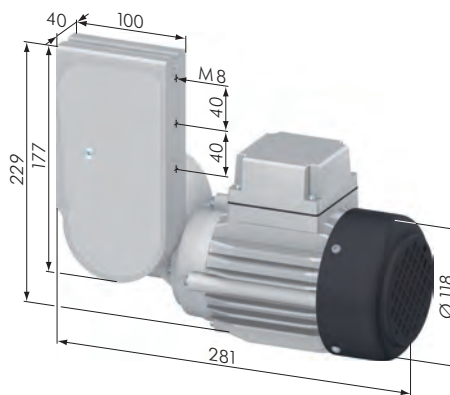
**Ratio:** i = 50, other ratio upon request

**Protection:** IP 44

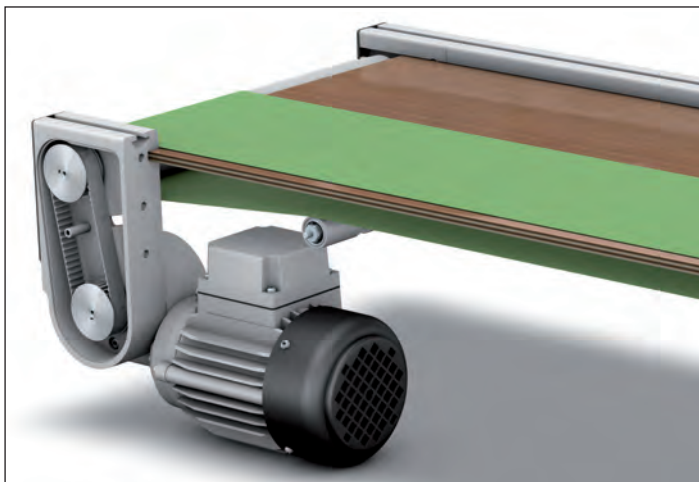
**Torque:** ST0002Z: 13 Nm (i = 50)  
ST0004Z: 32 Nm (i = 50)



ST0002Z



ST0004Z



### Conveyor Roller

Part-Nº	Description	Weight
ST1000N	Conveyor Roller	



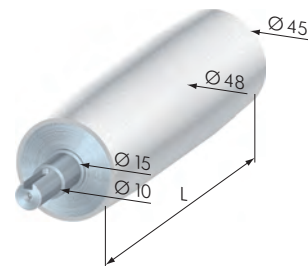
**Application:** Conveyor roller for conveyor systems.

**Material:** aluminum, anodized, with a ground conical finish

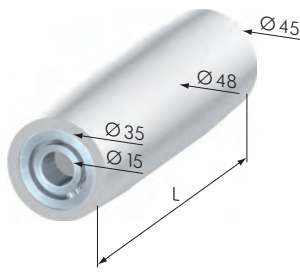
Price list is valid for conveyor rollers up to 300 mm.  
Prices for longer conveyor rollers on request.

**Supply:**

- 1x conveyor roller
- 1x fitting key 4 x 4 x 20, DIN 6885
- 1x compensating bearing



ST1000N



ST1500N



Return Roller		
Part-Nº	Description	Weight
ST1500N	Return Roller	

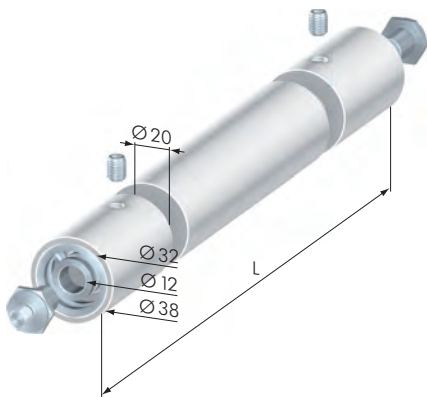
**Application:** Return roller for conveyor systems.

**Material:** aluminum, natural anodized, with a conical finish

**Supply:**

- 1x return roller
- 2x compensating bearing

Price list is valid for conveyor rollers up to 300 mm.  
 Prices for longer conveyor rollers upon request.



ST2000N



Idler Roller		
Part-Nº	Description	Weight
ST2000N	Idler Roller	

**Application:** Prevents the sagging of the conveyor belt.

**Material:** aluminum, natural anodized

**Supply:**

- 1x idler roller
- 2x grooved bearing
- 2x axle journal; steel, zinc-plated

**Acc.:**

- 2x SV2002V t-nut M 8 / ball-type, slide-in

Price list is valid for conveyor rollers up to 300 mm.  
 Prices for longer conveyor rollers on request.

The tensioning screw for the conveyor belt is situated behind the profile cap in the 25 bore of the profile.



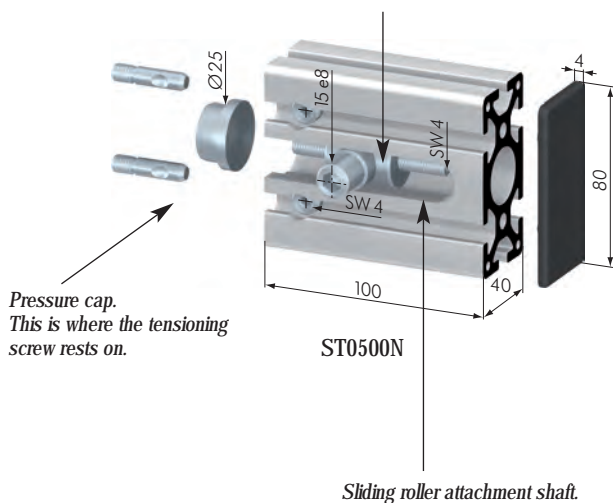
Conveyor Belt Tensioner		
Part-Nº	Description	Weight
ST0500N	Conveyor Belt Tensioner	637 g

**Application:** For tensioning conveyor belts with fastening kit and profile cap.

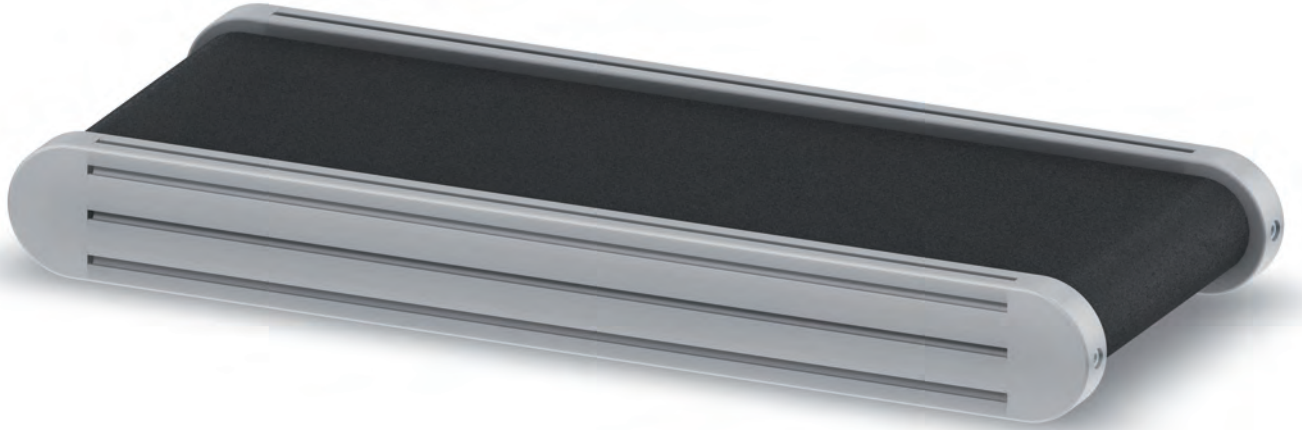
**Material:**

- casing: aluminum, natural anodized
- pressure cap: steel, zinc-plated
- tensioning screw: steel, zinc-plated
- central fastener 40 G: steel, zinc-plated

**Technical Data:** horizontal adjustment: 0 - 29 mm



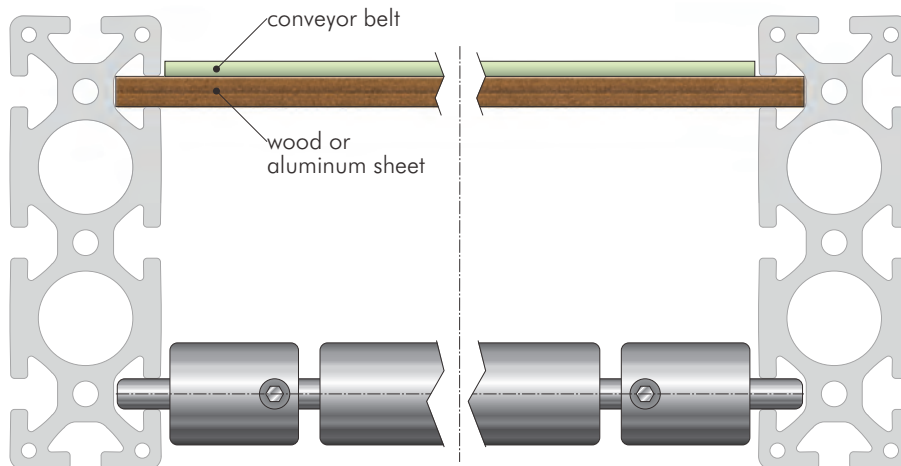
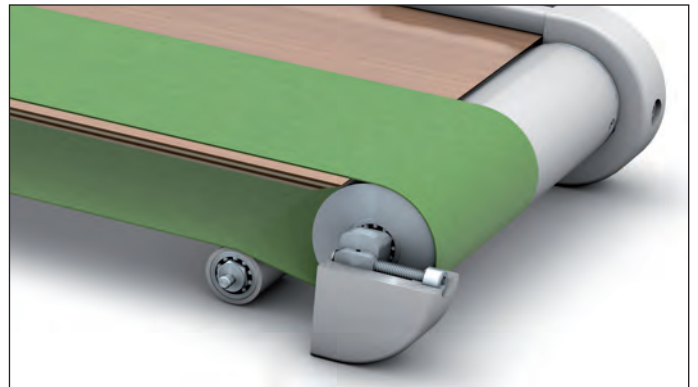




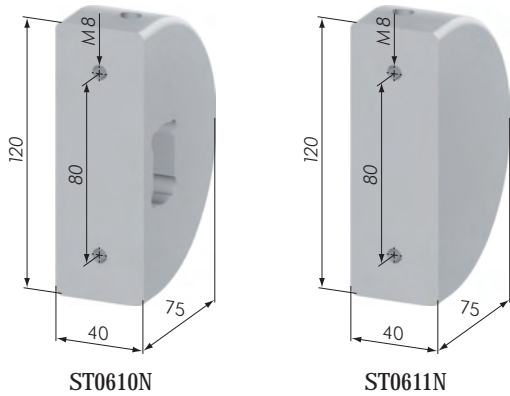
**Belt Conveyor With Drum Motor**

The belt conveyor framework is constructed from the standard range of *Paletti* profiles. Wood or aluminum sheet is used to support the conveyor belt. The conveyor belts are purchased to customer requirements. The drive rollers are ground to a conical finish.

A drum motor is used for the drive unit, so that power is transmitted directly to the conveyor belt which is tensioned by the non-powered return unit as well as by two idler rollers.



*Superstructure of a belt conveyor with drum motor.*

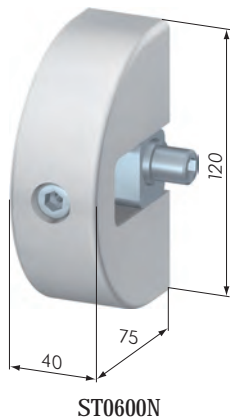


**40**

Drive Unit Admittance DM		
Part-No	Description	Weight
ST0610N	Drive Unit Admittance DM, left	
ST0611N	Drive Unit Admittance DM, right	

**Application:** For admitting of the drum motor.

**Material:** aluminum, natural anodized



**40**

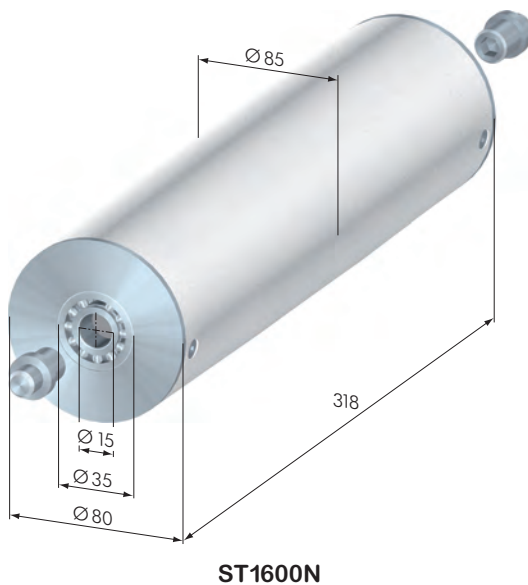
Return Unit DM		
Part-No	Description	Weight
ST0600N	Return Unit DM	

**Application:** For the admittance of the return roller Ø 85.

**Material:** aluminum, natural anodized

**Supply:**

- 2x return unit
- 2x clamping block
- 2x cap head screw, DIN 912



**40**

Return Roller Ø 85		
Part-No	Description	Weight
ST1600N	Return Roller Ø 85	

**Application:** Return roller for belt conveyor systems with drum motor.

**Material:** aluminum, natural anodized; with a conical finish

**Supply:**

- 1x return roller
- 2x compensating bearing, DIN 630
- 2x axle journal; steel, zinc-plated



saw back stop  
with electronic positioning control

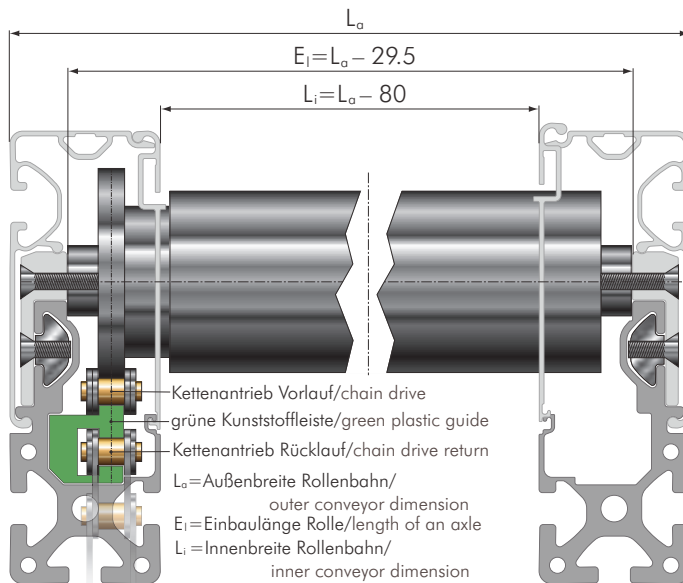


driven roller conveyor  
with pneumatic positioner



### Driven Roller Conveyor

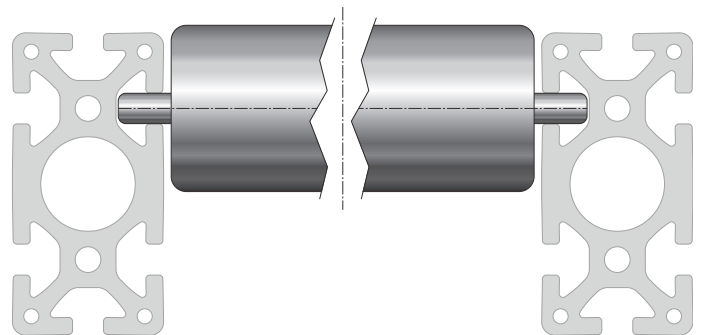
For driven roller conveyors, *Paletti* produces a specific profile, which consists of four individual profiles that when clipped together add up to a complete roller conveyor profile.



Superstructure of a driven roller conveyor. The rollers are powered by a drive chain.

### Non-Driven Conveyor

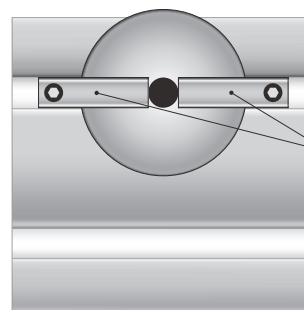
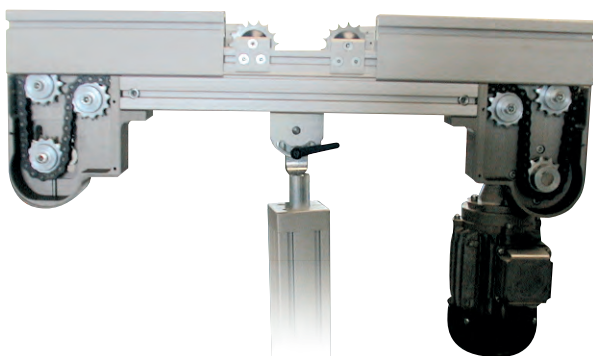
With the wide range of *Paletti* standard systems, in conjunction with some additional systems, any conveyor or transport job can be accomplished.



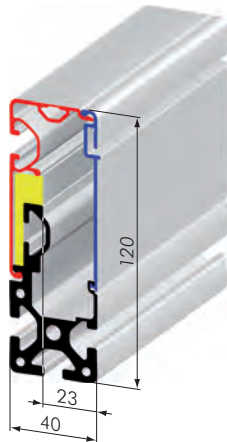
Superstructure of a non-driven roller conveyor. The fixation of the roller axle occurs via t-nuts with grub screw.

chain tensioner

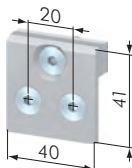
drive unit



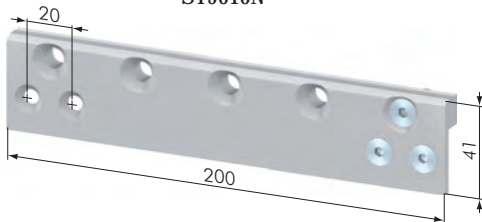
Nutensteine  
mit Madenschraube/  
t-nuts with grub screw



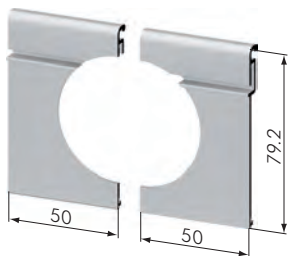
SP0801N



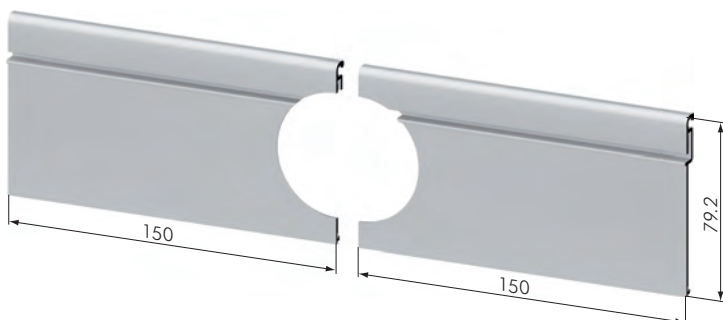
ST5010N



ST5012N



ST5000N



ST5002N



**Roller Conveyor Profile**

Part-No	Description	Weight
SP0801N	Roller Conveyor Profile, natural	4,11 kg/m
	Roller Conveyor Support Profile, natural	2,33 kg/m
	Roller Conveyor Wall Profile, natural	0,39 kg/m
	Roller Conveyor Housing Profile, natural	0,66 kg/m
	Roller Conveyor Cover Profile, natural	0,73 kg/m

**Application:** Powered roller conveyor.

**Material:** aluminum, natural anodized



**Roller Fastening Sets**

Part-No	Description	Weight
ST5010N	Roller Fastening Set 40	47 g
ST5012N	Roller Fastening Set 200	138 g

**Application:** The roller fastening set is used to fasten the load-bearing rollers onto the roller conveyor profile.

**Material:** aluminum, natural anodized

**Supply:** special t-nuts and screws



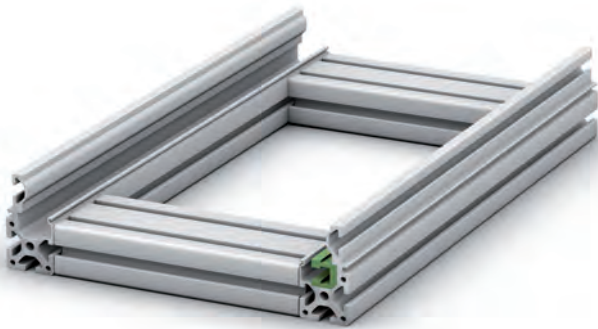
**Roller Protective Covers**

Part-No	Description	Weight
ST5000N	Roller Protective Cover 80 / 50	14,4 g
ST5002N	Roller Protective Cover 80 / 150	118,5 g

**Application:** For the protection of the conveyor chain drive from dirt and dust.

**Material:** aluminum, natural anodized

**Supply:** One roller uses one left and one right cover.



The roller conveyor profile comprises of four separate profiles that when clipped together make one profile. The support profile forms the frame onto which all the other profiles are attached. Roller conveyors are quickly assembled using *Paletti* clip technology. They can also be quickly disassembled or changed even when they are part of a larger structure or machine installation.

The inside edge cover profile closes the chain drive and roller sprockets from conveyed products and also provides operator safety from moving parts. The profiles use the same clip technology as the other profiles. The protective cover set 80/50 consists of two short profiles 50 mm long. The protective cover set 80/150 consists of two longer profiles 150 mm long. Customer specific protective cover profiles are available on request.

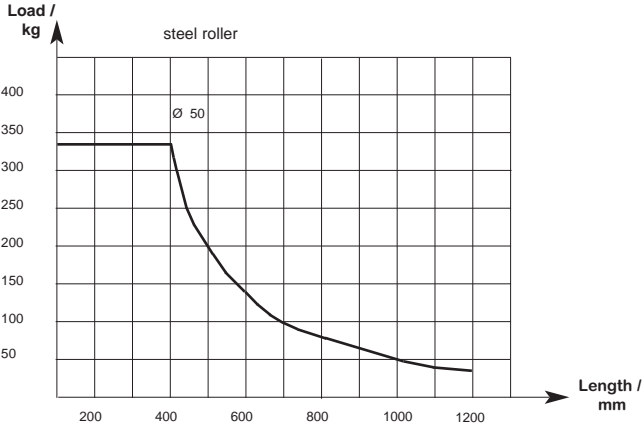
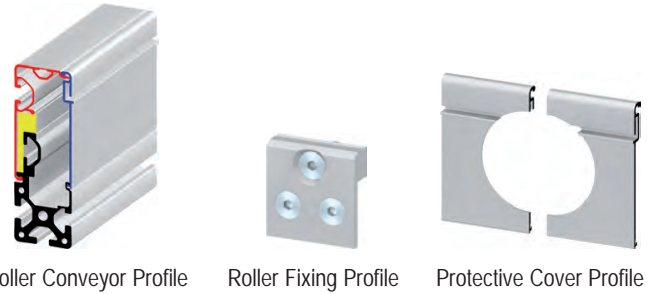
The roller fixing profile is attached to support profile using screws and t-nuts. The roller fixing profile 40 is intended for one roller. *Paletti* also supplies the roller fixing profile in larger lengths to accommodate positions of rollers at customer specified distances. The cover profile closes the support and roller attachment profiles and protects operators from moving parts while inhibiting dirt accumulation.



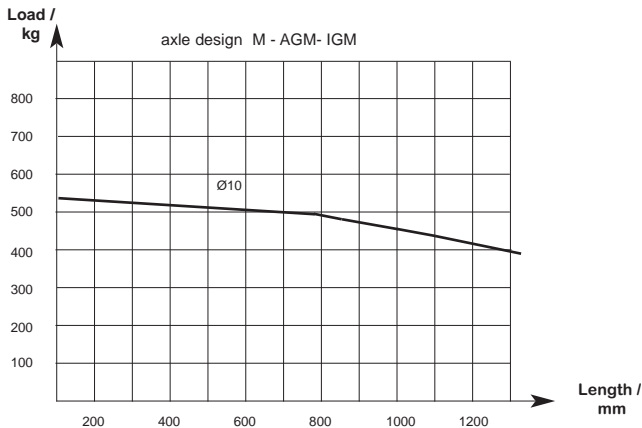
**System Components**

The (driven) roller conveyor consists of the roller conveyor profile SP0801N, the roller protective cover (chain drive), conveyor housing and load-bearing roller with chain wheel.

The processing speed averages  $V_{max} = 1,2 \text{ m/s}$ .



static load-bearing capacity: steel roller



static load-bearing capacity: axle

**Load-Bearing Capacity**

The diagrams only apply to a static surface load, for a point loading at bearing locations, the surface loading values apply. For middle loading, the values taken have to be multiplied by 0.6.

The load-bearing capacity of the bearings used is 100 kg.

The bearing tolerances in the roller and axle must be added when calculating loadings.



**Technical Details**

The weight per meter of the used roller – Ø 50 x 1.5 wall thickness – averages 1.794 kg. The Ø 10 mm steel roller is made of 9S20K (steel) and is galvanically zinc-plated and has an internal thread M 6 x 10. The advantages of the used roller are high strength, temperature, and cleaning qualities. The material is also resistant to UV radiation, oil, grease, petrol and other chemicals.

**Load-Bearing Roller User Conditions**

There must always be a minimum of three axles per static load. For middle or two-point loading, the values have to be multiplied by a factor of 0.6. The load-bearing capacity averages 100 kg per roller. The load bearing roller is provided with a chain wheel 1/2" x 5/16" for the fixed drive chain.



**Desk With Monitor Support**

- made from curved and table profiles with inlaid polished work surfaces



**Desk**

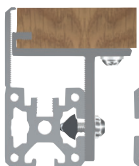
- made from closed profiles
- chrome-plated
- glass work surface and shelf

You can create many different designs for work and laboratory furniture from the extensive range of *Paletti* profiles. Let the *Paletti* team and its distributors help you design your own custom and ergonomic furniture systems to suit most working environments.



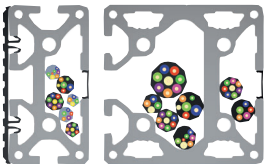
**File**

- made from 30 x 30 R90 profiles and aluminium sheet material (Alucobond®)



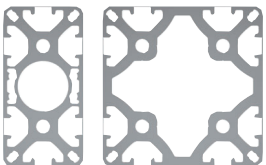
**Table Profiles**

For bordering the work surface.



**Open Profiles**

Suitable for attaching as table legs. Inner chambers can be filled with cables. The t-slots are closed by cover profiles.



**Tear-Off Profiles**

Completely closed t-slots which can be easily torn-off for attaching of profiles.



**Closed Profiles**

For manufacturing of round columns or curved corners.



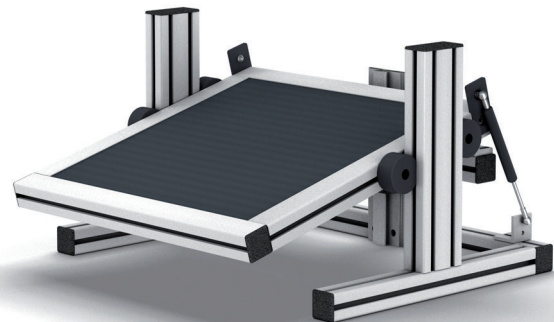
#### Laboratory Furniture

- made from standard profiles
- back structure made from R 40 / 80 45° profile
- canopy with halogen overhead lights
- constructed from 40 x 40 corner profile
- using central fastener miter connector
- electricity for compressed air is supplied via ducting profile 80 x 80
- beech work surface inlaid table profiles
- Alucobond® panels supported in the profile t-slots
- shelves can be integrated into the design of furniture
- computer shelves can be integrated into the design of furniture



#### Work Bench

- manufactured from closed profiles
- solid work surface with integral foot support



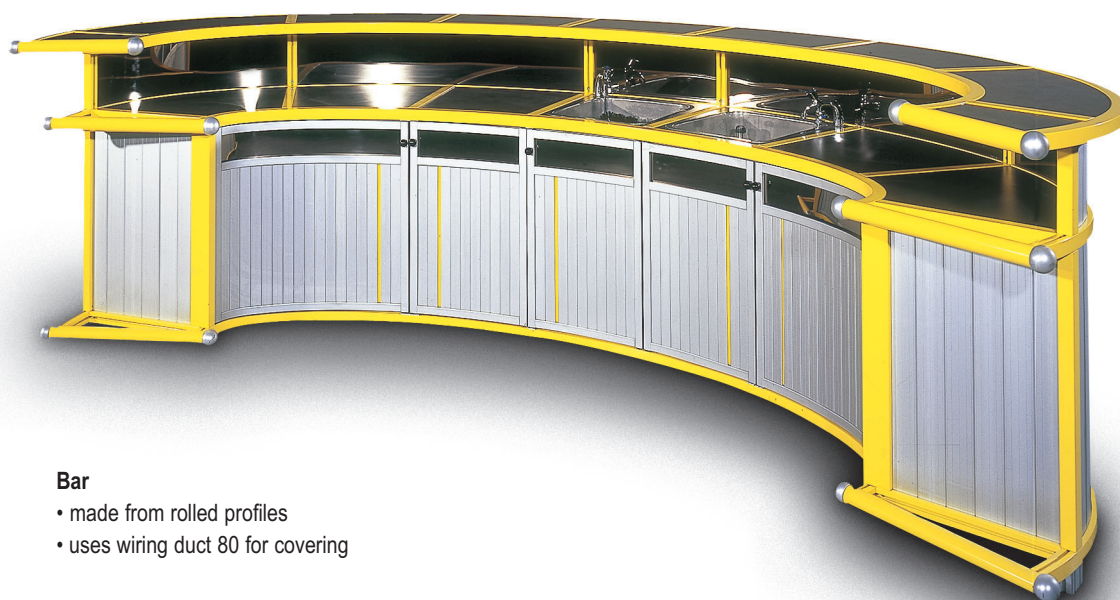
#### Foot Support

- manufactured from standard profiles
- adjustable via recirculating ball slide and gas pressure dampers
- foot support features a beech plywood surface and is covered with a non-slip and 40 x 40 profile finish

#### Operation

To change height apply light upward pressure to the foot platform; the gas pressure dampers lift the ball slide. To lower the foot platform slightly raise the front edge and push down the back edge with the other foot; the foot support lowers to the required position.





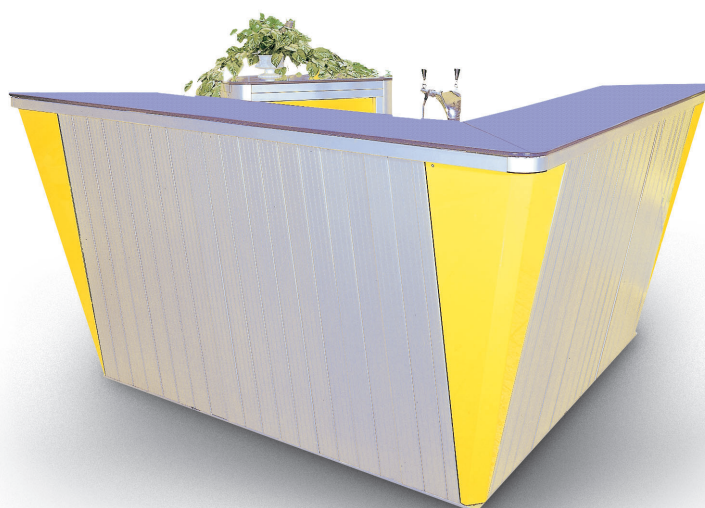
**Bar**

- made from rolled profiles
- uses wiring duct 80 for covering



**Bar Stools**

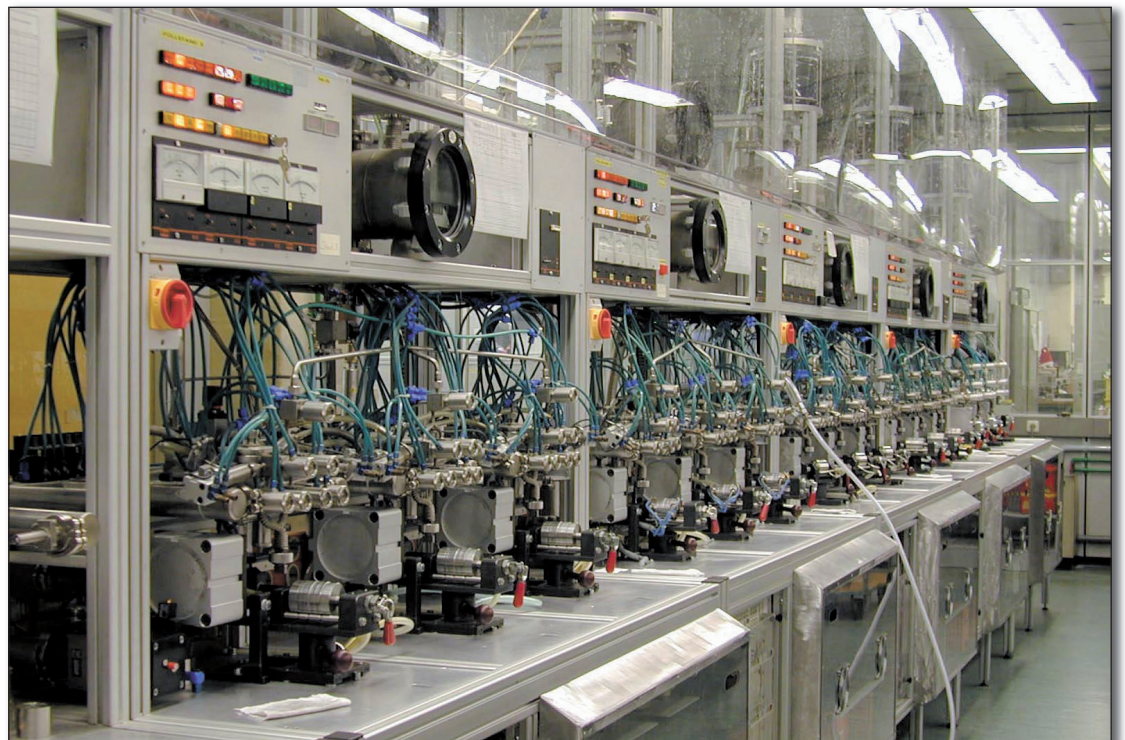
- made from rolled profiles

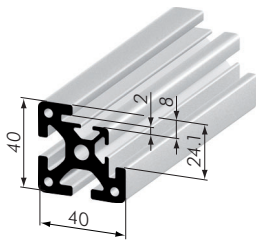


**Delta Bar**

- cellulose sheet table top
- shelves made from aluminum sheets and wiring duct 80







SP7001N



**Table Profiles 40 x 40**

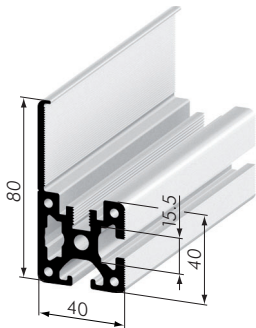
Part No	Description	Length	Weight
SP7001N	Table Profile 40 x 40	cut	2.02 kg/m
SP7000N3000	Table Profile 40 x 40	3000 mm	2.02 m
SP7000N6000	Table Profile 40 x 40	6000 mm	12.12 m

**Application:** Suitable for constructing work benches and laboratory work stations.

**Material:** aluminum, natural anodized



The standard table profile has a central mini t-slot to take standard mini t-nuts. M4 / M5. 8 mm sheet material can be laid on top of the mini t-slot and fastened directly into t-nuts. 2 mm sheet material can be slid into the slot adjacent to the groove and fastened via mini t-nuts.



SP2501N

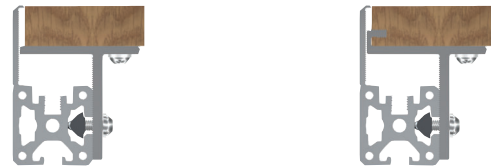


**Table Profiles 40 x 80**

Part No	Description	Length	Weight
SP2501N	Table Profile 40 x 80	cut	2.61 kg/m
SP2500N3000	Table Profile 40 x 80	3000 mm	7.82 m
SP2500N6000	Table Profile 40 x 80	6000 mm	15.63 m

**Application:** Suitable for constructing work benches and laboratory work stations.

**Material:** aluminum, natural anodized



non-grooved

grooved

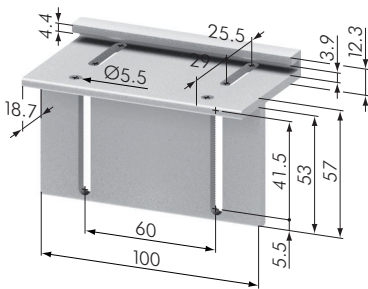
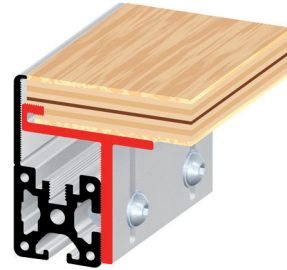
The long front face of the table profile is designed to enclose the work surface edge and eliminate the need for expensive edge preparation. An important feature of this profile is the thin front face that does not detract from the color or decorative face of the work surface. The work surface is supported off an angle profile with or without grip grooves and fastened to the table profile by screws and t-nuts as shown in the illustration above. The table profiles are cut at an angle of 45 degrees and are fastened together using the miter connector SV1901V.

**Support Angles, grooved**

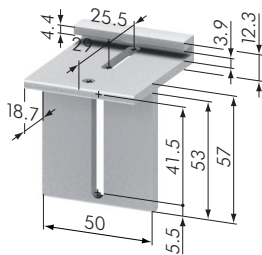
Part No	Description	Weight
SZ5200N	Support Angle 100 grooved, 12 - 23 mm	136.2 g
SZ5201N	Support Angle 50 grooved, 12 - 23 mm	68.0 g
SZ5202N	Support Angle 100 grooved, 24 - 35 mm	120.0 g
SZ5203N	Support Angle 50 grooved, 24 - 35 mm	68.2 g

**Application:** Suitable for connecting **grooved** table / work tops (of varying thicknesses) to profiles.

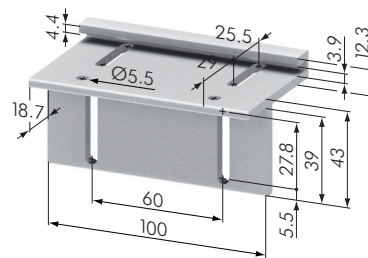
**Material:** aluminum, natural anodized



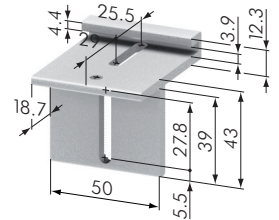
SZ5200N



SZ5201N



SZ5202N



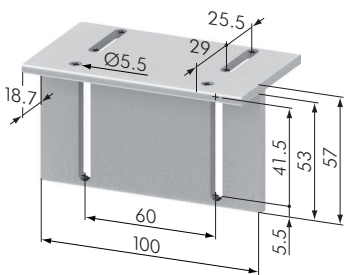
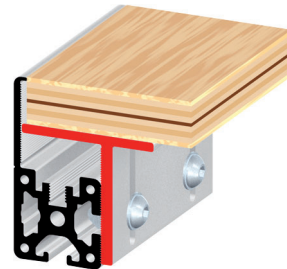
SZ5203N

**Support Angles, non-grooved**

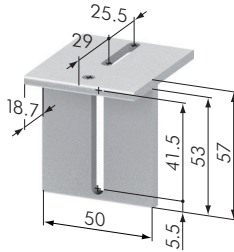
Part No	Description	Weight
SZ5210N	Support Angle 100, 12 - 23 mm	124 g
SZ5211N	Support Angle 50, 12 - 23 mm	61 g
SZ5212N	Support Angle 100, 24 - 35 mm	106 g
SZ5213N	Support Angle 50, 24 - 35 mm	53 g

**Application:** Suitable for connecting **non-grooved** table / work tops (of varying thicknesses) to profiles.

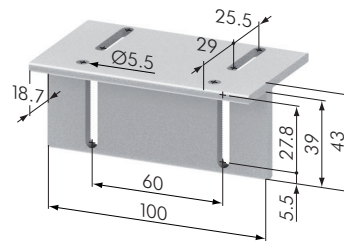
**Material:** aluminum, natural anodized



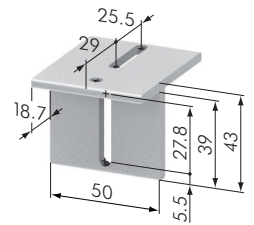
SZ5210N



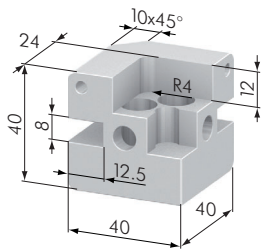
SZ5211N



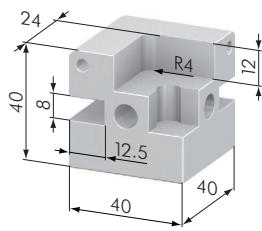
SZ5212N



SZ5213N



**SZ5040N**



**SZ5042N**



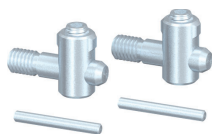
**Table Corners**

Part No	Description	Weight
SZ5040N	Table Corner 45°	103 g
SZ5042N	Table Corner	121 g
SZ5180N	Fixing Set For Table Corner 45°	66 g
SZ5182N	Fixing Set For Table Corner	44 g

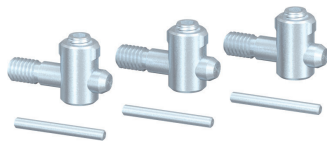
**Application:** Corner connection for tables and racks, etc.

**Material:** aluminum, natural anodized

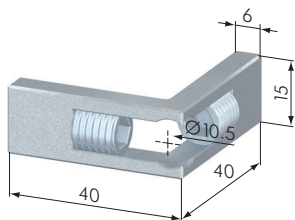
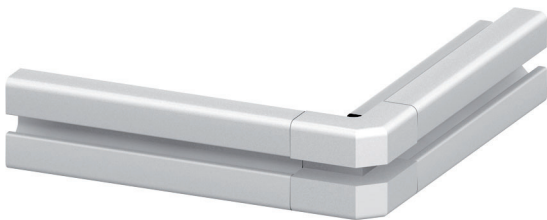
**Accessories:** • fixing set SZ5180V for SZ5040N  
• fixing set SZ5182V for SZ5042N



**SZ5080V**



**SZ5082V**



**SV1901V**



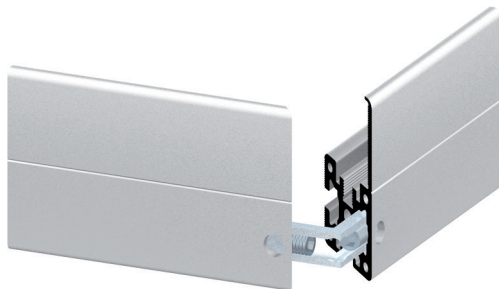
**Miter Connector 40 90°**

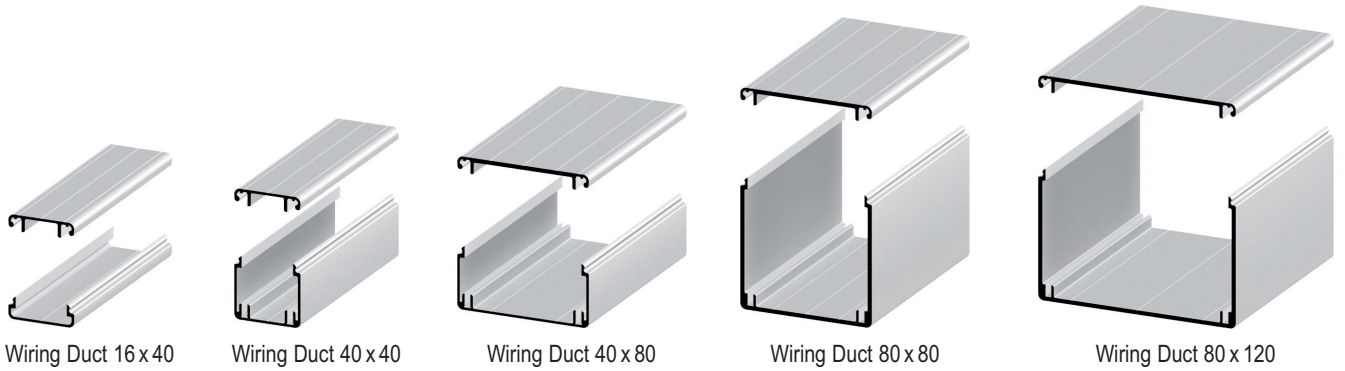
Part No	Description	Weight
SZ1901V	Miter Connector 40 90°	49 g

**Application:** For right angled joining of table profiles.

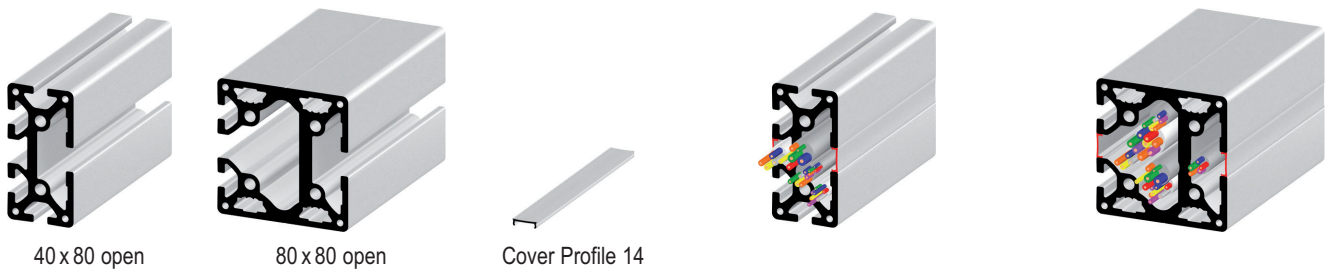
**Material:** steel, zinc-plated

**Supply:** • 2x grub screw M 10 x 16





Wiring Ducts



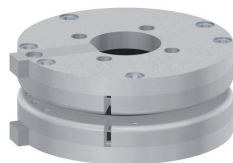
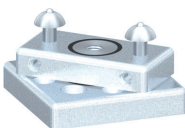
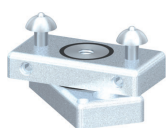
Open Profiles



Cable Joints



Turntable Sets 40



Turntable 40

Turntable 80

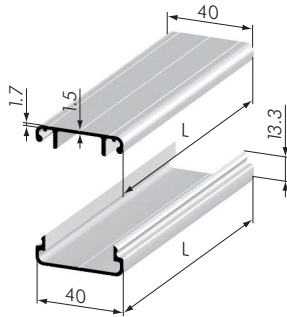
Turntable 80, open



Turntable Sets 80

Turntables

Turntable Sets



SP1300N / SP1370N

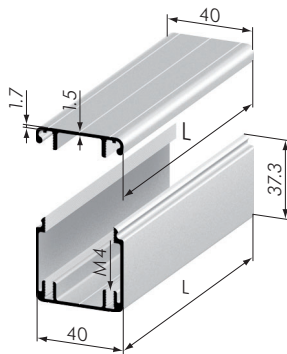


**Wiring Duct 16 x 40**

Part No	Description	Length	Weight
SP1300N3000	Wiring Duct 16 x 40, natural	3000 mm	0.84 kg
SP1300N6000	Wiring Duct 16 x 40, natural	6000 mm	1.68 kg
SP1301N	Wiring Duct 16 x 40, natural	cut	0.28 kg/m
SP1370N3000	Wiring Duct Cover 40, natural	3000 mm	0.94 kg
SP1370N6000	Wiring Duct Cover 40, natural	6000 mm	1.88 kg
SP1371N	Wiring Duct Cover 40, natural	cut	0.31 kg/m

Application: Comprises wiring duct 16 x 40 and wiring duct cover 40.

Acc.: SZ0053S: wiring duct cap 16 x 40  
DK7981040090: metal screws DIN 7981, ST 4,2x9,5



SP1310N / SP1370N

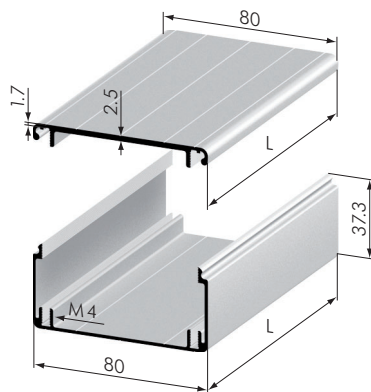


**Wiring Duct 40 x 40**

Part No	Description	Length	Weight
SP1310N3000	Wiring Duct 40 x 40, natural	3000 mm	1.85 kg
SP1310N6000	Wiring Duct 40 x 40, natural	6000 mm	3.70 kg
SP1311N	Wiring Duct 40 x 40, natural	cut	0.62 kg/m
SP1370N3000	Wiring Duct Cover 40, natural	3000 mm	0.94 kg
SP1370N6000	Wiring Duct Cover 40, natural	6000 mm	1.88 kg
SP1371N	Wiring Duct Cover 40, natural	cut	0.31 kg/m

Application: Comprises wiring duct 40 x 40 and wiring duct cover 40.

Acc.: SZ0050S: wiring duct cap 40 x 40  
DK7981040090: metal screws DIN 7981, ST 4.2 x 9.5



SP1320N / SP1380N



**Wiring Duct 40 x 80**

Part No	Description	Length	Weight
SP1320N3000	Wiring Duct 40 x 80, natural	3000 mm	2.34 kg
SP1320N6000	Wiring Duct 40 x 80, natural	6000 mm	4.68 kg
SP1321N	Wiring Duct 40 x 80, natural	cut	0.78 kg/m
SP1380N3000	Wiring Duct Cover 80, natural	3000 mm	1.28 kg
SP1380N6000	Wiring Duct Cover 80, natural	6000 mm	2.55 kg
SP1381N	Wiring Duct Cover 80, natural	cut	0.64 kg/m

Application: Comprises wiring duct 40 x 80 and wiring duct cover 80.

Acc.: SZ0051S: wiring duct cap 40 x 80  
DK7981040090: metal screws DIN 7981, ST 4.2 x 9.5

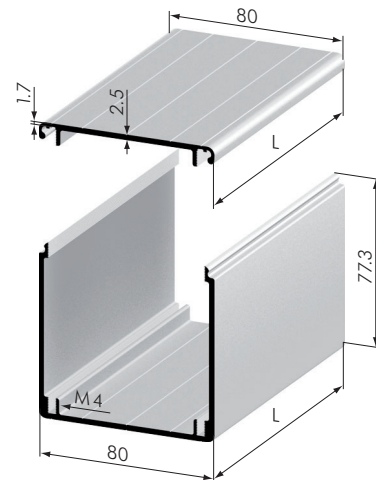


**Wiring Duct 80 x 80**

Part No	Description	Length	Weight
SP1330N3000	Wiring Duct 80 x 80, natural	3000 mm	4.97 kg
SP1330N6000	Wiring Duct 80 x 80, natural	6000 mm	9.94 kg
SP1331N	Wiring Duct 80 x 80, natural	cut	1.66 kg/m
SP1380N3000	Wiring Duct Cover 80, natural	3000 mm	1.28 kg
SP1380N6000	Wiring Duct Cover 80, natural	6000 mm	2.55 kg
SP1381N	Wiring Duct Cover 80, natural	cut	0.64 kg/m

Application: Comprises wiring duct 80 x 80 and wiring duct cover 80.

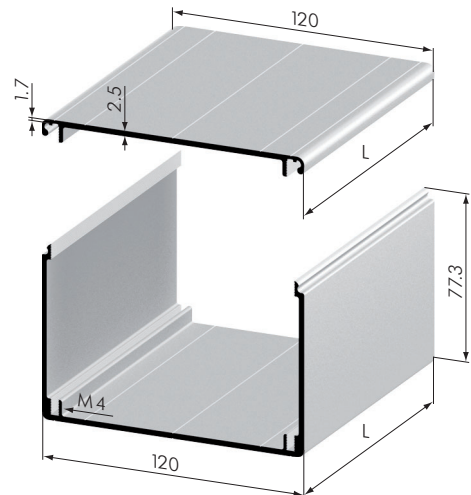
Acc.: SZ0052S: wiring duct cap 80 x 80  
DK7981040090: metal screws DIN 7981, ST 4.2 x 9.5

**40**

**SP1330N / SP1380N**
**Wiring Duct 80 x 120**

Part No	Description	Length	Weight
SP1340N3000	Wiring Duct 80 x 120, natural	3000 mm	5.79 kg
SP1340N6000	Wiring Duct 80 x 120, natural	6000 mm	11.58 kg
SP1341N	Wiring Duct 80 x 120, natural	cut	1.93 kg/m
SP1390N3000	Wiring Duct Cover 120, natural	3000 mm	2.73 kg
SP1390N6000	Wiring Duct Cover 120, natural	6000 mm	5.46 kg
SP1391N	Wiring Duct Cover 120, natural	cut	0.98 kg/m

Application: Comprises wiring duct 80 x 120 and wiring duct cover 120.

Acc.: SZ0055S: wiring duct cap 80 x 120  
DK7981040090: metal screws DIN 7981, ST 4.2 x 9.5

**40**

**SP1340N / SP1390N**



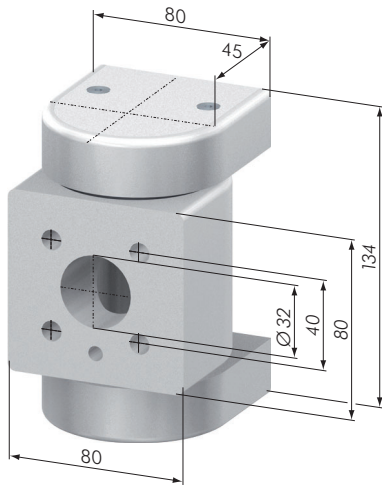
**Cable Joints**

Part No	Description	Weight
SA5200N	Cable Joint 80, natural	1.87 kg
SA5200S	Cable Joint 80, black	1.87 kg
SZ1720V	Fixing Set For Cable Joints	

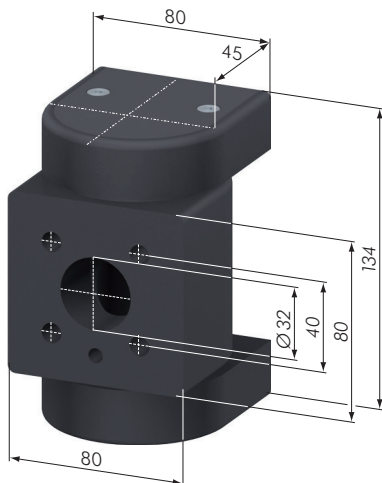
**Application:** Together with the cable arm, the cable joint forms an ideal unit for running electrical data or control cables from switch box/control cabinets to the control desk. The cable runs entirely in the profile, providing the best possible protection to the cables.

**Material:** aluminum, natural or black anodized

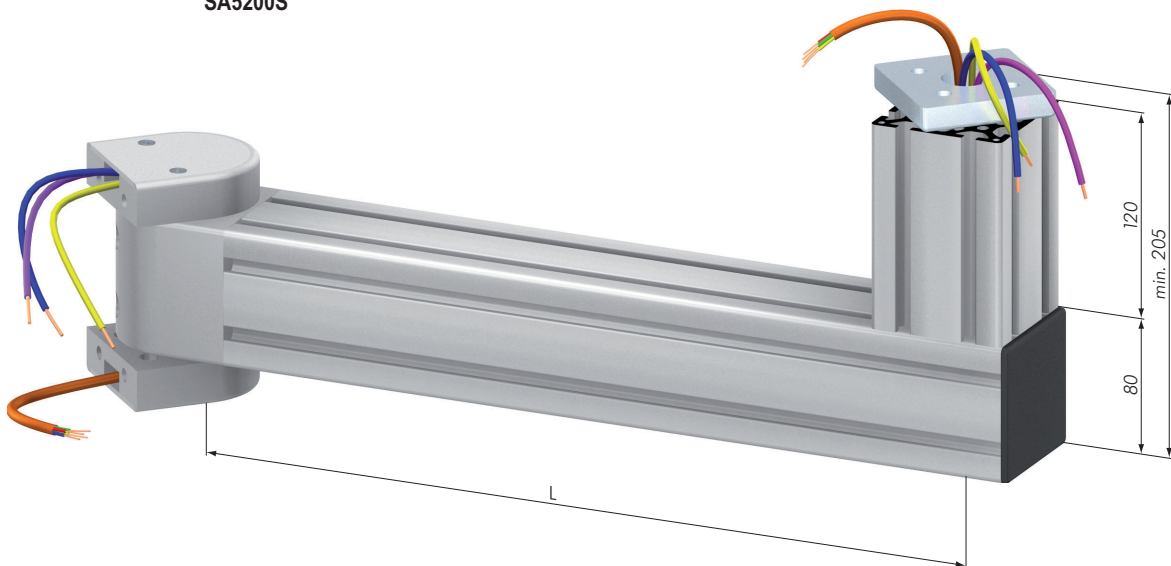
**Acc.:** SZ1720V: • 4x cap head screw M 8 x 70, DIN 912  
 • 4x central fastener 40 EQ



SA5200N



SA5200S

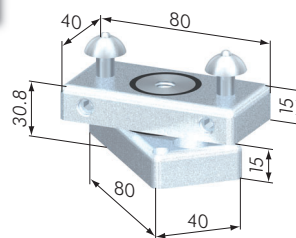


**Turntables**

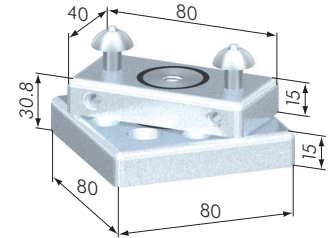
Part No	Description	Weight
SA5225N	Turntable 40	1.03 kg
SA5215N	Turntable 80	1.03 kg
SA5250N	Turntable 80, open	0.99 kg

**Application:** The turntables are used to construct moving swivel arms. The turntable 80 allows for cable runs in the *Paletti* open profiles to enter the turntable through the core hole.

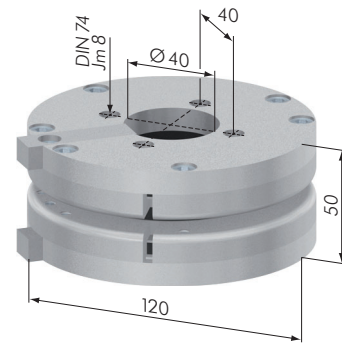
**Material:**  
 turntable 40: steel, zinc-plated  
 turntable 80: steel, zinc-plated  
 turntable 80, open: aluminum, natural anodized  
 glide bearing: plastic



SA5225N



SA5215N



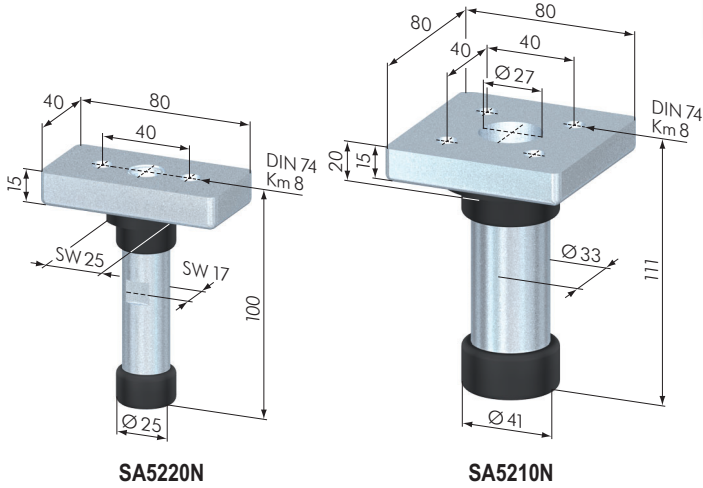
SA5250N



Turntable Sets		
Part No	Description	Weight
SA5220N	Turntable Set 40, natural	474 g
SA5220S	Turntable Set 40, black	474 g
SA5210N	Turntable Set 80, natural	800 g
SA5210S	Turntable Set 80, black	800 g

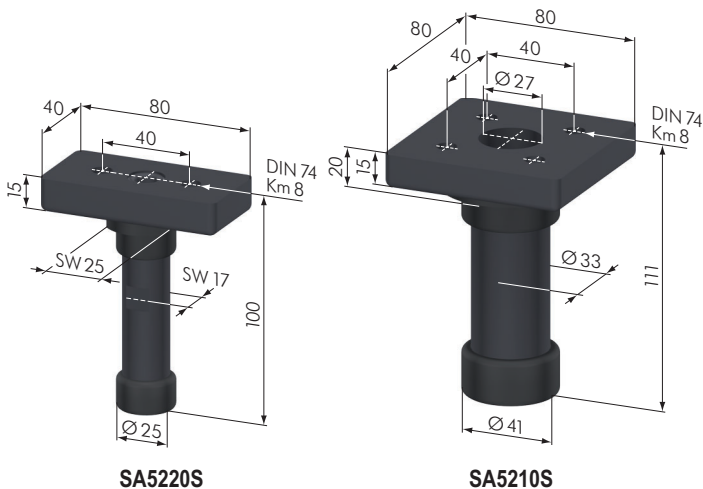
**Application:** The turntable set forms an ideal unit for creating swivel arms for monitors, control desks, etc. The turntable set 80 is installed in a section of profile 80 x 80 round, 120 mm long, and is supplied complete.

**Material:** steel, zinc-plated or zinc-plated black  
POM, black



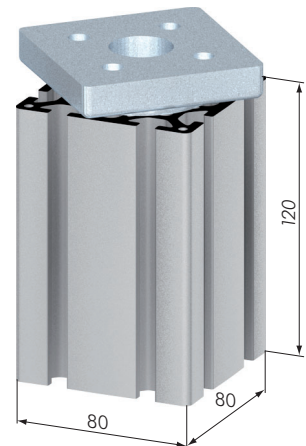
SA5220N

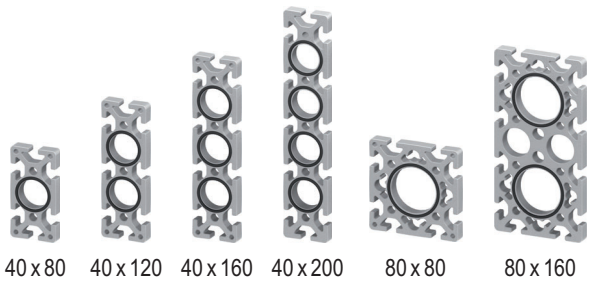
SA5210N



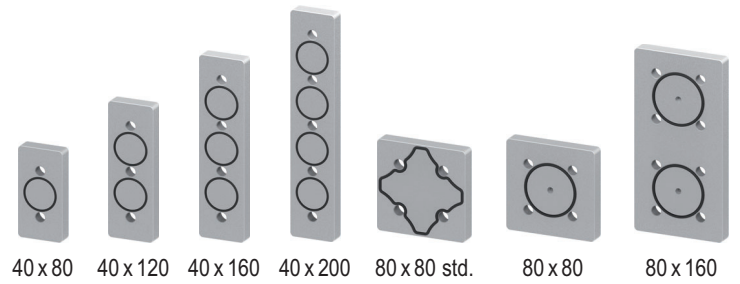
SA5220S

SA5210S

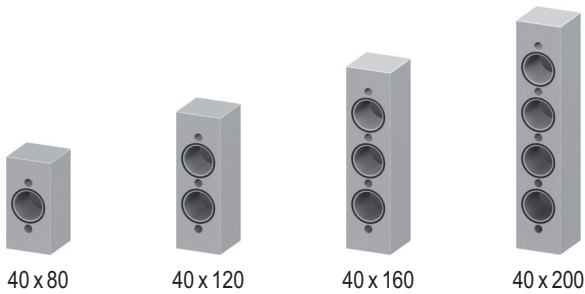




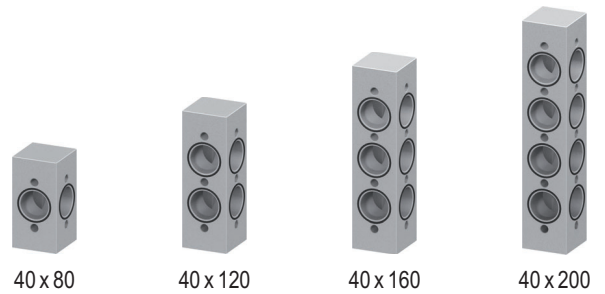
**Pneumatic Joining Plates**



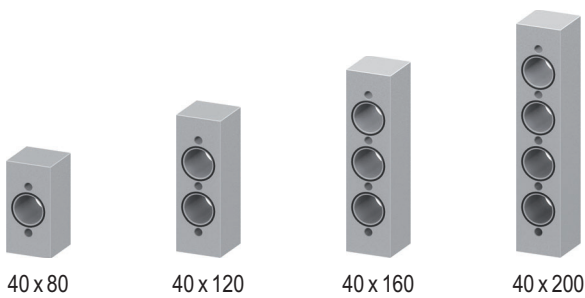
**Pneumatic End Plates**



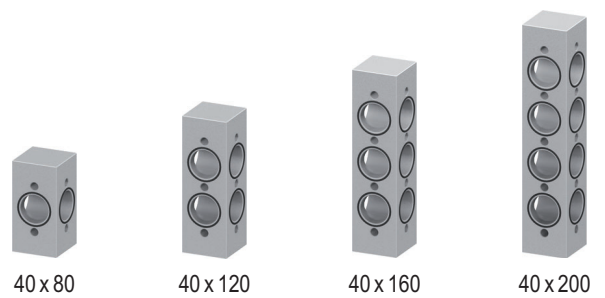
**Pneumatic End Connectors**



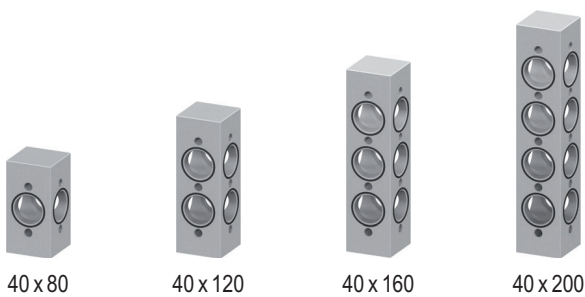
**Pneumatic Corner Connectors**



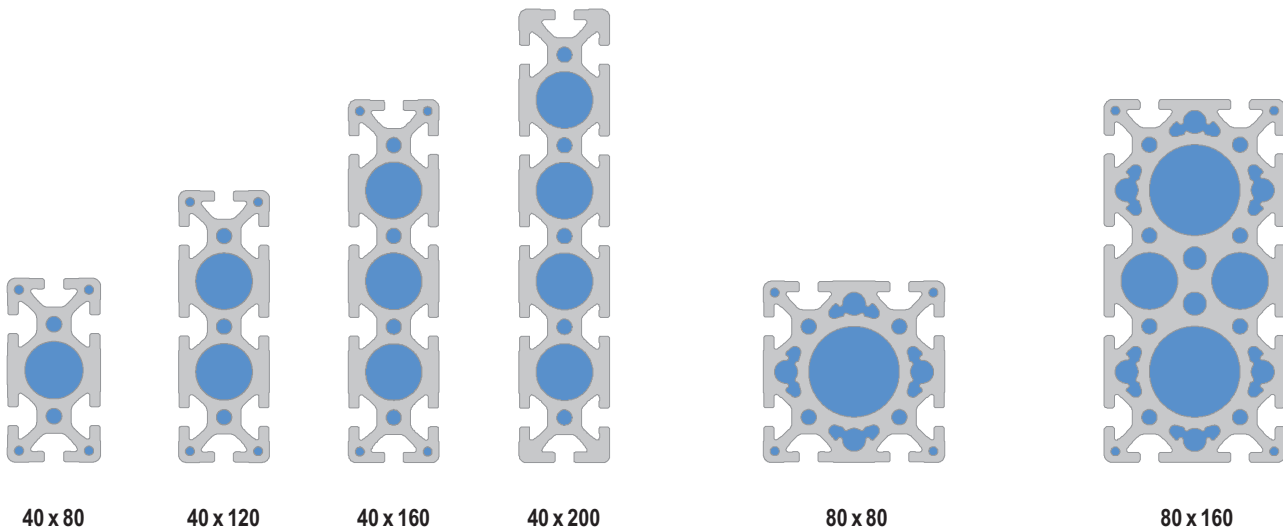
**Pneumatic Joining Connectors**



**Pneumatic T-Connectors**



**Pneumatic Cross Connectors**



40 x 80

40 x 120

40 x 160

40 x 200

80 x 80

80 x 160

### Pneumatic Profile Connectors

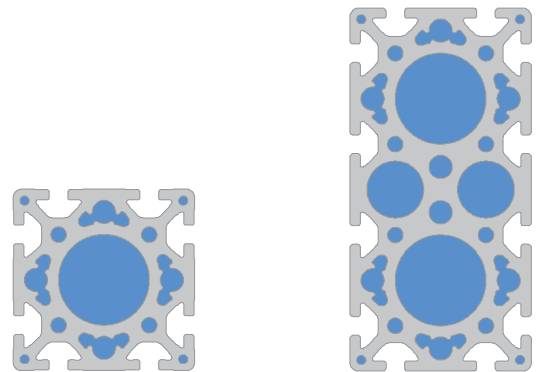
*Paletti* standard profiles can be used as air lines in machines, structures, and guarding in manufacturing areas. 40 x 80 up to 40 x 200 profiles are the most suitable for pneumatic systems. The smooth central core hole in the profiles creates a stable air supply without turbulence. The wall thickness of the profile can be tapped to accept pneumatic fittings. A 1" pneumatic fitting can be fixed directly into the Ø25 mm center hole.

The different chambers in the profiles can be used for various purposes. Dry or oiled air can be run independently through the larger chambers. The Ø6.8 mm holes can be used to route wiring, while the Ø4 mm holes are used for attaching adapter plates to the ends of the profile. The pneumatic profile connectors give the designer the advantage of designing complex air and/or vacuum systems in many types of machine frames or structures.

These connecting profiles use the proven *Paletti* central fastener system for extending or attaching profiles to each other to produce air line runs. O-rings between the profiles ensure that the air is sealed.

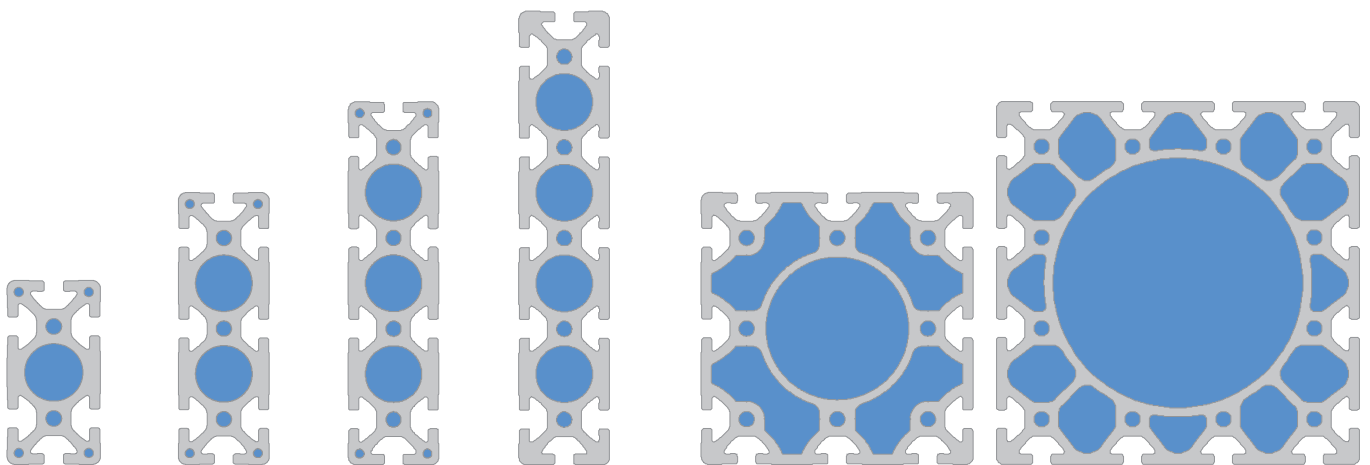
80 x 80 and 80 x 160 profiles are suitable to high volume compressed air or vacuum systems. These profiles have a high degree of structural integrity and can be used to support such things as lighting and electrical ductwork as a result.

The 80 x 160 profile can be used for both compressed air and vacuum systems simultaneously due to its two large internal cavities.



80 x 80

80 x 160



40 x 80

40 x 120

40 x 160

40 x 200

120 x 120

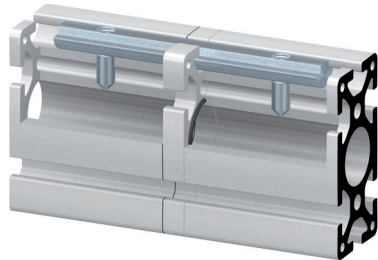
160 x 160

### Flat Gaskets

A flat gasket can also be supplied that encompasses all of the bore holes of the profiles 40 x 80 up to 40 x 200. Flat gaskets can also be supplied for 80 x 80, 80x160, 120 x 120, and 160 x 160 profiles allowing them to be used for high volume compressed air. The connection of the profiles occurs via the central fastener system.

Due to the elasticity of the gasket material, the seal may become compressed shortly after the initial installation. Therefore, the fasteners should be checked and tightened if necessary after one day.

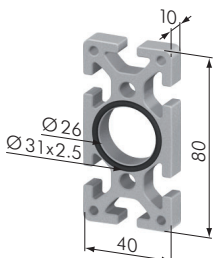
**40**



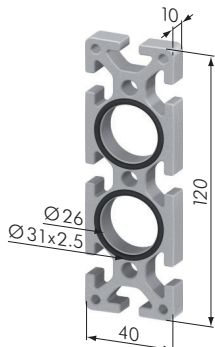
Pneumatic Joining Plates		
Part No	Description	Weight
SD0102N	Pneumatic Joining Plate 40 x 80	41 g
SD0103N	Pneumatic Joining Plate 40 x 120	58 g
SD0104N	Pneumatic Joining Plate 40 x 160	76 g
SD0105N	Pneumatic Joining Plate 40 x 200	95 g
SD0112N	Pneumatic Joining Plate 80 x 80	78 g
SD0114N	Pneumatic Joining Plate 80 x 160	159 g

**Application:** When the profile is used as a compressed air line the joint plate is used to seal the two profiles. The pneumatic joining plate is held in position by the fastening system (SV3500V).

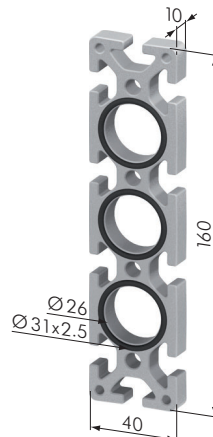
**Material:** aluminum block with O-ring seal



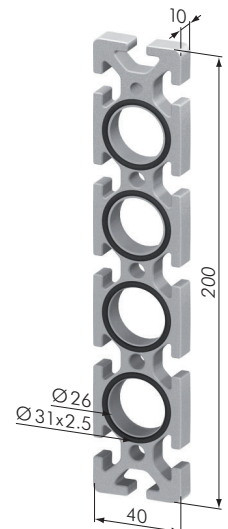
**SD0102N**



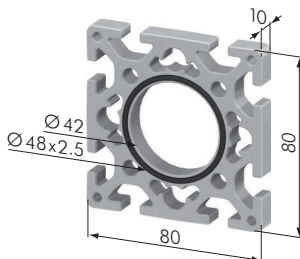
**SD0103N**



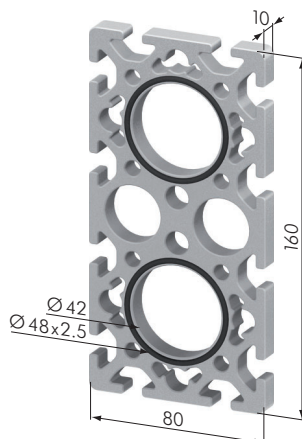
**SD0104N**



**SD0105N**



**SD0112N**



**SD0114N**



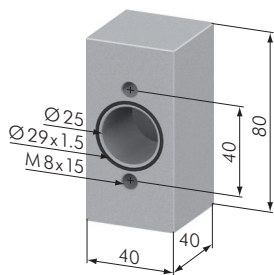
**Pneumatic End Connectors 40**



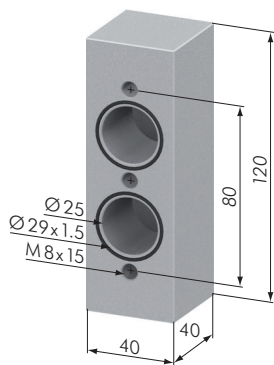
Part No	Description	Weight
SD0202N	Pneumatic End Connector 40 x 80	305 g
SD0203N	Pneumatic End Connector 40 x 120	442 g
SD0204N	Pneumatic End Connector 40 x 160	579 g
SD0205N	Pneumatic End Connector 40 x 200	715 g

**Application:** Used as an end connector for compressed air lines. The 40 mm thickness enables air line connections to be made on the side of the end connector. The end connector is fixed to the profile using central fastener 40 G (SV1071V).

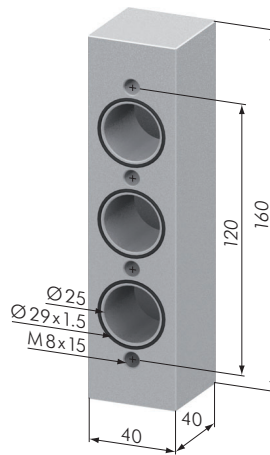
**Material:** aluminum block with O-ring seal



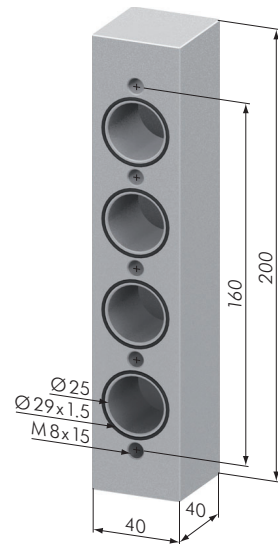
SD0202N



SD0203N



SD0204N



SD0205N

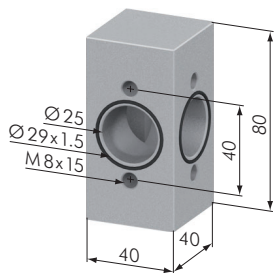
**Pneumatic Corner Connectors 40**



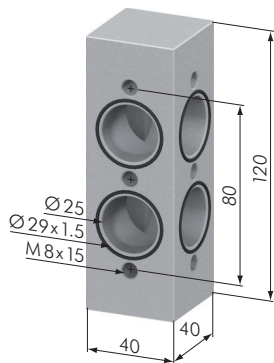
Part No	Description	Weight
SD0142N	Pneumatic Corner Connector 40 x 80	281 g
SD0143N	Pneumatic Corner Connector 40 x 120	396 g
SD0144N	Pneumatic Corner Connector 40 x 160	506 g
SD0145N	Pneumatic Corner Connector 40 x 200	634 g

**Application:** Right angled connection for compressed air lines. The corner connector is attached to the profile using central fastener 40 G (SV1071V).

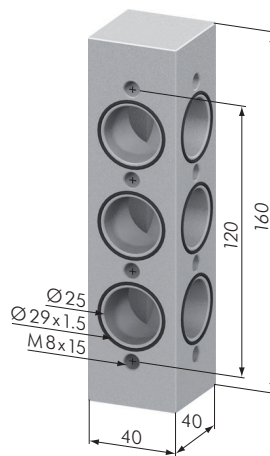
**Material:** aluminum block with O-ring seal



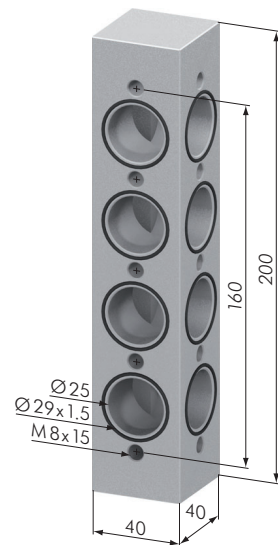
SD0142N



SD0143N



SD0144N



SD0145N

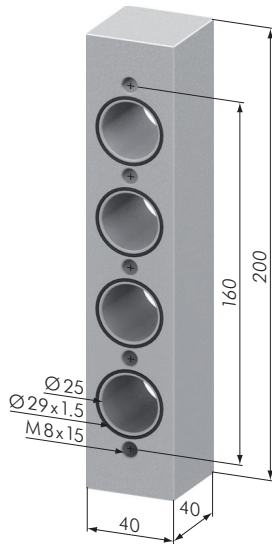


**Pneumatic Joining Connectors 40**

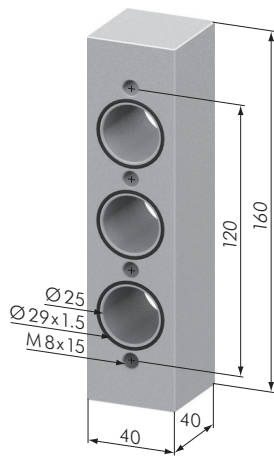
Part No	Description	Weight
SD0152N	Pneumatic Joining Connector 40 x 80	280 g
SD0153N	Pneumatic Joining Connector 40 x 120	396 g
SD0154N	Pneumatic Joining Connector 40 x 160	506 g
SD0155N	Pneumatic Joining Connector 40 x 200	634 g

**Application:** For sealing of two profiles in compressed air lines. The 40 mm thickness enables air line connections to be made on the side of the end connector. The end connector is fixed to the profile using central fasteners type G.

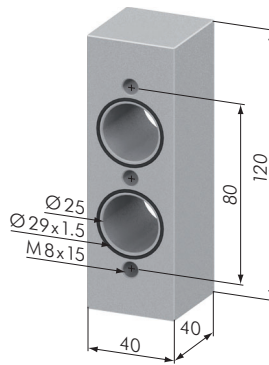
**Material:** aluminum block with O-ring seal



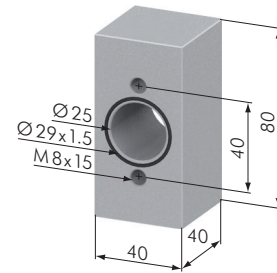
SD0155N



SD0154N



SD0153N



SD0152N

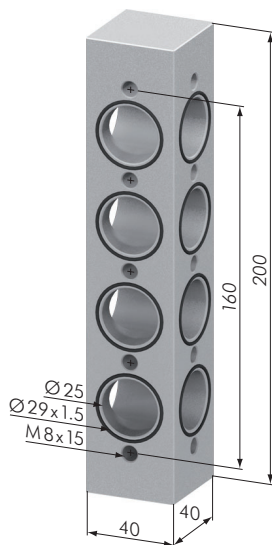


**Pneumatic T-Connectors 40**

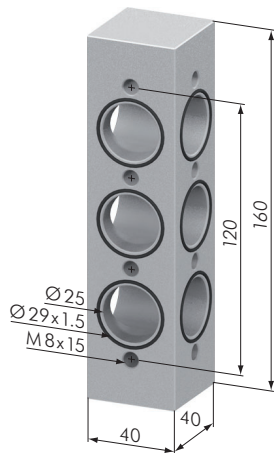
Part No	Description	Weight
SD0162N	Pneumatic T-Connector 40 x 80	270 g
SD0163N	Pneumatic T-Connector 40 x 120	360 g
SD0164N	Pneumatic T-Connector 40 x 160	454 g
SD0165N	Pneumatic T-Connector 40 x 200	575 g

**Application:** T-connector for compressed air lines. The t-connector is attached to the profiles using central fasteners type G.

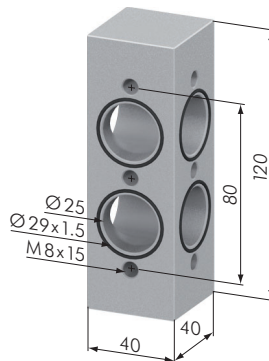
**Material:** aluminum block with O-ring seal



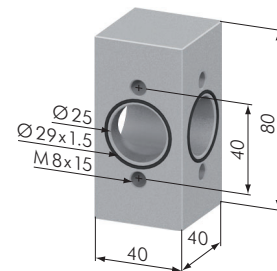
SD0165N



SD0164N



SD0163N



SD0162N

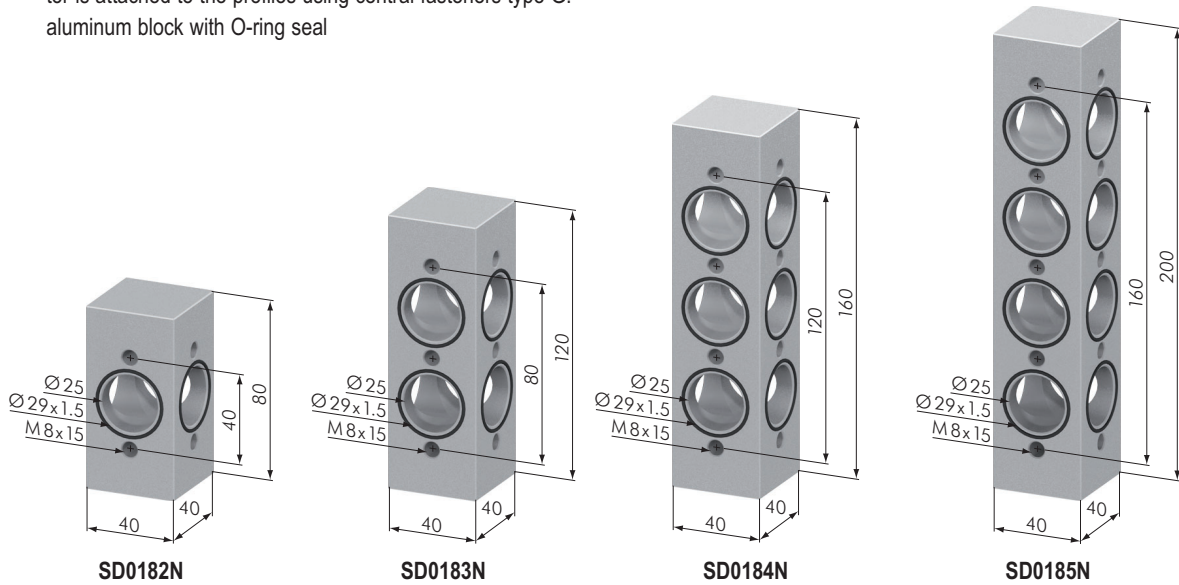


**Pneumatic Cross Connectors 40**

Part No	Description	Weight
SD0182N	Pneumatic Cross Connector 40 x 80	250 g
SD0183N	Pneumatic Cross Connector 40 x 120	327 g
SD0184N	Pneumatic Cross Connector 40 x 160	406 g
SD0185N	Pneumatic Cross Connector 40 x 200	503 g

**Application:** Cross-connector for compressed air lines. The cross connector is attached to the profiles using central fasteners type G.

**Material:** aluminum block with O-ring seal



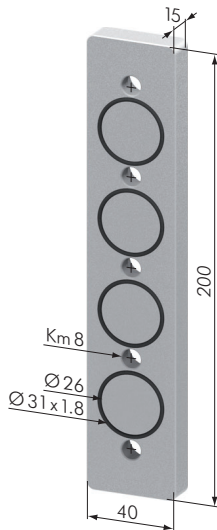
**40**

**Pneumatic End Plates 40**

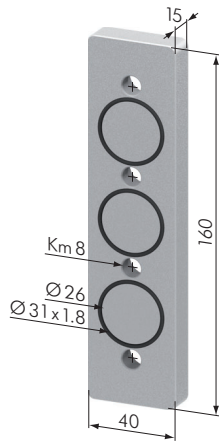
Part No	Description	Weight
SD0122N	Pneumatic End Plate 40 x 80	116 g
SD0123N	Pneumatic End Plate 40 x 120	157 g
SD0124N	Pneumatic End Plate 40 x 160	232 g
SD0125N	Pneumatic End Plate 40 x 200	290 g

**Application:** The pneumatic end plates cap the ends of compressed air lines. On request the end plates can be fitted with pneumatic fittings. The type of fittings required should be advised upon ordering.

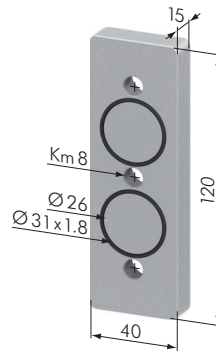
**Material:** aluminum block with O-ring seal



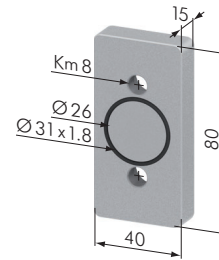
**SD0125N**



**SD0124N**



**SD0123N**



**SD0122N**

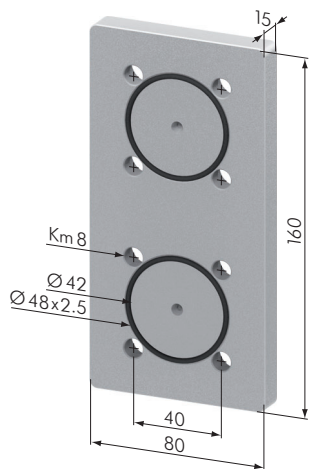
**40**

**Pneumatic End Plates 80**

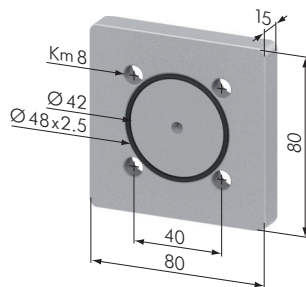
Part No	Description	Weight
SD0120N	Pneumatic End Plate 80 x 80 standard profile	244 g
SD0126N	Pneumatic End Plate 80 x 80	488 g
SD0128N	Pneumatic End Plate 80 x 160	488 g

**Application:** The pneumatic end plates cap the ends of compressed air lines. On request the end plates can be fitted with pneumatic fittings. The type of fittings required should be advised upon ordering.

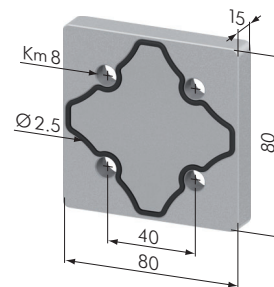
**Material:** aluminum block with O-ring seal



**SD0114N**



**SD0126N**



**SD0120N**



### System Structure

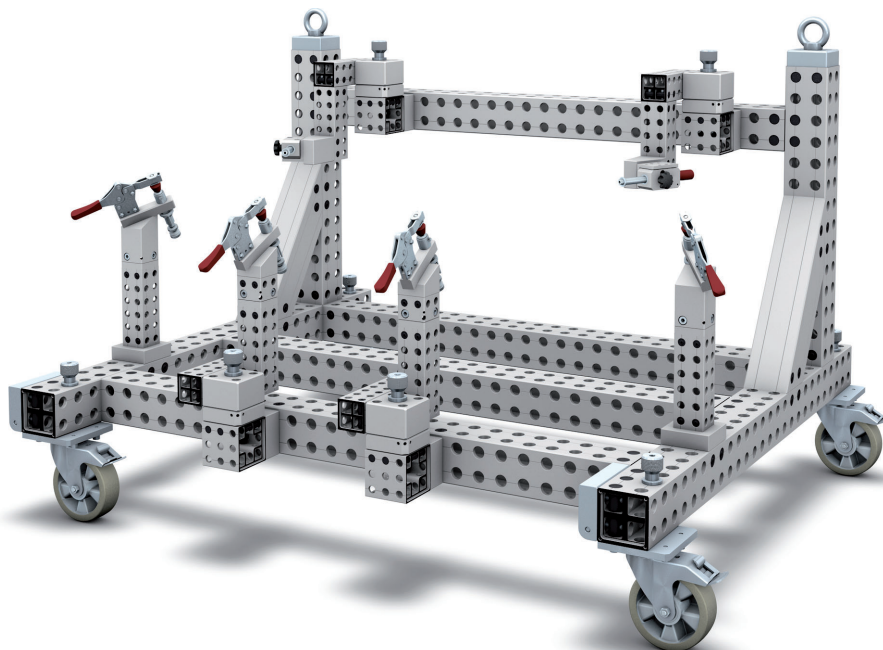
- precise aluminum profiles
- hardened profiles by special alloys
- no treatments required for the profile surface
- cost-effective system
- non-twisting system
- connections via plates or pins
- robust, wide ranging connection system
- tailored accessories

### Required Holes

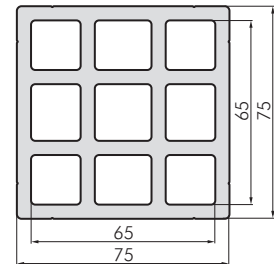
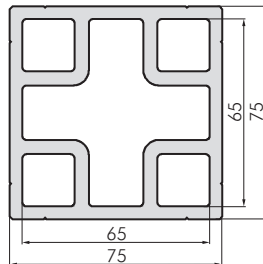
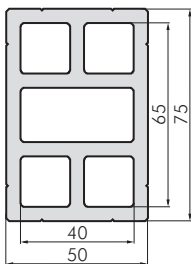
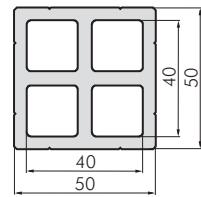
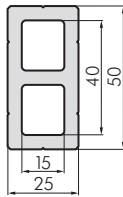
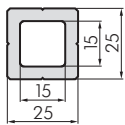
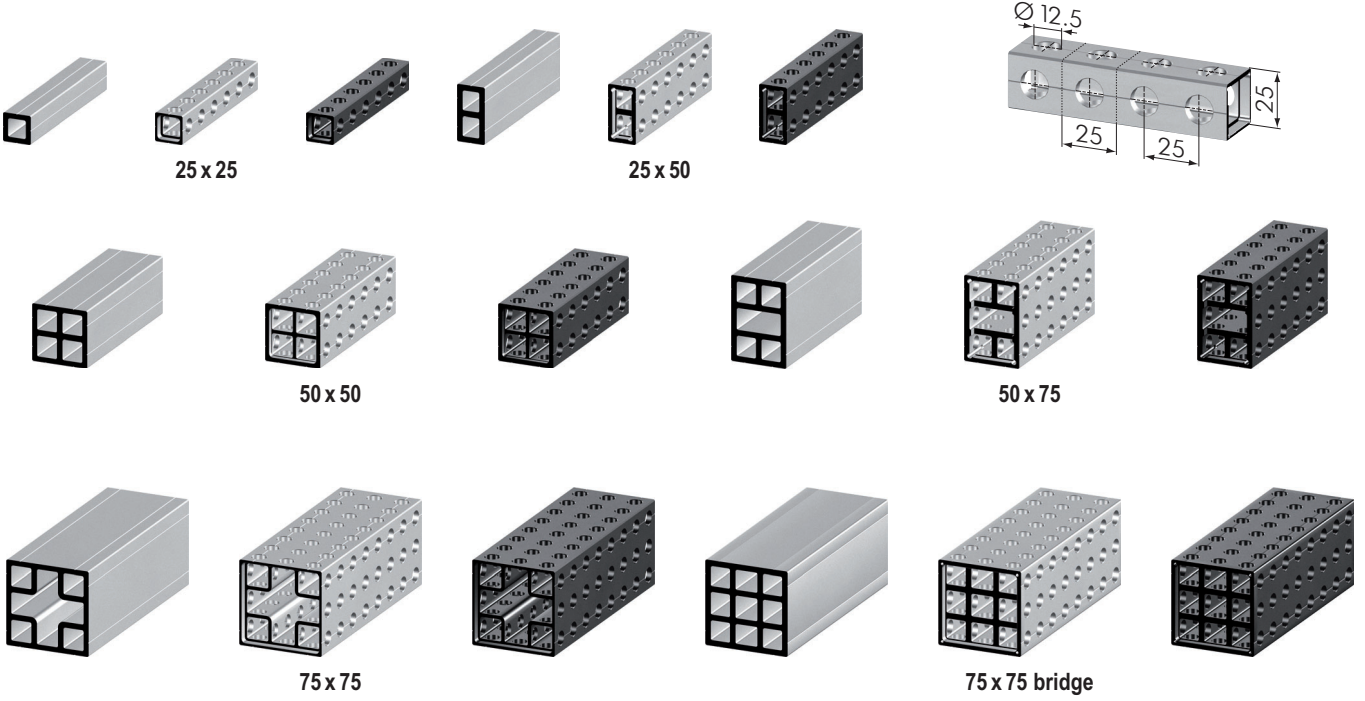
- profiles available with only specifically required drilled precision holes
- no weakening of the profile as a result of unused holes
- lower costs
- clean, smooth surface, no collection points for dirt and dust
- profiles are equipped with end caps

### Complete Machining

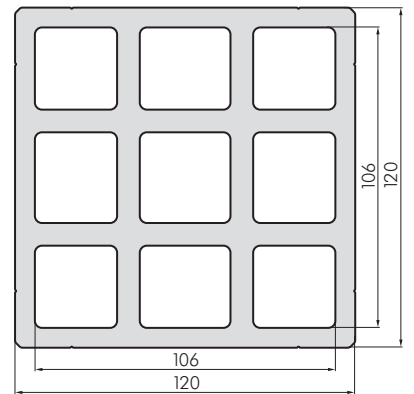
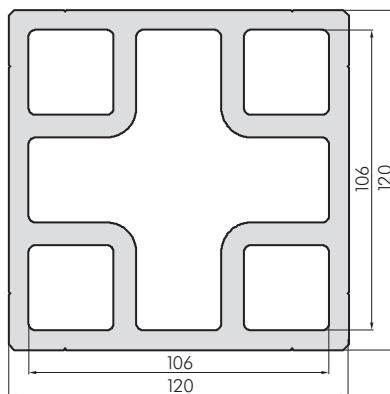
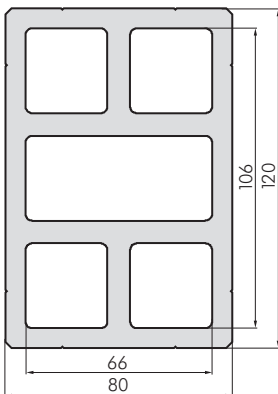
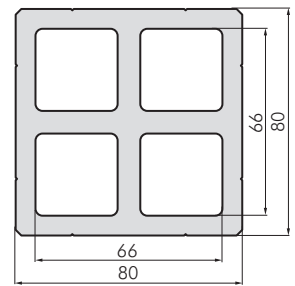
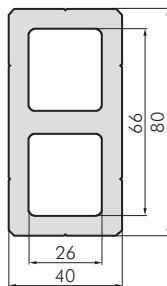
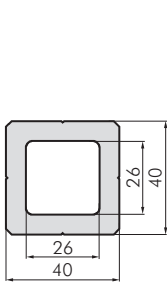
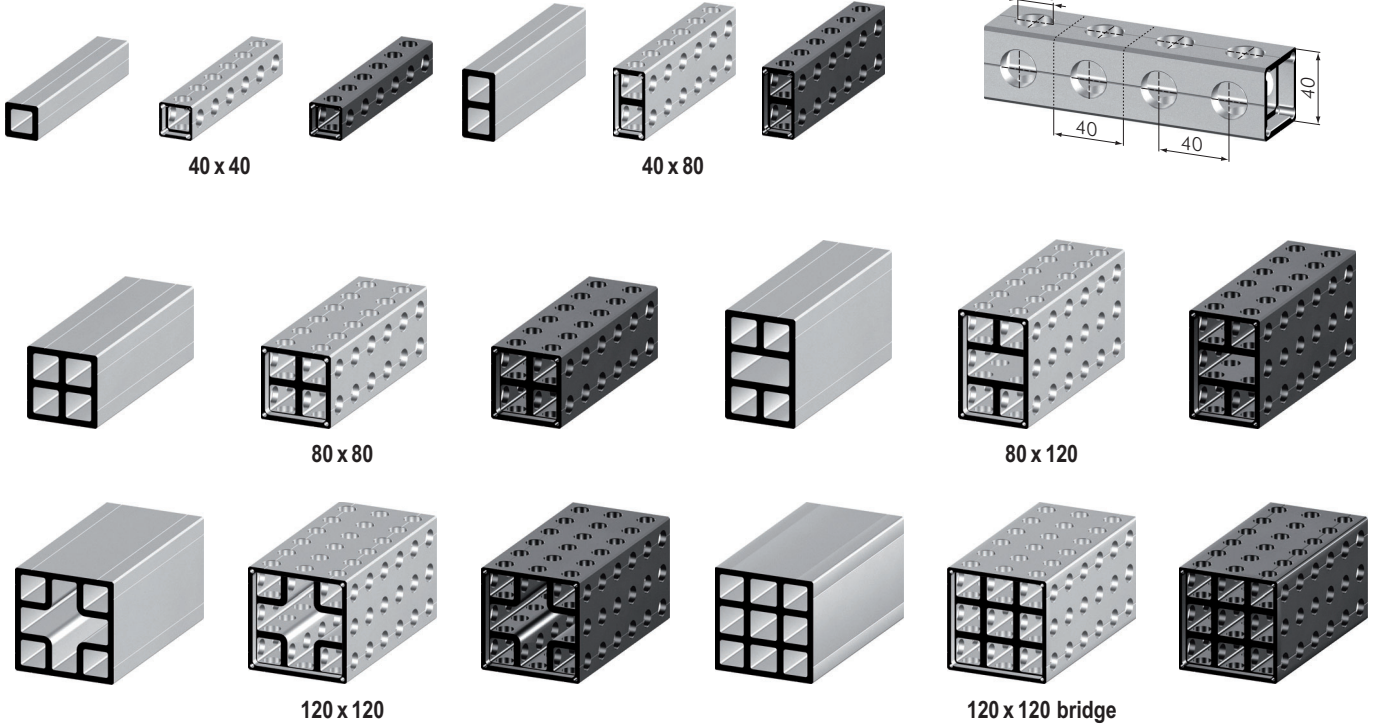
- profiles are drilled completely with precision holes
- top end processing for precise positioning with mounting plates
- always available from stock
- system completely closed (no dirt and dust)



Precision Profiles 25



Precision Profiles 40



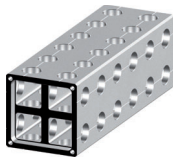
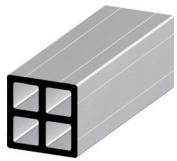
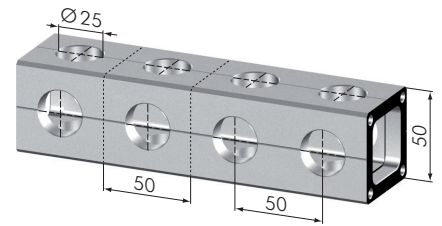
Precision Profiles 50



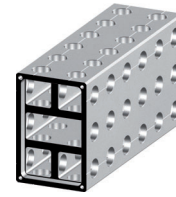
50 x 50



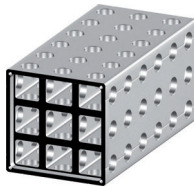
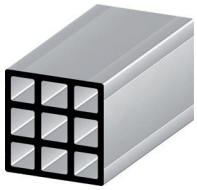
50 x 100



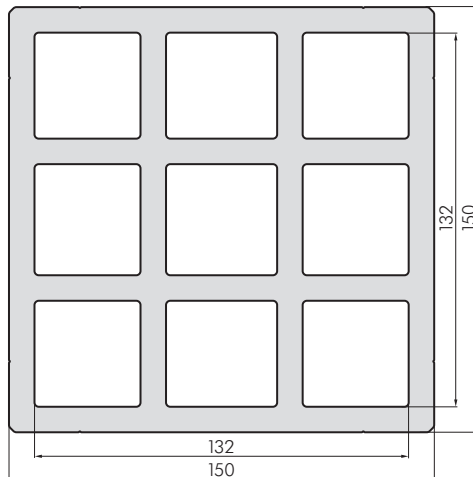
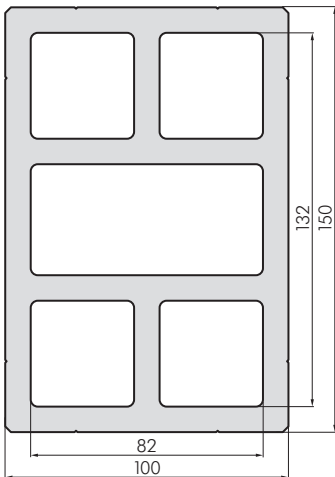
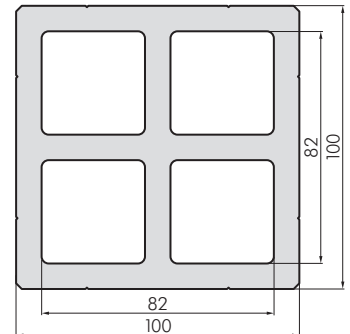
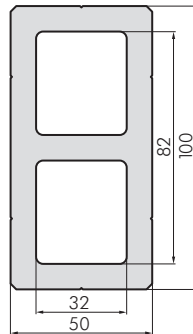
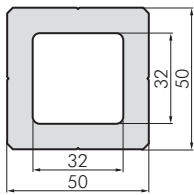
100 x 100



100 x 150

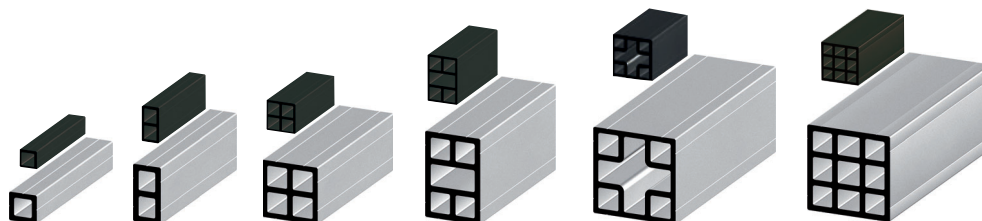


150 x 150 bridge





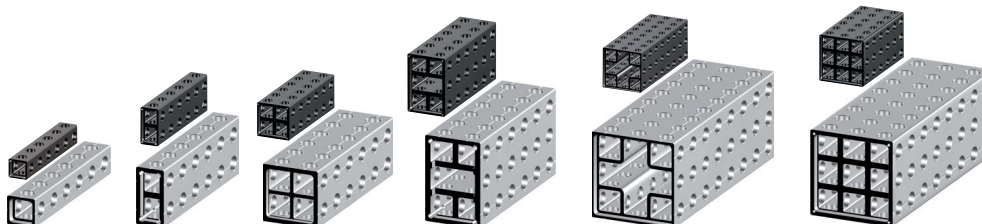
Precision Profiles 25



	25 x 25	25 x 50	50 x 50	50 x 75	75 x 75	75 x 75 bridge
$I_x$ [cm <sup>4</sup> ]	2.68	17.97	31.41	100.61	142.58	146.85
$I_y$ [cm <sup>4</sup> ]	2.68	5.50	31.41	46.86	142.58	146.85
$W_x$ [cm <sup>3</sup> ]	2.15	7.19	12.56	26.83	38.02	39.16
$W_y$ [cm <sup>3</sup> ]	2.15	4.40	12.56	19.54	38.02	39.16
$A$ [cm <sup>2</sup> ]	3.68	7.25	12.08	17.35	21.82	26.14
$G$ [kg/m]	0.99	1.96	3.26	4.68	5.89	7.06

SP6821N    SP6831N    SP6851N    SP6861N    SP6871N    SP6581N

cut to length



	25 x 25	25 x 50	50 x 50	50 x 75	75 x 75	75 x 75 bridge
$I_x$ [cm <sup>4</sup> ]	1.37	7.36	14.32	42.12	60.57	62.84
$I_y$ [cm <sup>4</sup> ]	1.37	2.70	14.32	21.27	60.57	62.84
$W_x$ [cm <sup>3</sup> ]	1.09	2.94	5.73	11.23	16.15	16.76
$W_y$ [cm <sup>3</sup> ]	1.09	2.16	5.73	8.51	16.15	16.76
$G$ [kg/m]	0.80	1.60	2.80	3.60	4.40	5.60

SP6823K    SP6833K    SP6853K    SP6863K    SP6873K    SP6583K

**Complete Machining | natural**  
Completely pre-drilled holes in framework with top end processing

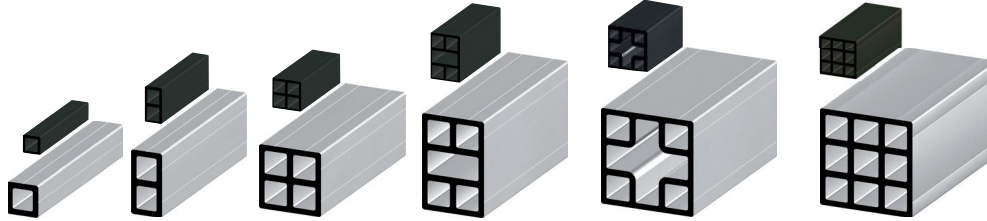
SP6823L    SP6833L    SP6853L    SP6863L    SP6873L    SP6583L

**Complete Machining | black**  
Completely pre-drilled holes in framework with top end processing

SP6823N    SP6833N    SP6853N    SP6863N    SP6873N    SP6583N

**cut to length**  
Specifically required pre-drilled holes with top end processing

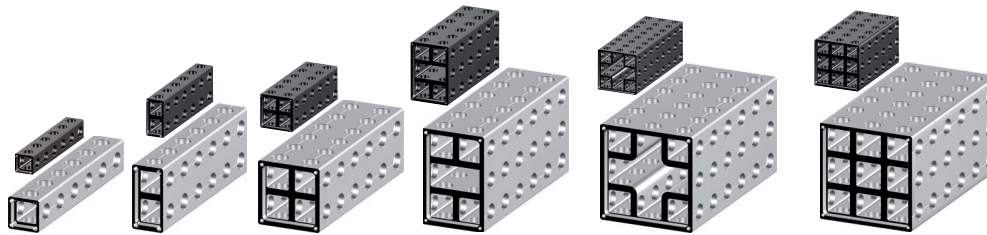
**Precision Profiles 40**



	40 x 40	40 x 80	80 x 80	80 x 120	120 x 120	120 x 120 bridge
$I_x$ [cm <sup>4</sup> ]	17.29	107.71	202.34	608.86	866.63	893.15
$I_y$ [cm <sup>4</sup> ]	17.29	34.00	202.34	296.91	866.63	893.15
$W_x$ [cm <sup>3</sup> ]	8.64	26.93	50.83	101.48	144.44	148.86
$W_y$ [cm <sup>3</sup> ]	8.64	17.00	50.83	74.23	144.44	148.86
A [cm <sup>2</sup> ]	9.20	16.93	30.47	41.57	52.04	63.48
G [kg/m]	2.48	4.57	8.23	11.22	14.05	17.14

SP6721N    SP6731N    SP6751N    SP6761N    SP6771N    SP6781N

cut to length



	40 x 40	40 x 80	80 x 80	80 x 120	120 x 120	120 x 120 bridge
$I_x$ [cm <sup>4</sup> ]	8.61	45.93	89.19	261.74	376.16	390.53
$I_y$ [cm <sup>4</sup> ]	8.61	17.05	89.19	132.40	376.16	390.53
$W_x$ [cm <sup>3</sup> ]	4.31	11.48	22.30	43.62	62.69	65.09
$W_y$ [cm <sup>3</sup> ]	4.31	8.53	22.30	33.10	62.69	65.09
G [kg/m]	2.00	3.50	6.50	8.75	11.00	13.25

SP6723K    SP6733K    SP6753K    SP6763K    SP6773K    SP6783K

**Complete Machining | natural**  
Completely pre-drilled holes in framework with top end processing

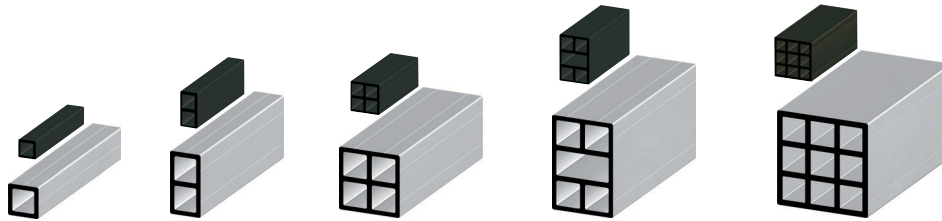
SP6723L    SP6733L    SP6753L    SP6763L    SP6773L    SP6783L

**Complete Machining | black**  
Completely pre-drilled holes in framework with top end processing

SP6723N    SP6733N    SP6753N    SP6763N    SP6773N    SP6783N

**cut to length**  
Specifically required pre-drilled holes with top end processing

Precision Profiles 50



	50 x 50	50 x 100	100 x 100	100 x 150	150 x 150 bridge
$I_x$ [cm <sup>4</sup> ]	41.83	268.59	497.89	1486.51	2152.38
$I_y$ [cm <sup>4</sup> ]	41.83	83.95	497.89	727.06	2152.38
$W_x$ [cm <sup>3</sup> ]	16.73	53.72	99.58	198.20	286.98
$W_y$ [cm <sup>3</sup> ]	16.73	35.58	99.58	145.41	286.98
A [cm <sup>2</sup> ]	14.07	26.65	46.82	63.42	95.12
G [kg/m]	3.80	7.20	12.64	17.12	25.68

SP6621N

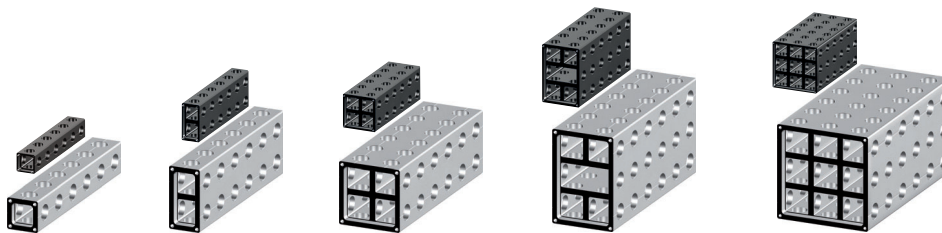
SP6631N

SP6651N

SP6661N

SP6691N

cut to length



	50 x 50	50 x 100	100 x 100	100 x 150	150 x 150 bridge
$I_x$ [cm <sup>4</sup> ]	21.40	114.02	219.23	638.80	937.64
$I_y$ [cm <sup>4</sup> ]	21.40	42.00	219.23	326.56	937.64
$W_x$ [cm <sup>3</sup> ]	8.56	22.80	43.85	85.17	125.02
$W_y$ [cm <sup>3</sup> ]	8.56	16.80	43.85	65.10	125.02
G [kg/m]	3.00	5.60	9.80	13.40	20.00

SP6623K

SP6633K

SP6653K

SP6663K

SP6693K

Complete Machining | natural  
Completely pre-drilled holes in  
framework with top end processing

SP6623N

SP6633N

SP6653N

SP6663N

SP6693N

cut to length  
Specifically required pre-drilled  
holes with top end processing

**SP6823K**  
Profile 25 x 25, natural



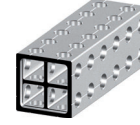
- Matrix 25
- Ø 12,5

**SP6833K**  
Profiel 25 x 50, natural



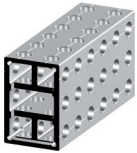
- Matrix 25
- Ø 12,5

**SP6853K**  
Profile 50 x 50, natural



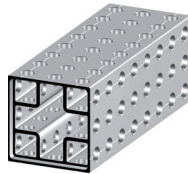
- Matrix 25
- Ø 12,5

Nº	l	kg	Nº	l	kg	Nº	l	kg	Nº	l	kg	Nº	l	kg	
1	SP6823K0025	25	0.02	1	SP6833K0025	25	0.04	81	SP6853K0025	25	0.07	81	SP6853K2025	2025	5.43
2	SP6823K0050	50	0.04	2	SP6833K0050	50	0.07	82	SP6853K0050	50	0.13	82	SP6853K2050	2050	5.49
3	SP6823K0075	75	0.06	3	SP6833K0075	75	0.11	83	SP6853K0075	75	0.20	83	SP6853K2075	2075	5.56
4	SP6823K0100	100	0.08	4	SP6833K0100	100	0.15	84	SP6853K0100	100	0.27	84	SP6853K2100	2100	5.63
5	SP6823K0125	125	0.10	5	SP6833K0125	125	0.19	85	SP6853K0125	125	0.34	85	SP6853K2125	2125	5.70
6	SP6823K0150	150	0.12	6	SP6833K0150	150	0.22	86	SP6853K0150	150	0.40	86	SP6853K2150	2150	5.76
7	SP6823K0175	175	0.14	7	SP6833K0175	175	0.26	87	SP6853K0175	175	0.47	87	SP6853K2175	2175	5.83
8	SP6823K0200	200	0.16	8	SP6833K0200	200	0.30	88	SP6853K0200	200	0.54	88	SP6853K2200	2200	5.90
9	SP6823K0225	225	0.18	9	SP6833K0225	225	0.33	89	SP6853K0225	225	0.60	89	SP6853K2225	2225	5.96
10	SP6823K0250	250	0.20	10	SP6833K0250	250	0.37	90	SP6853K0250	250	0.67	90	SP6853K2250	2250	6.03
11	SP6823K0275	275	0.22	11	SP6833K0275	275	0.41	91	SP6853K0275	275	0.74	91	SP6853K2275	2275	6.10
12	SP6823K0300	300	0.24	12	SP6833K0300	300	0.44	92	SP6853K0300	300	0.80	92	SP6853K2300	2300	6.16
13	SP6823K0325	325	0.26	13	SP6833K0325	325	0.48	93	SP6853K0325	325	0.87	93	SP6853K2325	2325	6.23
14	SP6823K0350	350	0.28	14	SP6833K0350	350	0.52	94	SP6853K0350	350	0.94	94	SP6853K2350	2350	6.30
15	SP6823K0375	375	0.30	15	SP6833K0375	375	0.56	95	SP6853K0375	375	1.01	95	SP6853K2375	2375	6.37
16	SP6823K0400	400	0.32	16	SP6833K0400	400	0.59	96	SP6853K0400	400	1.07	96	SP6853K2400	2400	6.43
17	SP6823K0425	425	0.34	17	SP6833K0425	425	0.63	97	SP6853K0425	425	1.14	97	SP6853K2425	2425	6.50
18	SP6823K0450	450	0.36	18	SP6833K0450	450	0.67	98	SP6853K0450	450	1.21	98	SP6853K2450	2450	6.57
19	SP6823K0475	475	0.38	19	SP6833K0475	475	0.70	99	SP6853K0475	475	1.27	99	SP6853K2475	2475	6.63
20	SP6823K0500	500	0.40	20	SP6833K0500	500	0.74	100	SP6853K0500	500	1.34	100	SP6853K2500	2500	6.70
21	SP6823K0525	525	0.42	21	SP6833K0525	525	0.78	101	SP6853K0525	525	1.41	101	SP6853K2525	2525	6.77
22	SP6823K0550	550	0.44	22	SP6833K0550	550	0.81	102	SP6853K0550	550	1.47	102	SP6853K2550	2550	6.83
23	SP6823K0575	575	0.46	23	SP6833K0575	575	0.85	103	SP6853K0575	575	1.54	103	SP6853K2575	2575	6.90
24	SP6823K0600	600	0.48	24	SP6833K0600	600	0.89	104	SP6853K0600	600	1.61	104	SP6853K2600	2600	6.97
25	SP6823K0625	625	0.50	25	SP6833K0625	625	0.93	105	SP6853K0625	625	1.68	105	SP6853K2625	2625	7.04
26	SP6823K0650	650	0.52	26	SP6833K0650	650	0.96	106	SP6853K0650	650	1.74	106	SP6853K2650	2650	7.10
27	SP6823K0675	675	0.54	27	SP6833K0675	675	1.00	107	SP6853K0675	675	1.81	107	SP6853K2675	2675	7.17
28	SP6823K0700	700	0.56	28	SP6833K0700	700	1.04	108	SP6853K0700	700	1.88	108	SP6853K2700	2700	7.24
29	SP6823K0725	725	0.58	29	SP6833K0725	725	1.07	109	SP6853K0725	725	1.94	109	SP6853K2725	2725	7.30
30	SP6823K0750	750	0.60	30	SP6833K0750	750	1.11	110	SP6853K0750	750	2.01	110	SP6853K2750	2750	7.37
31	SP6823K0775	775	0.62	31	SP6833K0775	775	1.15	111	SP6853K0775	775	2.08	111	SP6853K2775	2775	7.44
32	SP6823K0800	800	0.64	32	SP6833K0800	800	1.18	112	SP6853K0800	800	2.14	112	SP6853K2800	2800	7.50
33	SP6823K0825	825	0.66	33	SP6833K0825	825	1.22	113	SP6853K0825	825	2.21	113	SP6853K2825	2825	7.57
34	SP6823K0850	850	0.68	34	SP6833K0850	850	1.26	114	SP6853K0850	850	2.28	114	SP6853K2850	2850	7.64
35	SP6823K0875	875	0.70	35	SP6833K0875	875	1.30	115	SP6853K0875	875	2.35	115	SP6853K2875	2875	7.71
36	SP6823K0900	900	0.72	36	SP6833K0900	900	1.33	116	SP6853K0900	900	2.41	116	SP6853K2900	2900	7.77
37	SP6823K0925	925	0.74	37	SP6833K0925	925	1.37	117	SP6853K0925	925	2.48	117	SP6853K2925	2925	7.84
38	SP6823K0950	950	0.76	38	SP6833K0950	950	1.41	118	SP6853K0950	950	2.55	118	SP6853K2950	2950	7.91
39	SP6823K0975	975	0.78	39	SP6833K0975	975	1.44	119	SP6853K0975	975	2.61	119	SP6853K2975	2975	7.97
40	SP6823K1000	1000	0.80	40	SP6833K1000	1000	1.48	120	SP6853K1000	1000	2.68	120	SP6853K3000	3000	8.04
41	SP6823K1025	1025	0.82	41	SP6833K1025	1025	1.52	41	SP6853K1025	1025	2.75	121	SP6853K3025	3025	8.11
42	SP6823K1050	1050	0.84	42	SP6833K1050	1050	1.55	42	SP6853K1050	1050	2.81	122	SP6853K3050	3050	8.17
43	SP6823K1075	1075	0.86	43	SP6833K1075	1075	1.59	43	SP6853K1075	1075	2.88	123	SP6853K3075	3075	8.24
44	SP6823K1100	1100	0.88	44	SP6833K1100	1100	1.63	44	SP6853K1100	1100	2.95	124	SP6853K3100	3100	8.31
45	SP6823K1125	1125	0.90	45	SP6833K1125	1125	1.67	45	SP6853K1125	1125	3.02	125	SP6853K3125	3125	8.38
46	SP6823K1150	1150	0.92	46	SP6833K1150	1150	1.70	46	SP6853K1150	1150	3.08	126	SP6853K3150	3150	8.44
47	SP6823K1175	1175	0.94	47	SP6833K1175	1175	1.74	47	SP6853K1175	1175	3.15	127	SP6853K3175	3175	8.51
48	SP6823K1200	1200	0.96	48	SP6833K1200	1200	1.78	48	SP6853K1200	1200	3.22	128	SP6853K3200	3200	8.58
49	SP6823K1225	1225	0.98	49	SP6833K1225	1225	1.81	49	SP6853K1225	1225	3.28	129	SP6853K3225	3225	8.64
50	SP6823K1250	1250	1.00	50	SP6833K1250	1250	1.85	50	SP6853K1250	1250	3.35	130	SP6853K3250	3250	8.71
51	SP6823K1275	1275	1.02	51	SP6833K1275	1275	1.89	51	SP6853K1275	1275	3.42	131	SP6853K3275	3275	8.78
52	SP6823K1300	1300	1.04	52	SP6833K1300	1300	1.92	52	SP6853K1300	1300	3.48	132	SP6853K3300	3300	8.84
53	SP6823K1325	1325	1.06	53	SP6833K1325	1325	1.96	53	SP6853K1325	1325	3.55	133	SP6853K3325	3325	8.91
54	SP6823K1350	1350	1.08	54	SP6833K1350	1350	2.00	54	SP6853K1350	1350	3.62	134	SP6853K3350	3350	8.98
55	SP6823K1375	1375	1.10	55	SP6833K1375	1375	2.04	55	SP6853K1375	1375	3.69	135	SP6853K3375	3375	9.05
56	SP6823K1400	1400	1.12	56	SP6833K1400	1400	2.07	56	SP6853K1400	1400	3.75	136	SP6853K3400	3400	9.11
57	SP6823K1425	1425	1.14	57	SP6833K1425	1425	2.11	57	SP6853K1425	1425	3.82	137	SP6853K3425	3425	9.18
58	SP6823K1450	1450	1.16	58	SP6833K1450	1450	2.15	58	SP6853K1450	1450	3.89	138	SP6853K3450	3450	9.25
59	SP6823K1475	1475	1.18	59	SP6833K1475	1475	2.18	59	SP6853K1475	1475	3.95	139	SP6853K3475	3475	9.31
60	SP6823K1500	1500	1.20	60	SP6833K1500	1500	2.22	60	SP6853K1500	1500	4.02	140	SP6853K3500	3500	9.38
61	SP6823K1525	1525	1.22	61	SP6833K1525	1525	2.26	61	SP6853K1525	1525	4.09	141	SP6853K3525	3525	9.45
62	SP6823K1550	1550	1.24	62	SP6833K1550	1550	2.29	62	SP6853K1550	1550	4.15	142	SP6853K3550	3550	9.51
63	SP6823K1575	1575	1.26	63	SP6833K1575	1575	2.33	63	SP6853K1575	1575	4.22	143	SP6853K3575	3575	9.58
64	SP6823K1600	1600	1.28	64	SP6833K1600	1600	2.37	64	SP6853K1600	1600	4.29	144	SP6853K3600	3600	9.65
65	SP6823K1625	1625	1.30	65	SP6833K1625	1625	2.41	65	SP6853K1625	1625	4.36	145	SP6853K3625	3625	9.72
66	SP6823K1650	1650	1.32	66	SP6833K1650	1650	2.44	66	SP6853K1650	1650	4.42	146	SP6853K3650	3650	9.78
67	SP6823K1675	1675	1.34	67	SP6833K1675	1675	2.48	67	SP6853K1675	1675	4.49	147	SP6853K3675	3675	9.85
68	SP6823K1700	1700	1.36	68	SP6833K1700	1700	2.52	68	SP6853K1700	1700	4.56	148	SP6853K3700	3700	9.92
69	SP6823K1725	1725	1.38	69	SP6833K1725	1725	2.55	69	SP6853K1725	1725	4.62	149	SP6853K3725	3725	9.98
70	SP6823K1750	1750	1.40	70	SP6833K1750	1750	2.59	70	SP6853K1750	1750	4.69	150	SP6853K3750	3750	10.05
71	SP6823K1775	1775	1.42	71	SP6833K1775	1775	2.63</								



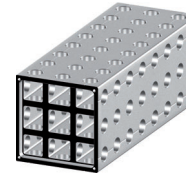
**SP6863K**  
Profile 50 x 75, natural

- Matrix 25
- Ø 12,5



**SP6873K**  
Profile 75 x 75, natural

- Matrix 25
- Ø 12,5



**SP6583K bridge**  
Profile 75 x 75, natural

- Matrix 25
- Ø 12,5

SP6863K			SP6873K			SP6583K bridge		
Nº	l	kg	Nº	l	kg	Nº	l	kg
1	SP6863K0025	25 0.09	81	SP6863K2025	2025 7.37	1	SP6863K0025	25 0.11
2	SP6863K0050	50 0.18	82	SP6863K2050	2050 7.46	2	SP6873K0050	50 0.23
3	SP6863K0075	75 0.27	83	SP6863K2075	2075 7.55	3	SP6873K0075	75 0.34
4	SP6863K0100	100 0.36	84	SP6863K2100	2100 7.64	4	SP6873K0100	100 0.46
5	SP6863K0125	125 0.46	85	SP6863K2125	2125 7.74	5	SP6873K0125	125 0.57
6	SP6863K0150	150 0.55	86	SP6863K2150	2150 7.83	6	SP6873K0150	150 0.68
7	SP6863K0175	175 0.64	87	SP6863K2175	2175 7.92	7	SP6873K0175	175 0.80
8	SP6863K0200	200 0.73	88	SP6863K2200	2200 8.01	8	SP6873K0200	200 0.91
9	SP6863K0225	225 0.82	89	SP6863K2225	2225 8.10	9	SP6873K0225	225 1.03
10	SP6863K0250	250 0.91	90	SP6863K2250	2250 8.19	10	SP6873K0250	250 1.14
11	SP6863K0275	275 1.00	91	SP6863K2275	2275 8.28	11	SP6873K0275	275 1.25
12	SP6863K0300	300 1.09	92	SP6863K2300	2300 8.37	12	SP6873K0300	300 1.37
13	SP6863K0325	325 1.18	93	SP6863K2325	2325 8.46	13	SP6873K0325	325 1.48
14	SP6863K0350	350 1.27	94	SP6863K2350	2350 8.55	14	SP6873K0350	350 1.60
15	SP6863K0375	375 1.37	95	SP6863K2375	2375 8.65	15	SP6873K0375	375 1.71
16	SP6863K0400	400 1.46	96	SP6863K2400	2400 8.74	16	SP6873K0400	400 1.82
17	SP6863K0425	425 1.55	97	SP6863K2425	2425 8.83	17	SP6873K0425	425 1.94
18	SP6863K0450	450 1.64	98	SP6863K2450	2450 8.92	18	SP6873K0450	450 2.05
19	SP6863K0475	475 1.73	99	SP6863K2475	2475 9.01	19	SP6873K0475	475 2.17
20	SP6863K0500	500 1.82	100	SP6863K2500	2500 9.10	20	SP6873K0500	500 2.28
21	SP6863K0525	525 1.91	101	SP6863K2525	2525 9.19	21	SP6873K0525	525 2.39
22	SP6863K0550	550 2.00	102	SP6863K2550	2550 9.28	22	SP6873K0550	550 2.51
23	SP6863K0575	575 2.09	103	SP6863K2575	2575 9.37	23	SP6873K0575	575 2.62
24	SP6863K0600	600 2.18	104	SP6863K2600	2600 9.46	24	SP6873K0600	600 2.74
25	SP6863K0625	625 2.28	105	SP6863K2625	2625 9.56	25	SP6873K0625	625 2.85
26	SP6863K0650	650 2.37	106	SP6863K2650	2650 9.65	26	SP6873K0650	650 2.96
27	SP6863K0675	675 2.46	107	SP6863K2675	2675 9.74	27	SP6873K0675	675 3.08
28	SP6863K0700	700 2.55	108	SP6863K2700	2700 9.83	28	SP6873K0700	700 3.19
29	SP6863K0725	725 2.64	109	SP6863K2725	2725 9.92	29	SP6873K0725	725 3.31
30	SP6863K0750	750 2.73	110	SP6863K2750	2750 10.01	30	SP6873K0750	750 3.42
31	SP6863K0775	775 2.82	111	SP6863K2775	2775 10.10	31	SP6873K0775	775 3.53
32	SP6863K0800	800 2.91	112	SP6863K2800	2800 10.19	32	SP6873K0800	800 3.65
33	SP6863K0825	825 3.00	113	SP6863K2825	2825 10.28	33	SP6873K0825	825 3.76
34	SP6863K0850	850 3.09	114	SP6863K2850	2850 10.37	34	SP6873K0850	850 3.88
35	SP6863K0875	875 3.19	115	SP6863K2875	2875 10.47	35	SP6873K0875	875 3.99
36	SP6863K0900	900 3.28	116	SP6863K2900	2900 10.56	36	SP6873K0900	900 4.10
37	SP6863K0925	925 3.37	117	SP6863K2925	2925 10.65	37	SP6873K0925	925 4.22
38	SP6863K0950	950 3.46	118	SP6863K2950	2950 10.74	38	SP6873K0950	950 4.33
39	SP6863K0975	975 3.55	119	SP6863K2975	2975 10.83	39	SP6873K0975	975 4.45
40	SP6863K1000	1000 3.64	120	SP6863K3000	3000 10.92	40	SP6873K1000	1000 4.56
41	SP6863K1025	1025 3.73	121	SP6863K3025	3025 11.01	41	SP6873K1025	1025 4.67
42	SP6863K1050	1050 3.82	122	SP6863K3050	3050 11.10	42	SP6873K1050	1050 4.79
43	SP6863K1075	1075 3.91	123	SP6863K3075	3075 11.19	43	SP6873K1075	1075 4.90
44	SP6863K1100	1100 4.00	124	SP6863K3100	3100 11.28	44	SP6873K1100	1100 5.02
45	SP6863K1125	1125 4.10	125	SP6863K3125	3125 11.38	45	SP6873K1125	1125 5.13
46	SP6863K1150	1150 4.19	126	SP6863K3150	3150 11.47	46	SP6873K1150	1150 5.24
47	SP6863K1175	1175 4.28	127	SP6863K3175	3175 11.56	47	SP6873K1175	1175 5.36
48	SP6863K1200	1200 4.37	128	SP6863K3200	3200 11.65	48	SP6873K1200	1200 5.47
49	SP6863K1225	1225 4.46	129	SP6863K3225	3225 11.74	49	SP6873K1225	1225 5.59
50	SP6863K1250	1250 4.55	130	SP6863K3250	3250 11.83	50	SP6873K1250	1250 5.70
51	SP6863K1275	1275 4.64	131	SP6863K3275	3275 11.92	51	SP6873K1275	1275 5.81
52	SP6863K1300	1300 4.73	132	SP6863K3300	3300 12.01	52	SP6873K1300	1300 5.93
53	SP6863K1325	1325 4.82	133	SP6863K3325	3325 12.10	53	SP6873K1325	1325 6.04
54	SP6863K1350	1350 4.91	134	SP6863K3350	3350 12.19	54	SP6873K1350	1350 6.16
55	SP6863K1375	1375 5.01	135	SP6863K3375	3375 12.29	55	SP6873K1375	1375 6.27
56	SP6863K1400	1400 5.10	136	SP6863K3400	3400 12.38	56	SP6873K1400	1400 6.38
57	SP6863K1425	1425 5.19	137	SP6863K3425	3425 12.47	57	SP6873K1425	1425 6.50
58	SP6863K1450	1450 5.28	138	SP6863K3450	3450 12.56	58	SP6873K1450	1450 6.61
59	SP6863K1475	1475 5.37	139	SP6863K3475	3475 12.65	59	SP6873K1475	1475 6.73
60	SP6863K1500	1500 5.46	140	SP6863K3500	3500 12.74	60	SP6873K1500	1500 6.84
61	SP6863K1525	1525 5.55	141	SP6863K3525	3525 12.83	61	SP6873K1525	1525 6.95
62	SP6863K1550	1550 5.64	142	SP6863K3550	3550 12.92	62	SP6873K1550	1550 7.07
63	SP6863K1575	1575 5.73	143	SP6863K3575	3575 13.01	63	SP6873K1575	1575 7.18
64	SP6863K1600	1600 5.82	144	SP6863K3600	3600 13.10	64	SP6873K1600	1600 7.30
65	SP6863K1625	1625 5.92	145	SP6863K3625	3625 13.20	65	SP6873K1625	1625 7.41
66	SP6863K1650	1650 6.01	146	SP6863K3650	3650 13.29	66	SP6873K1650	1650 7.52
67	SP6863K1675	1675 6.10	147	SP6863K3675	3675 13.38	67	SP6873K1675	1675 7.64
68	SP6863K1700	1700 6.19	148	SP6863K3700	3700 13.47	68	SP6873K1700	1700 7.75
69	SP6863K1725	1725 6.28	149	SP6863K3725	3725 13.56	69	SP6873K1725	1725 7.87
70	SP6863K1750	1750 6.37	150	SP6863K3750	3750 13.65	70	SP6873K1750	1750 7.98
71	SP6863K1775	1775 6.46	151	SP6863K3775	3775 13.74	71	SP6873K1775	1775 8.09
72	SP6863K1800	1800 6.55	152	SP6863K3800	3800 13.83	72	SP6873K1800	1800 8.21
73	SP6863K1825	1825 6.64	153	SP6863K3825	3825 13.92	73	SP6873K1825	1825 8.32
74	SP6863K1850	1850 6.73	154	SP6863K3850	3850 14.01	74	SP6873K1850	1850 8.44
75	SP6863K1875	1875 6.83	155	SP6863K3875	3875 14.11	75	SP6873K1875	1875 8.55
76	SP6863K1900	1900 6.92	156	SP6863K3900	3900 14.20	76	SP6873K1900	1900 8.66
77	SP6863K1925	1925 7.01	157	SP6863K3925	3925 14.29	77	SP6873K1925	1925 8.78
78	SP6863K1950	1950 7.10	158	SP6863K3950	3950 14.38	78	SP6873K1950	1950 8.89
79	SP6863K1975	1975 7.19	159	SP6863K3975	3975 14.47	79	SP6873K1975	1975 9.01
80	SP6863K2000	2000 7.28	160	SP6863K4000	4000 14.56	80	SP6873K2000	2000 9.12
81	SP6583K0025	25 0.14	81	SP6583K2025	2025 11.10	81	SP6873K2025	2025 9.23
82	SP6583K0050	50 0.27	82	SP6583K2050	2050 11.23	82	SP6873K2050	2050 9.35
83	SP6583K0075	75 0.41	83	SP6583K2075	2075 11.37	83	SP6873K2075	2105 9.46
84	SP6583K0100	100 0.55	84	SP6583K2100	2100 11.51	84	SP6873K2100	2100 9.58
85	SP6583K0125	125 0.69	85	SP6583K2125	2125 11.65	85	SP6873K2125	2125 9.69
86	SP6583K0150	150 0.82	86	SP6583K2150	2150 11.78	86	SP6873K2150	2150 9.80
87	SP6583K0175	175 0.96	87	SP6583K2175	2175 11.92	87	SP6873K2175	2175 9.92
88	SP6583K0200	200 1.10	88	SP6583K2200	2200 12.06	88	SP6873K2200	2200 10.03
89	SP6583K0225	225 1.23	89	SP6583K2225	2225 12.19	89	SP6873K2225	2225 10.15
90	SP6583K0250	250 1.37	90	SP6583K2250	2250 12.33	90	SP6873K2250	2250 10.26
91	SP6583K0275	275 1.51	91	SP6583K2275	2275 12.47	91	SP6873K2275	2275 10.37
92	SP6583K0300	300 1.64	92	SP6583K2300	2300 12.60	92	SP6873K2300	2300 10.49
93	SP6583K0325	325 1.78	93	SP6583K2325	2325 12.74	93	SP6873K2325	2325 10.60
94	SP6583K0350	350 1.92	94	SP6583K2350	2350 12.88	94	SP6873K2350	2350 10.72
95	SP6583K0375	375 2.06	95	SP6583K2375	2375 13.02	95	SP6873K2375	2375 10.83
96	SP6583K0400	400 2.19	96	SP6583K2400	2400 13.15	96	SP6873K2400	2400 10.94
97	SP6583K0425	425 2.33	97	SP6583K2425	2425 13.29	97	SP6873K2425	2425 11.06
98	SP6583K0450	450 2.47	98	SP6583K2450	2450 13.43	98	SP6873K2450	2450 11.17
99	SP6583K0475	475 2.60	99	SP6583K2475	2475 13.56	99	SP6873K2475	2475 11.29
100	SP6583K0500	500 2.74	100	SP6583K2500	2500 13.70	100	SP6873K2500	2475 11.40
101	SP6583K0525	525 2.88	101	SP6583K2525	2525 13.84	101	SP6873K2525	2525 11.51
102	SP6583K0550	550 3.01	102	SP6583K2550	2550 13.97	102	SP6873K2550	2550 11.63
103	SP6583K0575							

**SP6823L**  
Profile 25 x 25, black



- Matrix 25
- Ø 12,5

**SP6833L**  
Profile 25 x 50, black



- Matrix 25
- Ø 12,5

**SP6853L**  
Profile 50 x 50, black



- Matrix 25
- Ø 12,5

SP6823L			SP6833L			SP6853L		
Nº	l	kg	Nº	l	kg	Nº	l	kg
1	SP6823L0025	25 0.02	1	SP6833L0025	25 0.04	81	SP6853L0025	25 0.07
2	SP6823L0050	50 0.04	2	SP6833L0050	50 0.07	82	SP6853L0050	50 0.13
3	SP6823L0075	75 0.06	3	SP6833L0075	75 0.11	83	SP6853L0075	75 0.20
4	SP6823L0100	100 0.08	4	SP6833L0100	100 0.15	84	SP6853L0100	100 0.27
5	SP6823L0125	125 0.10	5	SP6833L0125	125 0.19	85	SP6853L0125	125 0.34
6	SP6823L0150	150 0.12	6	SP6833L0150	150 0.22	86	SP6853L0150	150 0.40
7	SP6823L0175	175 0.14	7	SP6833L0175	175 0.26	87	SP6853L0175	175 0.47
8	SP6823L0200	200 0.16	8	SP6833L0200	200 0.30	88	SP6853L0200	200 0.54
9	SP6823L0225	225 0.18	9	SP6833L0225	225 0.33	89	SP6853L0225	225 0.60
10	SP6823L0250	250 0.20	10	SP6833L0250	250 0.37	90	SP6853L0250	250 0.67
11	SP6823L0275	275 0.22	11	SP6833L0275	275 0.41	91	SP6853L0275	275 0.74
12	SP6823L0300	300 0.24	12	SP6833L0300	300 0.44	92	SP6853L0300	300 0.80
13	SP6823L0325	325 0.26	13	SP6833L0325	325 0.48	93	SP6853L0325	325 0.87
14	SP6823L0350	350 0.28	14	SP6833L0350	350 0.52	94	SP6853L0350	350 0.94
15	SP6823L0375	375 0.30	15	SP6833L0375	375 0.56	95	SP6853L0375	375 1.01
16	SP6823L0400	400 0.32	16	SP6833L0400	400 0.59	96	SP6853L0400	400 1.07
17	SP6823L0425	425 0.34	17	SP6833L0425	425 0.63	97	SP6853L0425	425 1.14
18	SP6823L0450	450 0.36	18	SP6833L0450	450 0.67	98	SP6853L0450	450 1.21
19	SP6823L0475	475 0.38	19	SP6833L0475	475 0.70	99	SP6853L0475	475 1.27
20	SP6823L0500	500 0.40	20	SP6833L0500	500 0.74	100	SP6853L0500	500 1.34
21	SP6823L0525	525 0.42	21	SP6833L0525	525 0.78	101	SP6853L0525	525 1.41
22	SP6823L0550	550 0.44	22	SP6833L0550	550 0.81	102	SP6853L0550	550 1.47
23	SP6823L0575	575 0.46	23	SP6833L0575	575 0.85	103	SP6853L0575	575 1.54
24	SP6823L0600	600 0.48	24	SP6833L0600	600 0.89	104	SP6853L0600	600 1.61
25	SP6823L0625	625 0.50	25	SP6833L0625	625 0.93	105	SP6853L0625	625 1.68
26	SP6823L0650	650 0.52	26	SP6833L0650	650 0.96	106	SP6853L0650	650 1.74
27	SP6823L0675	675 0.54	27	SP6833L0675	675 1.00	107	SP6853L0675	675 1.81
28	SP6823L0700	700 0.56	28	SP6833L0700	700 1.04	108	SP6853L0700	700 1.88
29	SP6823L0725	725 0.58	29	SP6833L0725	725 1.07	109	SP6853L0725	725 1.94
30	SP6823L0750	750 0.60	30	SP6833L0750	750 1.11	110	SP6853L0750	750 2.01
31	SP6823L0775	775 0.62	31	SP6833L0775	775 1.15	111	SP6853L0775	775 2.08
32	SP6823L0800	800 0.64	32	SP6833L0800	800 1.18	112	SP6853L0800	800 2.14
33	SP6823L0825	825 0.66	33	SP6833L0825	825 1.22	113	SP6853L0825	825 2.21
34	SP6823L0850	850 0.68	34	SP6833L0850	850 1.26	114	SP6853L0850	850 2.28
35	SP6823L0875	875 0.70	35	SP6833L0875	875 1.30	115	SP6853L0875	875 2.35
36	SP6823L0900	900 0.72	36	SP6833L0900	900 1.33	116	SP6853L0900	900 2.41
37	SP6823L0925	925 0.74	37	SP6833L0925	925 1.37	117	SP6853L0925	925 2.48
38	SP6823L0950	950 0.76	38	SP6833L0950	950 1.41	118	SP6853L0950	950 2.55
39	SP6823L0975	975 0.78	39	SP6833L0975	975 1.44	119	SP6853L0975	975 2.61
40	SP6823L1000	1000 0.80	40	SP6833L1000	1000 1.48	120	SP6853L1000	1000 2.68
41	SP6823L1025	1025 0.82	41	SP6833L1025	1025 1.52	41	SP6853L1025	1025 2.75
42	SP6823L1050	1050 0.84	42	SP6833L1050	1050 1.55	42	SP6853L1050	1050 2.81
43	SP6823L1075	1075 0.86	43	SP6833L1075	1075 1.59	43	SP6853L1075	1075 2.88
44	SP6823L1100	1100 0.88	44	SP6833L1100	1100 1.63	44	SP6853L1100	1100 2.95
45	SP6823L1125	1125 0.90	45	SP6833L1125	1125 1.67	45	SP6853L1125	1125 3.02
46	SP6823L1150	1150 0.92	46	SP6833L1150	1150 1.70	46	SP6853L1150	1150 3.08
47	SP6823L1175	1175 0.94	47	SP6833L1175	1175 1.74	47	SP6853L1175	1175 3.15
48	SP6823L1200	1200 0.96	48	SP6833L1200	1200 1.78	48	SP6853L1200	1200 3.22
49	SP6823L1225	1225 0.98	49	SP6833L1225	1225 1.81	49	SP6853L1225	1225 3.28
50	SP6823L1250	1250 1.00	50	SP6833L1250	1250 1.85	50	SP6853L1250	1250 3.35
51	SP6823L1275	1275 1.02	51	SP6833L1275	1275 1.89	51	SP6853L1275	1275 3.42
52	SP6823L1300	1300 1.04	52	SP6833L1300	1300 1.92	52	SP6853L1300	1300 3.48
53	SP6823L1325	1325 1.06	53	SP6833L1325	1325 1.96	53	SP6853L1325	1325 3.55
54	SP6823L1350	1350 1.08	54	SP6833L1350	1350 2.00	54	SP6853L1350	1350 3.62
55	SP6823L1375	1375 1.10	55	SP6833L1375	1375 2.04	55	SP6853L1375	1375 3.69
56	SP6823L1400	1400 1.12	56	SP6833L1400	1400 2.07	56	SP6853L1400	1400 3.75
57	SP6823L1425	1425 1.14	57	SP6833L1425	1425 2.11	57	SP6853L1425	1425 3.82
58	SP6823L1450	1450 1.16	58	SP6833L1450	1450 2.15	58	SP6853L1450	1450 3.89
59	SP6823L1475	1475 1.18	59	SP6833L1475	1475 2.18	59	SP6853L1475	1475 3.95
60	SP6823L1500	1500 1.20	60	SP6833L1500	1500 2.22	60	SP6853L1500	1500 4.02
61	SP6823L1525	1525 1.22	61	SP6833L1525	1525 2.26	61	SP6853L1525	1525 4.09
62	SP6823L1550	1550 1.24	62	SP6833L1550	1550 2.29	62	SP6853L1550	1550 4.15
63	SP6823L1575	1575 1.26	63	SP6833L1575	1575 2.33	63	SP6853L1575	1575 4.22
64	SP6823L1600	1600 1.28	64	SP6833L1600	1600 2.37	64	SP6853L1600	1600 4.29
65	SP6823L1625	1625 1.30	65	SP6833L1625	1625 2.41	65	SP6853L1625	1625 4.36
66	SP6823L1650	1650 1.32	66	SP6833L1650	1650 2.44	66	SP6853L1650	1650 4.42
67	SP6823L1675	1675 1.34	67	SP6833L1675	1675 2.48	67	SP6853L1675	1675 4.49
68	SP6823L1700	1700 1.36	68	SP6833L1700	1700 2.52	68	SP6853L1700	1700 4.56
69	SP6823L1725	1725 1.38	69	SP6833L1725	1725 2.55	69	SP6853L1725	1725 4.62
70	SP6823L1750	1750 1.40	70	SP6833L1750	1750 2.59	70	SP6853L1750	1750 4.69
71	SP6823L1775	1775 1.42	71	SP6833L1775	1775 2.63	71	SP6853L1775	1775 4.76
72	SP6823L1800	1800 1.44	72	SP6833L1800	1800 2.66	72	SP6853L1800	1800 4.82
73	SP6823L1825	1825 1.46	73	SP6833L1825	1825 2.70	73	SP6853L1825	1825 4.89
74	SP6823L1850	1850 1.48	74	SP6833L1850	1850 2.74	74	SP6853L1850	1850 4.96
75	SP6823L1875	1875 1.50	75	SP6833L1875	1875 2.78	75	SP6853L1875	1875 5.03
76	SP6823L1900	1900 1.52	76	SP6833L1900	1900 2.81	76	SP6853L1900	1900 5.09
77	SP6823L1925	1925 1.54	77	SP6833L1925	1925 2.85	77	SP6853L1925	1925 5.16
78	SP6823L1950	1950 1.56	78	SP6833L1950	1950 2.89	78	SP6853L1950	1950 5.23
79	SP6823L1975	1975 1.58	79	SP6833L1975	1975 2.92	79	SP6853L1975	1975 5.29
80	SP6823L2000	2000 1.60	80	SP6833L2000	2000 2.96	80	SP6853L2000	2000 5.36
81	SP6823L2025	2025 1.62	81	SP6833L2025	2025 3.00	81	SP6853L2025	2025 5.43
82	SP6823L2050	2050 1.64	82	SP6833L2050	2050 3.03	82	SP6853L2050	2050 5.49
83	SP6823L2075	2075 1.66	83	SP6833L2075	2075 3.07	83	SP6853L2075	2075 5.56
84	SP6823L2100	2100 1.68	84	SP6833L2100	2100 3.11	84	SP6853L2100	2100 5.63
85	SP6823L2125	2125 1.70	85	SP6833L2125	2125 3.15	85	SP6853L2125	2125 5.70
86	SP6823L2150	2150 1.72	86	SP6833L2150	2150 3.18	86	SP6853L2150	2150 5.76
87	SP6823L2175	2175 1.74	87	SP6833L2175	2175 3.22	87	SP6853L2175	2175 5.83
88	SP6823L2200	2200 1.76	88	SP6833L2200	2200 3.26	88	SP6853L2200	2200 5.90
89	SP6823L2225	2225 1.78	89	SP6833L2225	2225 3.29	89	SP6853L2225	2225 5.96
90	SP6823L2250	2250 1.80	90	SP6833L2250	2250 3.33	90	SP6853L2250	2250 6.03
91	SP6823L2275	2275 1.82	91	SP6833L2275	2275 3.37	91	SP6853L2275	2275 6.10
92	SP6823L2300	2300 1.84	92	SP6833L2300	2300 3.40	92	SP6853L2300	2300 6.16
93	SP6823L2325	2325 1.86	93	SP6833L2325	2325 3.44	93	SP6853L2325	2325 6.23
94	SP6823L2350	2350 1.88	94	SP6833L2350	2350 3.48	94	SP6853L2350	2350 6.30
95	SP6823L2375	2375 1.90	95	SP6833L2375	2375 3.52	95	SP6853L2375	2375 6.37
96	SP6823L2400	2400 1.92	96	SP6833L2400	2400 3.55	96	SP6853L2400	2400 6.43
97	SP6823L2425	2425 1.94	97	SP6833L2425	2425 3.59	97	SP6853L2425	2425 6.50
98	SP6823L2450	2450 1.96	98	SP6833L2450	2450 3.63	98	SP6853L2450	2450 6.57
99	SP6823L2475	2475 1.98	99	SP6833L2475	2475 3.66	99	SP6853L2475	2475 6.63
100	SP6823L2500	2500 2.00	100	SP6833L2500	2500 3.70	100	SP6853L2500	2500 6.70
101	SP6823L2525	2525 2.02	101	SP6833L2525	2525 3.74	101	SP6853L2525	2525 6.77
102	SP6823L2550	2550 2.04	102	SP6833L2550	2550 3.77	102	SP6853L2550	2550 6.83
103	SP6823L2575	2575 2.06	103	SP6833L2575	2575 3.81	103	SP6853L2575	2575 6.90
104	SP6823L2600	2600 2.08	104	SP6833L2600	2600 3.85	10		



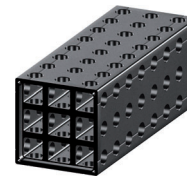
**SP6863L**  
Profile 50 x 75, black

- Matrix 25
- Ø 12,5



**SP6873L**  
Profile 75 x 75, black

- Matrix 25
- Ø 12,5



**SP6583L bridge**  
Profile 75 x 75, black

- Matrix 25
- Ø 12,5

SP6863L			SP6873L			SP6583L bridge											
N°	l	kg	N°	l	kg	N°	l	kg									
1	SP6863L0025	25 0.09	81	SP6863L2025	2025 7.37	1	SP6873L0025	25 0.11	81	SP6873L2025	2025 9.23	1	SP6583L0025	25 0.14	81	SP6583L2025	2025 11.10
2	SP6863L0050	50 0.18	82	SP6863L2050	2050 7.46	2	SP6873L0050	50 0.23	82	SP6873L2050	2050 9.35	2	SP6583L0050	50 0.27	82	SP6583L2050	2050 11.23
3	SP6863L0075	75 0.27	83	SP6863L2075	2075 7.55	3	SP6873L0075	75 0.34	83	SP6873L2075	2075 9.46	3	SP6583L0075	75 0.41	83	SP6583L2075	2075 11.37
4	SP6863L0100	100 0.36	84	SP6863L2100	2100 7.64	4	SP6873L0100	100 0.46	84	SP6873L2100	2100 9.58	4	SP6583L0100	100 0.55	84	SP6583L2100	2100 11.51
5	SP6863L0125	125 0.46	85	SP6863L2125	2125 7.74	5	SP6873L0125	125 0.57	85	SP6873L2125	2125 9.69	5	SP6583L0125	125 0.69	85	SP6583L2125	2125 11.65
6	SP6863L0150	150 0.55	86	SP6863L2150	2150 7.83	6	SP6873L0150	150 0.68	86	SP6873L2150	2150 9.80	6	SP6583L0150	150 0.82	86	SP6583L2150	2150 11.78
7	SP6863L0175	175 0.64	87	SP6863L2175	2175 7.92	7	SP6873L0175	175 0.80	87	SP6873L2175	2175 9.92	7	SP6583L0175	175 0.96	87	SP6583L2175	2175 11.92
8	SP6863L0200	200 0.73	88	SP6863L2200	2200 8.01	8	SP6873L0200	200 0.91	88	SP6873L2200	2200 10.03	8	SP6583L0200	200 1.10	88	SP6583L2200	2200 12.06
9	SP6863L0225	225 0.82	89	SP6863L2225	2225 8.10	9	SP6873L0225	225 1.03	89	SP6873L2225	2225 10.15	9	SP6583L0225	225 1.23	89	SP6583L2225	2225 12.19
10	SP6863L0250	250 0.91	90	SP6863L2250	2250 8.19	10	SP6873L0250	250 1.14	90	SP6873L2250	2250 10.26	10	SP6583L0250	250 1.37	90	SP6583L2250	2250 12.33
11	SP6863L0275	275 1.00	91	SP6863L2275	2275 8.28	11	SP6873L0275	275 1.25	91	SP6873L2275	2275 10.37	11	SP6583L0275	275 1.51	91	SP6583L2275	2275 12.47
12	SP6863L0300	300 1.09	92	SP6863L2300	2300 8.37	12	SP6873L0300	300 1.37	92	SP6873L2300	2300 10.49	12	SP6583L0300	300 1.64	92	SP6583L2300	2300 12.60
13	SP6863L0325	325 1.18	93	SP6863L2325	2325 8.46	13	SP6873L0325	325 1.48	93	SP6873L2325	2325 10.60	13	SP6583L0325	325 1.78	93	SP6583L2325	2325 12.74
14	SP6863L0350	350 1.27	94	SP6863L2350	2350 8.55	14	SP6873L0350	350 1.60	94	SP6873L2350	2350 10.72	14	SP6583L0350	350 1.92	94	SP6583L2350	2350 12.88
15	SP6863L0375	375 1.37	95	SP6863L2375	2375 8.65	15	SP6873L0375	375 1.71	95	SP6873L2375	2375 10.83	15	SP6583L0375	375 2.06	95	SP6583L2375	2375 13.02
16	SP6863L0400	400 1.46	96	SP6863L2400	2400 8.74	16	SP6873L0400	400 1.82	96	SP6873L2400	2400 10.94	16	SP6583L0400	400 2.19	96	SP6583L2400	2400 13.15
17	SP6863L0425	425 1.55	97	SP6863L2425	2425 8.83	17	SP6873L0425	425 1.94	97	SP6873L2425	2425 11.06	17	SP6583L0425	425 2.33	97	SP6583L2425	2425 13.29
18	SP6863L0450	450 1.64	98	SP6863L2450	2450 8.92	18	SP6873L0450	450 2.05	98	SP6873L2450	2450 11.17	18	SP6583L0450	450 2.47	98	SP6583L2450	2450 13.43
19	SP6863L0475	475 1.73	99	SP6863L2475	2475 9.01	19	SP6873L0475	475 2.17	99	SP6873L2475	2475 11.29	19	SP6583L0475	475 2.60	99	SP6583L2475	2475 13.56
20	SP6863L0500	500 1.82	100	SP6863L2500	2500 9.10	20	SP6873L0500	500 2.28	100	SP6873L2500	2500 11.40	20	SP6583L0500	500 2.74	100	SP6583L2500	2500 13.70
21	SP6863L0525	525 1.91	101	SP6863L2525	2525 9.19	21	SP6873L0525	525 2.39	101	SP6873L2525	2525 11.51	21	SP6583L0525	525 2.88	101	SP6583L2525	2525 13.84
22	SP6863L0550	550 2.00	102	SP6863L2550	2550 9.28	22	SP6873L0550	550 2.51	102	SP6873L2550	2550 11.63	22	SP6583L0550	550 3.01	102	SP6583L2550	2550 13.97
23	SP6863L0575	575 2.09	103	SP6863L2575	2575 9.37	23	SP6873L0575	575 2.62	103	SP6873L2575	2575 11.74	23	SP6583L0575	575 3.15	103	SP6583L2575	2575 14.11
24	SP6863L0600	600 2.18	104	SP6863L2600	2600 9.46	24	SP6873L0600	600 2.74	104	SP6873L2600	2600 11.86	24	SP6583L0600	600 3.29	104	SP6583L2600	2600 14.25
25	SP6863L0625	625 2.28	105	SP6863L2625	2625 9.56	25	SP6873L0625	625 2.85	105	SP6873L2625	2625 11.97	25	SP6583L0625	625 3.43	105	SP6583L2625	2625 14.39
26	SP6863L0650	650 2.37	106	SP6863L2650	2650 9.65	26	SP6873L0650	650 2.96	106	SP6873L2650	2650 12.08	26	SP6583L0650	650 3.56	106	SP6583L2650	2650 14.52
27	SP6863L0675	675 2.46	107	SP6863L2675	2675 9.74	27	SP6873L0675	675 3.08	107	SP6873L2675	2675 12.20	27	SP6583L0675	675 3.70	107	SP6583L2675	2675 14.66
28	SP6863L0700	700 2.55	108	SP6863L2700	2700 9.83	28	SP6873L0700	700 3.19	108	SP6873L2700	2700 12.31	28	SP6583L0700	700 3.84	108	SP6583L2700	2700 14.80
29	SP6863L0725	725 2.64	109	SP6863L2725	2725 9.92	29	SP6873L0725	725 3.31	109	SP6873L2725	2725 12.43	29	SP6583L0725	725 3.97	109	SP6583L2725	2725 14.93
30	SP6863L0750	750 2.73	110	SP6863L2750	2750 10.01	30	SP6873L0750	750 3.42	110	SP6873L2750	2750 12.54	30	SP6583L0750	750 4.11	110	SP6583L2750	2750 15.07
31	SP6863L0775	775 2.82	111	SP6863L2775	2775 10.10	31	SP6873L0775	775 3.53	111	SP6873L2775	2775 12.65	31	SP6583L0775	775 4.25	111	SP6583L2775	2775 15.21
32	SP6863L0800	800 2.91	112	SP6863L2800	2800 10.19	32	SP6873L0800	800 3.65	112	SP6873L2800	2800 12.77	32	SP6583L0800	800 4.38	112	SP6583L2800	2800 15.34
33	SP6863L0825	825 3.00	113	SP6863L2825	2825 10.28	33	SP6873L0825	825 3.76	113	SP6873L2825	2825 12.88	33	SP6583L0825	825 4.52	113	SP6583L2825	2825 15.48
34	SP6863L0850	850 3.09	114	SP6863L2850	2850 10.37	34	SP6873L0850	850 3.88	114	SP6873L2850	2850 13.00	34	SP6583L0850	850 4.66	114	SP6583L2850	2850 15.62
35	SP6863L0875	875 3.19	115	SP6863L2875	2875 10.46	35	SP6873L0875	875 3.99	115	SP6873L2875	2875 13.11	35	SP6583L0875	875 4.80	115	SP6583L2875	2875 15.76
36	SP6863L0900	900 3.28	116	SP6863L2900	2900 10.56	36	SP6873L0900	900 4.10	116	SP6873L2900	2900 13.22	36	SP6583L0900	900 4.93	116	SP6583L2900	2900 15.89
37	SP6863L0925	925 3.37	117	SP6863L2925	2925 10.65	37	SP6873L0925	925 4.22	117	SP6873L2925	2925 13.34	37	SP6583L0925	925 5.07	117	SP6583L2925	2925 16.03
38	SP6863L0950	950 3.46	118	SP6863L2950	2950 10.74	38	SP6873L0950	950 4.33	118	SP6873L2950	2950 13.45	38	SP6583L0950	950 5.21	118	SP6583L2950	2950 16.17
39	SP6863L0975	975 3.55	119	SP6863L2975	2975 10.83	39	SP6873L0975	975 4.45	119	SP6873L2975	2975 13.57	39	SP6583L0975	975 5.34	119	SP6583L2975	2975 16.30
40	SP6863L1000	1000 3.64	120	SP6863L3000	3000 10.92	40	SP6873L1000	1000 4.56	120	SP6873L3000	3000 13.68	40	SP6583L1000	1000 5.48	120	SP6583L3000	3000 16.44
41	SP6863L1025	1025 3.73	121	SP6863L3025	3025 11.01	41	SP6873L1025	1025 4.67	121	SP6873L3025	3025 13.79	41	SP6583L1025	1025 5.62	121	SP6583L3025	3025 16.58
42	SP6863L1050	1050 3.82	122	SP6863L3050	3050 11.10	42	SP6873L1050	1050 4.79	122	SP6873L3050	3050 13.91	42	SP6583L1050	1050 5.75	122	SP6583L3050	3050 16.71
43	SP6863L1075	1075 3.91	123	SP6863L3075	3075 11.19	43	SP6873L1075	1075 4.90	123	SP6873L3075	3075 14.02	43	SP6583L1075	1075 5.89	123	SP6583L3075	3075 16.85
44	SP6863L1100	1100 4.00	124	SP6863L3100	3100 11.28	44	SP6873L1100	1100 5.02	124	SP6873L3100	3100 14.14	44	SP6583L1100	1100 6.03	124	SP6583L3100	3100 16.99
45	SP6863L1125	1125 4.10	125	SP6863L3125	3125 11.38	45	SP6873L1125	1125 5.13	125	SP6873L3125	3125 14.25	45	SP6583L1125	1125 6.17	125	SP6583L3125	3125 17.13
46	SP6863L1150	1150 4.19	126	SP6863L3150	3150 11.47	46	SP6873L1150	1150 5.24	126	SP6873L3150	3150 14.36	46	SP6583L1150	1150 6.30	126	SP6583L3150	3150 17.26
47	SP6863L1175	1175 4.28	127	SP6863L3175	3175 11.56	47	SP6873L1175	1175 5.36	127	SP6873L3175	3175 14.48	47	SP6583L1175	1175 6.44	127	SP6583L3175	3175 17.40
48	SP6863L1200	1200 4.37	128	SP6863L3200	3200 11.65	48	SP6873L1200	1200 5.47	128	SP6873L3200	3200 14.59	48	SP6583L1200	1200 6.58	128	SP6583L3200	3200 17.54
49	SP6863L1225	1225 4.46	129	SP6863L3225	3225 11.74	49	SP6873L1225	1225 5.59	129	SP6873L3225	3225 14.71	49	SP6583L1225	1225 6.71	129	SP6583L3225	3225 17.67
50	SP6863L1250	1250 4.55	130	SP6863L3250	3250 11.83	50	SP6873L1250	1250 5.70	130	SP6873L3250	3250 14.82	50	SP6583L1250	1250 6.85	130	SP6583L3250	3250 17.81
51	SP6863L1275	1275 4.64	131	SP6863L3275	3275 11.92	51	SP6873L1275	1275 5.81	131	SP6873L3275	3275 14.93	51	SP6583L1275	1275 6.99	131	SP6583L3275	3275 17.95
52	SP6863L1300	1300 4.73	132	SP6863L3300	3300 12.01	52	SP6873L1300	1300 5.93	132	SP6873L3300	3300 15.05	52	SP6583L1300	1300 7.12	132	SP6583L3300	3300 18.08
53	SP6863L1325	1325 4.82	133	SP686													

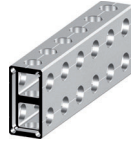


**SP6723K**  
Profile 40 x 40, natural



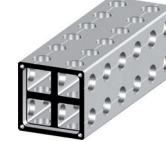
- Matrix 40
- Ø 20

**SP6733K**  
Profile 40 x 80, natural



- Matrix 40
- Ø 20

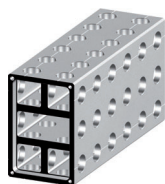
**SP6753K**  
Profile 80 x 80, natural



- Matrix 40
- Ø 20

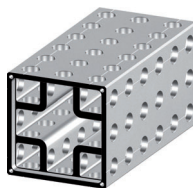
SP6723K			SP6733K			SP6753K		
Nº	l	kg	Nº	l	kg	Nº	l	kg
1	SP6723K0040	40 0.08	1	SP6733K0040	40 0.14	1	SP6753K0040	40 0.26
2	SP6723K0080	80 0.15	2	SP6733K0080	80 0.28	2	SP6753K0080	80 0.51
3	SP6723K0120	120 0.23	3	SP6733K0120	120 0.42	3	SP6753K0120	120 0.77
4	SP6723K0160	160 0.30	4	SP6733K0160	160 0.56	4	SP6753K0160	160 1.02
5	SP6723K0200	200 0.38	5	SP6733K0200	200 0.71	5	SP6753K0200	200 1.28
6	SP6723K0240	240 0.46	6	SP6733K0240	240 0.85	6	SP6753K0240	240 1.53
7	SP6723K0280	280 0.53	7	SP6733K0280	280 0.99	7	SP6753K0280	280 1.79
8	SP6723K0320	320 0.61	8	SP6733K0320	320 1.13	8	SP6753K0320	320 2.04
9	SP6723K0360	360 0.68	9	SP6733K0360	360 1.27	9	SP6753K0360	360 2.30
10	SP6723K0400	400 0.76	10	SP6733K0400	400 1.41	10	SP6753K0400	400 2.55
11	SP6723K0440	440 0.84	11	SP6733K0440	440 1.55	11	SP6753K0440	440 2.81
12	SP6723K0480	480 0.91	12	SP6733K0480	480 1.69	12	SP6753K0480	480 3.06
13	SP6723K0520	520 0.99	13	SP6733K0520	520 1.83	13	SP6753K0520	520 3.32
14	SP6723K0560	560 1.06	14	SP6733K0560	560 1.97	14	SP6753K0560	560 3.57
15	SP6723K0600	600 1.14	15	SP6733K0600	600 2.12	15	SP6753K0600	600 3.83
16	SP6723K0640	640 1.22	16	SP6733K0640	640 2.26	16	SP6753K0640	640 4.08
17	SP6723K0680	680 1.29	17	SP6733K0680	680 2.40	17	SP6753K0680	680 4.34
18	SP6723K0720	720 1.37	18	SP6733K0720	720 2.54	18	SP6753K0720	720 4.59
19	SP6723K0760	760 1.44	19	SP6733K0760	760 2.68	19	SP6753K0760	760 4.85
20	SP6723K0800	800 1.52	20	SP6733K0800	800 2.82	20	SP6753K0800	800 5.10
21	SP6723K0840	840 1.60	21	SP6733K0840	840 2.96	21	SP6753K0840	840 5.36
22	SP6723K0880	880 1.67	22	SP6733K0880	880 3.10	22	SP6753K0880	880 5.61
23	SP6723K0920	920 1.75	23	SP6733K0920	920 3.24	23	SP6753K0920	920 5.87
24	SP6723K0960	960 1.82	24	SP6733K0960	960 3.38	24	SP6753K0960	960 6.12
25	SP6723K1000	1000 1.90	25	SP6733K1000	1000 3.53	25	SP6753K1000	1000 6.38
26	SP6723K1040	1040 1.98	26	SP6733K1040	1040 3.67	26	SP6753K1040	1040 6.63
27	SP6723K1080	1080 2.05	27	SP6733K1080	1080 3.81	27	SP6753K1080	1080 6.89
28	SP6723K1120	1120 2.13	28	SP6733K1120	1120 3.95	28	SP6753K1120	1120 7.14
29	SP6723K1160	1160 2.20	29	SP6733K1160	1160 4.09	29	SP6753K1160	1160 7.40
30	SP6723K1200	1200 2.28	30	SP6733K1200	1200 4.23	30	SP6753K1200	1200 7.65
31	SP6723K1240	1240 2.36	31	SP6733K1240	1240 4.37	31	SP6753K1240	1240 7.91
32	SP6723K1280	1280 2.43	32	SP6733K1280	1280 4.51	32	SP6753K1280	1280 8.16
33	SP6723K1320	1320 2.51	33	SP6733K1320	1320 4.65	33	SP6753K1320	1320 8.42
34	SP6723K1360	1360 2.58	34	SP6733K1360	1360 4.79	34	SP6753K1360	1360 8.67
35	SP6723K1400	1400 2.66	35	SP6733K1400	1400 4.94	35	SP6753K1400	1400 8.93
36	SP6723K1440	1440 2.74	36	SP6733K1440	1440 5.08	36	SP6753K1440	1440 9.18
37	SP6723K1480	1480 2.81	37	SP6733K1480	1480 5.22	37	SP6753K1480	1480 9.44
38	SP6723K1520	1520 2.89	38	SP6733K1520	1520 5.36	38	SP6753K1520	1520 9.69
39	SP6723K1560	1560 2.96	39	SP6733K1560	1560 5.50	39	SP6753K1560	1560 9.95
40	SP6723K1600	1600 3.04	40	SP6733K1600	1600 5.64	40	SP6753K1600	1600 10.20
41	SP6723K1640	1640 3.12	41	SP6733K1640	1640 5.78	41	SP6753K1640	1640 10.46
42	SP6723K1680	1680 3.19	42	SP6733K1680	1680 5.92	42	SP6753K1680	1680 10.71
43	SP6723K1720	1720 3.27	43	SP6733K1720	1720 6.06	43	SP6753K1720	1720 10.97
44	SP6723K1760	1760 3.34	44	SP6733K1760	1760 6.20	44	SP6753K1760	1760 11.22
45	SP6723K1800	1800 3.42	45	SP6733K1800	1800 6.35	45	SP6753K1800	1800 11.48
46	SP6723K1840	1840 3.50	46	SP6733K1840	1840 6.49	46	SP6753K1840	1840 11.73
47	SP6723K1880	1880 3.57	47	SP6733K1880	1880 6.63	47	SP6753K1880	1880 11.99
48	SP6723K1920	1920 3.65	48	SP6733K1920	1920 6.77	48	SP6753K1920	1920 12.24
49	SP6723K1960	1960 3.72	49	SP6733K1960	1960 6.91	49	SP6753K1960	1960 12.50
50	SP6723K2000	2000 3.80	50	SP6733K2000	2000 7.05	50	SP6753K2000	2000 12.75
51	SP6733K2040	2040 7.19	51	SP6753K2040	2040 13.01			
52	SP6733K2080	2080 7.33	52	SP6753K2080	2080 13.26			
53	SP6733K2120	2120 7.47	53	SP6753K2120	2120 13.52			
54	SP6733K2160	2160 7.61	54	SP6753K2160	2160 13.77			
55	SP6733K2200	2200 7.76	55	SP6753K2200	2200 14.03			
56	SP6733K2240	2240 7.90	56	SP6753K2240	2240 14.28			
57	SP6733K2280	2280 8.04	57	SP6753K2280	2280 14.54			
58	SP6733K2320	2320 8.18	58	SP6753K2320	2320 14.79			
59	SP6733K2360	2360 8.32	59	SP6753K2360	2360 15.05			
60	SP6733K2400	2400 8.46	60	SP6753K2400	2400 15.30			
61	SP6733K2440	2440 8.60	61	SP6753K2440	2440 15.56			
62	SP6733K2480	2480 8.74	62	SP6753K2480	2480 15.81			
63	SP6733K2520	2520 8.88	63	SP6753K2520	2520 16.07			
64	SP6733K2560	2560 9.02	64	SP6753K2560	2560 16.32			
65	SP6733K2600	2600 9.17	65	SP6753K2600	2600 16.58			
66	SP6733K2640	2640 9.31	66	SP6753K2640	2640 16.83			
67	SP6733K2680	2680 9.45	67	SP6753K2680	2680 17.09			
68	SP6733K2720	2720 9.59	68	SP6753K2720	2720 17.34			
69	SP6733K2760	2760 9.73	69	SP6753K2760	2760 17.60			
70	SP6733K2800	2800 9.87	70	SP6753K2800	2800 17.85			
71	SP6733K2840	2840 10.01	71	SP6753K2840	2840 18.11			
72	SP6733K2880	2880 10.15	72	SP6753K2880	2880 18.36			
73	SP6733K2920	2920 10.29	73	SP6753K2920	2920 18.62			
74	SP6733K2960	2960 10.43	74	SP6753K2960	2960 18.87			
75	SP6733K3000	3000 10.58	75	SP6753K3000	3000 19.13			
76	SP6733K3040	3040 10.72	76	SP6753K3040	3040 19.38			
77	SP6733K3080	3080 10.86	77	SP6753K3080	3080 19.64			
78	SP6733K3120	3120 11.00	78	SP6753K3120	3120 19.89			
79	SP6733K3160	3160 11.14	79	SP6753K3160	3160 20.15			
80	SP6733K3200	3200 11.28	80	SP6753K3200	3200 20.40			





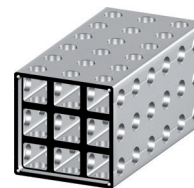
**SP6763K**  
Profile 80 x 120, natural

- Matrix 40
- Ø 20



**SP6773K**  
Profile 120 x 120, natural

- Matrix 40
- Ø 20



**SP6783K bridge**  
Profile 120 x 120, natural

- Matrix 40
- Ø 20

SP6763K			SP6773K			SP6783K			SP6763K			SP6773K			SP6783K																																																																																																																																																																																																																																																																																																																																																																																																																																																																																				
Nº	l	kg	Nº	l	kg	Nº	l	kg	Nº	l	kg	Nº	l	kg	Nº	l	kg																																																																																																																																																																																																																																																																																																																																																																																																																																																																																		
1	SP6763K0040	40	0.35	81	SP6773K0040	40	0.44	81	SP6783K0040	40	0.53	81	SP6763K3240	3240	28.27	82	SP6773K0080	80	0.88	82	SP6783K0080	80	1.06	82	SP6763K3280	3280	28.62	83	SP6773K0120	120	1.31	83	SP6783K0120	120	1.60	83	SP6763K3320	3320	28.97	84	SP6773K0160	160	1.75	84	SP6783K0160	160	2.13	84	SP6763K3360	3360	29.32	85	SP6773K0200	200	2.19	85	SP6783K0200	200	2.66	85	SP6763K3400	3400	29.67	86	SP6773K0240	240	2.63	86	SP6783K0240	240	3.19	86	SP6763K3440	3440	30.01	87	SP6773K0280	280	3.07	87	SP6783K0280	280	3.72	87	SP6763K3480	3480	30.36	88	SP6773K0320	320	3.50	88	SP6783K0320	320	4.26	88	SP6763K3520	3520	30.71	89	SP6773K0360	360	3.94	89	SP6783K0360	360	4.79	89	SP6763K3560	3560	31.06	90	SP6773K0400	400	4.38	90	SP6783K0400	400	5.32	90	SP6763K3600	3600	31.41	91	SP6773K0440	440	4.82	91	SP6783K0440	440	5.85	91	SP6763K3640	3640	31.76	92	SP6773K0480	480	5.26	92	SP6783K0480	480	6.38	92	SP6763K3680	3680	32.11	93	SP6773K0520	520	5.69	93	SP6783K0520	520	6.92	93	SP6763K3720	3720	32.46	94	SP6773K0560	560	6.13	94	SP6783K0560	560	7.45	94	SP6763K3760	3760	32.81	95	SP6773K0600	600	6.57	95	SP6783K0600	600	7.98	95	SP6763K3800	3800	33.16	96	SP6773K0640	640	7.01	96	SP6783K0640	640	8.51	96	SP6763K3840	3840	33.50	97	SP6773K0680	680	7.45	97	SP6783K0680	680	9.04	97	SP6763K3880	3880	33.85	98	SP6773K0720	720	7.88	98	SP6783K0720	720	9.58	98	SP6763K3920	3920	34.20	99	SP6773K0760	760	8.32	99	SP6783K0760	760	10.11	99	SP6763K3960	3960	34.55	100	SP6773K0800	800	8.76	100	SP6783K0800	800	10.64	100	SP6763K4000	4000	34.90	21	SP6783K0840	840	11.17	22	SP6783K0880	880	11.70	23	SP6783K0920	920	12.24	24	SP6783K0960	960	12.77	25	SP6783K1000	1000	13.30	26	SP6783K1040	1040	13.83	27	SP6783K1080	1080	14.36	28	SP6783K1120	1120	14.90	29	SP6783K1160	1160	15.43	30	SP6783K1200	1200	15.96	31	SP6783K1240	1240	16.49	32	SP6783K1280	1280	17.02	33	SP6783K1320	1320	17.56	34	SP6783K1360	1360	18.09	35	SP6783K1400	1400	18.62	36	SP6783K1440	1440	19.15	37	SP6783K1480	1480	19.68	38	SP6783K1520	1520	20.22	39	SP6783K1560	1560	20.75	40	SP6783K1600	1600	21.28	41	SP6783K1640	1640	21.81	42	SP6783K1680	1680	22.34	43	SP6783K1720	1720	22.88	44	SP6783K1760	1760	23.41	45	SP6783K1800	1800	23.94	46	SP6783K1840	1840	24.47	47	SP6783K1880	1880	25.00	48	SP6783K1920	1920	25.54	49	SP6783K1960	1960	26.07	50	SP6783K2000	2000	26.60	51	SP6783K2040	2040	27.13	52	SP6783K2080	2080	27.66	53	SP6783K2120	2120	28.20	54	SP6783K2160	2160	28.73	55	SP6783K2200	2200	29.26	56	SP6783K2240	2240	29.79	57	SP6783K2280	2280	30.32	58	SP6783K2320	2320	30.86	59	SP6783K2360	2360	31.39	60	SP6783K2400	2400	31.92	61	SP6783K2440	2440	32.45	62	SP6783K2480	2480	32.98	63	SP6783K2520	2520	33.52	64	SP6783K2560	2560	34.05	65	SP6783K2600	2600	34.58	66	SP6783K2640	2640	35.11	67	SP6783K2680	2680	35.64	68	SP6783K2720	2720	36.18	69	SP6783K2760	2760	36.71	70	SP6783K2800	2800	37.24	71	SP6783K2840	2840	37.77	72	SP6783K2880	2880	38.30	73	SP6783K2920	2920	38.84	74	SP6783K2960	2960	39.37	75	SP6783K3000	3000	39.90	76	SP6783K3040	3040	40.43	77	SP6783K3080	3080	40.96	78	SP6783K3120	3120	41.50	79	SP6783K3160	3160	42.03	80	SP6783K3200	3200	42.56

**SP6723L**  
Profile 40 x 40, black



- Matrix 40
- Ø 20

**SP6733L**  
Profile 40 x 80, black



- Matrix 40
- Ø 20

**SP6753L**  
Profil 80 x 80, black



- Matrix 40
- Ø 20

SP6723L			SP6733L			SP6733L			SP6753L			SP6753L			
Nº	l	kg	Nº	l	kg	Nº	l	kg	Nº	l	kg	Nº	l	kg	
1	SP6723L0040	40	0.08	1	SP6733L0040	40	0.14	81	SP6733L3240	3240	11.42	1	SP6753L0040	40	0.26
2	SP6723L0080	80	0.15	2	SP6733L0080	80	0.28	82	SP6733L3280	3280	11.56	2	SP6753L0080	80	0.51
3	SP6723L0120	120	0.23	3	SP6733L0120	120	0.42	83	SP6733L3320	3320	11.70	3	SP6753L0120	120	0.77
4	SP6723L0160	160	0.30	4	SP6733L0160	160	0.56	84	SP6733L3360	3360	11.84	4	SP6753L0160	160	1.02
5	SP6723L0200	200	0.38	5	SP6733L0200	200	0.71	85	SP6733L3400	3400	11.99	5	SP6753L0200	200	1.28
6	SP6723L0240	240	0.46	6	SP6733L0240	240	0.85	86	SP6733L3440	3440	12.13	6	SP6753L0240	240	1.53
7	SP6723L0280	280	0.53	7	SP6733L0280	280	0.99	87	SP6733L3480	3480	12.27	7	SP6753L0280	280	1.79
8	SP6723L0320	320	0.61	8	SP6733L0320	320	1.13	88	SP6733L3520	3520	12.41	8	SP6753L0320	320	2.04
9	SP6723L0360	360	0.68	9	SP6733L0360	360	1.27	89	SP6733L3560	3560	12.55	9	SP6753L0360	360	2.30
10	SP6723L0400	400	0.76	10	SP6733L0400	400	1.41	90	SP6733L3600	3600	12.69	10	SP6753L0400	400	2.55
11	SP6723L0440	440	0.84	11	SP6733L0440	440	1.55	91	SP6733L3640	3640	12.83	11	SP6753L0440	440	2.81
12	SP6723L0480	480	0.91	12	SP6733L0480	480	1.69	92	SP6733L3680	3680	12.97	12	SP6753L0480	480	3.06
13	SP6723L0520	520	0.99	13	SP6733L0520	520	1.83	93	SP6733L3720	3720	13.11	13	SP6753L0520	520	3.32
14	SP6723L0560	560	1.06	14	SP6733L0560	560	1.97	94	SP6733L3760	3760	13.25	14	SP6753L0560	560	3.57
15	SP6723L0600	600	1.14	15	SP6733L0600	600	2.12	95	SP6733L3800	3800	13.40	15	SP6753L0600	600	3.83
16	SP6723L0640	640	1.22	16	SP6733L0640	640	2.26	96	SP6733L3840	3840	13.54	16	SP6753L0640	640	4.08
17	SP6723L0680	680	1.29	17	SP6733L0680	680	2.40	97	SP6733L3880	3880	13.68	17	SP6753L0680	680	4.34
18	SP6723L0720	720	1.37	18	SP6733L0720	720	2.54	98	SP6733L3920	3920	13.82	18	SP6753L0720	720	4.59
19	SP6723L0760	760	1.44	19	SP6733L0760	760	2.68	99	SP6733L3960	3960	13.96	19	SP6753L0760	760	4.85
20	SP6723L0800	800	1.52	20	SP6733L0800	800	2.82	100	SP6733L4000	4000	14.10	20	SP6753L0800	800	5.10
21	SP6723L0840	840	1.60	21	SP6733L0840	840	2.96	21	SP6753L0840	840	5.36				
22	SP6723L0880	880	1.67	22	SP6733L0880	880	3.10	22	SP6753L0880	880	5.61				
23	SP6723L0920	920	1.75	23	SP6733L0920	920	3.24	23	SP6753L0920	920	5.87				
24	SP6723L0960	960	1.82	24	SP6733L0960	960	3.38	24	SP6753L0960	960	6.12				
25	SP6723L1000	1000	1.90	25	SP6733L1000	1000	3.53	25	SP6753L1000	1000	6.38				
26	SP6723L1040	1040	1.98	26	SP6733L1040	1040	3.67	26	SP6753L1040	1040	6.63				
27	SP6723L1080	1080	2.05	27	SP6733L1080	1080	3.81	27	SP6753L1080	1080	6.89				
28	SP6723L1120	1120	2.13	28	SP6733L1120	1120	3.95	28	SP6753L1120	1120	7.14				
29	SP6723L1160	1160	2.20	29	SP6733L1160	1160	4.09	29	SP6753L1160	1160	7.40				
30	SP6723L1200	1200	2.28	30	SP6733L1200	1200	4.23	30	SP6753L1200	1200	7.65				
31	SP6723L1240	1240	2.36	31	SP6733L1240	1240	4.37	31	SP6753L1240	1240	7.91				
32	SP6723L1280	1280	2.43	32	SP6733L1280	1280	4.51	32	SP6753L1280	1280	8.16				
33	SP6723L1320	1320	2.51	33	SP6733L1320	1320	4.65	33	SP6753L1320	1320	8.42				
34	SP6723L1360	1360	2.58	34	SP6733L1360	1360	4.79	34	SP6753L1360	1360	8.67				
35	SP6723L1400	1400	2.66	35	SP6733L1400	1400	4.94	35	SP6753L1400	1400	8.93				
36	SP6723L1440	1440	2.74	36	SP6733L1440	1440	5.08	36	SP6753L1440	1440	9.18				
37	SP6723L1480	1480	2.81	37	SP6733L1480	1480	5.22	37	SP6753L1480	1480	9.44				
38	SP6723L1520	1520	2.89	38	SP6733L1520	1520	5.36	38	SP6753L1520	1520	9.69				
39	SP6723L1560	1560	2.96	39	SP6733L1560	1560	5.50	39	SP6753L1560	1560	9.95				
40	SP6723L1600	1600	3.04	40	SP6733L1600	1600	5.64	40	SP6753L1600	1600	10.20				
41	SP6723L1640	1640	3.12	41	SP6733L1640	1640	5.78	41	SP6753L1640	1640	10.46				
42	SP6723L1680	1680	3.19	42	SP6733L1680	1680	5.92	42	SP6753L1680	1680	10.71				
43	SP6723L1720	1720	3.27	43	SP6733L1720	1720	6.06	43	SP6753L1720	1720	10.97				
44	SP6723L1760	1760	3.34	44	SP6733L1760	1760	6.20	44	SP6753L1760	1760	11.22				
45	SP6723L1800	1800	3.42	45	SP6733L1800	1800	6.35	45	SP6753L1800	1800	11.48				
46	SP6723L1840	1840	3.50	46	SP6733L1840	1840	6.49	46	SP6753L1840	1840	11.73				
47	SP6723L1880	1880	3.57	47	SP6733L1880	1880	6.63	47	SP6753L1880	1880	11.99				
48	SP6723L1920	1920	3.65	48	SP6733L1920	1920	6.77	48	SP6753L1920	1920	12.24				
49	SP6723L1960	1960	3.72	49	SP6733L1960	1960	6.91	49	SP6753L1960	1960	12.50				
50	SP6723L2000	2000	3.80	50	SP6733L2000	2000	7.05	50	SP6753L2000	2000	12.75				
51	SP6733L2040	2040	7.19	51	SP6753L2040	2040	13.01								
52	SP6733L2080	2080	7.33	52	SP6753L2080	2080	13.26								
53	SP6733L2120	2120	7.47	53	SP6753L2120	2120	13.52								
54	SP6733L2160	2160	7.61	54	SP6753L2160	2160	13.77								
55	SP6733L2200	2200	7.76	55	SP6753L2200	2200	14.03								
56	SP6733L2240	2240	7.90	56	SP6753L2240	2240	14.28								
57	SP6733L2280	2280	8.04	57	SP6753L2280	2280	14.54								
58	SP6733L2320	2320	8.18	58	SP6753L2320	2320	14.79								
59	SP6733L2360	2360	8.32	59	SP6753L2360	2360	15.05								
60	SP6733L2400	2400	8.46	60	SP6753L2400	2400	15.30								
61	SP6733L2440	2440	8.60	61	SP6753L2440	2440	15.56								
62	SP6733L2480	2480	8.74	62	SP6753L2480	2480	15.81								
63	SP6733L2520	2520	8.88	63	SP6753L2520	2520	16.07								
64	SP6733L2560	2560	9.02	64	SP6753L2560	2560	16.32								
65	SP6733L2600	2600	9.17	65	SP6753L2600	2600	16.58								
66	SP6733L2640	2640	9.31	66	SP6753L2640	2640	16.83								
67	SP6733L2680	2680	9.45	67	SP6753L2680	2680	17.09								
68	SP6733L2720	2720	9.59	68	SP6753L2720	2720	17.34								
69	SP6733L2760	2760	9.73	69	SP6753L2760	2760	17.60								
70	SP6733L2800	2800	9.87	70	SP6753L2800	2800	17.85								
71	SP6733L2840	2840	10.01	71	SP6753L2840	2840	18.11								
72	SP6733L2880	2880	10.15	72	SP6753L2880	2880	18.36								
73	SP6733L2920	2920	10.29	73	SP6753L2920	2920	18.62								
74	SP6733L2960	2960	10.43	74	SP6753L2960	2960	18.87								
75	SP6733L3000	3000	10.58	75	SP6753L3000	3000	19.13								
76	SP6733L3040	3040	10.72	76	SP6753L3040	3040	19.38								
77	SP6733L3080	3080	10.86	77	SP6753L3080	3080	19.64								
78	SP6733L3120	3120	11.00	78	SP6753L3120	3120	19.89								
79	SP6733L3160	3160	11.14	79	SP6753L3160	3160	20.15								
80	SP6733L3200	3200	11.28	80	SP6753L3200	3200	20.40								



**SP6763L**  
Profile 80 x 120, black

- Matrix 40
- Ø 20



**SP6773L**  
Profile 120 x 120, black

- Matrix 40
- Ø 20



**SP6783L bridge**  
Profil 120 x 120, black

- Matrix 40
- Ø 20

SP6763L			SP6773L			SP6783L			SP6763L			SP6773L			SP6783L		
Nº	l	kg	Nº	l	kg	Nº	l	kg	Nº	l	kg	Nº	l	kg	Nº	l	kg
1	SP6763L0040	40	0.35	81	SP6763L3240	3240	28.27	1	SP6783L0040	40	0.53	81	SP6783L3240	3240	43.09		
2	SP6763L0080	80	0.70	82	SP6763L3280	3280	28.62	2	SP6783L0080	80	1.06	82	SP6783L3280	3280	43.62		
3	SP6763L0120	120	1.05	83	SP6763L3320	3320	28.97	3	SP6783L0120	120	1.60	83	SP6783L3320	3320	44.16		
4	SP6763L0160	160	1.40	84	SP6763L3360	3360	29.32	4	SP6783L0160	160	2.13	84	SP6783L3360	3360	44.69		
5	SP6763L0200	200	1.75	85	SP6763L3400	3400	29.67	5	SP6783L0200	200	2.66	85	SP6783L3400	3400	45.22		
6	SP6763L0240	240	2.09	86	SP6763L3440	3440	30.01	6	SP6783L0240	240	3.19	86	SP6783L3440	3440	45.75		
7	SP6763L0280	280	2.44	87	SP6763L3480	3480	30.36	7	SP6783L0280	280	3.72	87	SP6783L3480	3480	46.28		
8	SP6763L0320	320	2.79	88	SP6763L3520	3520	30.71	8	SP6783L0320	320	4.26	88	SP6783L3520	3520	46.82		
9	SP6763L0360	360	3.14	89	SP6763L3560	3560	31.06	9	SP6783L0360	360	4.79	89	SP6783L3560	3560	47.35		
10	SP6763L0400	400	3.49	90	SP6763L3600	3600	31.41	10	SP6783L0400	400	5.32	90	SP6783L3600	3600	47.88		
11	SP6763L0440	440	3.84	91	SP6763L3640	3640	31.76	11	SP6783L0440	440	5.85	91	SP6783L3640	3640	48.41		
12	SP6763L0480	480	4.19	92	SP6763L3680	3680	32.11	12	SP6783L0480	480	6.38	92	SP6783L3680	3680	48.94		
13	SP6763L0520	520	4.54	93	SP6763L3720	3720	32.46	13	SP6783L0520	520	6.92	93	SP6783L3720	3720	49.48		
14	SP6763L0560	560	4.89	94	SP6763L3760	3760	32.81	14	SP6783L0560	560	7.45	94	SP6783L3760	3760	50.01		
15	SP6763L0600	600	5.24	95	SP6763L3800	3800	33.16	15	SP6783L0600	600	7.98	95	SP6783L3800	3800	50.54		
16	SP6763L0640	640	5.58	96	SP6763L3840	3840	33.50	16	SP6783L0640	640	8.51	96	SP6783L3840	3840	51.07		
17	SP6763L0680	680	5.93	97	SP6763L3880	3880	33.85	17	SP6783L0680	680	9.04	97	SP6783L3880	3880	51.60		
18	SP6763L0720	720	6.28	98	SP6763L3920	3920	34.20	18	SP6783L0720	720	9.58	98	SP6783L3920	3920	52.14		
19	SP6763L0760	760	6.63	99	SP6763L3960	3960	34.55	19	SP6783L0760	760	10.11	99	SP6783L3960	3960	52.67		
20	SP6763L0800	800	6.98	100	SP6763L4000	4000	34.90	20	SP6783L0800	800	10.64	100	SP6783L4000	4000	53.20		
21	SP6763L0840	840	7.33					21	SP6783L0840	840	11.17						
22	SP6763L0880	880	7.68					22	SP6783L0880	880	11.70						
23	SP6763L0920	920	8.03					23	SP6783L0920	920	12.24						
24	SP6763L0960	960	8.38					24	SP6783L0960	960	12.77						
25	SP6763L1000	1000	8.73					25	SP6783L1000	1000	13.30						
26	SP6763L1040	1040	9.07					26	SP6783L1040	1040	13.83						
27	SP6763L1080	1080	9.42					27	SP6783L1080	1080	14.36						
28	SP6763L1120	1120	9.77					28	SP6783L1120	1120	14.90						
29	SP6763L1160	1160	10.12					29	SP6783L1160	1160	15.43						
30	SP6763L1200	1200	10.47					30	SP6783L1200	1200	15.96						
31	SP6763L1240	1240	10.82					31	SP6783L1240	1240	16.49						
32	SP6763L1280	1280	11.17					32	SP6783L1280	1280	17.02						
33	SP6763L1320	1320	11.52					33	SP6783L1320	1320	17.56						
34	SP6763L1360	1360	11.87					34	SP6783L1360	1360	18.09						
35	SP6763L1400	1400	12.22					35	SP6783L1400	1400	18.62						
36	SP6763L1440	1440	12.56					36	SP6783L1440	1440	19.15						
37	SP6763L1480	1480	12.91					37	SP6783L1480	1480	19.68						
38	SP6763L1520	1520	13.26					38	SP6783L1520	1520	20.22						
39	SP6763L1560	1560	13.61					39	SP6783L1560	1560	20.75						
40	SP6763L1600	1600	13.96					40	SP6783L1600	1600	21.28						
41	SP6763L1640	1640	14.31					41	SP6783L1640	1640	21.81						
42	SP6763L1680	1680	14.66					42	SP6783L1680	1680	22.34						
43	SP6763L1720	1720	15.01					43	SP6783L1720	1720	22.88						
44	SP6763L1760	1760	15.36					44	SP6783L1760	1760	23.41						
45	SP6763L1800	1800	15.71					45	SP6783L1800	1800	23.94						
46	SP6763L1840	1840	16.05					46	SP6783L1840	1840	24.47						
47	SP6763L1880	1880	16.40					47	SP6783L1880	1880	25.00						
48	SP6763L1920	1920	16.75					48	SP6783L1920	1920	25.54						
49	SP6763L1960	1960	17.10					49	SP6783L1960	1960	26.07						
50	SP6763L2000	2000	17.45					50	SP6783L2000	2000	26.60						
51	SP6763L2040	2040	17.80					51	SP6783L2040	2040	27.13						
52	SP6763L2080	2080	18.15					52	SP6783L2080	2080	27.66						
53	SP6763L2120	2120	18.50					53	SP6783L2120	2120	28.20						
54	SP6763L2160	2160	18.85					54	SP6783L2160	2160	28.73						
55	SP6763L2200	2200	19.20					55	SP6783L2200	2200	29.26						
56	SP6763L2240	2240	19.54					56	SP6783L2240	2240	29.79						
57	SP6763L2280	2280	19.89					57	SP6783L2280	2280	30.32						
58	SP6763L2320	2320	20.24					58	SP6783L2320	2320	30.86						
59	SP6763L2360	2360	20.59					59	SP6783L2360	2360	31.39						
60	SP6763L2400	2400	20.94					60	SP6783L2400	2400	31.92						
61	SP6763L2440	2440	21.29					61	SP6783L2440	2440	32.45						
62	SP6763L2480	2480	21.64					62	SP6783L2480	2480	32.98						
63	SP6763L2520	2520	21.99					63	SP6783L2520	2520	33.52						
64	SP6763L2560	2560	22.34					64	SP6783L2560	2560	34.05						
65	SP6763L2600	2600	22.69					65	SP6783L2600	2600	34.58						
66	SP6763L2640	2640	23.03					66	SP6783L2640	2640	35.11						
67	SP6763L2680	2680	23.38					67	SP6783L2680	2680	35.64						
68	SP6763L2720	2720	23.73					68	SP6783L2720	2720	36.18						
69	SP6763L2760	2760	24.08					69	SP6783L2760	2760	36.71						
70	SP6763L2800	2800	24.43					70	SP6783L2800	2800	37.24						
71	SP6763L2840	2840	24.78					71	SP6783L2840	2840	37.77						
72	SP6763L2880	2880	25.13					72	SP6783L2880	2880	38.30						
73	SP6763L2920	2920	25.48					73	SP6783L2920	2920	38.84						
74	SP6763L2960	2960	25.83					74	SP6783L2960	2960	39.37						
75	SP6763L3000	3000	26.18					75	SP6783L3000	3000	39.90						
76	SP6763L3040	3040	26.52					76	SP6783L3040	3040	40.43						
77	SP6763L3080	3080	26.87					77	SP6783L3080	3080	40.96						
78	SP6763L3120	3120	27.22					78	SP6783L3120	3120	41.50						
79	SP6763L3160	3160	27.57					79	SP6783L3160	3160	42.03						
80	SP6763L3200	3200	27.92					80	SP6783L3200	3200	42.56						

**SP6623K**  
 Profile 50 x 50, natural



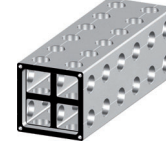
- Matrix 50
- Ø 25

**SP6633K**  
 Profile 50 x 100, natural



- Matrix 50
- Ø 25

**SP6653K**  
 Profile 100 x 100, natural

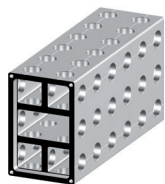


- Matrix 50
- Ø 25

Nº	l	kg
1	SP6623K0050	50 0.15
2	SP6623K0100	100 0.30
3	SP6623K0150	150 0.45
4	SP6623K0200	200 0.60
5	SP6623K0250	250 0.76
6	SP6623K0300	300 0.91
7	SP6623K0350	350 1.06
8	SP6623K0400	400 1.21
9	SP6623K0450	450 1.36
10	SP6623K0500	500 1.51
11	SP6623K0550	550 1.66
12	SP6623K0600	600 1.81
13	SP6623K0650	650 1.96
14	SP6623K0700	700 2.11
15	SP6623K0750	750 2.27
16	SP6623K0800	800 2.42
17	SP6623K0850	850 2.57
18	SP6623K0900	900 2.72
19	SP6623K0950	950 2.87
20	SP6623K1000	1000 3.02
21	SP6623K1050	1050 3.17
22	SP6623K1100	1100 3.32
23	SP6623K1150	1150 3.47
24	SP6623K1200	1200 3.62
25	SP6623K1250	1250 3.78
26	SP6623K1300	1300 3.93
27	SP6623K1350	1350 4.08
28	SP6623K1400	1400 4.23
29	SP6623K1450	1450 4.38
30	SP6623K1500	1500 4.53
31	SP6623K1550	1550 4.68
32	SP6623K1600	1600 4.83
33	SP6623K1650	1650 4.98
34	SP6623K1700	1700 5.13
35	SP6623K1750	1750 5.29
36	SP6623K1800	1800 5.44
37	SP6623K1850	1850 5.59
38	SP6623K1900	1900 5.74
39	SP6623K1950	1950 5.89
40	SP6623K2000	2000 6.04
41	SP6623K2050	2050 6.19
42	SP6623K2100	2100 6.34
43	SP6623K2150	2150 6.49
44	SP6623K2200	2200 6.64
45	SP6623K2250	2250 6.80
46	SP6623K2300	2300 6.95
47	SP6623K2350	2350 7.10
48	SP6623K2400	2400 7.25
49	SP6623K2450	2450 7.40
50	SP6623K2500	2500 7.55
51	SP6623K2550	2550 7.70
52	SP6623K2600	2600 7.85
53	SP6623K2650	2650 8.00
54	SP6623K2700	2700 8.15
55	SP6623K2750	2750 8.31
56	SP6623K2800	2800 8.46
57	SP6623K2850	2850 8.61
58	SP6623K2900	2900 8.76
59	SP6623K2950	2950 8.91
60	SP6623K3000	3000 9.06

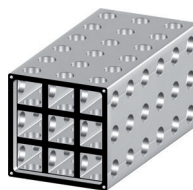
Nº	l	kg
1	SP6633K0050	50 0.28
2	SP6633K0100	100 0.55
3	SP6633K0150	150 0.83
4	SP6633K0200	200 1.10
5	SP6633K0250	250 1.38
6	SP6633K0300	300 1.66
7	SP6633K0350	350 1.93
8	SP6633K0400	400 2.21
9	SP6633K0450	450 2.48
10	SP6633K0500	500 2.76
11	SP6633K0550	550 3.04
12	SP6633K0600	600 3.31
13	SP6633K0650	650 3.59
14	SP6633K0700	700 3.86
15	SP6633K0750	750 4.14
16	SP6633K0800	800 4.42
17	SP6633K0850	850 4.69
18	SP6633K0900	900 4.97
19	SP6633K0950	950 5.24
20	SP6633K1000	1000 5.52
21	SP6633K1050	1050 5.80
22	SP6633K1100	1100 6.07
23	SP6633K1150	1150 6.35
24	SP6633K1200	1200 6.62
25	SP6633K1250	1250 6.90
26	SP6633K1300	1300 7.18
27	SP6633K1350	1350 7.45
28	SP6633K1400	1400 7.73
29	SP6633K1450	1450 8.00
30	SP6633K1500	1500 8.28
31	SP6633K1550	1550 8.56
32	SP6633K1600	1600 8.83
33	SP6633K1650	1650 9.11
34	SP6633K1700	1700 9.38
35	SP6633K1750	1750 9.66
36	SP6633K1800	1800 9.94
37	SP6633K1850	1850 10.21
38	SP6633K1900	1900 10.49
39	SP6633K1950	1950 10.76
40	SP6633K2000	2000 11.04
41	SP6633K2050	2050 11.32
42	SP6633K2100	2100 11.59
43	SP6633K2150	2150 11.87
44	SP6633K2200	2200 12.14
45	SP6633K2250	2250 12.42
46	SP6633K2300	2300 12.70
47	SP6633K2350	2350 12.97
48	SP6633K2400	2400 13.25
49	SP6633K2450	2450 13.52
50	SP6633K2500	2500 13.80
51	SP6633K2550	2550 14.08
52	SP6633K2600	2600 14.35
53	SP6633K2650	2650 14.63
54	SP6633K2700	2700 14.90
55	SP6633K2750	2750 15.18
56	SP6633K2800	2800 15.46
57	SP6633K2850	2850 15.73
58	SP6633K2900	2900 16.01
59	SP6633K2950	2950 16.28
60	SP6633K3000	3000 16.56
61	SP6633K3050	3050 16.84
62	SP6633K3100	3100 17.11
63	SP6633K3150	3150 17.39
64	SP6633K3200	3200 17.66
65	SP6633K3250	3250 17.94
66	SP6633K3300	3300 18.22
67	SP6633K3350	3350 18.49
68	SP6633K3400	3400 18.77
69	SP6633K3450	3450 19.04
70	SP6633K3500	3500 19.32
71	SP6633K3550	3550 19.60
72	SP6633K3600	3600 19.87
73	SP6633K3650	3650 20.15
74	SP6633K3700	3700 20.42
75	SP6633K3750	3750 20.70
76	SP6633K3800	3800 20.98
77	SP6633K3850	3850 21.25
78	SP6633K3900	3900 21.53
79	SP6633K3950	3950 21.80
80	SP6633K4000	4000 22.08

Nº	l	kg
1	SP6653K0050	50 0.49
2	SP6653K0100	100 0.98
3	SP6653K0150	150 1.47
4	SP6653K0200	200 1.96
5	SP6653K0250	250 2.45
6	SP6653K0300	300 2.93
7	SP6653K0350	350 3.42
8	SP6653K0400	400 3.91
9	SP6653K0450	450 4.40
10	SP6653K0500	500 4.89
11	SP6653K0550	550 5.38
12	SP6653K0600	600 5.87
13	SP6653K0650	650 6.36
14	SP6653K0700	700 6.85
15	SP6653K0750	750 7.34
16	SP6653K0800	800 7.82
17	SP6653K0850	850 8.31
18	SP6653K0900	900 8.80
19	SP6653K0950	950 9.29
20	SP6653K1000	1000 9.78
21	SP6653K1050	1050 10.27
22	SP6653K1100	1100 10.76
23	SP6653K1150	1150 11.25
24	SP6653K1200	1200 11.74
25	SP6653K1250	1250 12.23
26	SP6653K1300	1300 12.71
27	SP6653K1350	1350 13.20
28	SP6653K1400	1400 13.69
29	SP6653K1450	1450 14.18
30	SP6653K1500	1500 14.67
31	SP6653K1550	1550 15.16
32	SP6653K1600	1600 15.65
33	SP6653K1650	1650 16.14
34	SP6653K1700	1700 16.63
35	SP6653K1750	1750 17.12
36	SP6653K1800	1800 17.60
37	SP6653K1850	1850 18.09
38	SP6653K1900	1900 18.58
39	SP6653K1950	1950 19.07
40	SP6653K2000	2000 19.56
41	SP6653K2050	2050 20.05
42	SP6653K2100	2100 20.54
43	SP6653K2150	2150 21.03
44	SP6653K2200	2200 21.52
45	SP6653K2250	2250 22.01
46	SP6653K2300	2300 22.49
47	SP6653K2350	2350 22.98
48	SP6653K2400	2400 23.47
49	SP6653K2450	2450 23.96
50	SP6653K2500	2500 24.45
51	SP6653K2550	2550 24.94
52	SP6653K2600	2600 25.43
53	SP6653K2650	2650 25.92
54	SP6653K2700	2700 26.41
55	SP6653K2750	2750 26.90
56	SP6653K2800	2800 27.38
57	SP6653K2850	2850 27.87
58	SP6653K2900	2900 28.36
59	SP6653K2950	2950 28.85
60	SP6653K3000	3000 29.34
61	SP6653K3050	3050 29.83
62	SP6653K3100	3100 30.32
63	SP6653K3150	3150 30.81
64	SP6653K3200	3200 31.30
65	SP6653K3250	3250 31.79
66	SP6653K3300	3300 32.27
67	SP6653K3350	3350 32.76
68	SP6653K3400	3400 33.25
69	SP6653K3450	3450 33.74
70	SP6653K3500	3500 34.23
71	SP6653K3550	3550 34.72
72	SP6653K3600	3600 35.21
73	SP6653K3650	3650 35.70
74	SP6653K3700	3700 36.19
75	SP6653K3750	3750 36.68
76	SP6653K3800	3800 37.16
77	SP6653K3850	3850 37.65
78	SP6653K3900	3900 38.14
79	SP6653K3950	3950 38.63
80	SP6653K4000	4000 39.12



**SP6663K**  
Profile 100 x 150, natural

- Matrix 50
- Ø 25



**SP6693K bridge**  
Profile 150 x 150, natural

- Matrix 50
- Ø 25

Nº	l	kg
1	50	0.67
2	100	1.33
3	150	2.00
4	200	2.66
5	250	3.33
6	300	4.00
7	350	4.66
8	400	5.33
9	450	5.99
10	500	6.66
11	550	7.33
12	600	7.99
13	650	8.66
14	700	9.32
15	750	9.99
16	800	10.66
17	850	11.32
18	900	11.99
19	950	12.65
20	1000	13.32
21	1050	13.99
22	1100	14.65
23	1150	15.32
24	1200	15.98
25	1250	16.65
26	1300	17.32
27	1350	17.98
28	1400	18.65
29	1450	19.31
30	1500	19.98
31	1550	20.65
32	1600	21.31
33	1650	21.98
34	1700	22.64
35	1750	23.31
36	1800	23.98
37	1850	24.64
38	1900	25.31
39	1950	25.97
40	2000	26.64
41	2050	27.31
42	2100	27.97
43	2150	28.64
44	2200	29.30
45	2250	29.97
46	2300	30.64
47	2350	31.30
48	2400	31.97
49	2450	32.63
50	2500	33.30
51	2550	33.97
52	2600	34.63
53	2650	35.30
54	2700	35.96
55	2750	36.63
56	2800	37.30
57	2850	37.96
58	2900	38.63
59	2950	39.29
60	3000	39.96
61	3050	40.63
62	3100	41.29
63	3150	41.96
64	3200	42.62
65	3250	43.29
66	3300	43.96
67	3350	44.62
68	3400	45.29
69	3450	45.95
70	3500	46.62
71	3550	47.29
72	3600	47.95
73	3650	48.62
74	3700	49.28
75	3750	49.95
76	3800	50.62
77	3850	51.28
78	3900	51.95
79	3950	52.61
80	4000	53.28

Nº	l	kg
1	50	1.00
2	100	2.00
3	150	2.99
4	200	3.99
5	250	4.99
6	300	5.99
7	350	6.99
8	400	7.98
9	450	8.98
10	500	9.98
11	550	10.98
12	600	11.98
13	650	12.97
14	700	13.97
15	750	14.97
16	800	15.97
17	850	16.97
18	900	17.96
19	950	18.96
20	1000	19.96
21	1050	20.96
22	1100	21.96
23	1150	22.95
24	1200	23.95
25	1250	24.95
26	1300	25.95
27	1350	26.95
28	1400	27.94
29	1450	28.94
30	1500	29.94
31	1550	30.94
32	1600	31.94
33	1650	32.93
34	1700	33.93
35	1750	34.93
36	1800	35.93
37	1850	36.93
38	1900	37.92
39	1950	38.92
40	2000	39.92
41	2050	40.92
42	2100	41.92
43	2150	42.91
44	2200	43.91
45	2250	44.91
46	2300	45.91
47	2350	46.91
48	2400	47.90
49	2450	48.90
50	2500	49.90
51	2550	50.90
52	2600	51.90
53	2650	52.89
54	2700	53.89
55	2750	54.89
56	2800	55.89
57	2850	56.89
58	2900	57.88
59	2950	58.88
60	3000	59.88
61	3050	60.88
62	3100	61.88
63	3150	62.87
64	3200	63.87
65	3250	64.87
66	3300	65.87
67	3350	66.87
68	3400	67.86
69	3450	68.86
70	3500	69.86
71	3550	70.86
72	3600	71.86
73	3650	72.85
74	3700	73.85
75	3750	74.85
76	3800	75.85
77	3850	76.85
78	3900	77.84
79	3950	78.84
80	4000	79.84



**SP6623L**  
 Profile 50 x 50, black

- Matrix 50
- Ø 25



**SP6633L**  
 Profile 50 x 100, black

- Matrix 50
- Ø 25



**SP6653L**  
 Profile 100 x 100, black

- Matrix 50
- Ø 25

	№	l	kg
1	SP6623L0050	50	0.15
2	SP6623L0100	100	0.30
3	SP6623L0150	150	0.45
4	SP6623L0200	200	0.60
5	SP6623L0250	250	0.76
6	SP6623L0300	300	0.91
7	SP6623L0350	350	1.06
8	SP6623L0400	400	1.21
9	SP6623L0450	450	1.36
10	SP6623L0500	500	1.51
11	SP6623L0550	550	1.66
12	SP6623L0600	600	1.81
13	SP6623L0650	650	1.96
14	SP6623L0700	700	2.11
15	SP6623L0750	750	2.27
16	SP6623L0800	800	2.42
17	SP6623L0850	850	2.57
18	SP6623L0900	900	2.72
19	SP6623L0950	950	2.87
20	SP6623L1000	1000	3.02
21	SP6623L1050	1050	3.17
22	SP6623L1100	1100	3.32
23	SP6623L1150	1150	3.47
24	SP6623L1200	1200	3.62
25	SP6623L1250	1250	3.78
26	SP6623L1300	1300	3.93
27	SP6623L1350	1350	4.08
28	SP6623L1400	1400	4.23
29	SP6623L1450	1450	4.38
30	SP6623L1500	1500	4.53
31	SP6623L1550	1550	4.68
32	SP6623L1600	1600	4.83
33	SP6623L1650	1650	4.98
34	SP6623L1700	1700	5.13
35	SP6623L1750	1750	5.29
36	SP6623L1800	1800	5.44
37	SP6623L1850	1850	5.59
38	SP6623L1900	1900	5.74
39	SP6623L1950	1950	5.89
40	SP6623L2000	2000	6.04
41	SP6623L2050	2050	6.19
42	SP6623L2100	2100	6.34
43	SP6623L2150	2150	6.49
44	SP6623L2200	2200	6.64
45	SP6623L2250	2250	6.80
46	SP6623L2300	2300	6.95
47	SP6623L2350	2350	7.10
48	SP6623L2400	2400	7.25
49	SP6623L2450	2450	7.40
50	SP6623L2500	2500	7.55
51	SP6623L2550	2550	7.70
52	SP6623L2600	2600	7.85
53	SP6623L2650	2650	8.00
54	SP6623L2700	2700	8.15
55	SP6623L2750	2750	8.31
56	SP6623L2800	2800	8.46
57	SP6623L2850	2850	8.61
58	SP6623L2900	2900	8.76
59	SP6623L2950	2950	8.91
60	SP6623L3000	3000	9.06

	№	l	kg
1	SP6633L0050	50	0.28
2	SP6633L0100	100	0.55
3	SP6633L0150	150	0.83
4	SP6633L0200	200	1.10
5	SP6633L0250	250	1.38
6	SP6633L0300	300	1.66
7	SP6633L0350	350	1.93
8	SP6633L0400	400	2.21
9	SP6633L0450	450	2.48
10	SP6633L0500	500	2.76
11	SP6633L0550	550	3.04
12	SP6633L0600	600	3.31
13	SP6633L0650	650	3.59
14	SP6633L0700	700	3.86
15	SP6633L0750	750	4.14
16	SP6633L0800	800	4.42
17	SP6633L0850	850	4.69
18	SP6633L0900	900	4.97
19	SP6633L0950	950	5.24
20	SP6633L1000	1000	5.52
21	SP6633L1050	1050	5.80
22	SP6633L1100	1100	6.07
23	SP6633L1150	1150	6.35
24	SP6633L1200	1200	6.62
25	SP6633L1250	1250	6.90
26	SP6633L1300	1300	7.18
27	SP6633L1350	1350	7.45
28	SP6633L1400	1400	7.73
29	SP6633L1450	1450	8.00
30	SP6633L1500	1500	8.28
31	SP6633L1550	1550	8.56
32	SP6633L1600	1600	8.83
33	SP6633L1650	1650	9.11
34	SP6633L1700	1700	9.38
35	SP6633L1750	1750	9.66
36	SP6633L1800	1800	9.94
37	SP6633L1850	1850	10.21
38	SP6633L1900	1900	10.49
39	SP6633L1950	1950	10.76
40	SP6633L2000	2000	11.04
41	SP6633L2050	2050	11.32
42	SP6633L2100	2100	11.59
43	SP6633L2150	2150	11.87
44	SP6633L2200	2200	12.14
45	SP6633L2250	2250	12.42
46	SP6633L2300	2300	12.70
47	SP6633L2350	2350	12.97
48	SP6633L2400	2400	13.25
49	SP6633L2450	2450	13.52
50	SP6633L2500	2500	13.80
51	SP6633L2550	2550	14.08
52	SP6633L2600	2600	14.35
53	SP6633L2650	2650	14.63
54	SP6633L2700	2700	14.90
55	SP6633L2750	2750	15.18
56	SP6633L2800	2800	15.46
57	SP6633L2850	2850	15.73
58	SP6633L2900	2900	16.01
59	SP6633L2950	2950	16.28
60	SP6633L3000	3000	16.56
61	SP6633L3050	3050	16.84
62	SP6633L3100	3100	17.11
63	SP6633L3150	3150	17.39
64	SP6633L3200	3200	17.66
65	SP6633L3250	3250	17.94
66	SP6633L3300	3300	18.22
67	SP6633L3350	3350	18.49
68	SP6633L3400	3400	18.77
69	SP6633L3450	3450	19.04
70	SP6633L3500	3500	19.32
71	SP6633L3550	3550	19.60
72	SP6633L3600	3600	19.87
73	SP6633L3650	3650	20.15
74	SP6633L3700	3700	20.42
75	SP6633L3750	3750	20.70
76	SP6633L3800	3800	20.98
77	SP6633L3850	3850	21.25
78	SP6633L3900	3900	21.53
79	SP6633L3950	3950	21.80
80	SP6633L4000	4000	22.08

	№	l	kg
1	SP6653L0050	50	0.49
2	SP6653L0100	100	0.98
3	SP6653L0150	150	1.47
4	SP6653L0200	200	1.96
5	SP6653L0250	250	2.45
6	SP6653L0300	300	2.93
7	SP6653L0350	350	3.42
8	SP6653L0400	400	3.91
9	SP6653L0450	450	4.40
10	SP6653L0500	500	4.89
11	SP6653L0550	550	5.38
12	SP6653L0600	600	5.87
13	SP6653L0650	650	6.36
14	SP6653L0700	700	6.85
15	SP6653L0750	750	7.34
16	SP6653L0800	800	7.82
17	SP6653L0850	850	8.31
18	SP6653L0900	900	8.80
19	SP6653L0950	950	9.29
20	SP6653L1000	1000	9.78
21	SP6653L1050	1050	10.27
22	SP6653L1100	1100	10.76
23	SP6653L1150	1150	11.25
24	SP6653L1200	1200	11.74
25	SP6653L1250	1250	12.23
26	SP6653L1300	1300	12.71
27	SP6653L1350	1350	13.20
28	SP6653L1400	1400	13.69
29	SP6653L1450	1450	14.18
30	SP6653L1500	1500	14.67
31	SP6653L1550	1550	15.16
32	SP6653L1600	1600	15.65
33	SP6653L1650	1650	16.14
34	SP6653L1700	1700	16.63
35	SP6653L1750	1750	17.12
36	SP6653L1800	1800	17.60
37	SP6653L1850	1850	18.09
38	SP6653L1900	1900	18.58
39	SP6653L1950	1950	19.07
40	SP6653L2000	2000	19.56
41	SP6653L2050	2050	20.05
42	SP6653L2100	2100	20.54
43	SP6653L2150	2150	21.03
44	SP6653L2200	2200	21.52
45	SP6653L2250	2250	22.01
46	SP6653L2300	2300	22.49
47	SP6653L2350	2350	22.98
48	SP6653L2400	2400	23.47
49	SP6653L2450	2450	23.96
50	SP6653L2500	2500	24.45
51	SP6653L2550	2550	24.94
52	SP6653L2600	2600	25.43
53	SP6653L2650	2650	25.92
54	SP6653L2700	2700	26.41
55	SP6653L2750	2750	26.90
56	SP6653L2800	2800	27.38
57	SP6653L2850	2850	27.87
58	SP6653L2900	2900	28.36
59	SP6653L2950	2950	28.85
60	SP6653L3000	3000	29.34
61	SP6653L3050	3050	29.83
62	SP6653L3100	3100	30.32
63	SP6653L3150	3150	30.81
64	SP6653L3200	3200	31.30
65	SP6653L3250	3250	31.79
66	SP6653L3300	3300	32.27
67	SP6653L3350	3350	32.76
68	SP6653L3400	3400	33.25
69	SP6653L3450	3450	33.74
70	SP6653L3500	3500	34.23
71	SP6653L3550	3550	34.72
72	SP6653L3600	3600	35.21
73	SP6653L3650	3650	35.70
74	SP6653L3700	3700	36.19
75	SP6653L3750	3750	36.68
76	SP6653L3800	3800	37.16
77	SP6653L3850	3850	37.65
78	SP6653L3900	3900	38.14
79	SP6653L3950	3950	38.63
80	SP6653L4000	4000	39.12



**SP6663L**  
Profile 100 x 150, black

- Matrix 50
- Ø 25

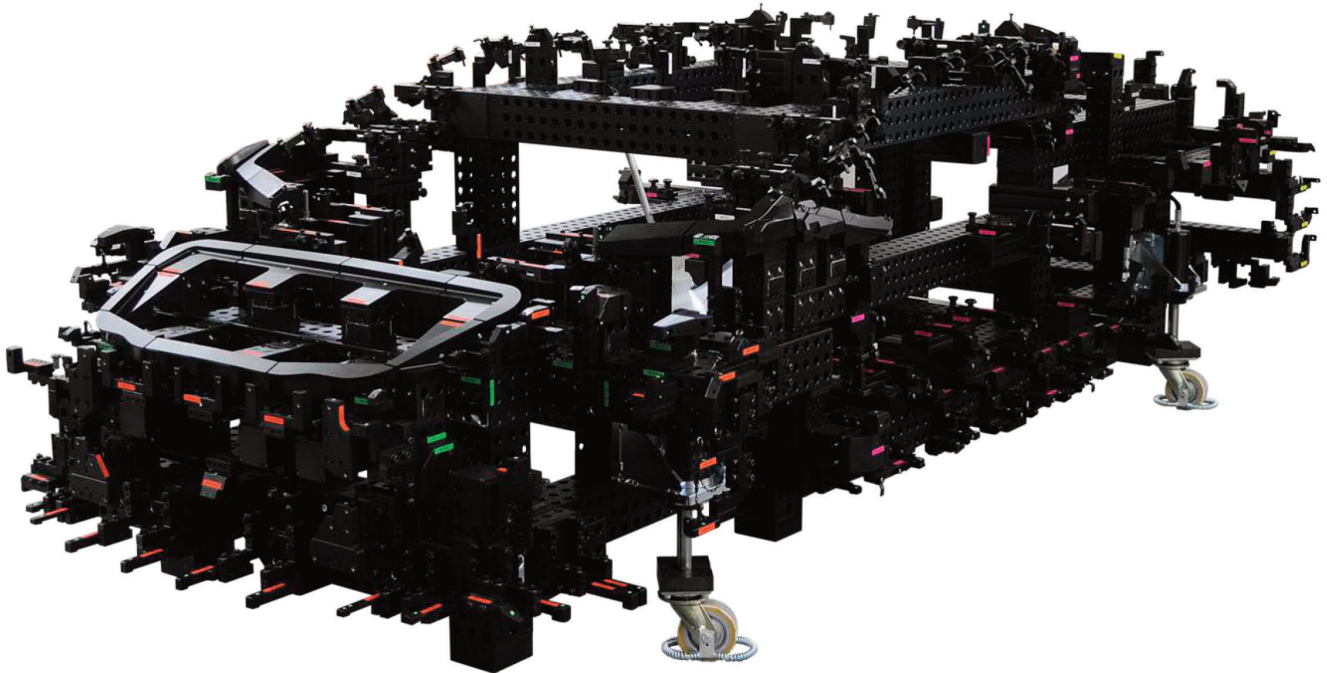


**SP6693L bridge**  
Profile 150 x 150, black

- Matrix 50
- Ø 25

Nº	l	kg
1	50	0.67
2	100	1.33
3	150	2.00
4	200	2.66
5	250	3.33
6	300	4.00
7	350	4.66
8	400	5.33
9	450	5.99
10	500	6.66
11	550	7.33
12	600	7.99
13	650	8.66
14	700	9.32
15	750	9.99
16	800	10.66
17	850	11.32
18	900	11.99
19	950	12.65
20	1000	13.32
21	1050	13.99
22	1100	14.65
23	1150	15.32
24	1200	15.98
25	1250	16.65
26	1300	17.32
27	1350	17.98
28	1400	18.65
29	1450	19.31
30	1500	19.98
31	1550	20.65
32	1600	21.31
33	1650	21.98
34	1700	22.64
35	1750	23.31
36	1800	23.98
37	1850	24.64
38	1900	25.31
39	1950	25.97
40	2000	26.64
41	2050	27.31
42	2100	27.97
43	2150	28.64
44	2200	29.30
45	2250	29.97
46	2300	30.64
47	2350	31.30
48	2400	31.97
49	2450	32.63
50	2500	33.30
51	2550	33.97
52	2600	34.63
53	2650	35.30
54	2700	35.96
55	2750	36.63
56	2800	37.30
57	2850	37.96
58	2900	38.63
59	2950	39.29
60	3000	39.96
61	3050	40.63
62	3100	41.29
63	3150	41.96
64	3200	42.62
65	3250	43.29
66	3300	43.96
67	3350	44.62
68	3400	45.29
69	3450	45.95
70	3500	46.62
71	3550	47.29
72	3600	47.95
73	3650	48.62
74	3700	49.28
75	3750	49.95
76	3800	50.62
77	3850	51.28
78	3900	51.95
79	3950	52.61
80	4000	53.28

Nº	l	kg
1	50	1.00
2	100	2.00
3	150	2.99
4	200	3.99
5	250	4.99
6	300	5.99
7	350	6.99
8	400	7.98
9	450	8.98
10	500	9.98
11	550	10.98
12	600	11.98
13	650	12.97
14	700	13.97
15	750	14.97
16	800	15.97
17	850	16.97
18	900	17.96
19	950	18.96
20	1000	19.96
21	1050	20.96
22	1100	21.96
23	1150	22.95
24	1200	23.95
25	1250	24.95
26	1300	25.95
27	1350	26.95
28	1400	27.94
29	1450	28.94
30	1500	29.94
31	1550	30.94
32	1600	31.94
33	1650	32.93
34	1700	33.93
35	1750	34.93
36	1800	35.93
37	1850	36.93
38	1900	37.92
39	1950	38.92
40	2000	39.92
41	2050	40.92
42	2100	41.92
43	2150	42.91
44	2200	43.91
45	2250	44.91
46	2300	45.91
47	2350	46.91
48	2400	47.90
49	2450	48.90
50	2500	49.90
51	2550	50.90
52	2600	51.90
53	2650	52.89
54	2700	53.89
55	2750	54.89
56	2800	55.89
57	2850	56.89
58	2900	57.88
59	2950	58.88
60	3000	59.88
61	3050	60.88
62	3100	61.88
63	3150	62.87
64	3200	63.87
65	3250	64.87
66	3300	65.87
67	3350	66.87
68	3400	67.86
69	3450	68.86
70	3500	69.86
71	3550	70.86
72	3600	71.86
73	3650	72.85
74	3700	73.85
75	3750	74.85
76	3800	75.85
77	3850	76.85
78	3900	77.84
79	3950	78.84
80	4000	79.84



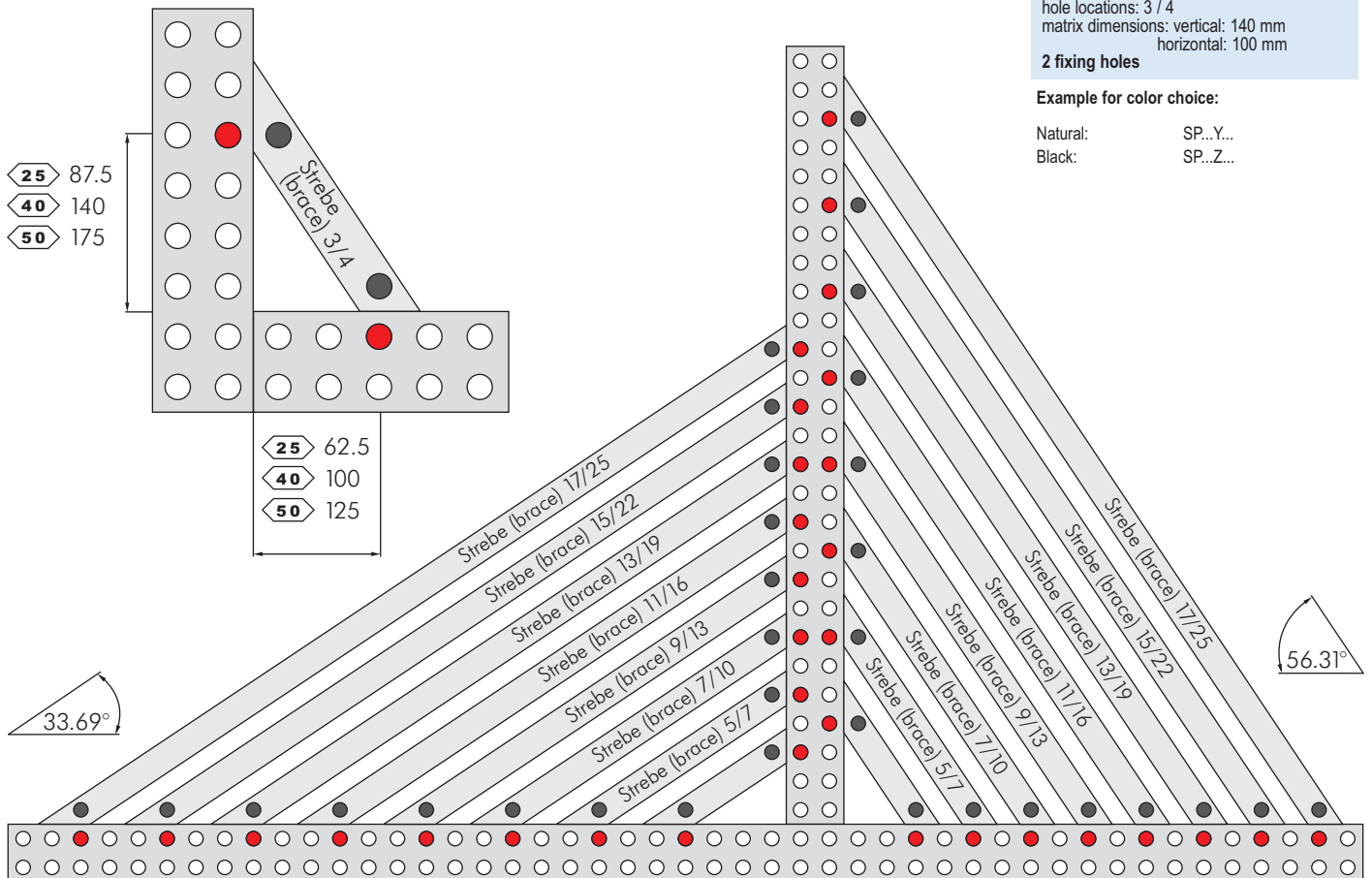
Exterior master jig



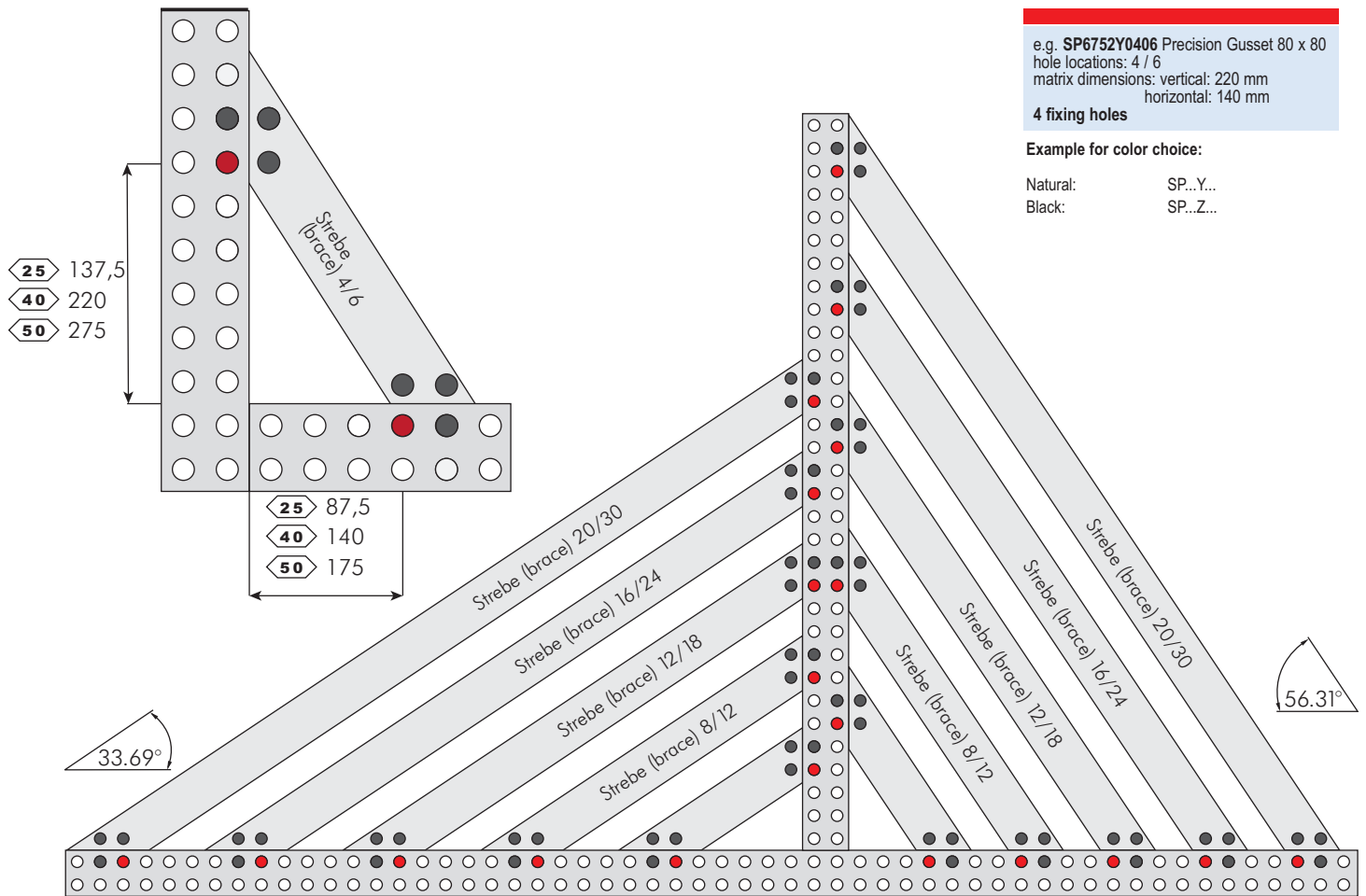
e.g. **SP6722Y0304** Precision Gusset 40 x 40  
 hole locations: 3 / 4  
 matrix dimensions: vertical: 140 mm  
 horizontal: 100 mm  
**2 fixing holes**

**Example for color choice:**

Natural: SP..Y...  
 Black: SP..Z...



Matrix	Profile	Gusset	Matrix Dimension		Gusset	Matrix Dimension		Gusset	Matrix Dimension		Gusset	Matrix Dimension	
			horizontal	vertical		horizontal	vertical		horizontal	vertical		horizontal	vertical
25	SP6822	Y 03 04	62.5	87.5	Y 05 07	112.5	162.5	Y 07 10	162.5	237.5	Y 09 13	212.5	312.5
40	SP6722	Y 03 04	100.0	140.0	Y 05 07	180.0	260.0	Y 07 10	260.0	380.0	Y 09 13	340.0	500.0
50	SP6622	Y 03 04	125.0	175.0	Y 05 07	225.0	325.0	Y 07 10	325.0	475.0	Y 09 13	425.0	625.0
25	SP6832	Y 03 04	62.5	87.5	Y 05 07	112.5	162.5	Y 07 10	162.5	237.5	Y 09 13	212.5	312.5
40	SP6732	Y 03 04	100.0	140.0	Y 05 07	180.0	260.0	Y 07 10	260.0	380.0	Y 09 13	340.0	500.0
50	SP6632	Y 03 04	125.0	175.0	Y 05 07	225.0	325.0	Y 07 10	325.0	475.0	Y 09 13	425.0	625.0
25	SP6832	Y 04 06	87.5	137.5	Y 08 12	187.5	287.5	Y 12 18	287.5	437.5	Y 16 24	387.5	587.5
40	SP6732	Y 04 06	140.0	220.0	Y 08 12	300.0	460.0	Y 12 18	460.0	700.0	Y 16 24	620.0	940.0
50	SP6632	Y 04 06	175.0	275.0	Y 08 12	375.0	575.0	Y 12 18	575.0	875.0	Y 16 24	775.0	1175.0
25	SP6852	Y 04 06	87.5	137.5	Y 08 12	187.5	287.5	Y 12 18	287.5	437.5	Y 16 24	387.5	587.5
40	SP6752	Y 04 06	140.0	220.0	Y 08 12	300.0	460.0	Y 12 18	460.0	700.0	Y 16 24	620.0	940.0
50	SP6652	Y 04 06	175.0	275.0	Y 08 12	375.0	575.0	Y 12 18	575.0	875.0	Y 16 24	775.0	1175.0



e.g. **SP6752Y0406** Precision Gusset 80 x 80  
 hole locations: 4 / 6  
 matrix dimensions: vertical: 220 mm  
 horizontal: 140 mm  
**4 fixing holes**

**Example for color choice:**

- Natural: SP...Y...
- Black: SP...Z...

Profile	Matrix Dimension			Gusset	Matrix Dimension			Gusset	Matrix Dimension			Gusset	Matrix Dimension			Profile
	Gusset	horizontal	vertical		horizontal	vertical	horizontal		vertical	horizontal	vertical		horizontal	vertical		
SP6822	Y 11 16	262.5	387.5	Y 13 19	312.5	462.5	Y 15 22	362.5	537.5	Y 17 25	412.5	612.5	25 x 25			
SP6722	Y 11 16	420.0	620.0	Y 13 19	500.0	740.0	Y 15 22	580.0	860.0	Y 17 25	660.0	980.0	40 x 40			
SP6622	Y 11 16	525.0	775.0	Y 13 19	625.0	925.0	Y 15 22	725.0	1075.0	Y 17 25	825.0	1225.0	50 x 50			

SP6832	Y 11 16	262.5	387.5	Y 13 19	312.5	462.5	Y 15 22	362.5	537.5	Y 17 25	412.5	612.5	25 x 50	flat
SP6732	Y 11 16	420.0	620.0	Y 13 19	500.0	740.0	Y 15 22	580.0	860.0	Y 17 25	660.0	980.0	40 x 80	flat
SP6632	Y 11 16	525.0	775.0	Y 13 19	625.0	925.0	Y 15 22	725.0	1075.0	Y 17 25	825.0	1225.0	50 x 100	flat

SP6832	Y 20 30	487.5	737.5
SP6732	Y 20 30	780.0	1180.0
SP6632	Y 20 30	975.0	1475.0

25 x 50
40 x 80
50 x 100

SP6852	Y 20 30	487.5	737.5
SP6752	Y 20 30	780.0	1180.0
SP6652	Y 20 30	975.0	1475.0

50 x 50
80 x 80
100 x 100

Example for color choice:

Natural reduced: SP...W...  
 Black reduced: SP...V...



Matrix	Profile	Gusset	Matrix Dimension		Gusset	Matrix Dimension		Gusset	Matrix Dimension		Gusset	Matrix Dimension	
			horizontal	vertical		horizontal	vertical		horizontal	vertical		horizontal	vertical
25	SP6822	<b>W03 04</b>	62.5	87.5	<b>W05 07</b>	112.5	162.5	<b>W07 10</b>	162.5	237.5	<b>W09 13</b>	212.5	312.5
40	SP6722	<b>W03 04</b>	100.0	140.0	<b>W05 07</b>	180.0	260.0	<b>W07 10</b>	260.0	380.0	<b>W09 13</b>	340.0	500.0
50	SP6622	<b>W03 04</b>	125.0	175.0	<b>W05 07</b>	225.0	325.0	<b>W07 10</b>	325.0	475.0	<b>W09 13</b>	425.0	625.0
25	SP6832	<b>W03 04</b>	62.5	87.5	<b>W05 07</b>	112.5	162.5	<b>W07 10</b>	162.5	237.5	<b>W09 13</b>	212.5	312.5
40	SP6732	<b>W03 04</b>	100.0	140.0	<b>W05 07</b>	180.0	260.0	<b>W07 10</b>	260.0	380.0	<b>W09 13</b>	340.0	500.0
50	SP6632	<b>W03 04</b>	125.0	175.0	<b>W05 07</b>	225.0	325.0	<b>W07 10</b>	325.0	475.0	<b>W09 13</b>	425.0	625.0
25	SP6832	<b>W04 06</b>	87.5	137.5	<b>W08 12</b>	187.5	287.5	<b>W12 18</b>	287.5	437.5	<b>W16 24</b>	387.5	587.5
40	SP6732	<b>W04 06</b>	140.0	220.0	<b>W08 12</b>	300.0	460.0	<b>W12 18</b>	460.0	700.0	<b>W16 24</b>	620.0	940.0
50	SP6632	<b>W04 06</b>	175.0	275.0	<b>W08 12</b>	375.0	575.0	<b>W12 18</b>	575.0	875.0	<b>W16 24</b>	775.0	1175.0
25	SP6852	<b>W04 06</b>	87.5	137.5	<b>W08 12</b>	187.5	287.5	<b>W12 18</b>	287.5	437.5	<b>W16 24</b>	387.5	587.5
40	SP6752	<b>W04 06</b>	140.0	220.0	<b>W08 12</b>	300.0	460.0	<b>W12 18</b>	460.0	700.0	<b>W16 24</b>	620.0	940.0
50	SP6652	<b>W04 06</b>	175.0	275.0	<b>W08 12</b>	375.0	575.0	<b>W12 18</b>	575.0	875.0	<b>W16 24</b>	775.0	1175.0



Example for color choice:

Natural reduced: SP...W...  
 Black reduced: SP...V...

Profile	Matrix Dimension			Gusset	Matrix Dimension			Gusset	Matrix Dimension			Gusset	Matrix Dimension			Profile
	Gusset	horizontal	vertical		horizontal	vertical	horizontal		vertical	horizontal	vertical		horizontal	vertical		
SP6822	W 11 16	262.5	387.5	W 13 19	312.5	462.5	W 15 22	362.5	537.5	W 17 25	412.5	612.5	25 x 25			
SP6722	W 11 16	420.0	620.0	W 13 19	500.0	740.0	W 15 22	580.0	860.0	W 17 25	660.0	980.0	40 x 40			
SP6622	W 11 16	525.0	775.0	W 13 19	625.0	925.0	W 15 22	725.0	1075.0	W 17 25	825.0	1225.0	50 x 50			

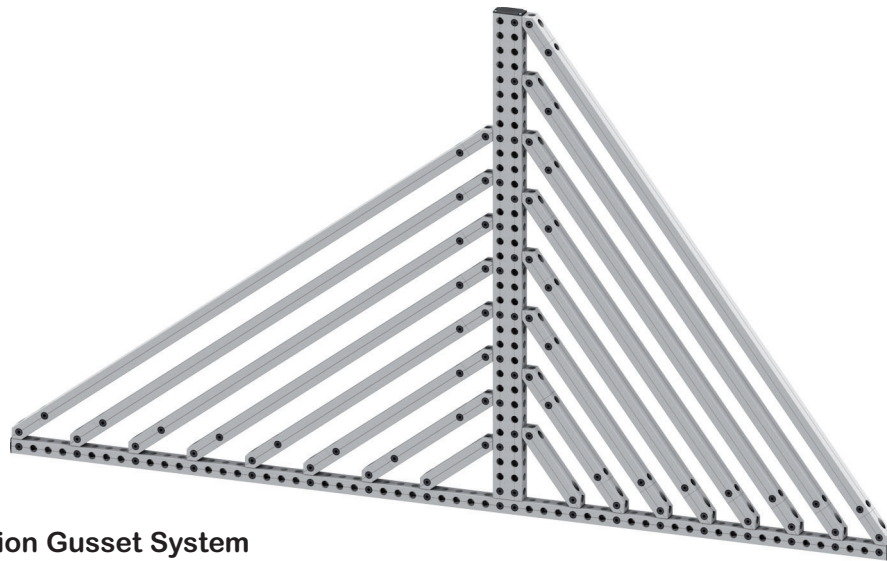
SP6832	W 11 16	262.5	387.5	W 13 19	312.5	462.5	W 15 22	362.5	537.5	W 17 25	412.5	612.5	25 x 50	flat
SP6732	W 11 16	420.0	620.0	W 13 19	500.0	740.0	W 15 22	580.0	860.0	W 17 25	660.0	980.0	40 x 80	flat
SP6632	W 11 16	525.0	775.0	W 13 19	625.0	925.0	W 15 22	725.0	1075.0	W 17 25	825.0	1225.0	50 x 100	flat

SP6832	W 20 30	487.5	737.5
SP6732	W 20 30	780.0	1180.0
SP6632	W 20 30	975.0	1475.0

25 x 50
40 x 80
50 x 100

SP6852	W 20 30	487.5	737.5
SP6752	W 20 30	780.0	1180.0
SP6652	W 20 30	975.0	1475.0

50 x 50
80 x 80
100 x 100



### Positioning Precision Gusset System

Matrix	Profile	Gusset	Matrix Dimension		Gusset	Matrix Dimension		Gusset	Matrix Dimension		Gusset	Matrix Dimension	
			horizontal	vertical		horizontal	vertical		horizontal	vertical		horizontal	vertical
25	SP6822N	04 05	87.5	112.5	07 09	162.5	212.5	10 13	237.5	312.5	13 17	312.5	412.5
25	SP6822N	16 21	387.5	512.5	19 25	462.5	612.5	22 29	537.5	712.5	25 33	612.5	812.5
25	SP6822S	04 05	87.5	112.5	07 09	162.5	212.5	10 13	237.5	312.5	13 17	312.5	412.5
25	SP6822S	16 21	387.5	512.5	19 25	462.5	616.5	22 29	537.5	712.5	25 33	612.5	812.5
40	SP6722N	04 05	140.0	180.0	07 09	260.0	340.0	10 13	380.0	540.0	13 17	500.0	700.0
40	SP6722N	16 21	620.0	860.0	19 25	740.0	1020.0	22 29	860.0	1180.0	25 33	980.0	1340.0
50	SP6622S	04 05	175.0	225.0	07 09	325.0	425.0	10 13	475.0	625.0	13 17	625.0	825.0
50	SP6622S	16 21	775.0	1025.0	19 25	925.0	1225.0	22 29	1075.0	1425.0	25 33	1225.0	1625.0

**Application:**

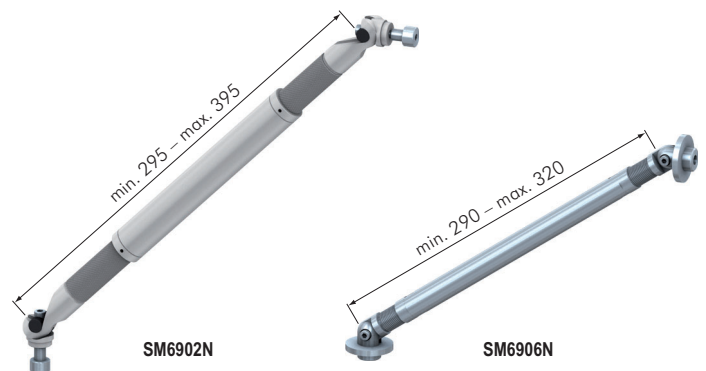
Positioning precision gussets for supporting columns or for strengthening fixture frameworks.

**Material:**

- N aluminum, natural anodized
- S aluminum, black anodized

### Round Precision Gussets

Matrix	natural	black	Description
25 / 40	SM6901N	SM6901S	Round Precision Gusset Al, 245-325
25 / 40	SM6902N	SM6902S	Round Precision Gusset Al, 295-395
25 / 40	SM6903N	SM6903S	Round Precision Gusset Al, variable length
25 / 40	SM6905N	-	Round Precision Gusset VA, 260-290
25 / 40	SM6906N	-	Round Precision Gusset VA, 290-320
25 / 40	SM6907N	-	Round Precision Gusset VA, variable length



**Application:**

Round precision gussets with variable length for supporting columns or strengthening fixture frameworks.

**Material:**

- Round Precision Gusset Al:
- N aluminum, natural anodized
  - S aluminum, black anodized
- Round Precision Gusset VA:
- stainless-steel

### Bushing Inserts

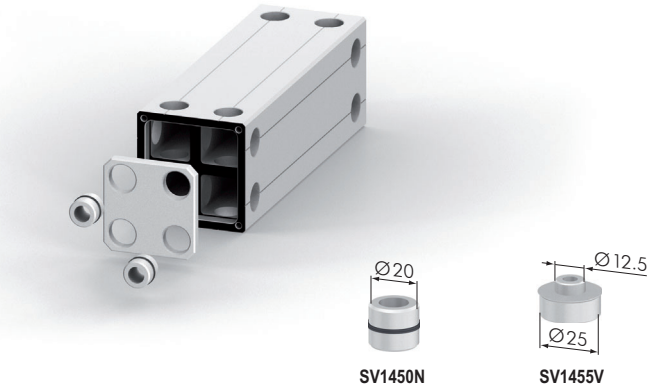
Matrix	natural	black	Description
25	SV1451N	SV1451S	Bushing Insert 25
40	SV1450N	SV1450S	Bushing Insert 40
50	SV1453N	SV1453S	Bushing Insert 50
25 / 50	SV1455V	SV1453S	Bushing Insert Ø 25 to Ø 12.5

**Application:**

Allows a precise connection of components of one series.

**Material:**

- N aluminum, natural anodized; with O-ring
- S aluminum, black anodized; with O-ring



### Precision Adapter

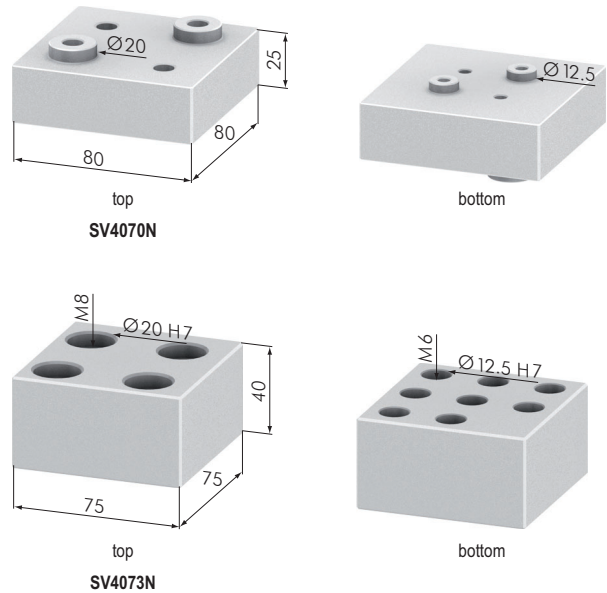
Matrix	natural	black	Description
25 / 40	SV4070N	SV4070S	Precision Adapter 80 / 50
25 / 40	SV4073N	SV4073S	Precision Adapter 75 / 80

**Application:**

Allows a precise connection of profiles of series 25 and series 40.

**Material:**

- N aluminum, natural anodized
- S aluminum, black anodized



### Mounting Plates

Matrix	natural	black	L x W
25	SV4120V	SV4120S	25 x 25
40	SV4005V	SV4005S	40 x 40
50	SV4140V	SV4140S	50 x 50



Matrix	natural	black	L x W
25	SV4123V	SV4123S	25 x 50
40	SV4006V	SV4006S	40 x 80
50	SV4141V	SV4141S	50 x 100



Matrix	natural	black	L x W
25	SV4121V	SV4121S	50 x 50
40	SV4007V	SV4007S	80 x 80
50	SV4142V	SV4142S	100 x 100



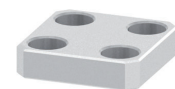
Matrix	natural	black	L x W
25	SV4124V	SV4124S	50 x 75
40	SV4004V	SV4004S	80 x 120
50	SV4143V	SV4143S	100 x 150



Matrix	natural	black	L x W
25	SV4122V	SV4122S	75 x 75
40	SV4008V	SV4008S	120 x 120
50	SV4144V	SV4144S	150 x 150



Matrix	natural	black	L x W
25	SV4129V	SV4129S	50 x 50 x 12
40	SV4009V	SV4009S	80 x 80 x 20



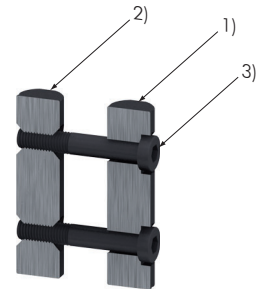
**Application:**

The mounting plate is going to be positioned at the end of the profile and enables a precise frontal positioning.

**Material:**

- N aluminum, natural anodized
- S aluminum, black anodized

### Bolt Connection Sets



- 1) Precision Bolt Km ... without thread
- 2) Precision Bolt M ...
- 3) Cap Head Screw M ...

Matrix	short	mid	long
25	SV4210S	SV4211S	SV4212S
40	SV4010S	SV4012S	SV4014S
50	SV4410S	SV4411S	SV4412S

#### Application

The connection is made with cap head screws.

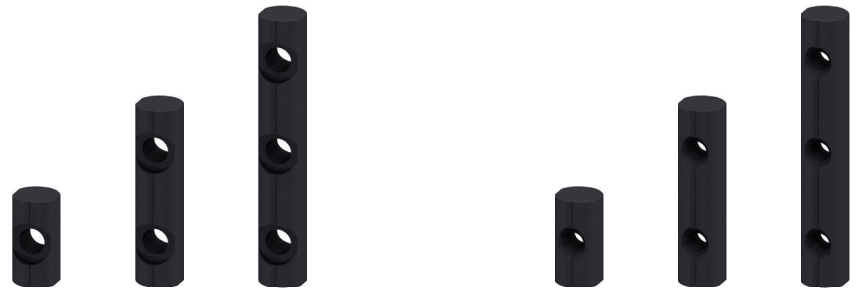
#### Material:

• S aluminum, black anodized

### Individual Components



Matrix	Cap Head Screw, with washer	
	DIN 912	Thread
25	SS2435V	M 6
40	SS1055V	M 10
50	SS2770V	M 12



Matrix	Thread	Precision Bolt Km ...		
		short	mid	long
25	Km6	SV1496S	SV1497S	SV1498S
40	Km6	SV1412S	SV1417S	SV1422S
40	Km8	SV1411S	SV1416S	SV1421S
40	Km10	SV1410S	SV1415S	SV1420S
50	Km12	SV1476S	SV1477S	SV1478S

Matrix	Thread	Precision Bolt M ...		
		short	mid	long
25	M 6	SV1493S	SV1494S	SV1495S
40	M 6	SV1427S	SV1432S	SV1437S
40	M 8	SV1426S	SV1431S	SV1436S
40	M 10	SV1425S	SV1430S	SV1435S
50	M 12	SV1473S	SV1474S	SV1475S

#### Material:

• steel, zinc-plated

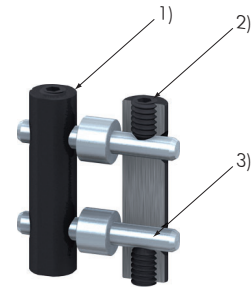
#### Material:

• S aluminum, black anodized

#### Material:

• S aluminum, black anodized

**Double Fastener Sets GA with positioning element**



- 1) Precision Fastener Housing
- 2) Grub Screw
- 3) Double Anchor GA

Matrix	short	mid	long
25	SV4252S	SV4251S	SV4250S
40	SV4052S	SV4051S	SV4050S
50	SV4452S	SV4451S	SV4450S

**Application:**

The double fastener set GA, with positioning element, allows an affixed connection.

**Material:**

- S aluminum, black anodized

**Individual Components**



Matrix	Double Anchors GA, with positioning element		
	standard	90°	-90°
25	SV7151V	SV7156V	SV7158V
40	SV7051V	SV7056V	SV7058V
50	SV7351V	SV7356V	SV7356V

**Material:**

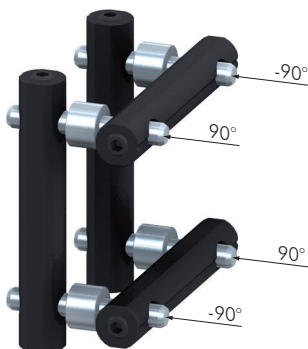
- stainless-steel



Matrix	Precision Fastener Housing		
	short	mid	long
25	SV1490S	SV1491S	SV1492S
40	SV1455S	SV1460S	SV1465S
50	SV1470S	SV1471S	SV1472S

**Material:**

- S aluminum, black anodized





### Double Fastener Sets G



Matrix	short	mid	long
25	SV4200S	SV4201S	SV4202S
40	SV4031S	SV4033S	SV4035S
50	SV4400S	SV4401S	SV4402S

**Application:**

The double fastener set G is to be used for specific connections.

**Material:**

• S aluminum, black anodized

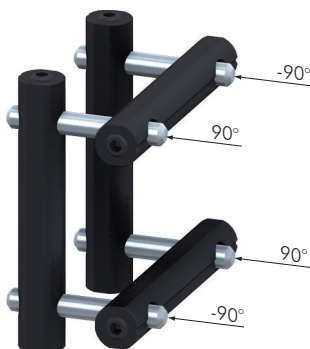
### Individual Components



Matrix	Double Anchors G		
	standard	90°	-90°
25	SV7100V	SV7101V	SV7102V
40	SV7060V	SV7065V	SV7070V
50	SV7300V	SV7301V	SV7302V

**Material:**

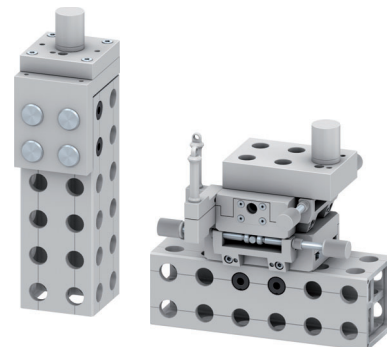
• stainless-steel



**Anchors**



Matrix	Thread	Anchor G M...	Anchor G M... short	Anchor G M... mid	Anchor G M... long	Anchor GAB M...	Anchor GAB
25	M 6	SV7105V	SV7107V Length 19 mm	SV7111V Length 30 mm	SV7108V Length 38 mm	SV7110V	SV7109V
40	M 10	SV7010V	SV7014V Length 24 mm	SV7017V Length 58 mm	SV7015V Length 32 mm	SV7021V	SV7020V
50	M 12	SV7305V	SV7307V Length 43.1 mm	SV7311V Length 60 mm	SV7308V Length 72 mm	SV7310V	SV7309V



**Applications:**

**Anchor G, short:**

For connecting parts with adapter ends (e.g. adjusting elements) with precision profiles.

**Anchor G, long:**

For connecting precision profiles, e.g. within t-connections and cross connections.

**Anchor G, mid:**

For connecting plates with threaded holes with precision profiles.

**Material:**

- stainless-steel

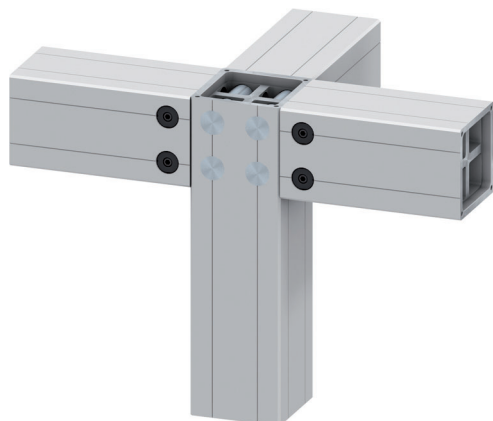
**T-Connections**



Matrix	Precision Bolt, T-Connection		
	short	mid	long
25	SV1555V	SV1556V	SV1557V
40	SV1565V	SV1566V	SV1567V
50	SV1585V	SV1586V	SV1587V

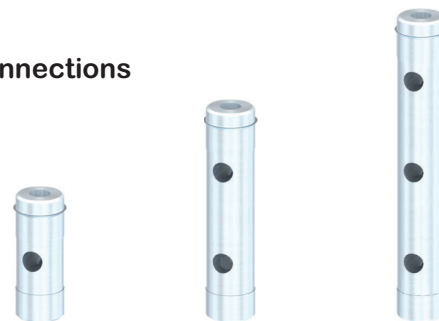
**Material:**

- stainless-steel



T-Connection

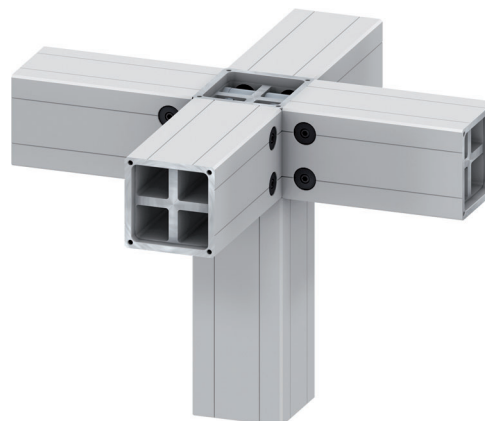
**Cross Connections**



Matrix	Precision Bolt, Cross Connection		
	short	mid	long
25	SV1550V	SV1551V	SV1552V
40	SV1560V	SV1561V	SV1562V
50	SV1580V	SV1581V	SV1582V

**Material:**

- stainless-steel



Cross Connection

## Tooling Mounting Brackets

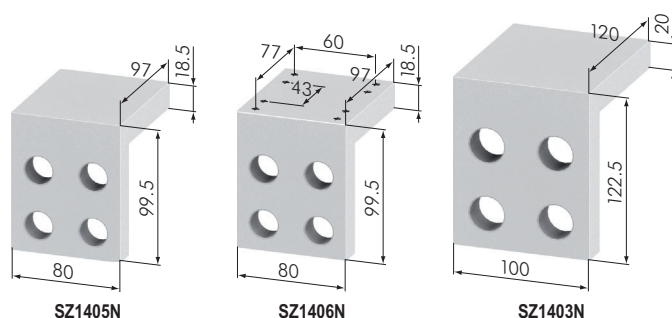
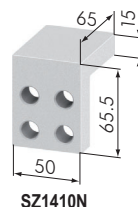
Matrix	natural	black	Description
25	SZ1410N	-	Tooling Mounting Bracket 25
40	SZ1405N	SZ1405S	Tooling Mounting Bracket 40
40	SZ1406N	SZ1406S	Tooling Mounting Bracket 40, with drilling template
50	SZ1403N	-	Tooling Mounting Bracket 50

### Application:

The tooling mounting bracket is equipped with precision holes on one side. The other side is going to be machined to customer's specifications.

### Material:

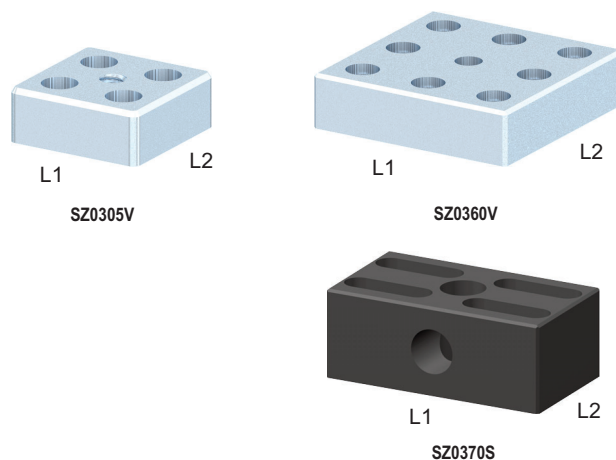
- aluminum, natural anodized
- aluminum, black anodized



## Crane Plates

Matrix	Ne	L1	L2	H	Description
25	SZ0305V / S	50	50	30	Crane Plate 50x50x30 M12 / km6
25	SZ0306V / S	75	75	30	Crane Plate 75x75x30 M12 / km6
25	SZ0370S	90	50	35	Crane Plate 90x50x35 M12 / km6
40	SZ0301V / S	80	80	30	Crane Plate 80x80x30 M16 / km10
40	SZ0302V / S	120	120	30	Crane Plate 120x120x30 M16 / km10
40	SZ0360S	78	78	30	Footplate 78x78x30 M16 / km8
40	SZ0361S	78	118	30	Footplate 78x118x30 M16 / km8
40	SZ0362S	118	118	30	Footplate 118x118x30 M16 / km8
50	SZ0307V	100	100	30	Footplate 100x100x30 M16 / km12
50	SZ0308V	150	150	30	Footplate 150x150x30 M16 / km12

\* steel, zinc-plated or zinc-plated black



## Ring Bolts

Matrix	natural	Description
25	SS0010V	Ring Bolt DIN 580 M12
40 / 50	SS0012V	Ring Bolt DIN 580 M16
25	SS0050V	Ring Bolt rotating M12
40 / 50	SS0051V	Ring Bolt rotating M16

### Material:

- steel, zinc-plated



### End Caps

Matrix	black	LxW
25	SZ0130S	25 x 25
40	SZ0120S	40 x 40
50	SZ0150S	50 x 50



Matrix	black	LxW
25	SZ0131S	50 x 50
40	SZ0122S	80 x 80
50	SZ0152S	100 x 100



Matrix	black	LxW
25	SZ0133S	25 x 50
40	SZ0121S	40 x 80
50	SZ0151S	50 x 100



Matrix	black	LxW
25	SZ0132S	75 x 75
40	SZ0124S	120 x 120
50	SZ0154S	150 x 150



Matrix	black	LxW
25	SZ0134S	50 x 75
40	SZ0123S	80 x 120
50	SZ0153S	100 x 150



Matrix	black	LxW
25	SZ0135S	Ø 12,5
40	SZ0125S	Ø 20
50	SZ0155S	Ø 25



**Application:**

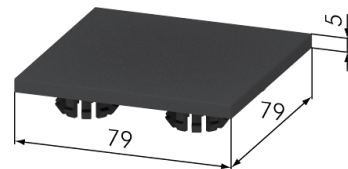
For covering the profile on top end as well as for covering precision holes.

**Material:**

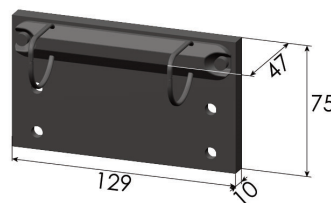
- PA 6, black

### Specification Plates

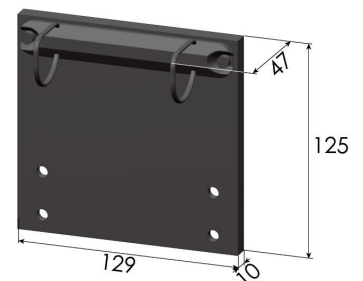
Raster	black	Description
40	SM3201S	Specification Plate 76 x 76 x 10 black
40	SM3202S	Specification Plate 76 x 230 x 10 black
40	SM3203S	Specification Plate 79 x 79 x 5 PA
40	SM3205S	Specification Plate 39 x 79 x 5 PA
25	SM3204S	Specification Plate 49 x 49 x 5 PA
25	SM3210S	Specification ring binding 130 x 75
25	SM3211S	Specification ring binding 130 x 125
25	SM3212S	Specification ring binding 130 x 25
40	SM3213S	Specification ring binding 130 x 30



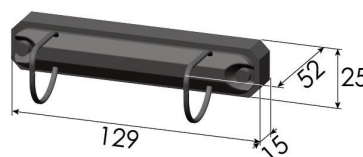
SM3203S



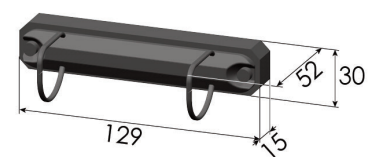
SM3210S



SM3211S



SM3212S



SM3213S

### DEA-FIVE Adapter

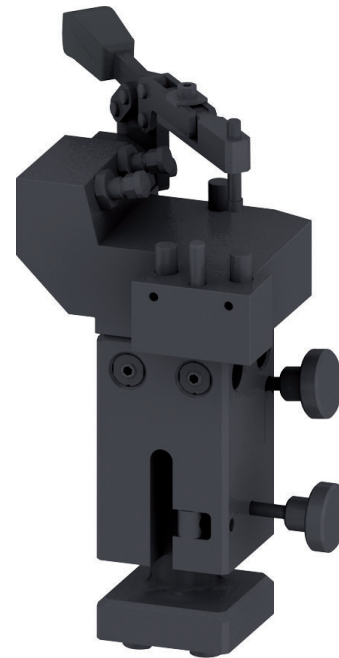
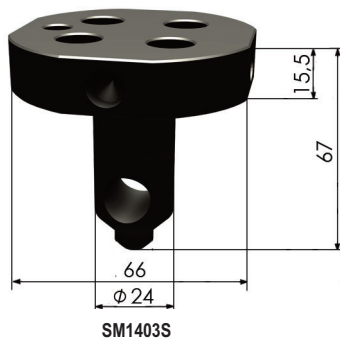
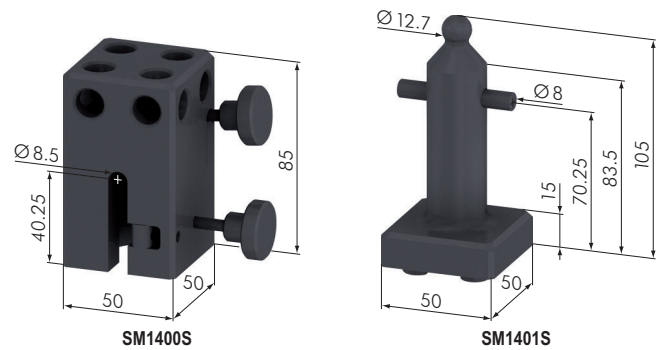
Matrix	black	Description
25	SM1400S	DEA FIVE Adapter, quick-release fastener
25	SM1401S	DEA FIVE Adapter, profile 50 x 50 admittance
25	SM1403S	Change-Over Unit top for 25h6

**Application**

For modular assembly of measuring devices.

**Material:**

• aluminum, black anodized





**Change-Over Unit**

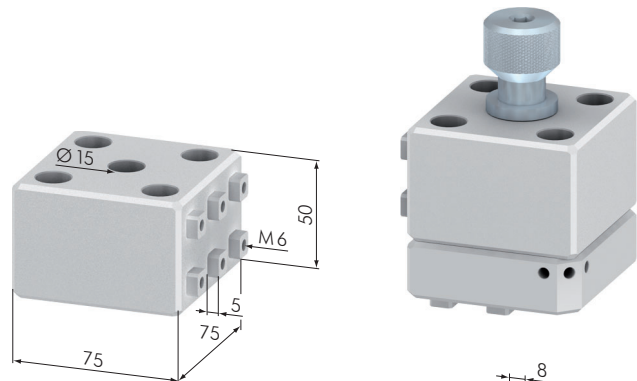
Matrix	natural	Description
25	SM6010N	Change-Over Unit, top
25	SM6011N	Change-Over Unit, bottom
25	SM6012V	Change-Over Unit Screw

**Application:**

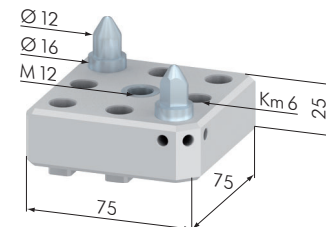
For modular assembly of measuring devices.

**Material:**

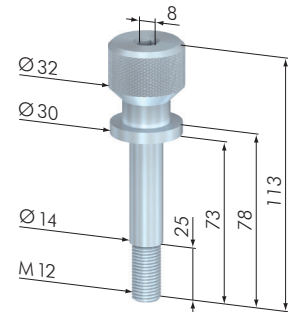
•aluminum, natural anodized



SM6010N



SM6011N



SM6012V

**Change-Over Unit**

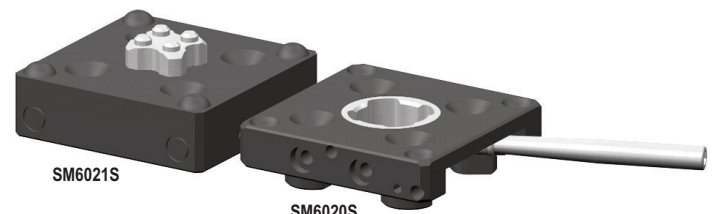
Matrix	black	Description
25	SM6020S	Change-Over Unit 25 bottom
25	SM6021S	Change-Over Unit 25 top
25	SM6022S	Hinge for exchange unit 25
40	SM6030S	Change-Over Unit 40 bottom
40	SM6031S	Change-Over Unit 40 top
40	SM6032S	Hinge for exchange unit 40
25/40	SM6033S	Change-Over Unit 40 top Matrix 25
25	SM6034S	Change-Over Unit 40 bottom Nut
40	SM6035S	Change-Over Unit 40 top Nut
50	SM6040S	Change-Over Unit 50 bottom
50	SM6041S	Change-Over Unit 50 top
50	SM6042S	Hinge for exchange unit 50
25/50	SM6043S	Change-Over Unit top 50 Matrix 25

**Application:**

By means of a quick coupling individual pick-up points can be removed or exchanged. Alternatively, the quick couplings can be equipped with a swivel joint.

**Material:**

• Aluminium, black anodized



SM6021S

SM6020S



SM6022S

### Exchange Board

Matrix	black	Description
40	SM6060S	Exchange Board 40 Model /1
40	SM6061S	Exchange Board 40 Model /2

**Application:**

Exchange boards are used to remove or replace complete modular frames

**Material:**

• Aluminium, black



### Docking Unit

Matrix	black	Description
40	SM6051S	Docking Unit / 1 operating element (HA)
40	SM6052S	Docking Unit / 2 connection round hole 25H7
40	SM6053S	Docking Unit / 3 operating element (NA)
40	SM6054S	Docking Unit / 4 connection long hole 25x26

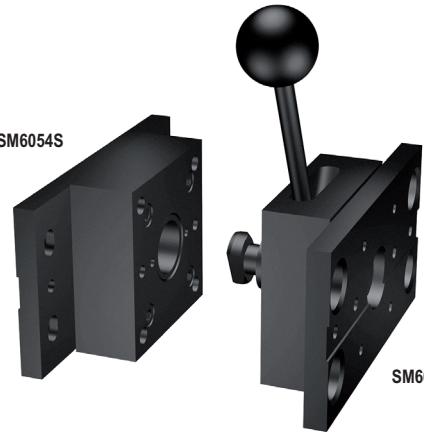
**Application:**

To connect individual frames or master jigs to one unit

**Material:**

• stainless steel

SM6052S / SM6054S



SM6051S / SM6053S

### Lifting Castor Units

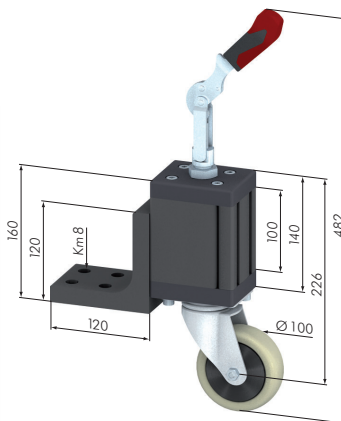
Matrix	natural	Description
40	SF2600V	Lifting Castor Units (steering roller D100) resilient to 100 kg
40	SF2601V	Lifting Castor Units (trestle roller D100) resilient to 100kg
40	SF2604V	Lifting Castor Units (steering roller D125)
40	SF2605V	Lifting Castor Units (trestle roller D125)
40	SF2606V	Lifting Castor Units (steering roller D100) -2
40	SF2607V	Lifting Castor Units (trestle roller D100) -2

**Application:**

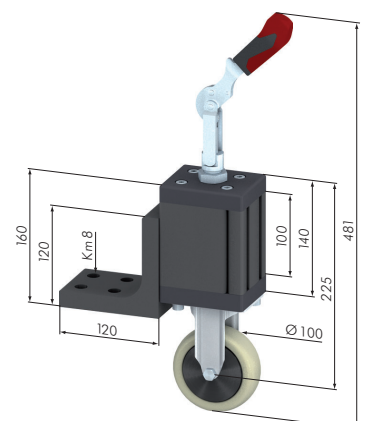
For relocating measuring devices and jigs.

**Material:**

• aluminum, black anodized



SF2600V



SF2601V

Hinge Castor

Matrix	Natural	Description
40	SF2602V	Hinge Castor D125mm for Profile 80 x 80 steering roller
40	SF2612V	Hinge Castor D125mm for Profile 80 x 80 trestle roller
40	SF2603V	Hinge Castor D125mm for Profile 120 x 120 steering roller
40	SF2613V	Hinge Castor D125mm for Profile 120 x 120 trestle roller
40	SF2609V	Hinge Castor D200mm for Profile 120 x 120 steering roller
40	SF2619V	Hinge Castor D200mm for Profile 120 x 120 trestle roller
50	SF2608V	Hinge Castor D125mm for Profile 100 x 100 steering roller
50	SF2618V	Hinge Castor D125mm for Profile 100 x 100 trestle roller

Application:

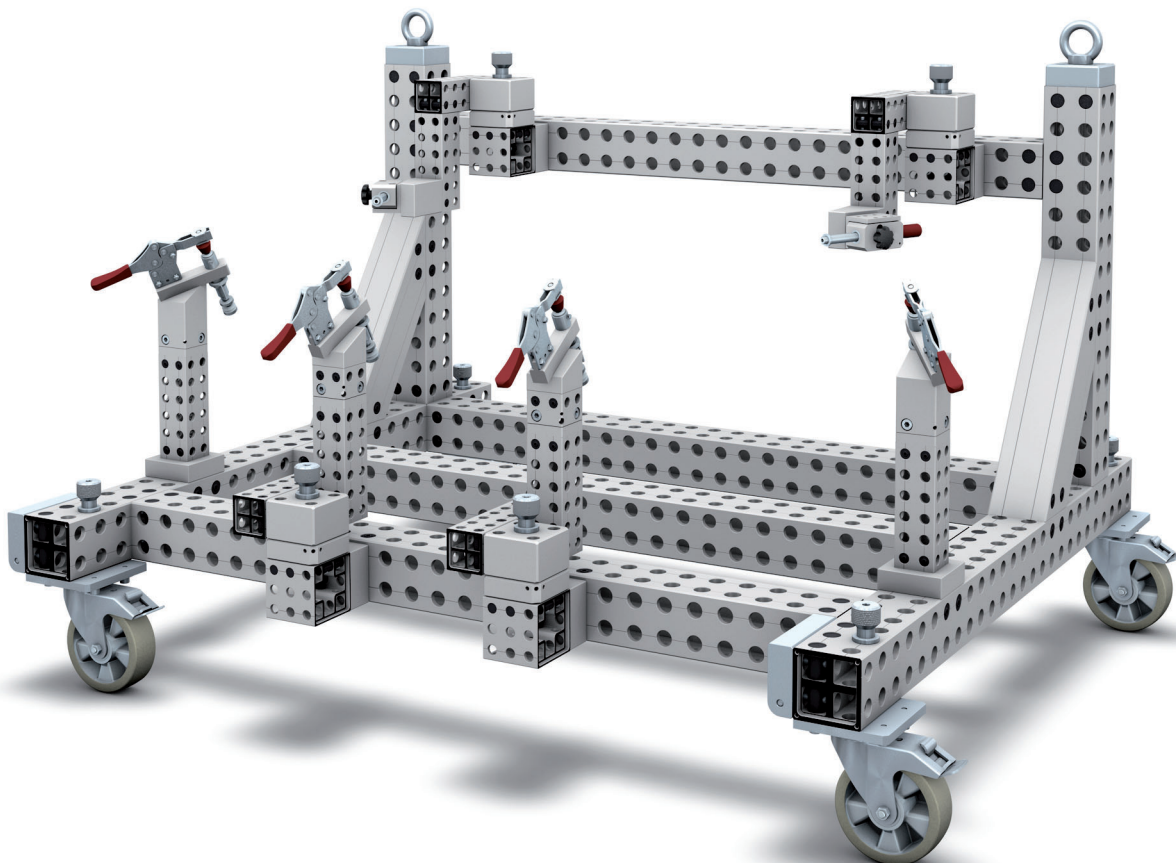
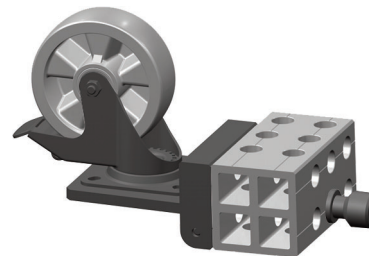
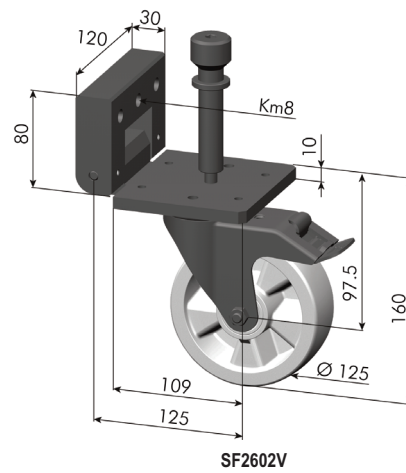
For relocating measuring and jigs

Material:

• Aluminium, black anodized

optional:

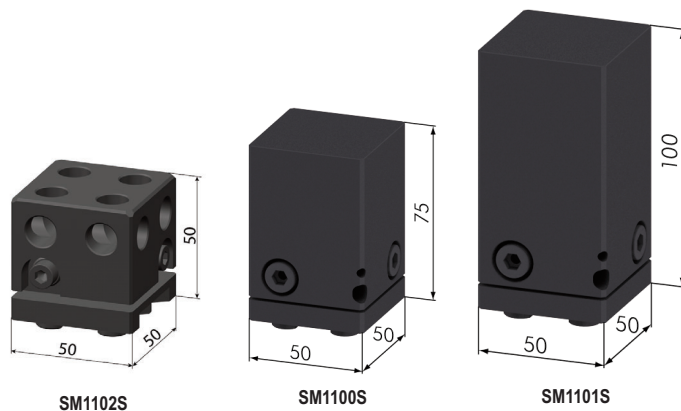
Foot protection possible on request





### 3D Adjustment Blocks

Matrix	black	Description	L x W x H
25	SM1102S	3D Adjustment Block, with system holes	50 x 50 x 50
25	SM1100S	3D Adjustment Block	50 x 50 x 75
25	SM1101S	3D Adjustment Block	50 x 50 x 100
40	SM1109S	3D Adjustment Block, with system holes	80 x 80 x 80
40	SM1105S	3D Adjustment Block black	80 x 80 x 120
40	SM1106S	3D Adjustment Block black	80 x 80 x 160
50	SM1026S	3D Adjustment Block black	100x100x100



**Application:**

For adjusting in 3 axis with shims.

**Material:**

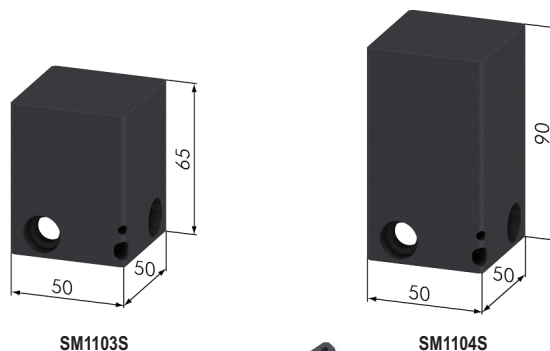
- N aluminum, natural anodized
- S aluminum, black anodized

**Adjustment:**

± 1,0 mm (x/y/z))

### Contour Pieces 3D Adjustment Blocks

Matrix	black	Description	L x W x H
25	SM1103S	Contour Piece, for adjustment block	50 x 50 x 65
25	SM1104S	Contour Piece, for adjustment block	50 x 50 x 90
40	SM1107S	Contour Piece, for 3D adjustment block	80 x 80 x 104
40	SM1108S	Contour Piece, for 3D adjustment block	80 x 80 x 144



**Application:**

Contour pieces can be machined to a customer-specific drawing.

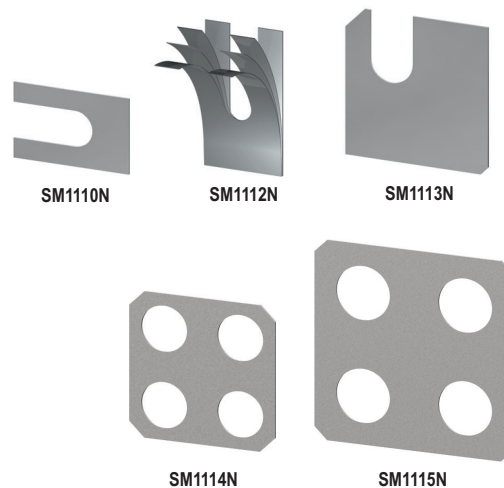
**Material:**

- S aluminum, black anodized



### Shims

Matrix	Natural	Description	L x W
25	SM1110N	3D Adjustment Block Shim XY	30x19
25	SM1111N	3D Adjustment Block Shim Z	37x37
40	SM1112N	3D Adjustment Block Shim XY	43x30
40	SM1113N	3D Adjustment Block Shim Z	60x60
25	SM1114N	Shim 48x48	48x48
40	SM1115N	Shim 78x78	78x78



**Application:**

Returnable aluminum shims for the precise adjustment of 3D adjustment blocks.

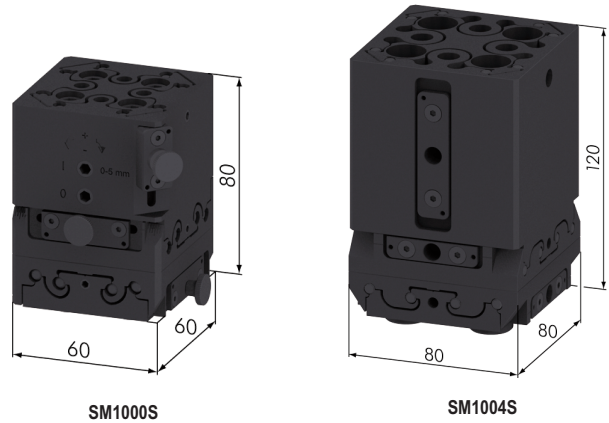
**Material:**

- laminated aluminum foil sheet
- foil thickness: 0.05 mm per coating
- sheet thickness: 1.00 mm

### 3D Adjustment Units slide mechanism

Matrix	black	Description
25	<b>SM1000S</b>	3D Adjustment Unit Slide 50 x 50
40	<b>SM1004S</b>	3D Slide 80 x 80

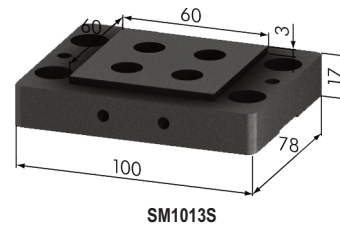
**Application:** 3D adjustment unit with slide mechanism and position locking.  
**Material:** S aluminum, black anodized



### Connection Plates 3D Adjustment Unit

Matrix	natural	Description
25/40	<b>SM1013N</b>	Connection Plate, for 3D adjustment natural
25/40	<b>SM1013S</b>	Connection Plate, for 3D adjustment black

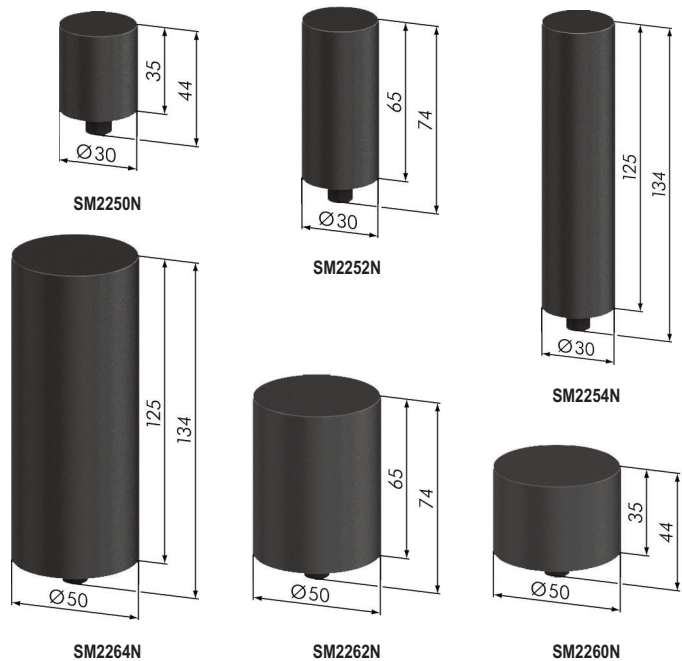
**Application:** Connection plate with t-slot system to be used with series 25 profiles.  
**Material:** aluminum, natural anodized



### Contour Pieces

Matrix	natural	black	Description
40	<b>SM2250N</b>	<b>SM2250S</b>	Contour Pieces Ø 30, 44 mm
40	<b>SM2252N</b>	<b>SM2252S</b>	Contour Pieces Ø 30, 74 mm
40	<b>SM2254N</b>	<b>SM2254S</b>	Contour Pieces Ø 30, 134 mm
40	<b>SM2260N</b>	<b>SM2260S</b>	Contour Pieces Ø 50, 44 mm
40	<b>SM2262N</b>	<b>SM2262S</b>	Contour Pieces Ø 50, 74 mm
40	<b>SM2264N</b>	<b>SM2264S</b>	Contour Pieces Ø 50, 134 mm

**Application:** Contour pieces can be machined to a customer-specific drawing.  
**Material:** N aluminum, natural anodized; S aluminum, black anodized



### Spacers

Matrix	Description	min. height	max. height	steps	Ø
25	<b>SM2200N00XX</b> Spacer D30	4,1	5,9	0,1	30
25	<b>SM2202N00XX</b> Spacer D50	4,1	5,9	0,1	50

**Application:** Spacers for fine adjustment of a contour piece in 0.1 mm graduations from 4.1 mm up to 5.9 mm thickness.  
**Example:** SM2200N0050 → Ø 30, thickness: 5.0 mm  
**Material:** aluminum, natural anodized



### Mounting Plates

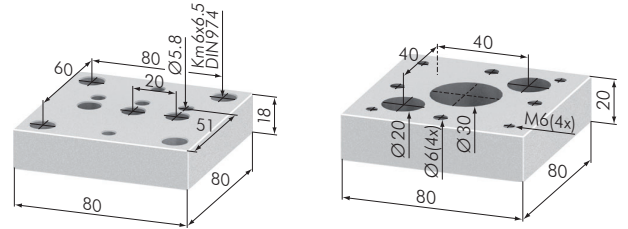
Matrix	natural	black	Description
40	SM2100N	SM2100S	Mounting Plate 80 x 80 x 18
40	SM2102N	SM2102S	Mounting Plate 80 x 120 x 18
40	SM2104N	SM2104S	Mounting Plate 80 x 160 x 18
40	SM2105N	SM2105S	Mounting Plate 80 x 160 x 18
40	SM2106N	SM2106S	Mounting Plate 80 x 160 x 18, for 3D adjustm. unit: slide mechanism
40	SM2108N	SM2108S	Mounting Plate 80 x 160 x 18, for 3D adjustment unit: dove tail
40	SM2110N	SM2110S	Coupling Plate 80 x 80 x 20

**Application:**

Mounting plates for attaching customer-specific contour pieces and adapters.

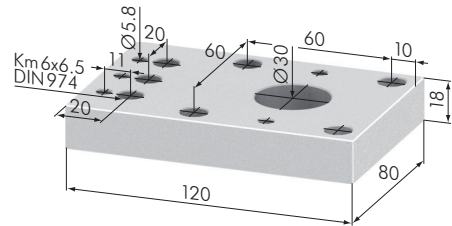
**Material:**

- N aluminum, natural anodized
- S Aluminium, schwarz eloxiert

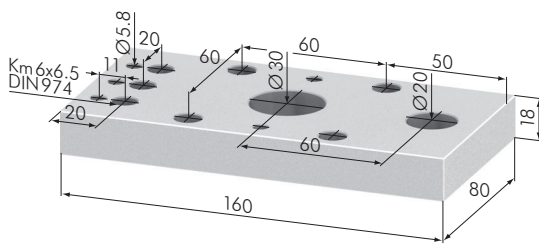


SM2100N

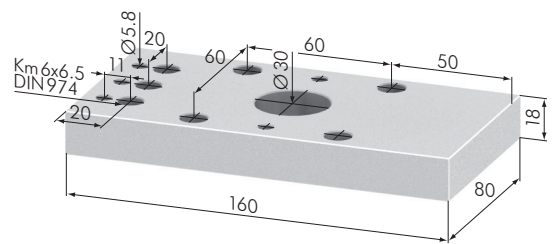
SM2110N



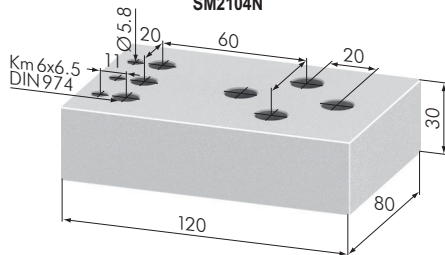
SM2102N



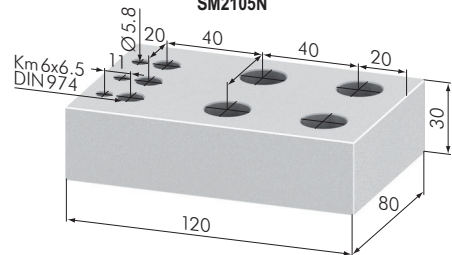
SM2104N



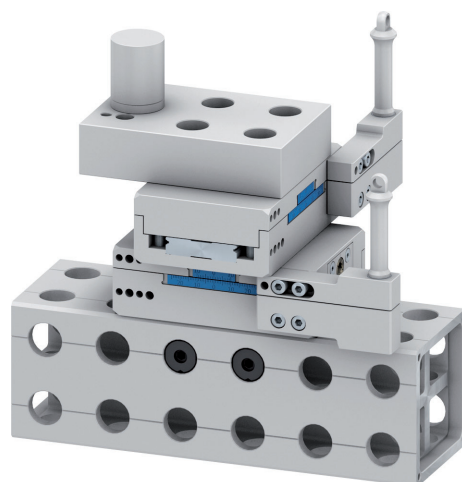
SM2105N



SM2106N



SM2108N

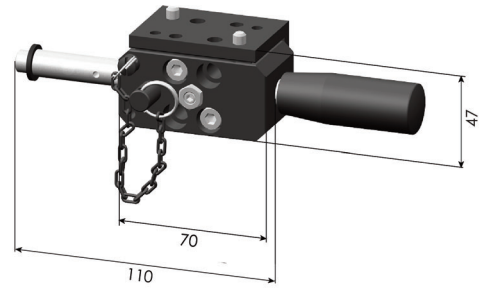


**Take-Off Units**

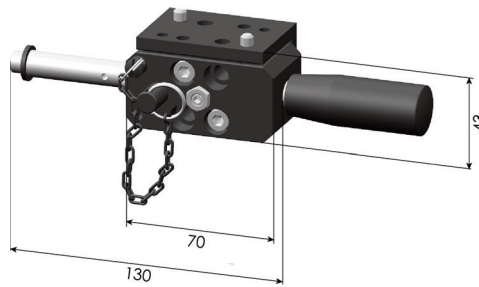
Matrix	black	Description
25/40	<b>SM6110S</b>	Take-OFF Unit, draggable / grinding comb pin length 110 mm
25/40	<b>SM6111S</b>	Take-OFF Unit, draggable / grinding comb pin length 110 mm
25/40	<b>SM6112S</b>	Take-OFF Unit, short, draggable / grinding comb pin length 88mm
25/40	<b>SM6113S</b>	Take-OFF Unit, short, draggable / shim pin length 88mm
25/40	<b>SM6118S</b>	Locking pin short draggable / grinding comb
25/40	<b>SM6119S</b>	Locking pin short draggable / shim
25/40	<b>SM6120S</b>	Locking pin short draggable / grinding comb
25/40	<b>SM6121S</b>	Locking pin short draggable / shim

**Material:**

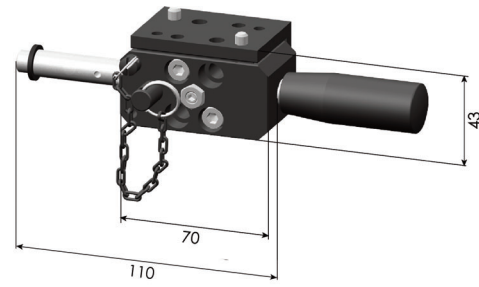
- S aluminum, black anodized
- stainless steel



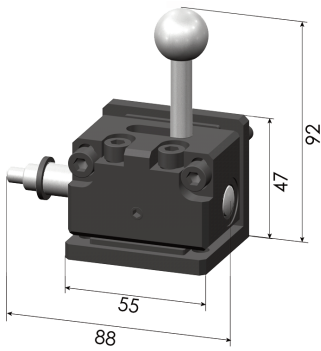
**SM6110S**



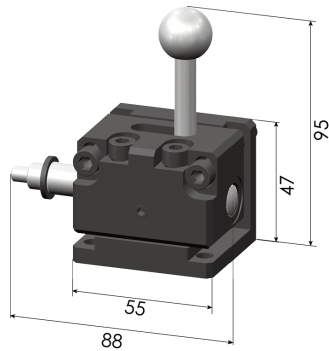
**SM6116S**



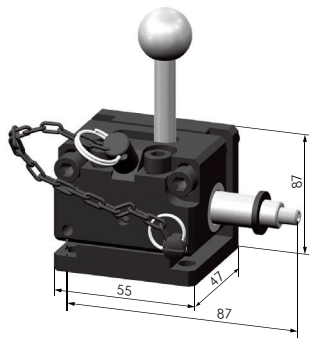
**SM6111S**



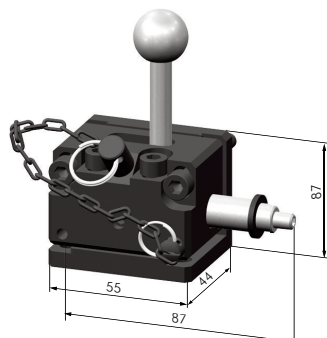
**SM6113S**



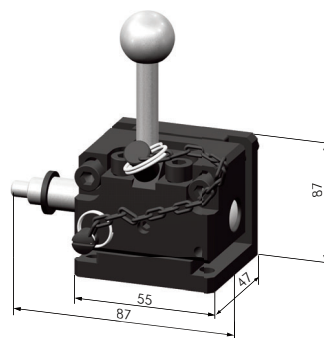
**SM6112S**



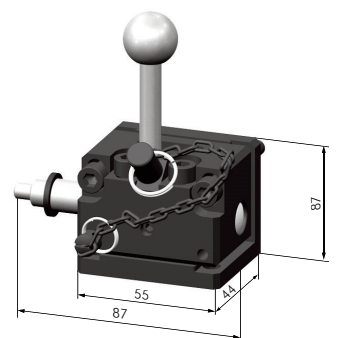
**SM6118S**



**SM6119S**



**SM6120S**



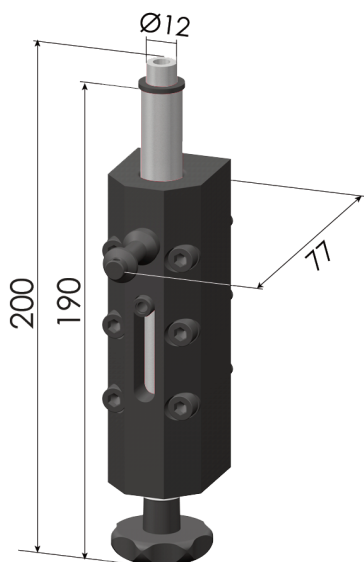
**SM6121S**

## Take-Off Units

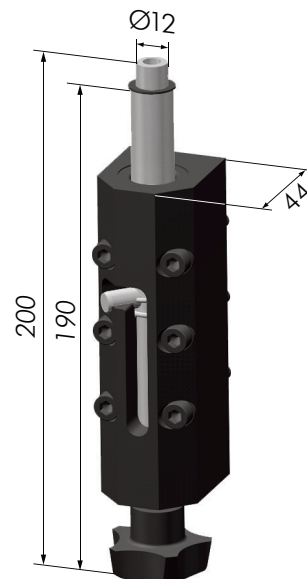
Matrix	black	Description
25/40	<b>SM6114S</b>	Pin heavy
25/40	<b>SM6115S</b>	Locking pin heavy
25/40	<b>SM6116S</b>	Take-OFF unit, draggable / shim pin length 130mm
25/40	<b>SM6150S</b>	Bolt Unit, heavy, bayonet

### Material:

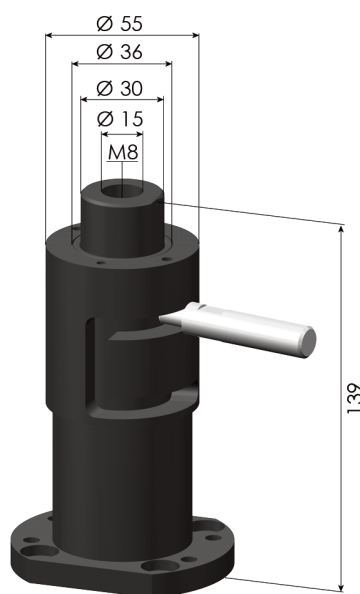
- S aluminum, black anodized
- stainless steel



SM6114S



SM6115S



SM6150S

**Hook tensioner**

Matrix	black	Description
25/40/50	SM1700S	Hook tensioner basic unit

**Description:**

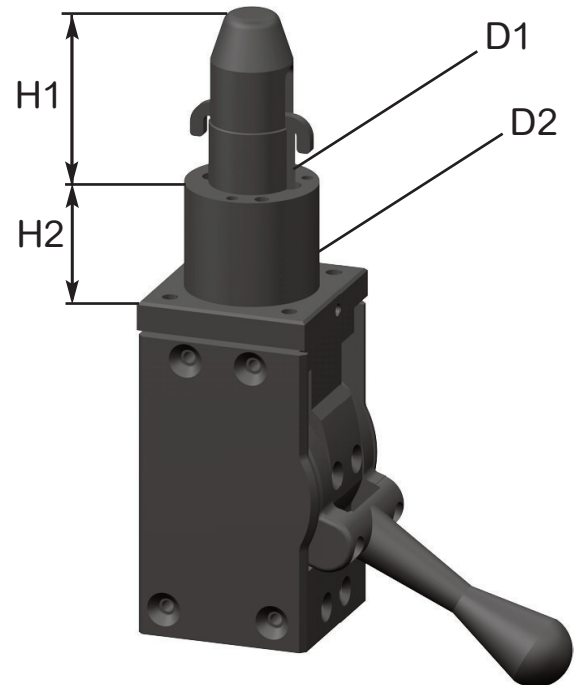
To order the hook tensioner the following informations are required:

- Diameter of the receiving hole
- Form: Round hole / long hole
- sheet strength

**Material:**

- Black, anodized
- Stainless steel

Record of the receiving bore with possibly interference contours.



**Lifting Columns**

Matrix	black	Description
25	SM1610S	Lifting Column 25 / 500 - 630
40	SM1620S	Lifting Column 25 / 500 - 630
50	SM1630S	Lifting Column 25 / 500 - 630

**Application:**

Lifting column for height adjustment via a crank self-locking  
 Can additionally be secured in position via a clamping lever.

**Material:**

- Black, anodized
- Stainless steel



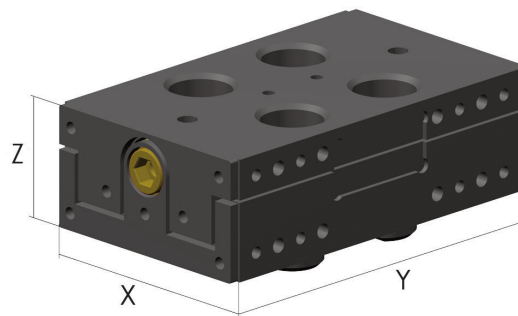
### Roller Slides

screw spindle

Matrix	black	X	Y	Z	stroke	Description
25	SM1260S	50	75	25	±13.5mm	screw spindle
40	SM1270S	80	120	40	±22mm	screw spindle
50	SM1280S	100	150	50	±27.5mm	screw spindle

**Material:**

- S aluminum, black anodized



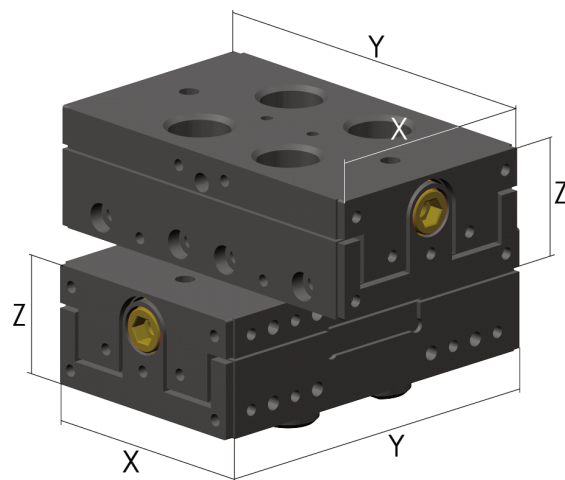
### Cross Roller Slides

screw spindle

Matrix	black	X	Y	Z	stroke	Description
25	SM1262S	50	75	25	±13.5mm	screw spindle
40	SM1272S	80	120	40	±22mm	screw spindle
50	SM1282S	100	150	50	±27.5mm	screw spindle

**Material:**

- S aluminum, black anodized



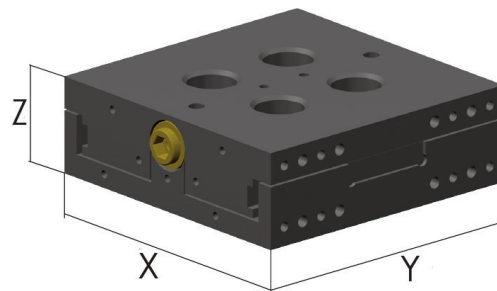
### Heavy Duty Slides

screw spindle

Matrix	black	X	Y	Z	stroke	Description
25	SM1240S	76	76	25	±13.5mm	Heavy Duty Slide 25, screw spindle
40	SM1250S	135	135	40	±22mm	Heavy Duty Slide 40, screw spindle
50	SM1290S	160	160	50	±27.5mm	Heavy Duty Slide 50, screw spindle

**Material:**

- S aluminum, black anodized



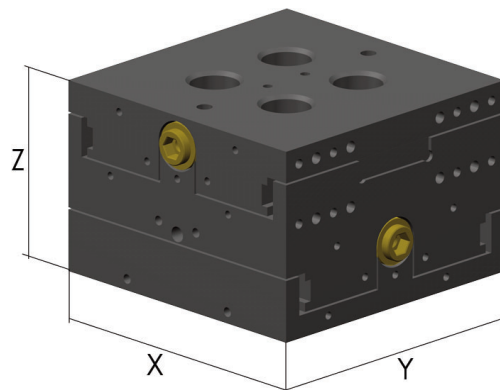
### Heavy Duty Cross Roller Slides

screw spindle

Matrix	black	X	Y	Z	stroke	Description
25	SM1242S	76	76	50	±13.5mm	Heavy Duty Slide 25, screw spindle
40	SM1252S	135	135	80	±22mm	Heavy Duty Slide 40, screw spindle
50	SM1292S	160	160	100	±27.5mm	Heavy Duty Slide 50, screw spindle

**Material:**

- S aluminum, black anodized



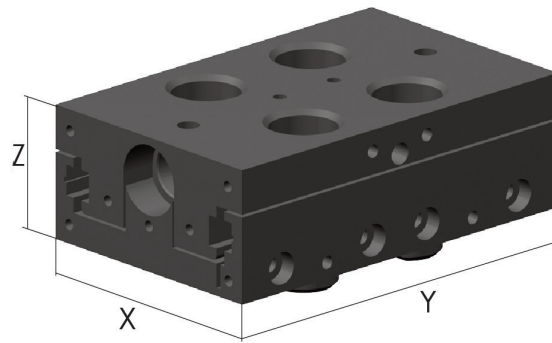
**Roller Slides**

floating

Matrix	black	X	Y	Z	stroke	Description
25	SM1261S	50	75	25	±13.5mm	floating
40	SM1271S	80	120	40	±22mm	floating
50	SM1281S	100	150	50	±27.5mm	floating

**Material:**

- S aluminum, black anodized



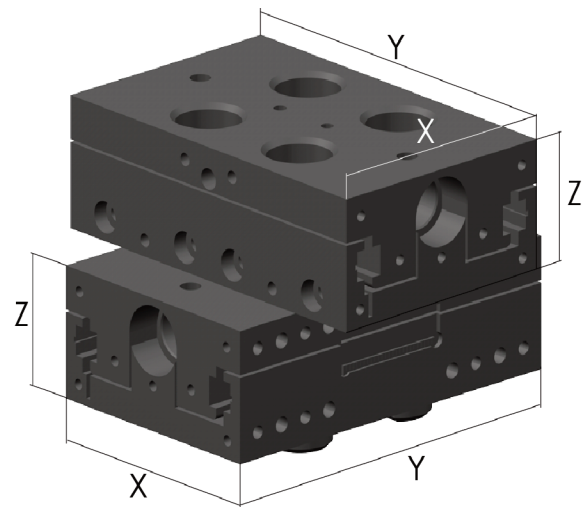
**Cross Roller Slides**

floating

Matrix	black	X	Y	Z	stroke	Description
25	SM1263S	50	75	25	±13.5mm	floating
40	SM1273S	80	120	40	±22mm	floating
50	SM1283S	100	150	50	±27.5mm	floating

**Material:**

- S aluminum, black anodized



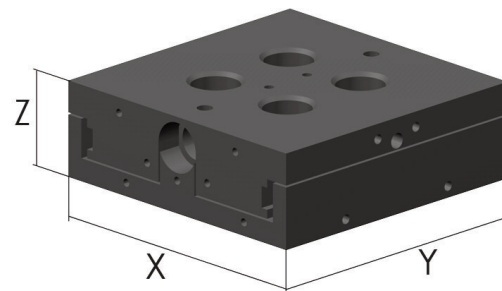
**Heavy Duty Slides**

floating

Matrix	black	X	Y	Z	stroke	Description
25	SM1241S	76	76	25	±13.5mm	Heavy Duty Slides 25, floating
40	SM1251S	135	135	40	±22mm	Heavy Duty Slide 40, floating
50	SM1291S	160	160	50	±27.5mm	Heavy Duty Slide 50, floating

**Material:**

- S aluminum, black anodized



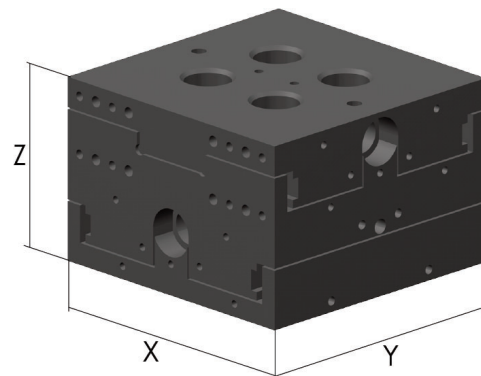
**Heavy Duty Cross Roller Slides**

floating

Matrix	black	X	Y	Z	stroke	Description
25	SM1243S	76	76	50	±13.5mm	Heavy Duty Slide 25, floating
40	SM1253S	135	135	40	±22mm	Heavy Duty Slide 40, floating
50	SM1293S	160	160	100	±27.5mm	Heavy Duty Slide 50, floating

**Material:**

- S aluminum, black anodized





## Positioning Bolts

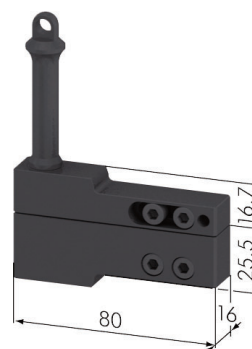
Matrix	black	Description	Length
25	SM1266S	Positioning Bolt slide 25	50 mm
40	SM1276S	Positioning Bolt slide 40	50 mm
50	SM1286S	Positioning Bolt slide 50	80 mm
25	SM1267S	Adjustment tool for positioning Bolt 25	
40	SM1277S	Adjustment tool for positioning Bolt 40	
50	SM1287S	Adjustment tool for positioning Bolt 50	

**Application:**

Positioning bolt for locking the roller slide in initial position.

**Material:**

• S Aluminium, black anodized



SM1286S

## Slide End Stops

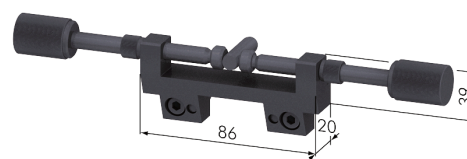
Matrix	black	Description	Stroke
25	SM1264S	Slide End Stop 25	± 13,5 mm
40	SM1274S	Slide End Stop 40	± 22,0 mm
50	SM1284S	Slide End Stop 50	± 27,5 mm

**Application:**

For limiting the stroke of roller and cross roller slides.

**Material:**

• S Aluminium, black anodized



SM1274S

## Slide Springs

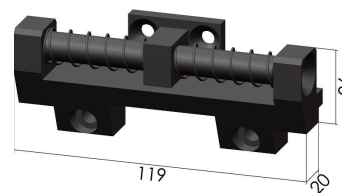
Matrix	black	Description
25	SM1268S	Slide Spring 25
40	SM1278S	Slide Spring 40
50	SM1288S	Slide Spring 50

**Application:**

For spring-loading of roller and cross roller slides. Moves the roller slide in initial position.

**Material:**

• S Aluminium, black anodized



SM1278S

## Slide Springs adjustable

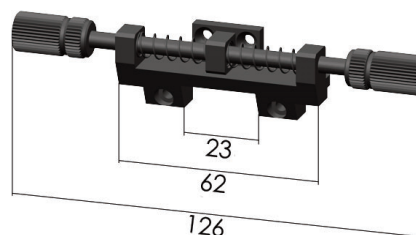
Matrix	black	Description
25	SM1265S	Slide Spring adjustable 25
40	SM1275S	Slide Spring adjustable 40
50	SM1285S	Slide Spring adjustable 50

**Anwendung:**

For spring-loading of roller and cross roller slides. Moves the roller slide in initial position

**Material:**

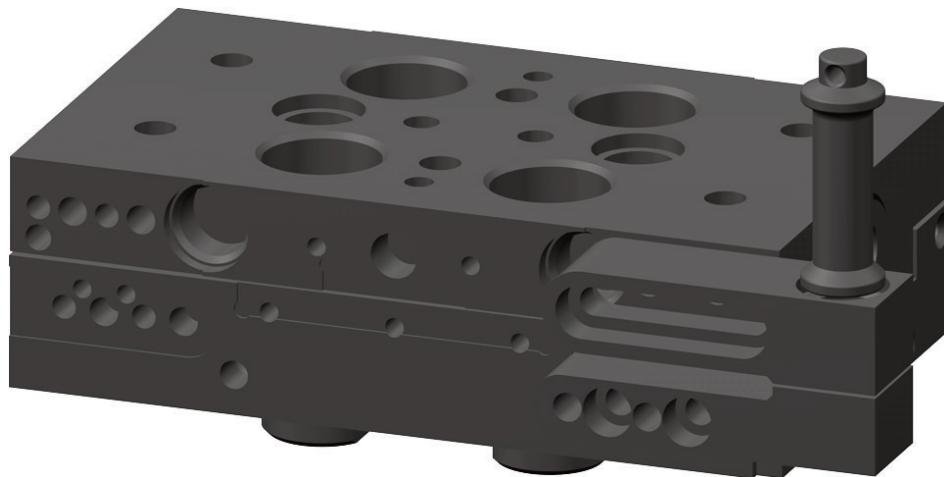
• S Aluminium, black anodized



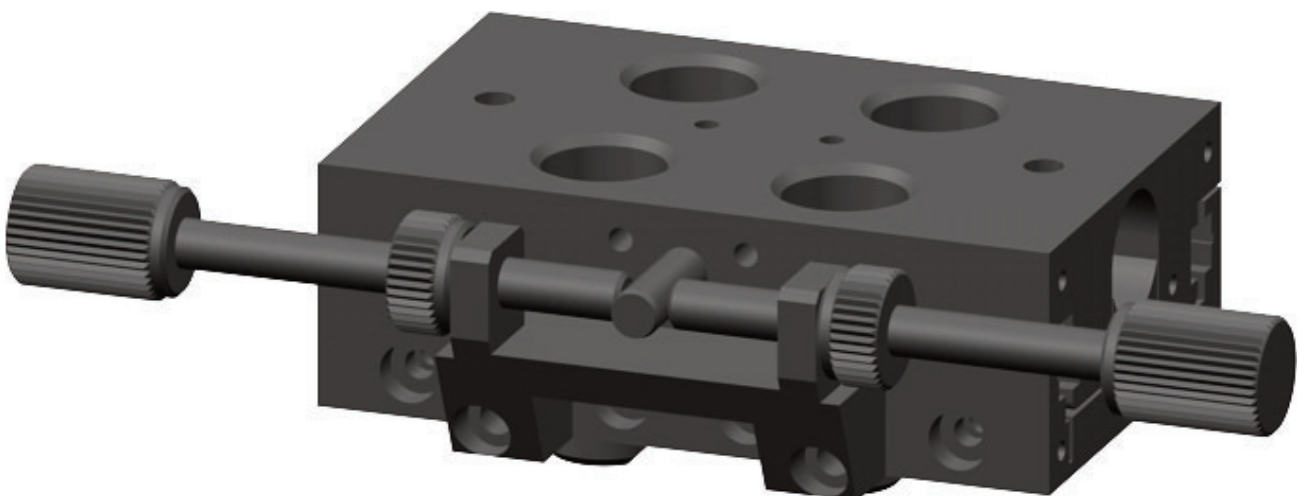
SM1265S

Exmples:

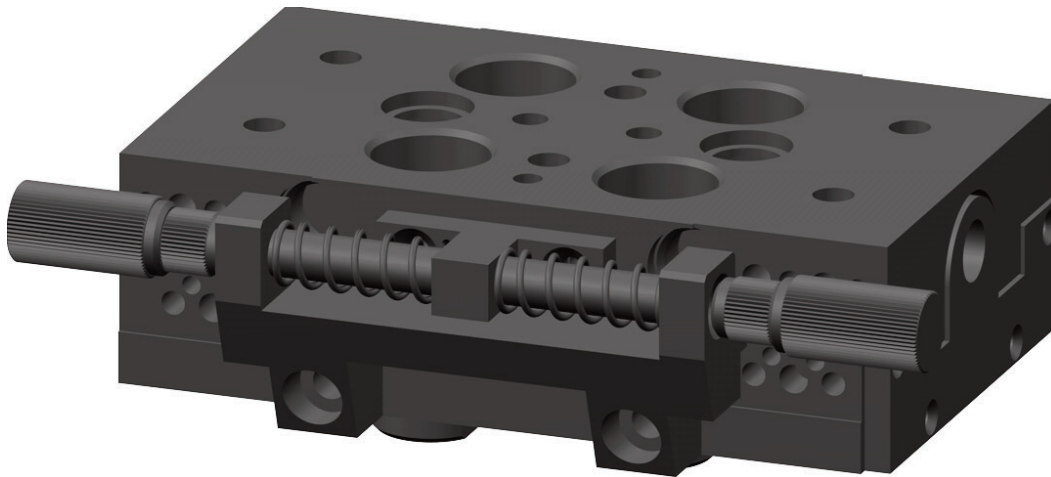
**Roller Slide**  
with positioning bolt



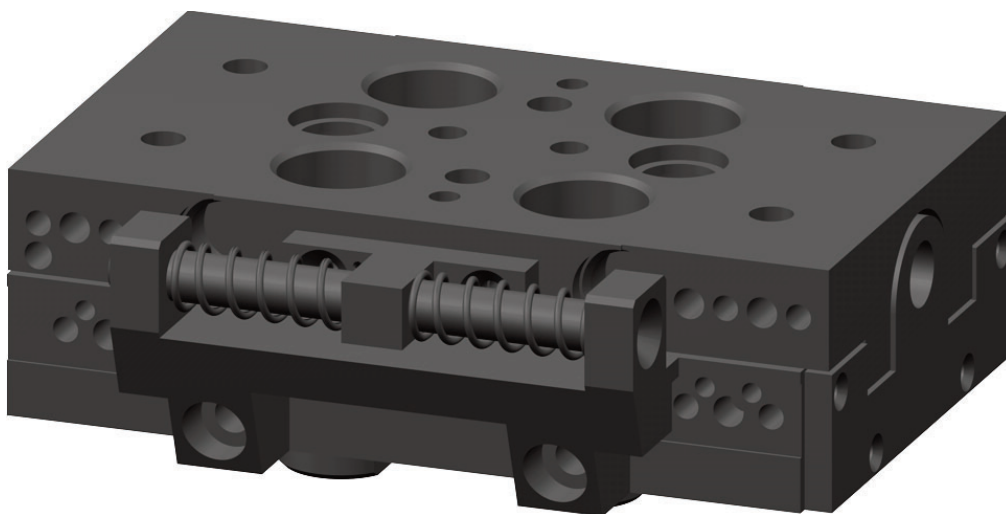
**Roller Slide**  
with slide end stops



**Roller Slide**  
with slide springs



**Roller Slide**  
with adjustable slide springs

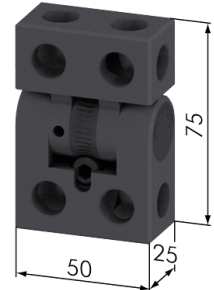
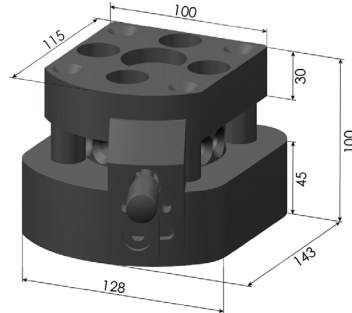


### Z-Adjustment

Matrix	black	Description
50	SM1060S	Z-Adjustment heavy

**Application:** For height adjustment of heavy components.  
**Stroke:** +/- 5 mm  
**Grid:** 0,05 mm

**Material:** • S Aluminium, black anodized



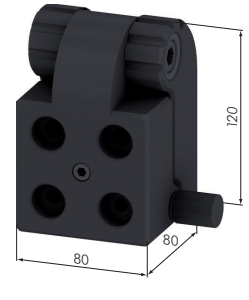
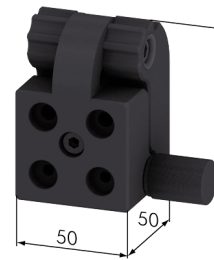
SM1060S

SM5520S

### Hinges

Matrix	black	Description
25	SM5520S	Double Hinge 25 x 50 x 75 black
25	SM5524S	Double Hinge 25 x 50 x 125 black
25	SM5523S	Hinge 50 x 50 x 75, with locking pin black
40	SM5519S	Double Hinge 40 x 80 x 120 black
40	SM5525S	Hinge 80 x 80 x 120, with locking pin black

**Application:** Double hinges for adjusting in one axis.  
**Material:** • S aluminum, black anodized



SM5524S

SM5523S

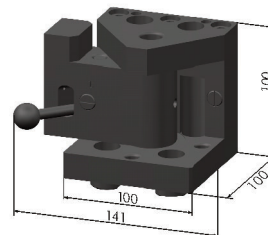
SM5525S

### Precision swivel arm

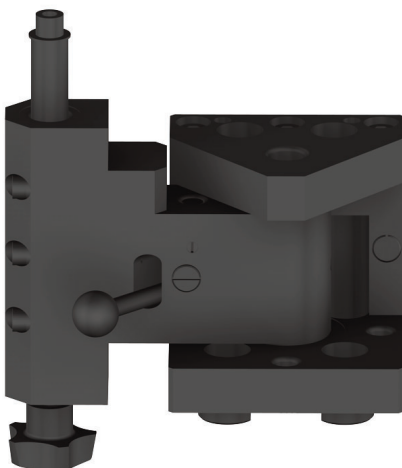
Matrix	black	Description
50	SM5527S	Precision swivel arm heavy

**Application:** to swing out of Pick-up points / positioning bolts stakeout on 0%, 90%, 180%

**Material:** • S aluminum, black anodized



SM5527S



Example SM5527S + SM6115S

### Matrix Plates

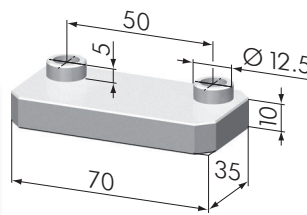
Matrix	natural	black	Description
25	SM3010N	SM3010S	Matrix Plate 250 x 250 x 25, with precision holes
25	SM3011N	SM3011S	Matrix Plate 250 x 500 x 25, with precision holes
25	SM3012N	SM3012S	Matrix Plate 500 x 500 x 25, with precision holes
25	SM3021N	SM3021S	Connection Plate, for matrix plates 25, 35 x 70
25	SM3020N	SM3020S	Connection Plate, for matrix plates 25, 70 x 70
25	SM3100N	-	Air Bearing Plate 400 x 600 x 25, with precision holes
40	SM3050N	SM3050S	Matrix Plate 440 x 440 x 40, with precision holes

**Application:**

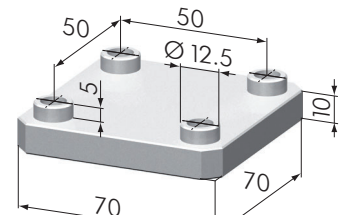
Matrix plates for flexible assembly of fixtures and measurement devices.

**Material:**

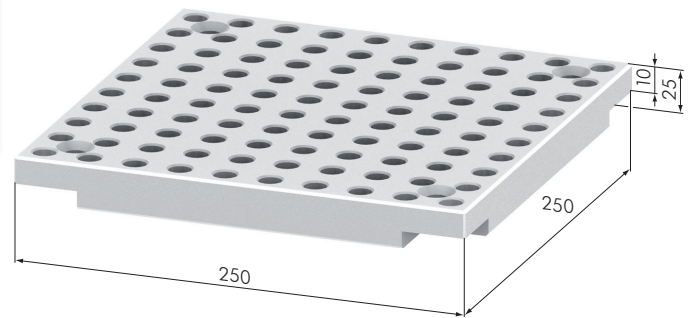
- N aluminum, natural anodized
- S aluminum, black anodized



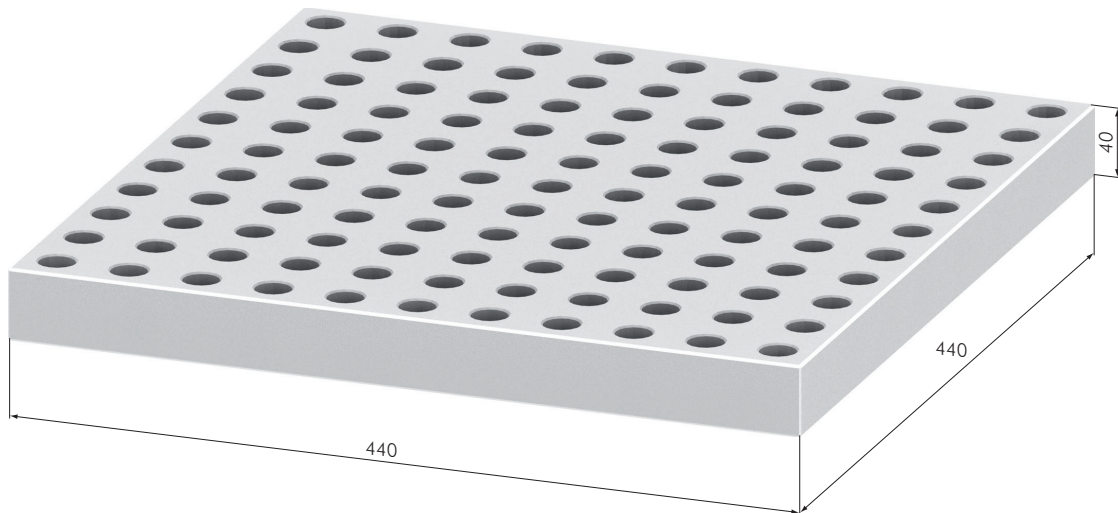
SM3021N



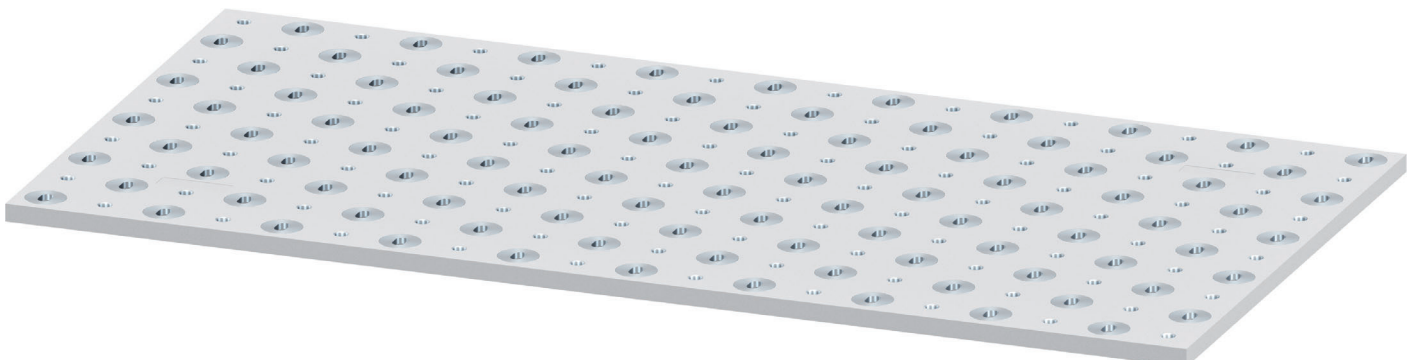
SM3020N



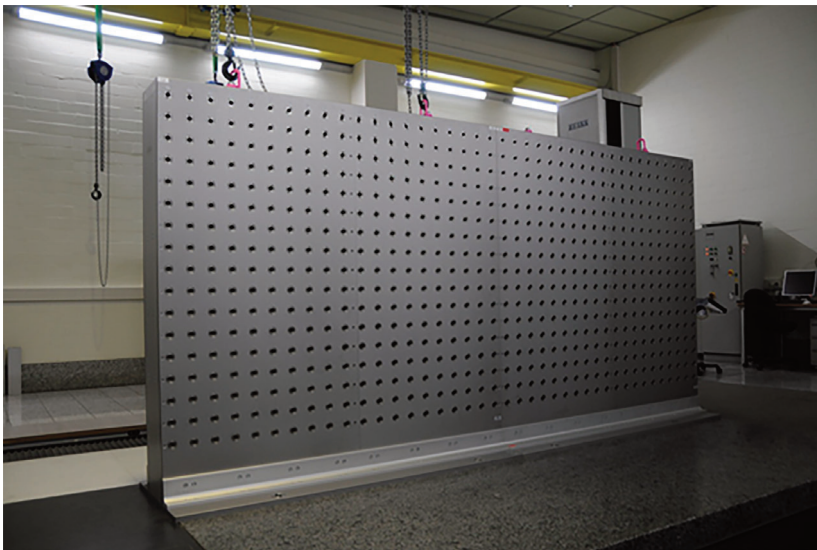
SM3010N



SM3050N



Special matrix plates with customer-specific slot hole inserts are also available on request.



- Surface natural or  
Black anodized

-Material AlMg4,5Mn

-as sandwich construction  
(200mm- 400mm)

Options:

-Air bearing systems

-roller systems

-pneumatic / electric friction wheel drives

- positioner

-transport cart

Breadboard vertical:

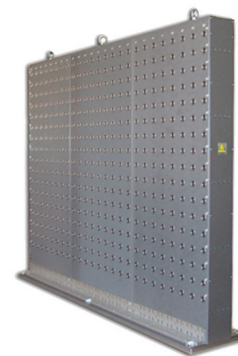
-breadboard 25, 50, 100 or 200mm standard

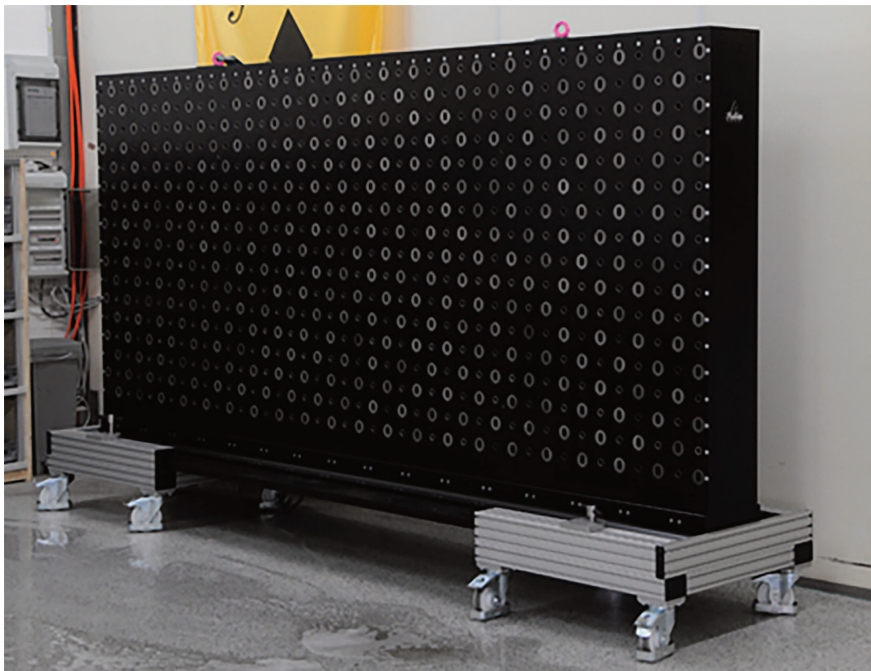
-other rasters freely selectable

-with or without steel bushes

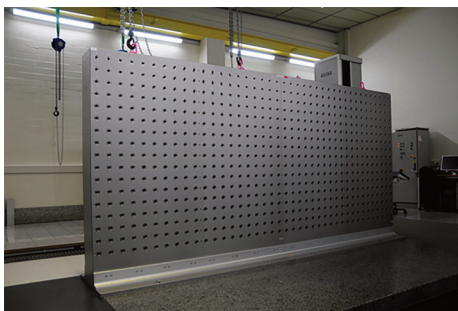
-with threaded insert

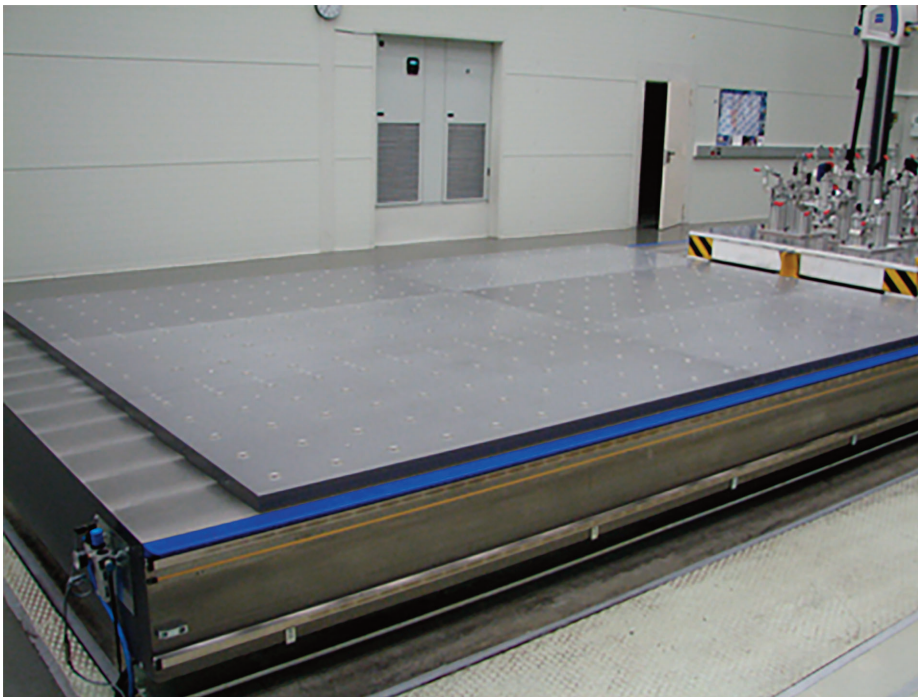
-PPS or expanding mandrel 30° or 45°





breadboard separable





- Surface nature or black anodized
- Material AlMg4,5Mn
- massive construction (20mm-500mm)
- sandwich construction (200mm-400mm)

Options:

- Air bearing systems
- roller systems
- pneumatic/ electric friction wheel drives
- positioner

Breadboard horizontal:

- breadboard 25, 50, 100 or 200mm standard
- other rasters freely selectable
- with or without steel bushes
- with threaded insert
- PPS or expanding mandrel 30° or 45°

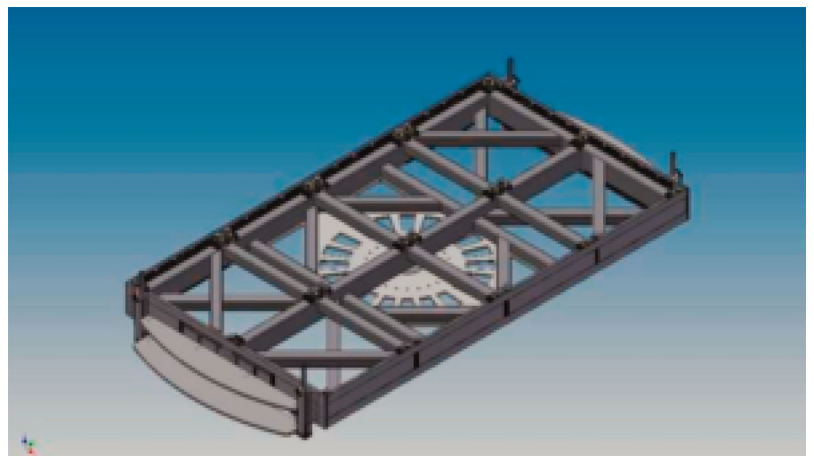
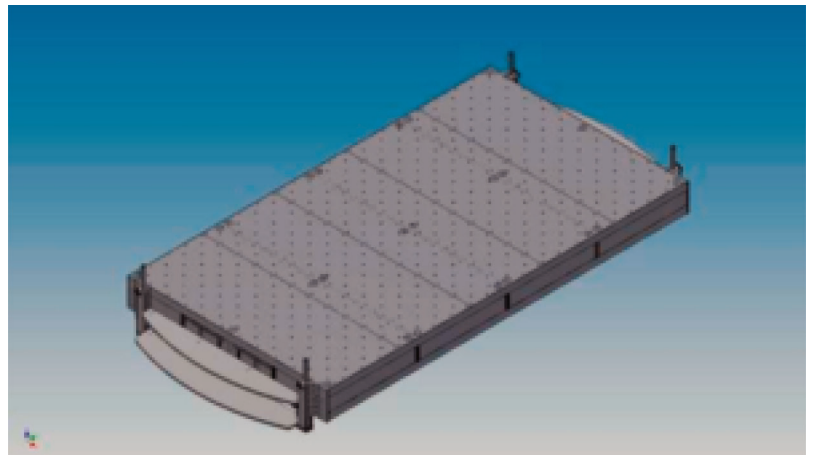






Turntables:

- Aluminum substructure - or steel constructions
- Breadboard aluminum, if necessary steel Planking (magnetic)

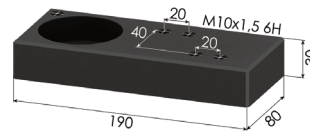


Foot Plates

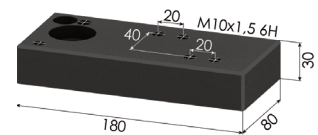
Raster	black	Description
40	SM3900S	Foot Plate 80 x 190, for center bushing; adapter foot plate
40	SM3910S	Foot Plate 80 x 180, for center bushing
40	SM3920S	Foot Plate 80 x 180, for screw joint
40	SM3940S	Foot Plate 80 x 260, for center bushing; with screw joint

**Application:**  
Foot plate for attaching and positioning a measurement device on a measurement plate.

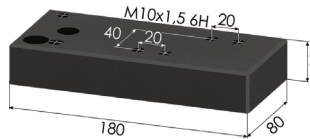
**Material:**  
• aluminum, natural anodized



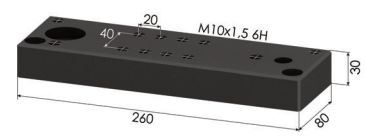
SM3900S



SM3910S



SM3920S



SM3940S

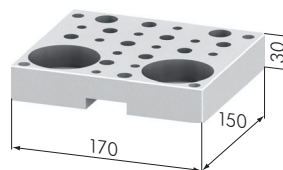


Adapter Foot Plates

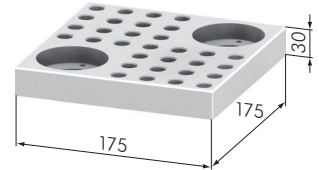
Matrix	natural	black	Description
25	SM3600N	SM3600S	Adapter Foot Plate 25, 150 x 170 x 30
25	SM3660N	SM3660S	Adapter Foot Plate 25, 175 x 175 x 30
25	SM3610N	SM3610S	Adapter Foot Plate 25, 250 x 270 x 30
40	SM3650N	SM3650S	Adapter Foot Plate 40, 250 x 270 x 30
40	SM3652N	SM3652S	Adapter Foot Plate 40, 275 x 200 x 30
40	SM3653N	SM3653S	Adapter Foot Plate 40, 275 x 280 x 30

**Application:**  
Adapter foot plate for mounting a stand on a sandwich plate.

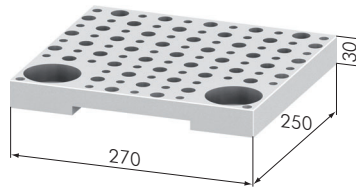
**Material:**  
• aluminum, natural anodized



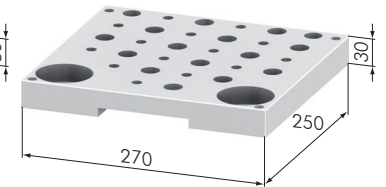
SM3600N



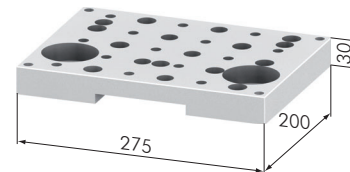
SM3660N



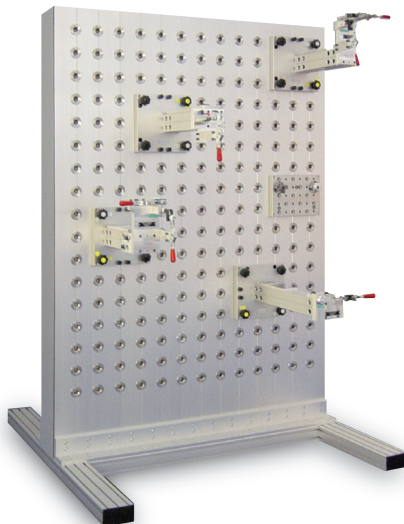
SM3610N



SM3650N



SM3652N

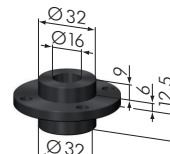


### Center Bushings

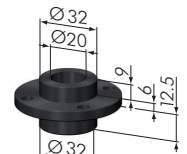
Matrix	natural	Description
40	SM3800V	Adapter Bushing, for adapter foot plate, 16 H7
40	SM3810V	Adapter Bushing, for adapter foot plate, 20 H7
40	SM3820V	Center Bushing, 16 H7
40	SM3830V	Center Bushing, 20 H7
40	SM3850S	Protection Pin, POM
40	SM3851V	Fixing Bolt
40	SM3852V	Sword Bolt

**Application:**  
Center Bushings for use in foot plates and adapter foot plates.

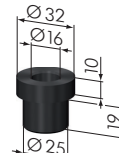
**Material:**  
• adapter bushings: steel, hardened  
• center bushings: steel, hardened  
• protection pin: POM, black



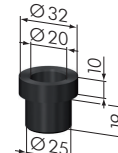
SM3800V



SM3810V



SM3820V



SM3830V



SM3850V



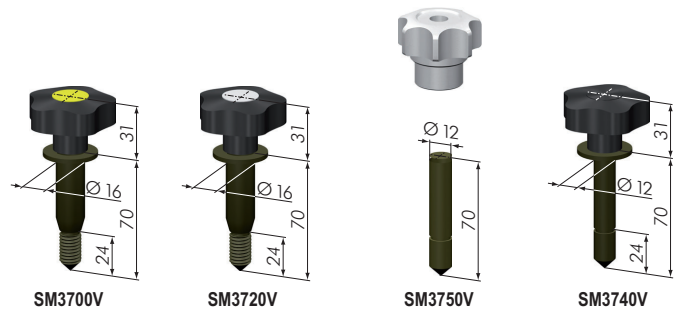
SM3851V



SM3852V

### Screw Joint Positioning

Matrix		L1	L2	Description
40	SM3700V	16 H7	SM3705V 16 H7	Screw Joint, 2 axis positioning
40	SM3710V	20 H7	SM3715V 20 H7	Screw Joint, 2 axis positioning
40	SM3720V	16 H7	SM3725V 16 H7	Screw Joint, 1 axis positioning
40	SM3730V	20 H7	SM3735V 20 H7	Screw Joint, 1 axis positioning
40	SM3740V	-	SM3745V -	Screw Connection
40	SM3750V	16 H7	SM3755V 16 H7	Quick-Release Connection
40	SM3760V	20 H7	SM3765V 20 H7	Quick-Release Connection



SM3700V

SM3720V

SM3750V

SM3740V

### Locking Unit PPS

Matrix	black	Description
40	SM3770S	Locking Unit PPS black

**Application:**  
This quick release fastener with integral adapter bushing is used to lock adapter foot plates on sandwich or matrix plates with slot hole inserts.

**Material:**  
• steel, hardened black



SM3770S

### Expanding mandrel

Matrix	black	Description
25-50	SM3771S	Expanding mandrel 20 30°
25-50	SM3772S	Expanding mandrel 20 45°



SM3771S



SM3772S

### Joint Arm Systems tothing

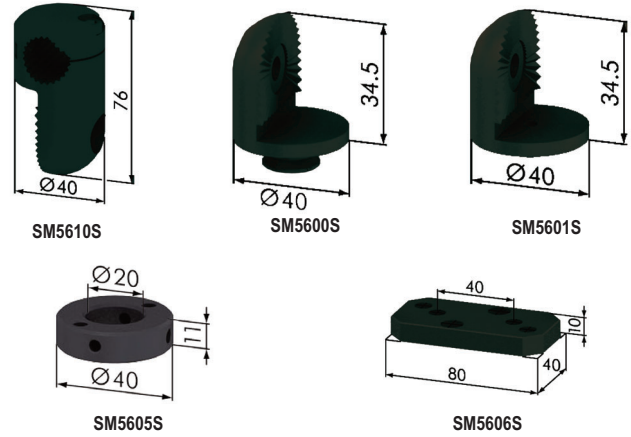
Matrix	black	Description
40	SM5610S	Joint Arm System, tothing, top
40	SM5600S	Joint Arm System, tothing, base
25	SM5601S	Joint Arm System, tothing, base, Ø 12.5 adapter
40	SM5605S	Joint Arm System Adjustment Ring
40	SM5606S	Joint Arm System Base Plate

**Application:**

Multi-functional units provide a flexible connection to clamping systems and ball points and enable heavy duty connections in 9° intervals.

**Material:**

• S aluminum, black anodized

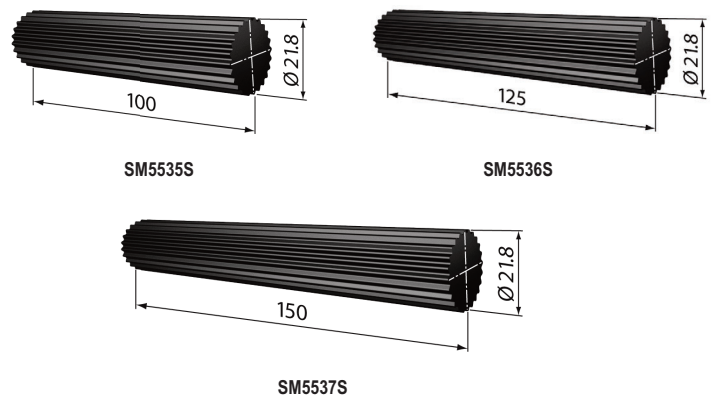


### Arms

Matrix	black	Description
40	SM5535S	Arm, Ø 20, 100 mm
40	SM5536S	Arm, Ø 20, 125 mm
40	SM5537S	Arm, Ø 20, 150 mm
40	SM5541S	Arm, Ø 20, 30 mm, tooth profile
40	SM5543S	Arm, Ø 20, 45 mm, tooth profile
40	SM5544S	Arm, Ø 20, 60 mm, tooth profile
40	SM5540S	Arm, Ø 20, 120 mm, tooth profile
40	SM5542S	Arm, Ø 20, 200 mm, tooth profile

**Material:**

• S aluminum, black anodized

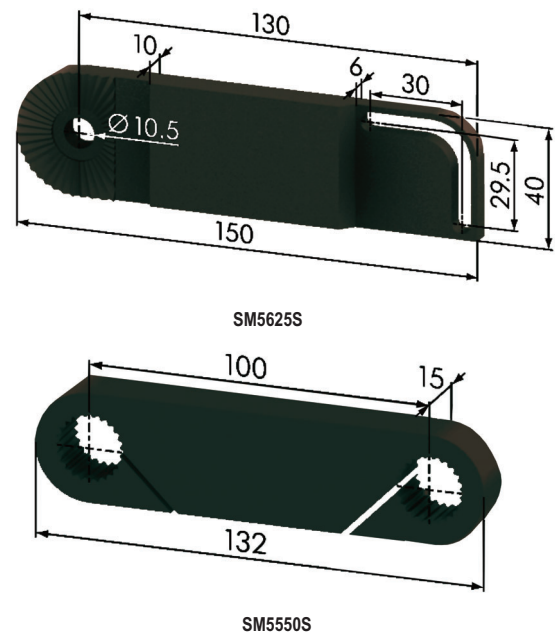


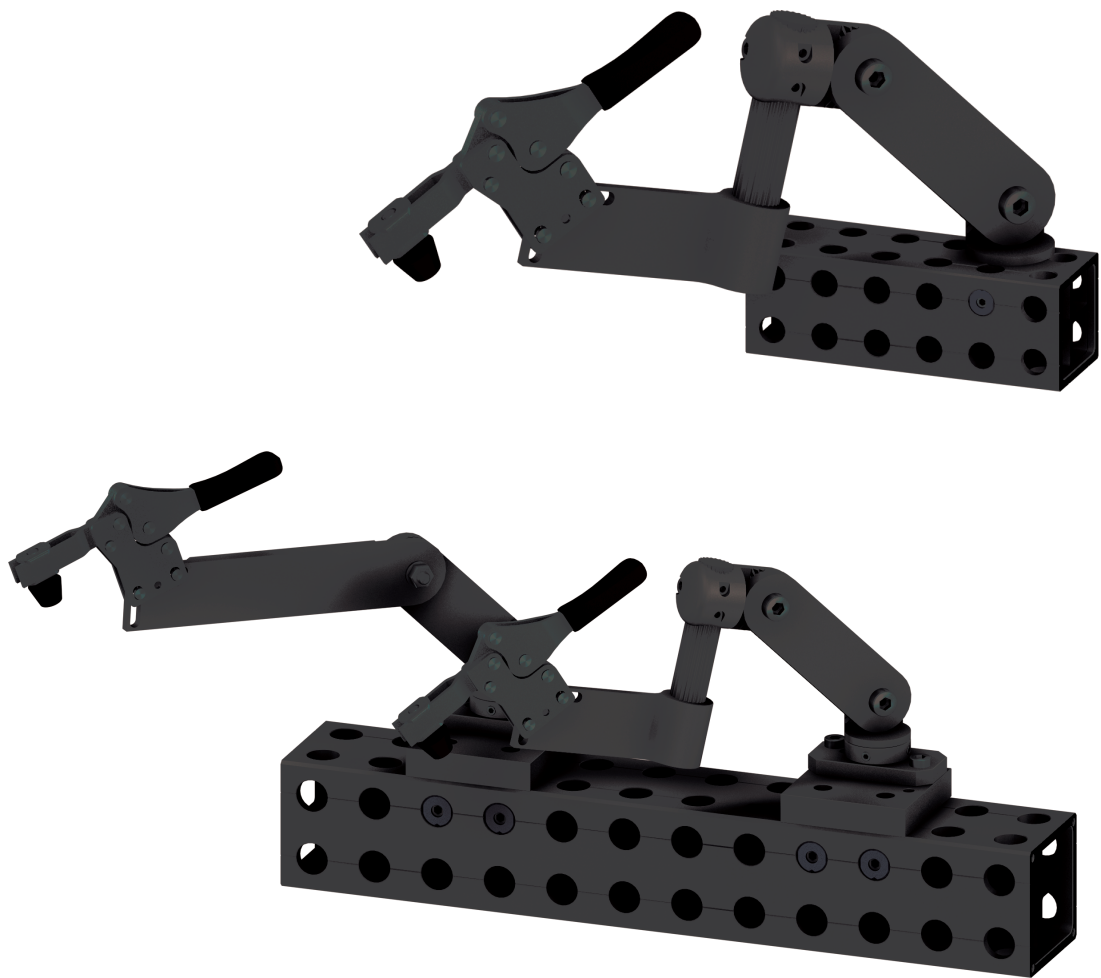
### Extension Arms tothing

Matrix	black	Description
25 / 40	SM5620S	Extension Arm, 35 mm, tothing
25 / 40	SM5621S	Extension Arm, 50 mm, tothing
25 / 40	SM5622S	Extension Arm, 70 mm, tothing
25 / 40	SM5623S	Extension Arm, 90 mm, tothing
25 / 40	SM5624S	Extension Arm, 110 mm, tothing
25 / 40	SM5625S	Extension Arm, 130 mm, tothing
25 / 40	SM5626S	Extension Arm, 150 mm, tothing
25 / 40	SM5527S	Extension Arm, 170 mm, tothing
25 / 40	SM5528S	Extension Arm, 190 mm, tothing
25 / 40	SM5550S	Leg, 100 mm

**Material:**

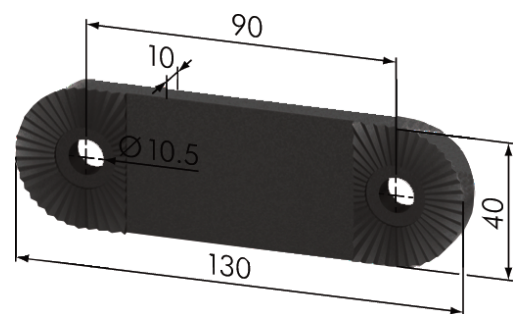
• S aluminum, black anodized





### Extension Strap toothing

Matrix	black	Description
40	<b>SM5631S</b>	Extension Strap, 50 mm, toothing
40	<b>SM5632S</b>	Extension Strap, 60 mm, toothing
40	<b>SM5633S</b>	Extension Strap, 70 mm, toothing
40	<b>SM5634S</b>	Extension Strap, 80 mm, toothing
40	<b>SM5635S</b>	Extension Strap, 90 mm, toothing
40	<b>SM5636S</b>	Extension Strap, 100 mm, toothing



SM5635S

Material:

•• S aluminum, black anodized

### Adjustment Screws

Matrix	natural	Description
25 / 40 / 50	SM5108S	Adjustment Screw Al, with receiver thread Ø 10
25 / 40 / 50	SM5109S	Adjustment Screw Al, with magnet
25 / 40 / 50	SM5113S	Adjustment Screw Al, with plastic locating surface R 18
25 / 40 / 50	SM5120V	Up-adjuster
25 / 40 / 50	SM5121V	Up-adjuster - resettable
25 / 40 / 50	SM5114S	Adjustment Screw Al / R18
25 / 40 / 50	SM5115S	Adjustment Screw Al overlay D10 + 10
25 / 40 / 50	SM5116S	Spacer Adjustment Screw 10 mm

**Application:**

Adjustment Screw with stakeout.  
 On request other special heads for the Adjustment Screws can be ordered.  
 z. B. magnetic head R8; receiving thread M6;

**Material:**

- Stainless Steel
- S Aluminium, black anodized

All heads of the adjustment screw can also be used in the up-adjuster.

In addition, there is the option to individually display the contour of the RPS area.



SM5108S



SM5109S



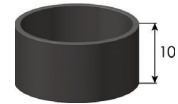
SM5113S



SM5114S



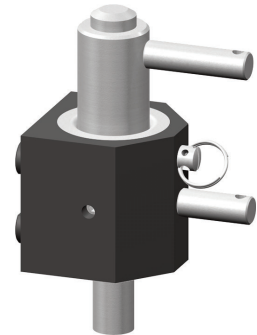
SM5115S



SM5116S



SM5120V



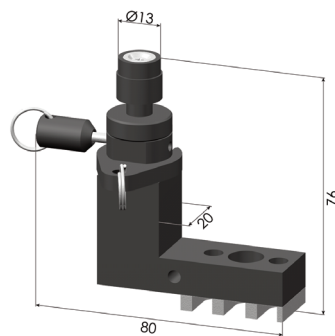
SM5121V

### Magnetic fixture

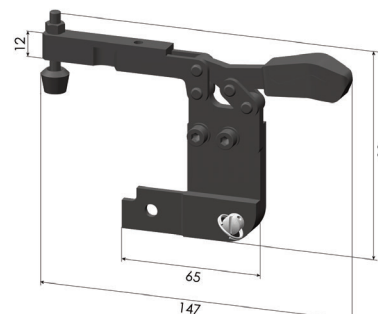
Matrix	natural	Description
25 / 40 / 50	SM5124S	Magnetic fixture
25 / 40 / 50	SM5125S	Clamping strap for magnetic fixture
25 / 40 / 50	SM5126S	Clamping strap fixture

**Material:**

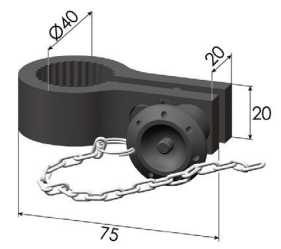
- Stainless Steel



SM5124S



SM5125S



SM5126S

### Tension And Measure Surface

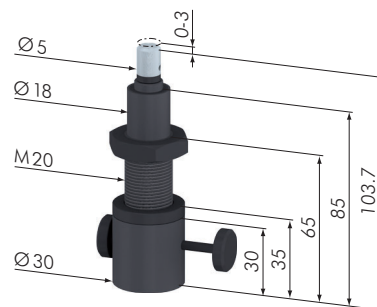
Matrix	natural	Description
25 / 40	SM5130S	Tension And Measure Surface, stroke 3 mm
25 / 40	SM5132S	Tension And Measure Surface, stroke 3 mm, bevelled

**Application:**

For clamping and fine adjustment of sheet metal for measurement purposes. To be used with clamping units.

**Material:**

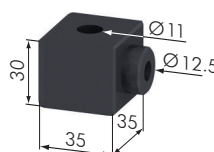
• stainless-steel



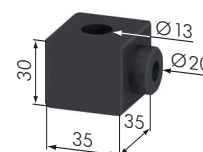
SM5130S

### Pin Holders

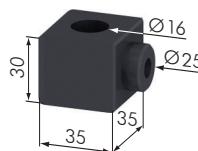
Matrix	black	Description
25	SM9101S	Pin Holder 25 Ø 11
25	SM9103S	Pin Holder 25 Ø 13
25	SM9105S	Pin Holder 25 Ø 16
25	SM9017S	Pin Holder 25 Ø 23
40	SM9100S	Pin Holder 40 Ø 11
40	SM9102S	Pin Holder 40 Ø 13
40	SM9104S	Pin Holder 40 Ø 16
40	SM9106S	Pin Holder 40 Ø 23
50	SM9108S	Pin Holder 50 Ø 11
50	SM9109S	Pin Holder 50 Ø 13
50	SM9110S	Pin Holder 50 Ø 16
50	SM9111S	Pin Holder 50 Ø 23



SM9101S



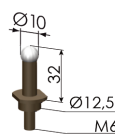
SM9102S



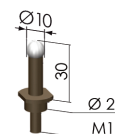
SM9110S

### Ball Points

Matrix	natural	Description
25	SM5110V	Ball Point D10 12,5 H7
40	SM5112V	Ball Point D10 20 H7
25	SM5134V	Measuring Ball Matrix 25
40	SM5136V	Measuring Ball Matrix 40
50	SM5138V	Measuring Ball Matrix 50



SM5110V



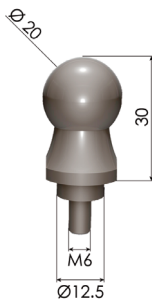
SM5112V

**Application:**

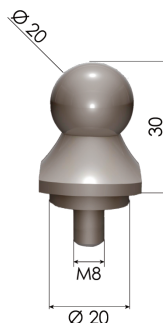
Ball point with integral adjustment screw can be used as a complete unit in conjunction with adjustment blocks.

**Material:**

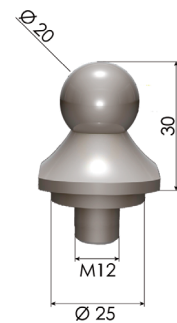
•Stainless Steel



SM5134V



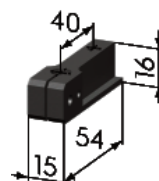
SM5136V



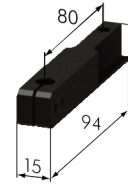
SM5138V

### Extensions 40 Toggle Clamp

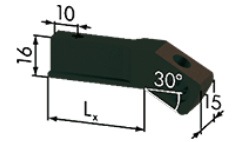
Matrix	black	Description
40	SM5591S	Extension toggle clamp 40 mm, Distance L1=40mm, Lges. 54mm
40	SM5590S	Extension toggle clamp. 80 mm, Distance L1= 80mm, Lges. = 84mm
40	SM5593S	Extension toggle clamp. 120 mm, Distance L1=120mm, Lges. 134mm
40	SM5592S	Extension toggle clamp 160 mm, Distance L1=160mm, Lges. 174mm
40	SM5588S	Extension toggle clamp angulated bottom. 40 mm
40	SM5587S	Extension toggle clamp angulated bottom, 80 mm
40	SM5585S	Extension toggle clamp angulated bottom, 120 mm
40	SM5583S	Extension toggle clamp angulated bottom, 160 mm
40	SM5589S	Extension toggle clamp angulated top, 40 mm
40	SM5577S	Extension toggle clamp angulated top, 80 mm
40	SM5578S	Extension toggle clamp angulated top, 120 mm
40	SM5579S	Extension toggle clamp angulated top, 160 mm



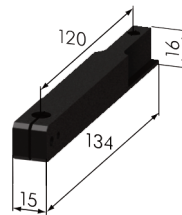
SM5591S



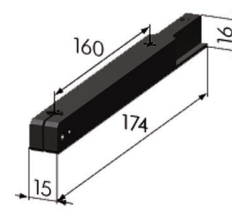
SM5590S



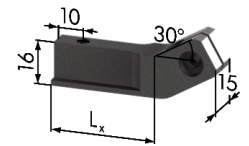
SM5583S  
SM5585S  
SM5588S  
SM5587S



SM5593S



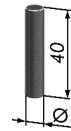
SM5592S



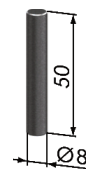
SM5577S  
SM5578S  
SM5579S  
SM5589S

### Layshafts

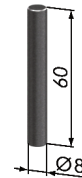
Matrix	black	Description
40	SM5481S	Layshaft, Ø8, 40 mm
40	SM5482S	Layshaft, Ø8, 50 mm
40	SM5483S	Layshaft, Ø8, 60 mm
40	SM5484S	Layshaft, Ø8, 70 mm



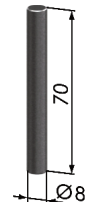
SM5481S



SM5482S



SM5483S



SM5484S

### Pressure Forks 40

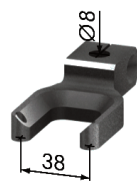
Matrix	black	Description
40	SM5595S	Pressure Fork 40, 18 mm breit thread pitch M5 = 18 mm
40	SM5596S	Pressure Fork 40, 28 mm breit thread pitch M5 = 28 mm
40	SM5598S	Pressure Fork 40, 38 mm breit thread pitch M5 = 38 mm
40	SM5597S	Pressure Fork 40, 48 mm breit thread pitch M5 = 48 mm
40	SM5599S	Pressure Fork M5 L=34mm black
40	SM5594S	Spring-Loaded Pressure Piece



SM5595S



SM5596S



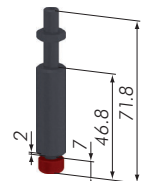
SM5598S



SM5597S



SM5599S



SM5594S

**Material:**

- S aluminum, black anodized
- Adjustable Hold Down Pin 40: steel, zinc-plated



## Toggle Clamp 25

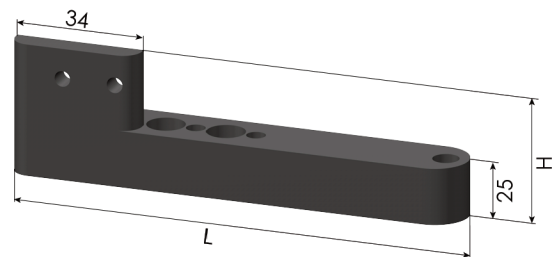
Matrix	black	Description
25	SM5430S	Toggle Clamp 6832B-1
25	SM5431S	Toggle Clamp 6835B-2
25	SM5432S	Toggle Clamp 6835BS-2
25	SM5433S	Toggle Clamp 6835BS-3
25	SM5023V	Toggle Clamp 227-U



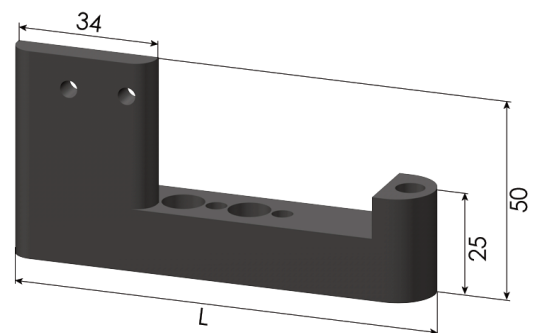
SM5430S

## Bridge for toggle clamp

Matrix	black	Description
25	SM5440S	Bridge for toggle clamp H35 L100
25	SM5441S	Bridge for toggle clamp H35 L120
25	SM5442S	Bridge for toggle clamp H35 L140
25	SM5443S	Bridge for toggle clamp H35 L160
25	SM5450S	Bridge for toggle clamp H50 L100
25	SM5451S	Bridge for toggle clamp H50 L120
25	SM5452S	Bridge for toggle clamp H50 L140
25	SM5453S	Bridge for toggle clamp H50 L160
25	SM5470S	Bridge for toggle clamp H73 L100
25	SM5471S	Bridge for toggle clamp H73 L120
25	SM5472S	Bridge for toggle clamp H73 L140
25	SM5490S	Bridge for toggle clamp with heel H50 L100
25	SM5491S	Bridge for toggle clamp with heel H50 L120
25	SM5492S	Bridge for toggle clamp with heel H50 L140
25	SM5493S	Bridge for toggle clamp with heel H50 L160



SM5440S-  
SM5472S



SM5490S-  
SM5493S

### Application:

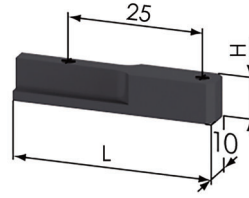
Toggle clamp for clamping the work-piece.

### Material:

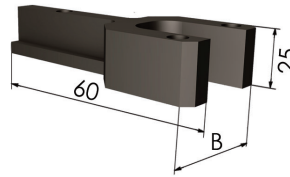
- toggle clamp: steel, black
- bridge: aluminum, black anodized
- extensions: aluminum, black anodized
- pressure piece: steel, black zinc-plated

**Extensions**

Matrix	black	Description
25	SM5410S	Extension, M5 SB5 H12 L40
25	SM5412S	Extension, M5 SB5 H12 L60
25	SM5414S	Extension, M5 SB5 H12 L80
25	SM5416S	Extension, M5 SB5 H12 L100
25	SM5418S	Extension, M5 SB5 H12 L120
25	SM5420S	Extension, M5 SB5 H12 L140
25	SM5422S	Extension, M5 SB5 H12 L160
25	SM5423S	Extension, double SB5 B25 L60
25	SM5424S	Extension, double SB5 B35 L60
25	SM5425S	Extension, double SB5 B45 L60



SM5410S-  
SM5422S



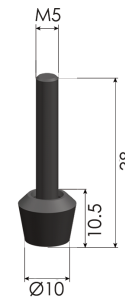
SM5423S-  
SM5425S

**Hold Down Pins**

Matrix	black	Description
25	SM5436V	Clamping spindle M8 L53
25	SM5437S	Clamping spindle M5 L38
25	SM5599S	Adjustable Hold Down Pin M5 L34



SM5436V



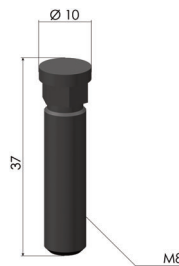
SM5437V



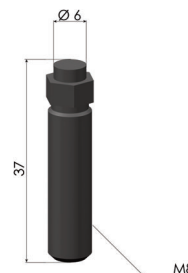
SM5599S

**Pad screw**

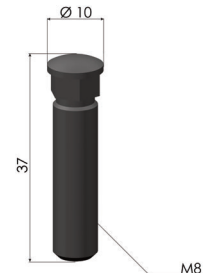
Matrix	black	Description
25	SM5447S	Pad screw M8x1 flat D10
25	SM5448S	Pad screw M8x1 flat D6
25	SM5449S	Pad screw M8x1 rounded



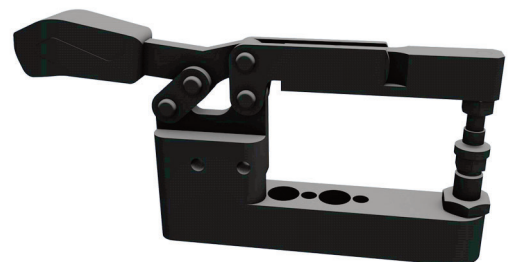
SM5447S



SM5448S



SM5449S

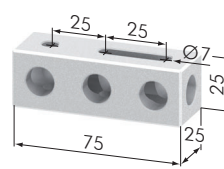


### Ashlar

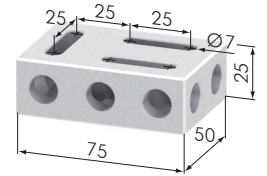
Matrix	natural	black	Description
25	SM5210N	SM5210S	Ashlar 1D, 25 x 25 x 75
25	SM5211N	SM5211S	Ashlar 2D, 25 x 50 x 75

**Material:**

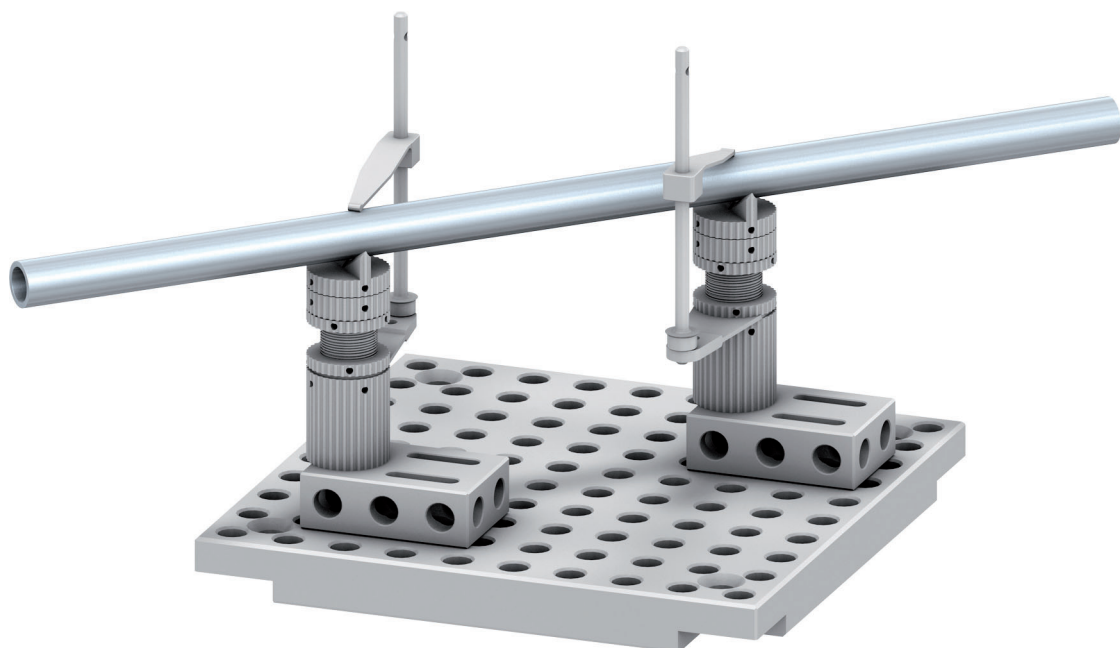
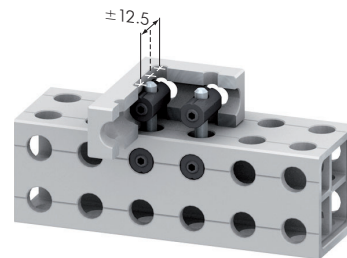
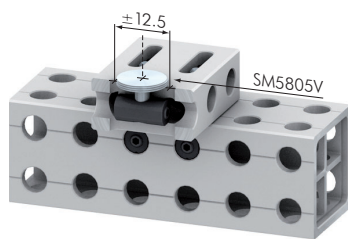
- N Aluminium, natural anodized
- S Aluminium, black anodized



SM5210N



SM5211N



**Delta Blocks**

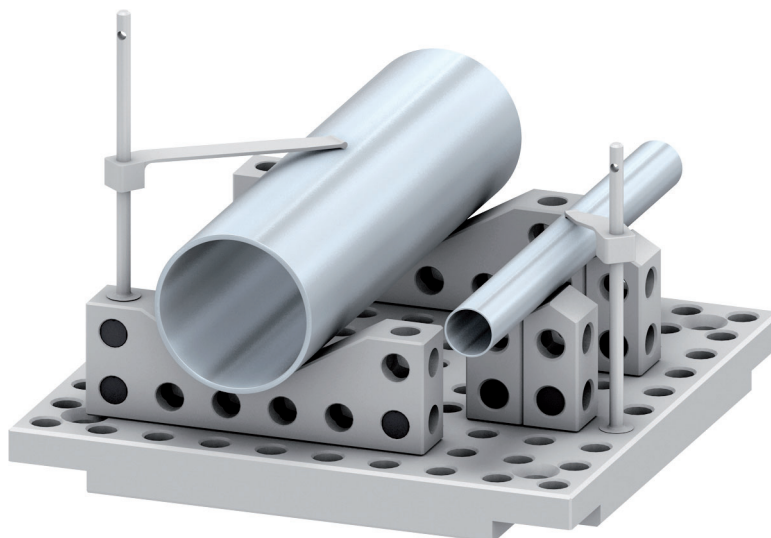
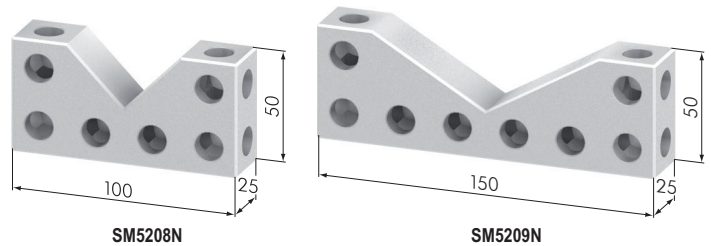
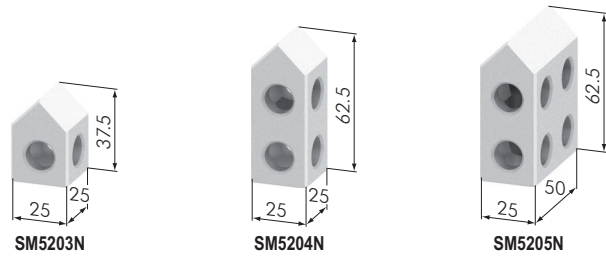
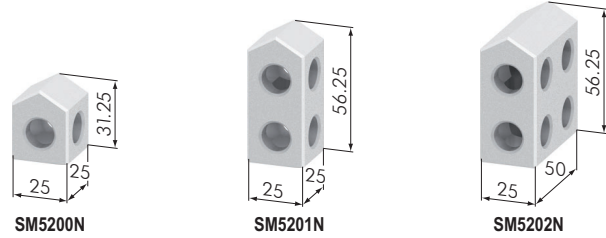
Matrix	natural	black	description
25	SM5200N	SM5200S	Delta Block 25 x 25 x 31.25 120°
25	SM5201N	SM5201S	Delta Block 25 x 25 x 56.25 120°
25	SM5202N	SM5202S	Delta Block 25 x 50 x 56.25 120°
25	SM5203N	SM5203S	Delta Block 25 x 25 x 37.5 90°
25	SM5204N	SM5204S	Delta Block 25 x 25 x 62.5 90°
25	SM5205N	SM5205S	Delta Block 25 x 50 x 62.5 90°
25	SM5208N	SM5208S	Prism 25 x 50 x 100 90°
25	SM5209N	SM5209S	Prism 25 x 50 x 150 120°

**Application:**

Delta blocks and prisms for supporting round objects.

**Material:**

- N aluminum, natural anodized
- S aluminum, black anodized

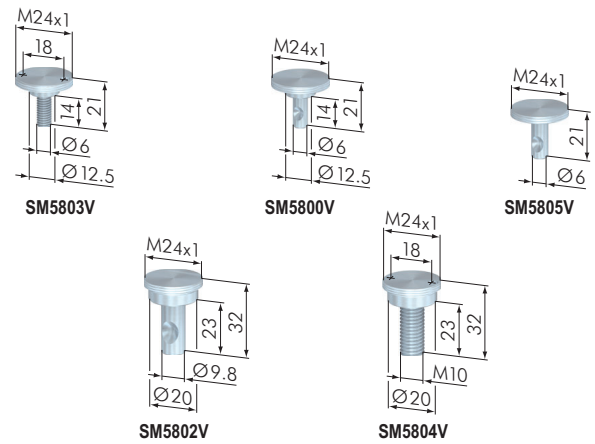


## Anchors

Matrix	natural	Description
25	SM5803V	Anchor 25, M 24 x 1 to M 6
25	SM5800V	Anchor 25, M 24 x 1
25	SM5805V	Anchor 25, M 24 x 1, for ashlar 1D / 2D
40	SM5802V	Anchor 40, M 24 x 1
40	SM5804V	Anchor 40, M 24 x 1 to M 10

**Material:**

- Stainless Steel

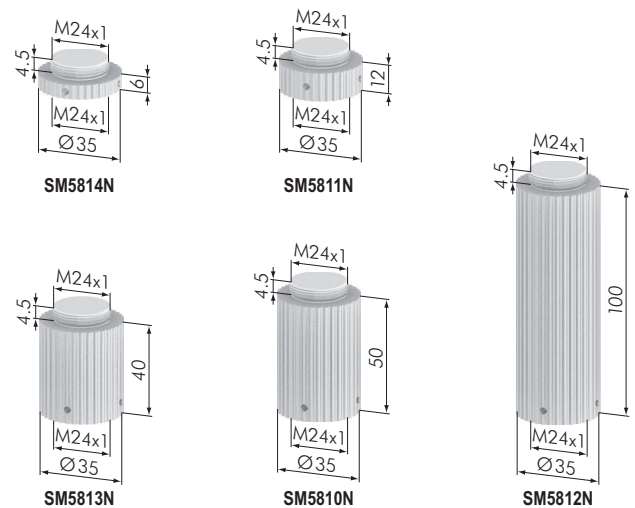


## Extensions

Matrix	natural	black	Description
25 / 40	SM5814N	SM5814S	Extension, 6 mm
25 / 40	SM5811N	SM5811S	Extension, 12 mm
25 / 40	SM5813N	SM5813S	Extension, 40 mm
25 / 40	SM5810N	SM5810S	Extension, 50 mm
25 / 40	SM5812N	SM5812S	Extension, 100 mm

**Material:**

- N aluminum, natural anodized
- S aluminum, black anodized

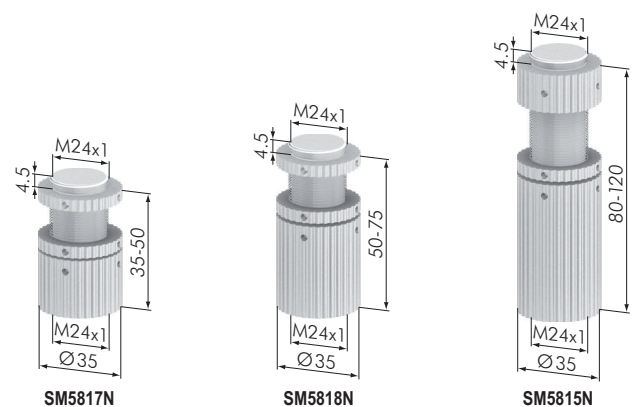


## Extensions Vario

Matrix	natural	black	Description
25 / 40	SM5817N	SM5817S	Extension Vario 35 / 50, M 24 x 1
25 / 40	SM5818N	SM5818S	Extension Vario 50 / 75, M 24 x 1
25 / 40	SM5815N	SM5815S	Extension Vario 80 / 120, M 24 x 1
25 / 40	SM5880N	-	Hinge front hole key

**Material:**

- N aluminum, natural anodized
- S aluminum, black anodized

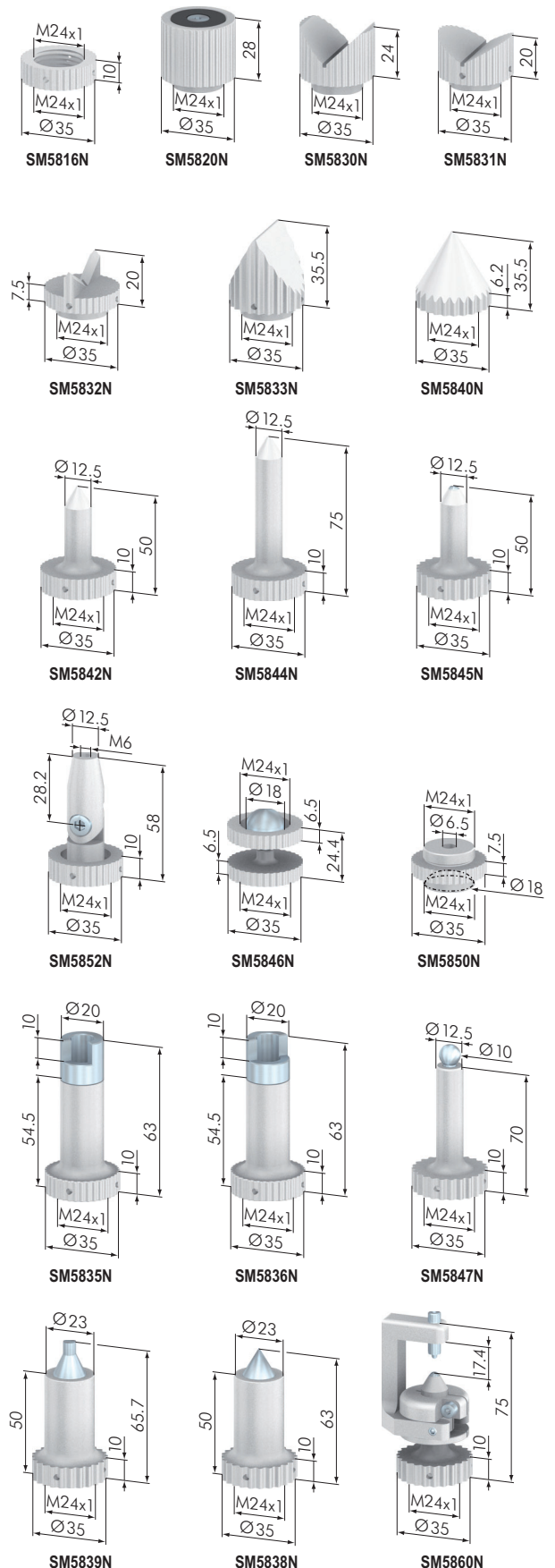
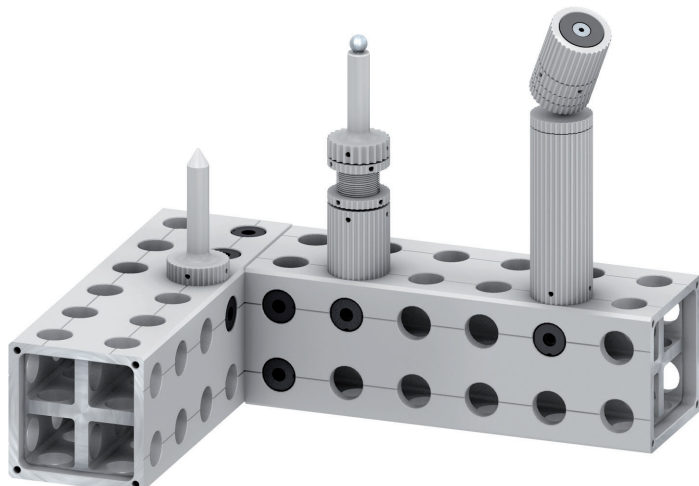


**Top Section Adapters**

Matrix	natural	black	Description
25 / 40	SM5816N	SM5816S	Ring Thread, M 24 x 1
25 / 40	SM5820N	SM5820S	Magnetic Holder, adhesive force: 36 N
25 / 40	SM5830N	SM5830S	Prism Adapter 90°
25 / 40	SM5831N	SM5831S	Prism Adapter 120°
25 / 40	SM5832N	SM5832S	Prism Knife 120°
25 / 40	SM5833N	SM5833S	Wedge Adapter 60°
25 / 40	SM5840N	SM5840S	Center, short
25 / 40	SM5842N	SM5842S	Center, L = 50 mm
25 / 40	SM5844N	SM5844S	Center, L = 75 mm
25 / 40	SM5845N	SM5845S	Center, with ball
25 / 40	SM5847N	SM5847S	Center Ø 10, L = 70 mm
25 / 40	SM5852N	SM5852S	Center Vario
25 / 40	SM5846N	SM5846S	Ball Joint
25 / 40	SM5850N	SM5850S	Ball Joint Adapter
25 / 40	SM5835N	SM5835S	Top Section Adapter, offset, 90°
25 / 40	SM5836N	SM5836S	Top Section Adapter, offset, 180°
25 / 40	SM5839N	SM5839S	Self Center, with spring-loaded cylindrical portion
25 / 40	SM5838N	SM5838S	Self Center, with spring-loaded cylindrical top
25 / 40	SM5860N	SM5860S	Clamp Holder

**Material:**

- N aluminum, natural anodized
- S aluminum, black anodized

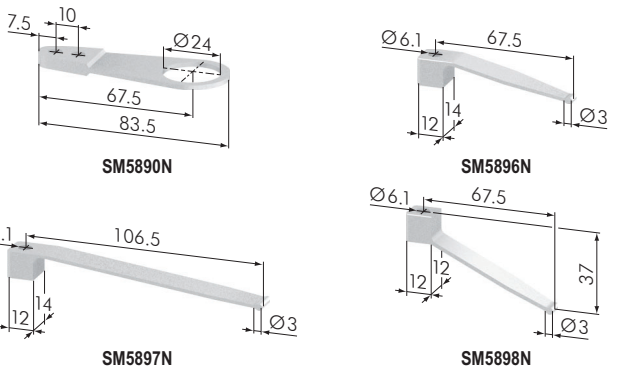
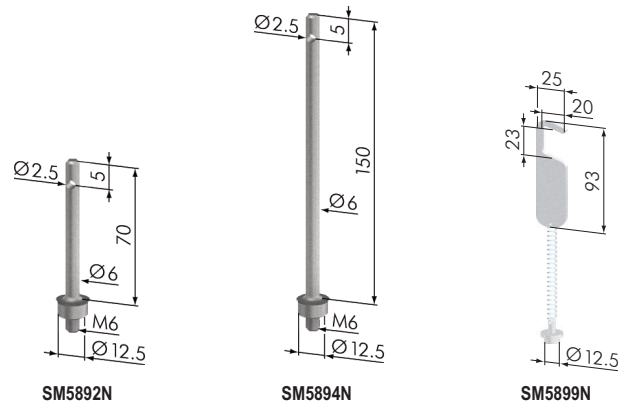
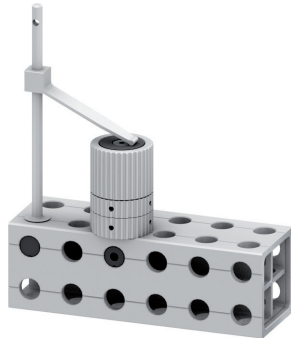


### Hold Down Pins

Matrix	natural	black	Description
25 / 40	SM5890N	SM5890S	Hold Down Pin Fixture
25 / 40	SM5892N	SM5892S	Hold Down Pin, 70 mm
25 / 40	SM5894N	SM5894S	Hold Down Pin, 150 mm
25 / 40	SM5896N	SM5896S	Hold Down Pin Spring, 60 mm
25 / 40	SM5897N	SM5897S	Hold Down Pin Spring, 105 mm
25 / 40	SM5898N	SM5898S	Hold Down Pin Spring, for low clamping, 63 mm
25 / 40	SM5899N	SM5899S	Fixing Hook, with spring

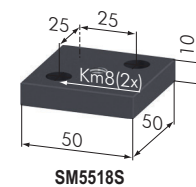
**Material:**

- N aluminum, natural anodized
- S aluminum, black anodized

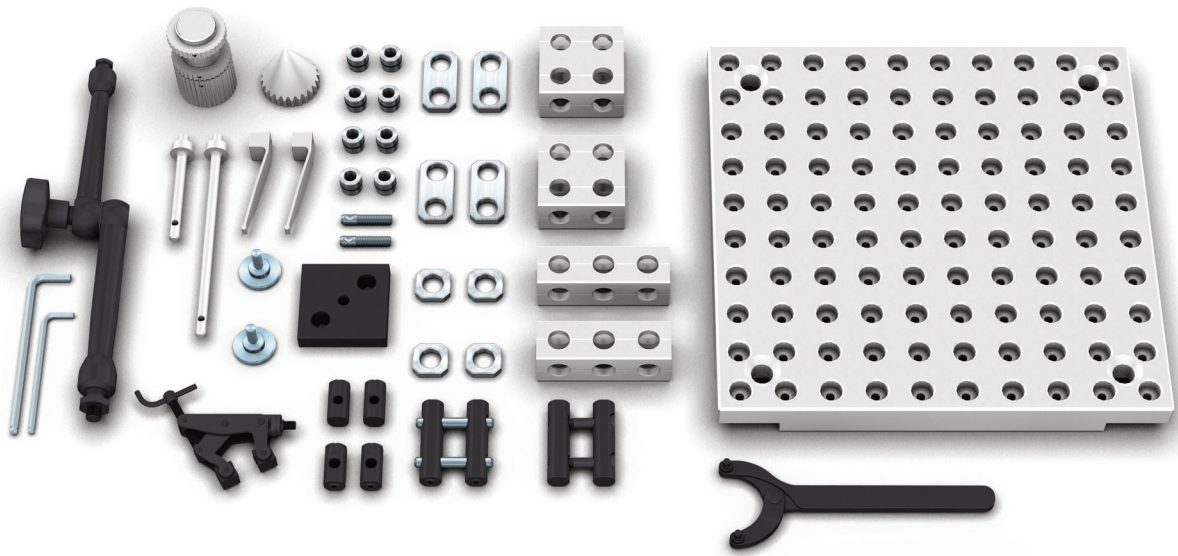


### 3D Swivel Arm

Matrix	natural	Description
25 / 40	SM5529S	3D Swivel Arm, with joint, 110 / 100
25 / 40	SM5518S	Base Plate M 8, 50 x 50
25 / 40	SM5521S	C-Clamp M 6, 25 mm
25 / 40	SM5522S	C-Clamp M 6, 50 mm



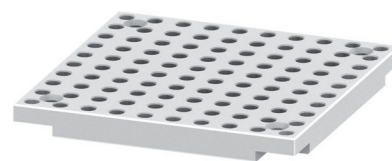
Building Set 10



Matrix	natural	black	Description
25	SM0100N	SM0100S	Building Set 10



Matrix	Pieces	natural	Description
25	1	<b>SM3010N</b>	Matrix Plate 250 x 250 x 25, natural



Matrix	Pieces	natural	Description
25	2	<b>SP6823K</b>	Precision Profile 25 x 25, L = 75 mm






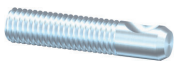









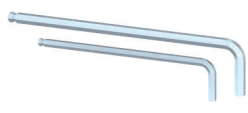

Two mounting plates 25 x 25 are included for each profile.



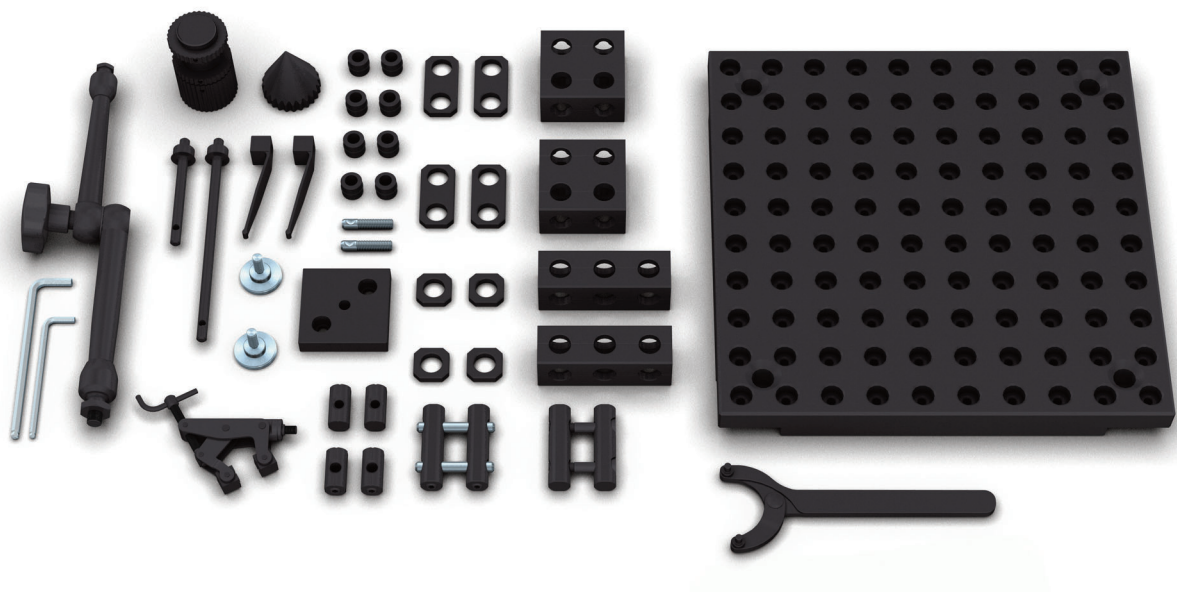
Matrix	Pieces	natural	Description
25	2	<b>SP6833K</b>	Precision Profile 25 x 50, L = 50 mm

Two mounting plates 25 x 50 are included for each profile.



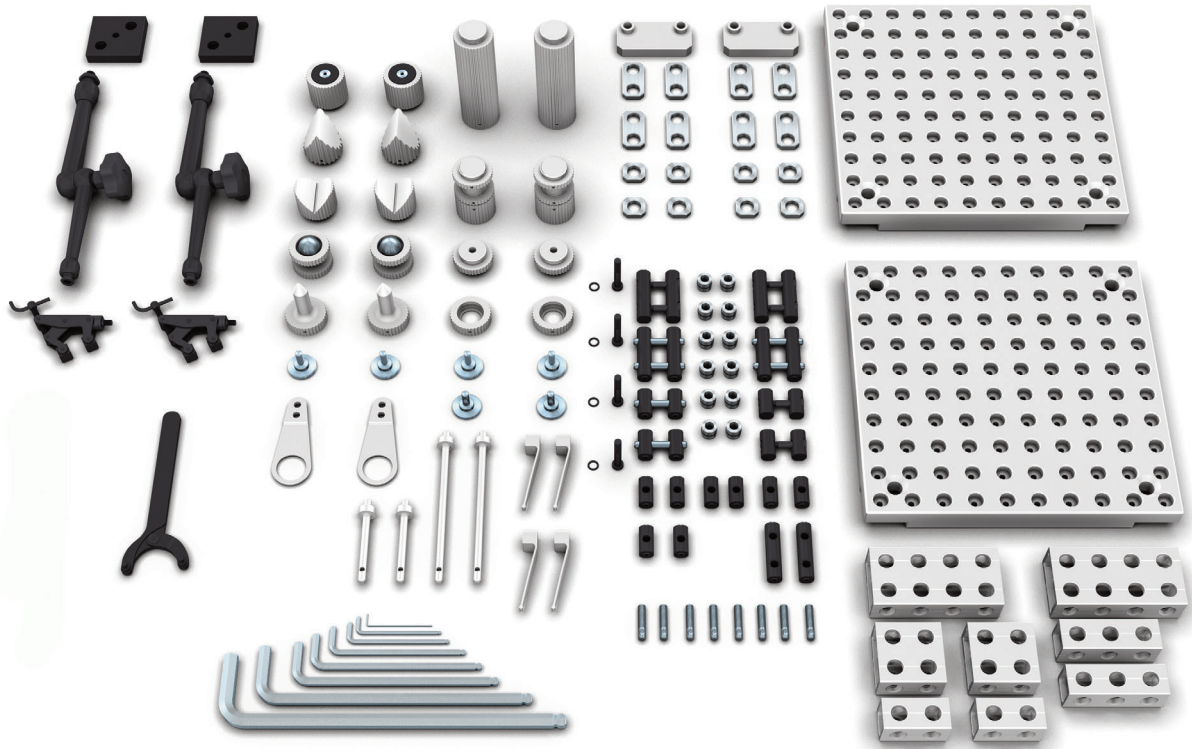
<p><b>8 SV1451N</b></p>  <p>Bushing Insert 25</p>	<p><b>1 SV4211S</b></p>  <p>Screw Connection Set 50</p>	<p><b>1 SV4201S</b></p>  <p>Double Fastener Set G 50</p>	<p><b>2 SV1490S</b></p>  <p>Precision Fastener Housing 25</p>	<p><b>2 SV1493S</b></p>  <p>Precision Bolt 25 M6</p>
<p><b>2 SV7108V</b></p>  <p>Anchor 25 M6</p>	<p><b>2 SM5803V</b></p>  <p>Anchor 25, M24 x 1 to M6</p>	<p><b>1 SM5817N</b></p>  <p>Extension Vario 35/50</p>	<p><b>1 SM5840N</b></p>  <p>Center, short</p>	<p><b>1 SM5892N</b></p>  <p>Hold Down Pin, 70 mm</p>
<p><b>1 SM5894N</b></p>  <p>Hold Down Pin, 150 mm</p>	<p><b>2 SM5896N</b></p>  <p>Hold Down Pin Spring, 60 mm</p>	<p><b>1 SM5518S</b></p>  <p>Base Plate M8, 50 x 50</p>	<p><b>1 SM5529S</b></p>  <p>3D Swivel Arm 110/100</p>	<p><b>1 SM5521S</b></p>  <p>C-Clamp M6, 25 mm</p>
<p><b>1</b></p>  <p>Hexagon Key, spanner sizes 3 and 4</p>	<p><b>1 SM5880N</b></p>  <p>Wrench, with arm</p>			

Building Set 10



Matrix	natural	black	Description
25	SM0100N	SM0100S	Building Set 10

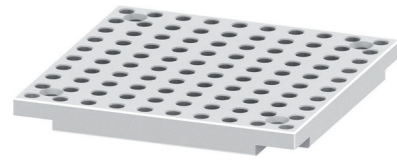
Building Set 20



Matrix	natural	black	Description
25	SM0101N	SM0101S	Building Set 20

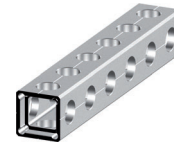
Matrix	Pieces	natural	Description
25	2	<b>SM3010N</b>	Matrix Plate 250 x 250 x 25, natural

Two connection plates 35 x 70 including screws are included.



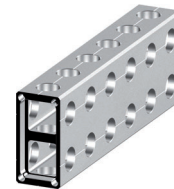
Matrix	Pieces	natural	Description
25	2	<b>SP6823K</b>	Precision Profile 25 x 25, L = 50 mm
25	2	<b>SP6823K</b>	Precision Profile 25 x 25, L = 75 mm

Two mounting plates 25 x 25 are included for each profile.

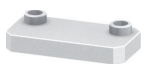


Matrix	Pieces	natural	Description
25	2	<b>SP6833K</b>	Precision Profile 50 x 50, L = 50 mm
25	2	<b>SP6833K</b>	Precision Profile 50 x 50, L = 100 mm

Two mounting plates 25 x 50 are included for each profile.



**2 SM3021N**



Connection Plate 35 x 70

**8 SV4120V**




Mounting Plate 25 x 25

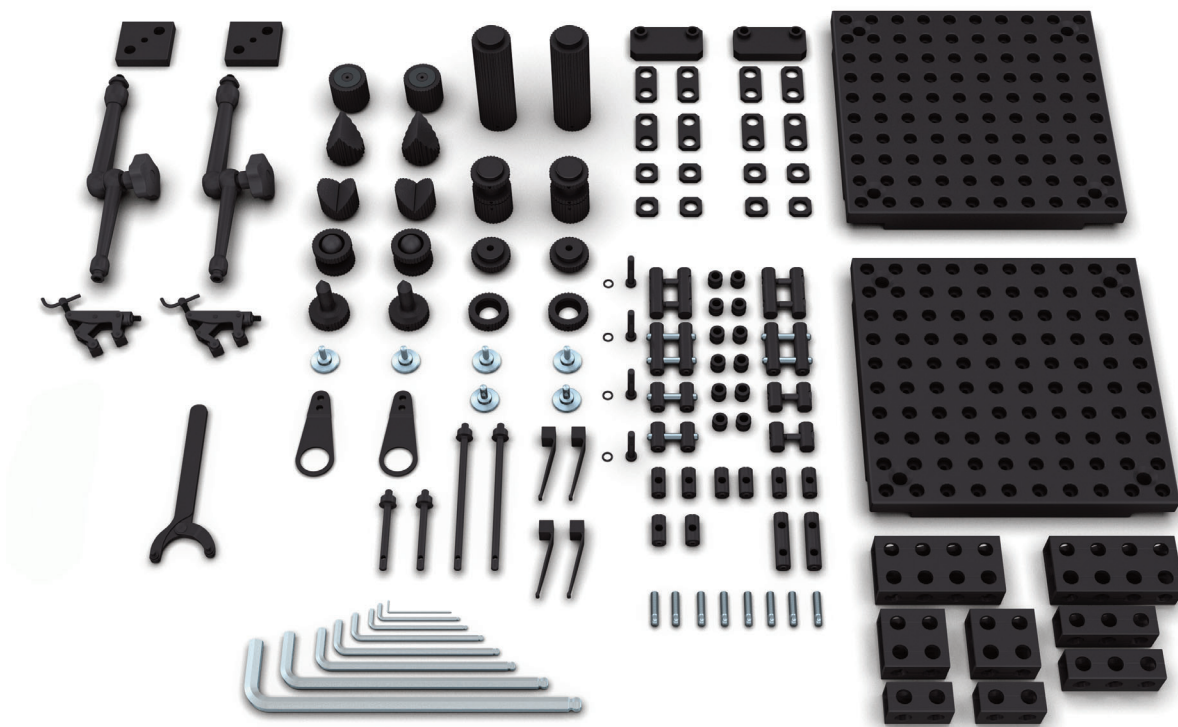
**8 SV4123V**



Mounting Plate 25 x 50

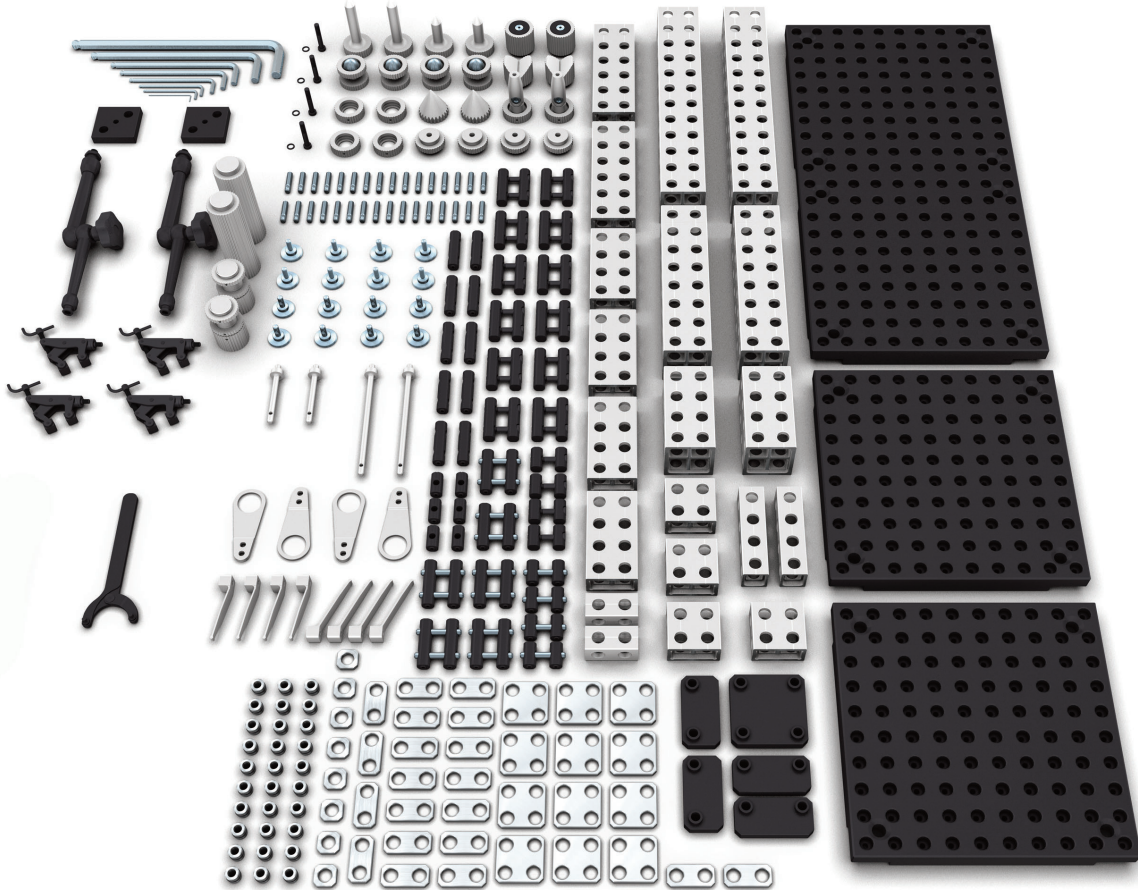
<p>12 SV1451N</p>  <p>Bushing Insert 25</p>	<p>2 SV4210S</p>  <p>Screw Connection Set 25</p>	<p>2 SV4211S</p>  <p>Screw Connection Set 50</p>	<p>2 SV4200S</p>  <p>Double Fastener Set G 25</p>	<p>2 SV4201S</p>  <p>Double Fastener Set G 50</p>
<p>8 SV1490S</p>  <p>Precision Fastener Housing 28</p>	<p>4 SV1491S</p>  <p>Precision Fastener Housing 50</p>	<p>8 SV7108V</p>  <p>Anchor 25 M 6</p>	<p>2 SM5800V</p>  <p>Anchor 25, M 24 x 1</p>	<p>4 SM5803V</p>  <p>Anchor 25, M 24 x 1 to M 6</p>
<p>2 SM5812N</p>  <p>Extension, 100 mm</p>	<p>2 SM5817N</p>  <p>Extension Vario 35 / 50</p>	<p>2 SM5820N</p>  <p>Magnetic Holder, adhesive force: 36 N</p>	<p>2 SM5830N</p>  <p>Prism Adapter 90°</p>	<p>2 SM5833N</p>  <p>Wedge Adapter 60°</p>
<p>2 SM5846N</p>  <p>Ball Joint</p>	<p>2 SM5842N</p>  <p>Center, L = 50</p>	<p>2 SM5850N</p>  <p>Ball Joint Adapter</p>	<p>2 SM5816N</p>  <p>Ring Thread, M 24 x 1</p>	<p>2 SM5890N</p>  <p>Hold Down Pin Fixture</p>
<p>2 SM5892N</p>  <p>Hold Down Pin, 70 mm</p>	<p>2 SM5894N</p>  <p>Hold Down Pin, 150 mm</p>	<p>4 SM5896N</p>  <p>Hold Down Pin Spring, 60 mm</p>	<p>2 SM5518S</p>  <p>Base Plate M 8, 50 x 50</p>	<p>2 SM5529S</p>  <p>3D Swivel Arm 110 / 100</p>
<p>2 SM5521S</p>  <p>C-Clamp M 6, 25 mm</p>	<p>1</p>  <p>Hexagon Key Set</p>	<p>1 SM5880N</p>  <p>Spanner Wrench, with arm</p>		

Building Set 20



Matrix	natural	black	Description
25	SM0101N	SM0101S	Building Set 20

Building Set 30



Matrix	natural	black	Description
25	SM0102N	SM0102S	Building Set 30



Matrix	Pieces	natural	Description
25	2	SM3010S	Matrix Plate 250 x 250 x 25, black
25	1	SM3011S	Matrix Plate 250 x 500 x 25, black



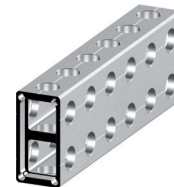
One connection plate 70 x 70 and four connection plates 35 x 70 including screws are included..

Matrix	Pieces	natural	Description
25	2	SP6823K	Precision Profile 25 x 25, L = 50 mm
25	2	SP6823K	Precision Profile 25 x 25, L = 100 mm



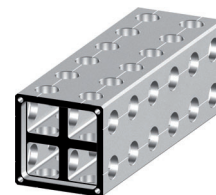
Two mounting plates 25 x 25 are included for each profile.

Matrix	Pieces	natural	Description
25	4	SP6833K	Precision Profile 25 x 50, L = 50 mm
25	4	SP6833K	Precision Profile 25 x 50, L = 100 mm
25	2	SP6833K	Precision Profile 25 x 50, L = 150 mm



Two mounting plates 25 x 50 are included for each profile.

Matrix	Pieces	natural	Description
25	2	SP6853K	Precision Profile 50 x 50, L = 100 mm
25	2	SP6853K	Precision Profile 50 x 50, L = 200 mm
25	2	SP6853K	Precision Profile 50 x 50, L = 300 mm



Two mounting plates 50 x 50 are included for each profile.

1 SM3020N



Connection Plate 70 x 70

4 SM3021N



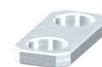
Connection Plate 35 x 70

8 SV4120V



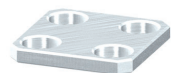
Mounting Plate 25 x 25

20 SV4123V



Mounting Plate 25 x 50

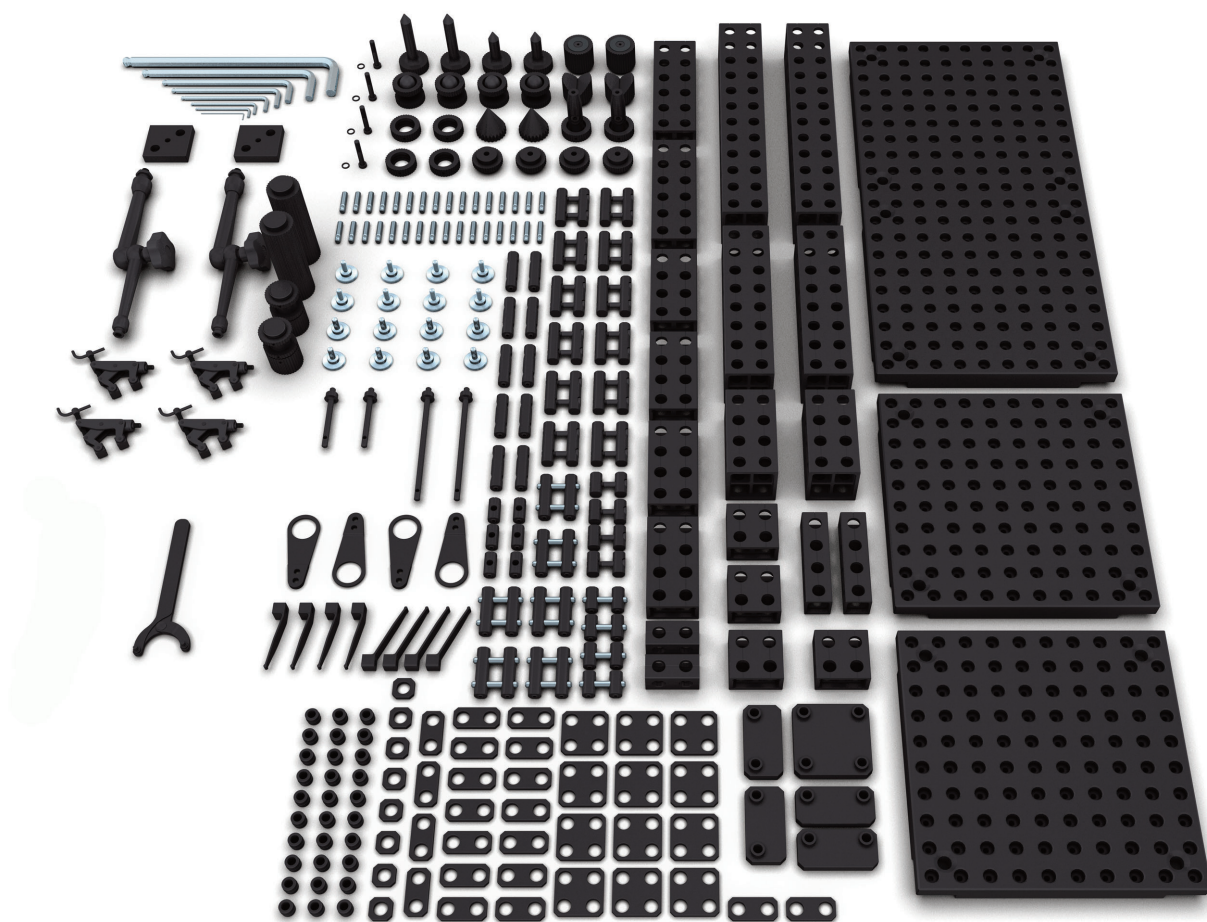
12 SV4122V



Mounting Plate 50 x 50

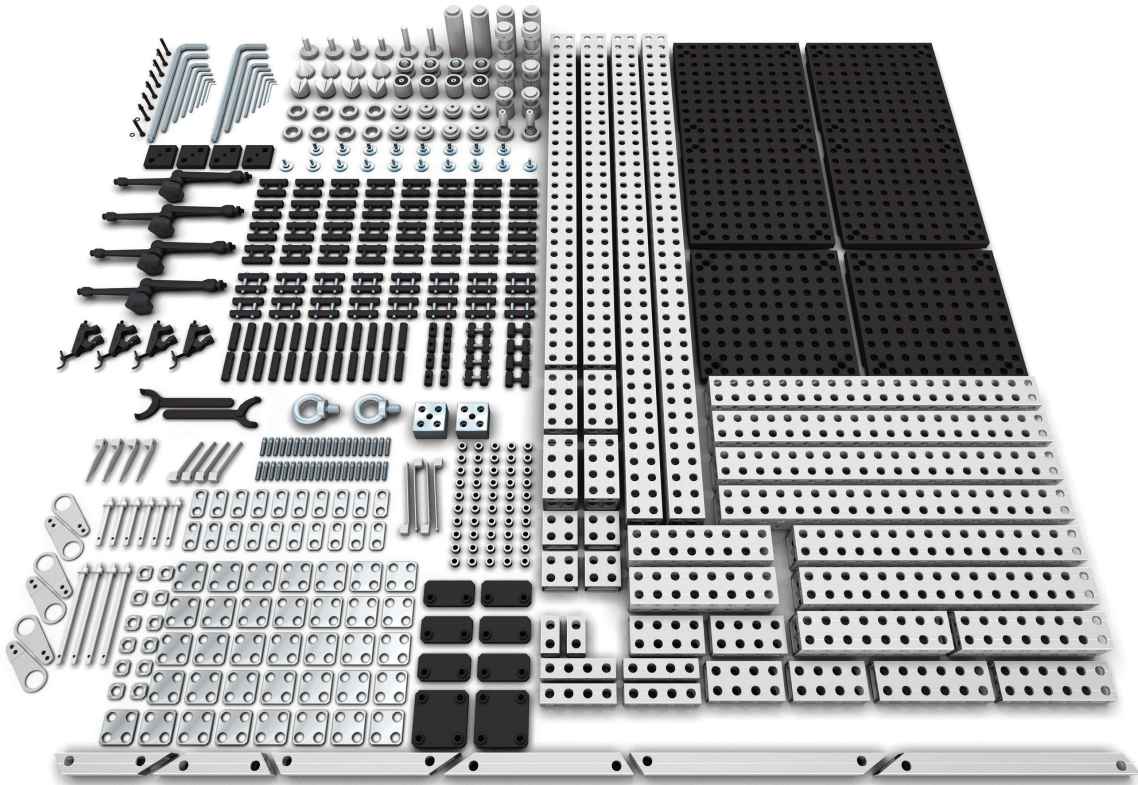
<p><b>30 SV1451N</b></p>  <p>Bushing Insert 25</p>	<p><b>4 SV4210S</b></p>  <p>Screw Connection Set 25</p>	<p><b>12 SV4211S</b></p>  <p>Screw Connection Set 50</p>	<p><b>4 SV4200S</b></p>  <p>Double Fastener Set G 25</p>	<p><b>8 SV4201S</b></p>  <p>Double Fastener Set G 50</p>
<p><b>6 SV1490S</b></p>  <p>Precision Fastener Housing 25</p>	<p><b>20 SV1491S</b></p>  <p>Precision Fastener Housing 50</p>	<p><b>32 SV7108V</b></p>  <p>Anchor 25 M 6</p>	<p><b>8 SM5800V</b></p>  <p>Anchor 25, M 24 x 1</p>	<p><b>8 SM5803V</b></p>  <p>Anchor 25, M 24 x 1 to M 6</p>
<p><b>2 SM5812N</b></p>  <p>Extension, 100 mm</p>	<p><b>2 SM5817N</b></p>  <p>Extension Vario 35 / 50</p>	<p><b>2 SM5818N</b></p>  <p>Extension Vario 50 / 75</p>	<p><b>2 SM5820N</b></p>  <p>Magnetic Holder, adhesive force: 36 N</p>	<p><b>2 SM5830N</b></p>  <p>Prism Adapter 90°</p>
<p><b>2 SM5846N</b></p>  <p>Ball Joint</p>	<p><b>2 SM5842N</b></p>  <p>Center, L = 50</p>	<p><b>2 SM5844N</b></p>  <p>Center, L = 75</p>	<p><b>2 SM5840N</b></p>  <p>Center, short</p>	<p><b>4 SM5850N</b></p>  <p>Ball Joint Adapter</p>
<p><b>4 SM5816N</b></p>  <p>Ring Thread, M 24 x 1</p>	<p><b>2 SM5852N</b></p>  <p>Center Vario, M 24 x 1</p>	<p><b>4 SM5890N</b></p>  <p>Hold Down Pin Fixture</p>	<p><b>4 SM5892N</b></p>  <p>Hold Down Pin, 70 mm</p>	<p><b>2 SM5894N</b></p>  <p>Hold Down Pin, 150 mm</p>
<p><b>4 SM5896N</b></p>  <p>Hold Down Pin Spring, 60 mm</p>	<p><b>4 SM5898N</b></p>  <p>Hold Down Pin Spring, for lowclamping, 60 mm</p>	<p><b>2 SM5518S</b></p>  <p>Base Plate M 8, 50 x 50</p>	<p><b>2 SM5529S</b></p>  <p>3D Swivel Arm 110 / 100</p>	<p><b>2 SM5521S</b></p>  <p>C-Clamp M 6, 25 mm</p>
<p><b>1</b></p>  <p>Hexagon Key Set</p>	<p><b>1 SM5880N</b></p>  <p>Wrench, with arm</p>			

Building Set 30



Matrix	natural	black	Description
25	SM0102N	SM0102S	Building Set 30

Building Set 40



Matrix	natural	black	Description
25	SM0103N	SM0103S	Building Set 40

A tool trolley is included.



Matrix	natural	black	Description
25	2	SM3010S	Matrix Plate 250 x 250 x 25, black
25	2	SM3011S	Matrix Plate 250 x 500 x 25, black



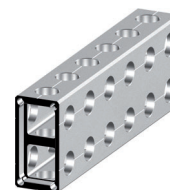
Two connection plates 70 x 70 and six connection plates 35 x 70 including screws are included.

Matrix	natural	black	Description
25	2	SP6823K	Precision Profile 25 x 25, L = 50 mm
25	4	SP6823K	Precision Profile 25 x 25, L = 100 mm



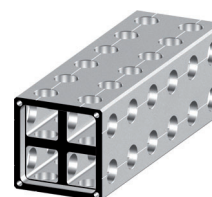
Two mounting plates 25 x 25 are included for each profile.

Matrix	natural	black	Description
25	4	SP6833K	Precision Profile 25 x 50, L = 50 mm
25	4	SP6833K	Precision Profile 25 x 50, L = 100 mm
25	2	SP6833K	Precision Profile 25 x 50, L = 150 mm



Two mounting plates 25 x 50 are included for each profile.

Matrix	natural	black	Description
25	4	SP6853K	Precision Profile 50 x 50, L = 100 mm
25	4	SP6853K	Precision Profile 50 x 50, L = 200 mm
25	2	SP6853K	Precision Profile 50 x 50, L = 400 mm
25	4	SP6853K	Precision Profile 50 x 50, L = 500 mm
25	2	SP6853K	Precision Profile 50 x 50, L = 750 mm
25	2	SP6853K	Precision Profile 50 x 50, L = 1000 mm



Two mounting plates 50 x 50 are included for each profile.

2 SM3020N



Connection Plate 70 x 70

6 SM3021N



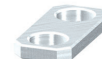
Connection Plate 35 x 70

12 SV4120V



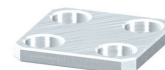
Mounting Plate 25 x 25

20 SV4123V



Mounting Plate 25 x 50

36 SV4121V



Mounting Plate 50 x 50

50 SV1451N



Bushing Insert 25

4 SV4210S



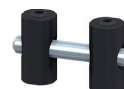
Screw Connection Set 25

32 SV4211S



Screw Connection Set 50

4 SV4200S





























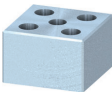



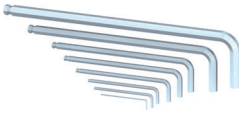



Double Fastener Set G 25

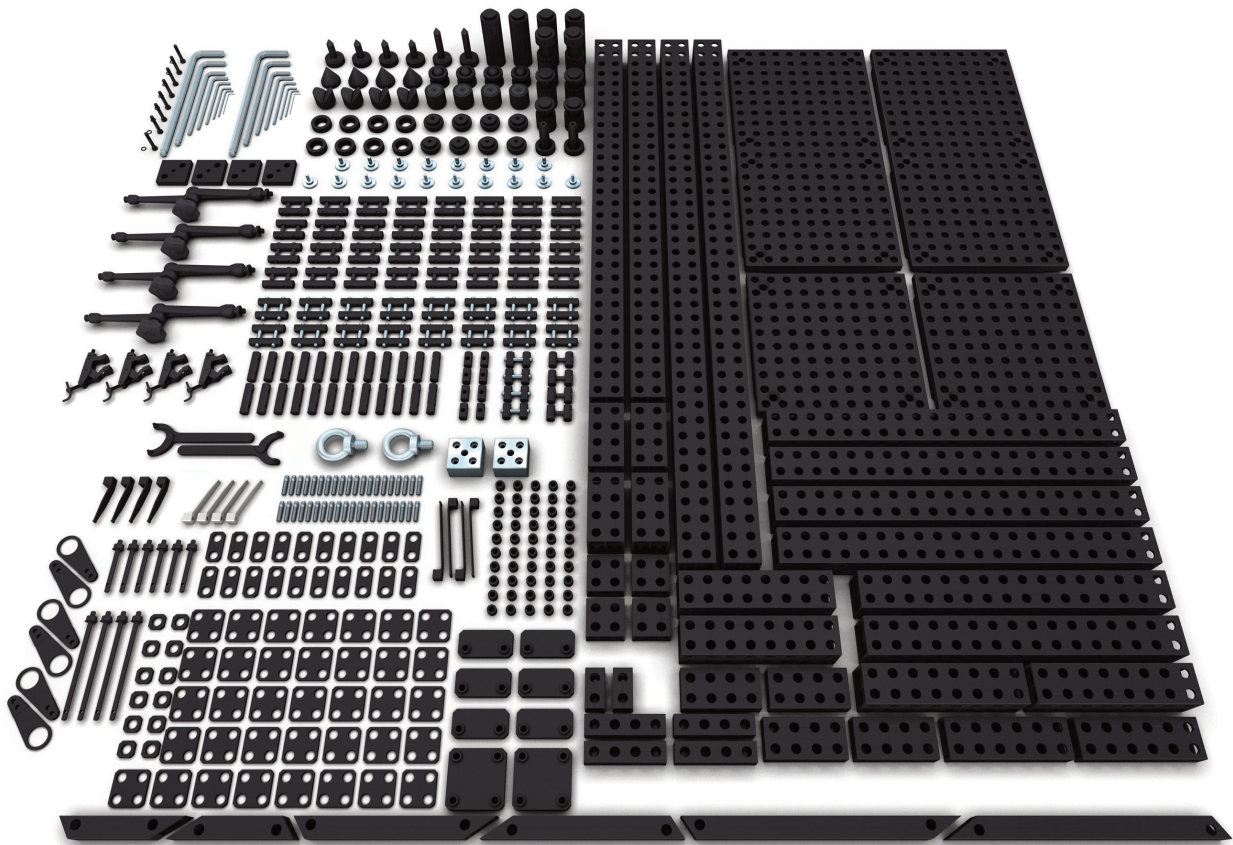
16 SV4201S



Double Fastener Set G 50

<p><b>8 SV1490S</b></p>  <p>Precision Fastener Housing 25</p>	<p><b>24 SV1491S</b></p>  <p>Precision Fastener Housing 50</p>	<p><b>40 SV7108V</b></p>  <p>Anchor 25 M 6</p>	<p><b>8 SM5800V</b></p>  <p>Anchor 25, M 24 x 1</p>	<p><b>10 SM5803V</b></p>  <p>Anchor 25, M 24 x 1 to M 6</p>
<p><b>4 SM5812N</b></p>  <p>Extension, 100 mm</p>	<p><b>2 SM5817N</b></p>  <p>Extension Vario 35 / 50</p>	<p><b>2 SM5818N</b></p>  <p>Extension Vario 50 / 75</p>	<p><b>2 SM5815N</b></p>  <p>Extension Vario 80 / 120</p>	<p><b>4 SM5820N</b></p>  <p>Magnetic Holder, adhesive force: 36 N</p>
<p><b>4 SM5830N</b></p>  <p>Prism Adapter 90°</p>	<p><b>2 SM5833N</b></p>  <p>Wedge Adapter 60°</p>	<p><b>6 SM5846N</b></p>  <p>Ball Joint</p>	<p><b>4 SM5842N</b></p>  <p>Center, L = 50</p>	<p><b>2 SM5844N</b></p>  <p>Center, L = 75</p>
<p><b>4 SM5840N</b></p>  <p>Center, short</p>	<p><b>6 SM5850N</b></p>  <p>Ball Joint Adapter</p>	<p><b>8 SM5816N</b></p>  <p>Ring Thread, M 24 x 1</p>	<p><b>4 SM5852N</b></p>  <p>Center Vario, M 24 x 1</p>	<p><b>4 SM5518S</b></p>  <p>Base Plate M 8, 50 x 50</p>
<p><b>4 SM5529S</b></p>  <p>3D Swivel Arm 110 / 100</p>	<p><b>6 SM5521S</b></p>  <p>C-Clamp M 6, 25 mm</p>	<p><b>6 SM5890N</b></p>  <p>Hold Down Pin Fixture</p>	<p><b>6 SM5892N</b></p>  <p>Hold Down Pin Fixture</p>	<p><b>4 SM5894N</b></p>  <p>Hold Down Pin, 150 mm</p>
<p><b>6 SM5896N</b></p>  <p>Hold Down Pin Spring, 60 mm</p>	<p><b>4 SM5897N</b></p>  <p>Hold Down Pin Spring, 105 mm</p>	<p><b>4 SM5898N</b></p>  <p>Hold Down Pin Spring, for low clamping, 60 mm</p>	<p><b>2 SZ0305V</b></p>  <p>Crane Plate 50 x 50</p>	<p><b>2 SP6822Y0304</b></p>  <p>Precision Gusset 25 x 25 3 / 4</p>
<p><b>2 SP6822Y0507</b></p>  <p>Precision Gusset 25 x 25 5 / 7</p>	<p><b>2 SP6822Y0710</b></p>  <p>Precision Gusset 25 x 25 7 / 10</p>	<p><b>2</b></p>  <p>Hexagon Key Set</p>	<p><b>2 SM5880N</b></p>  <p>Wrench, with arm</p>	

Building Set 40

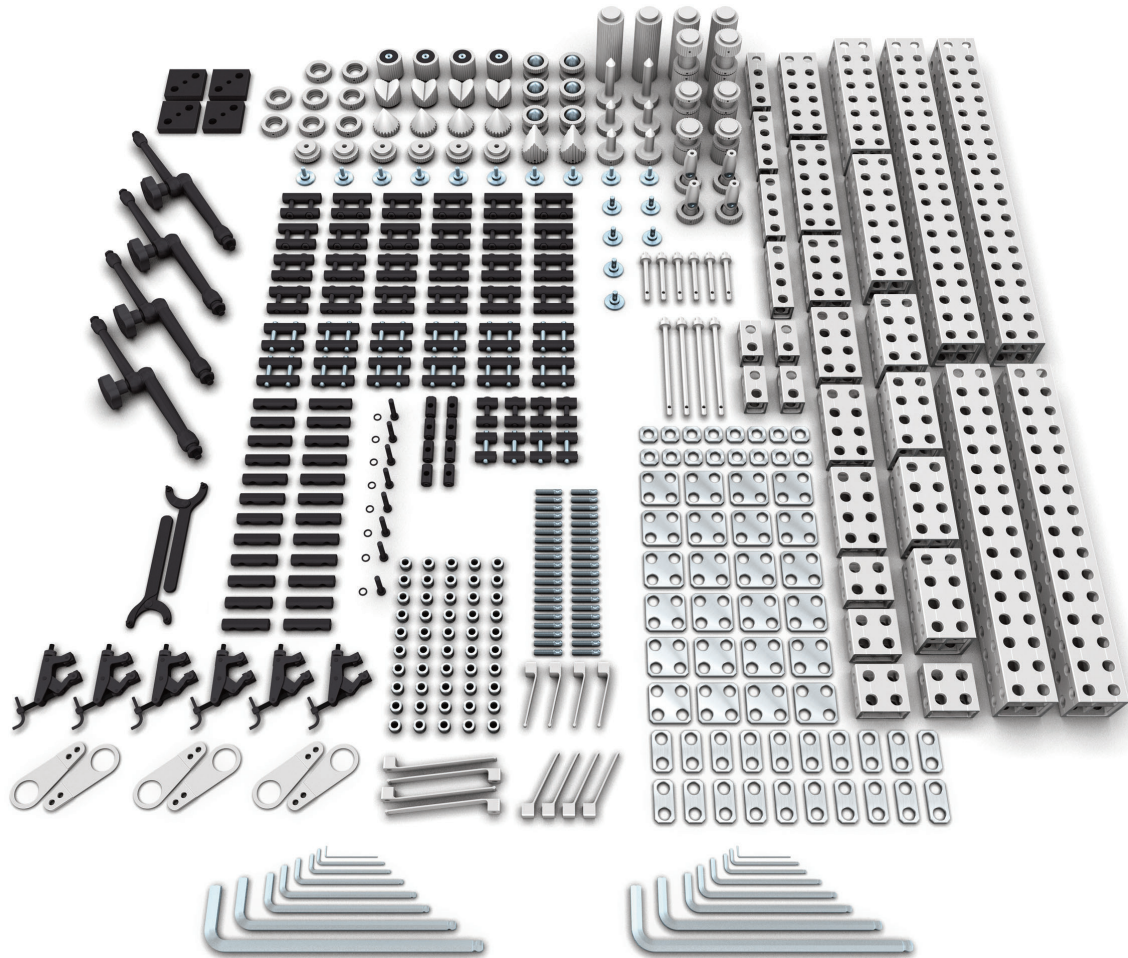


Matrix	natural	black	Description
25	SM0103N	SM0103S	Building Set 40

A tool trolley is included..



Building Set 50



Matrix	natural	black	Description
25	SM0104N	SM0104S	Building Set 50

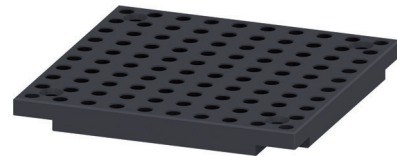
A tool trolley is included.





Matrix	Pieces	black	Description
25	1	mounted	Matrix Plate 600 x 600 x 25, black

Matrix plate is mounted on tool trolley..



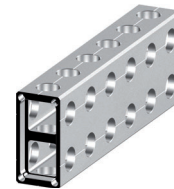
Matrix	Pieces	black	Description
25	4	SP6823K	Precision Profile 25 x 25, L = 50 mm
25	4	SP6823K	Precision Profile 25 x 25, L = 100 mm

Two mounting plates 25 x 25 are included for each profile.



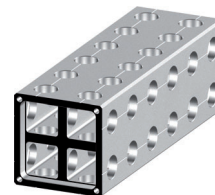
Matrix	Pieces	black	Description
25	4	SP6833K	Precision Profile 25 x 50, L = 50 mm
25	4	SP6833K	Precision Profile 25 x 50, L = 100 mm
25	2	SP6833K	Precision Profile 25 x 50, L = 150 mm

Two mounting plates 25 x 50 are included for each profile.



Matrix	Pieces	black	Description
25	4	SP6853K	Precision Profile 50 x 50, L = 100 mm
25	2	SP6853K	Precision Profile 50 x 50, L = 200 mm
25	2	SP6853K	Precision Profile 50 x 50, L = 400 mm
25	2	SP6853K	Precision Profile 50 x 50, L = 500 mm

Two mounting plates 50 x 50 are included for each profile.

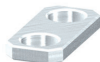


16 SV4120V



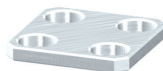
Mounting Plate 25 x 25

20 SV4123V



Mounting Plate 25 x 50

20 SV4121V



Mounting Plate 50 x 50

40 SV1451N



Bushing Insert 25

4 SV4210S



Screw Connection Set 25

24 SV4211S



Screw Connection Set 50

4 SV4200S



Double Fastener Set G 25

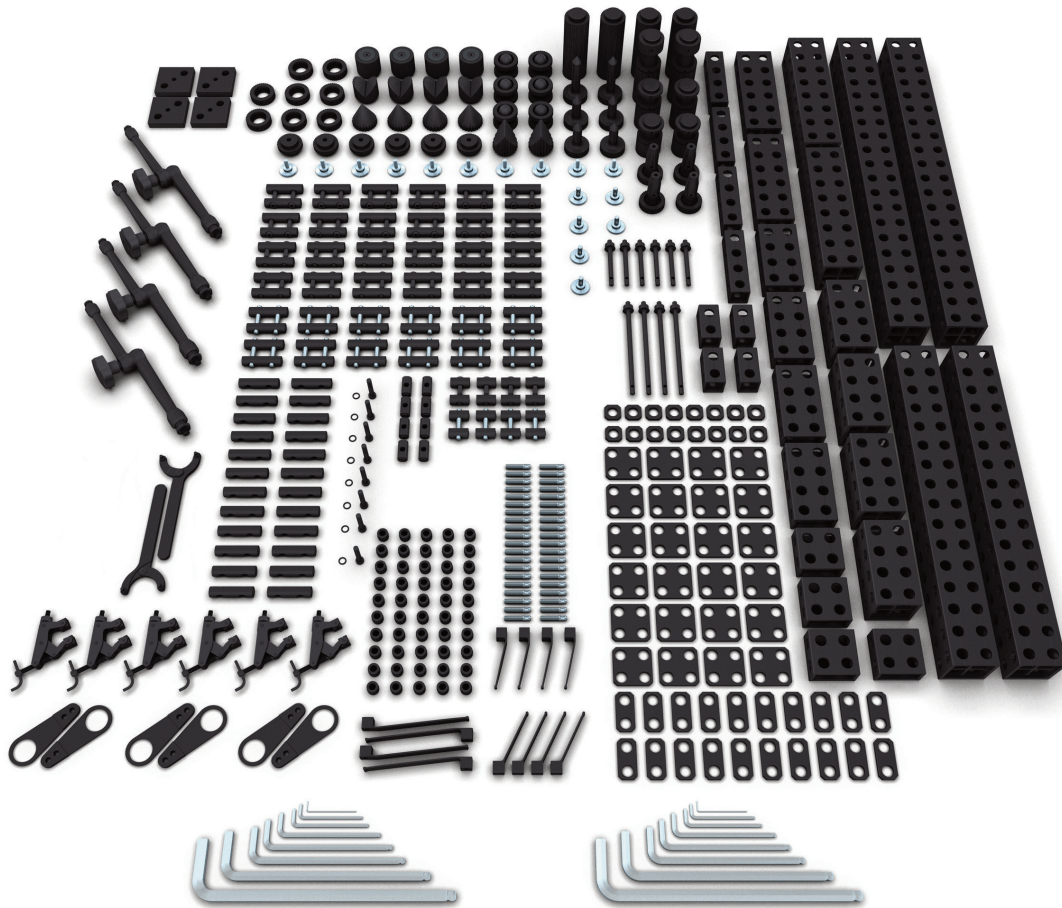
12 SV4201S



Double Fastener Set G 50

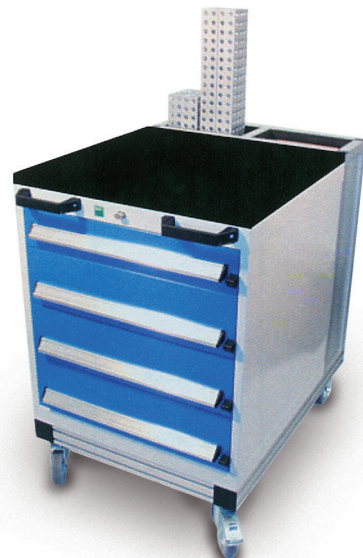
<p><b>8 SV1490S</b></p>  <p>Precision Fastener Housing 25</p>	<p><b>24 SV1491S</b></p>  <p>Precision Fastener Housing 50</p>	<p><b>40 SV7108V</b></p>  <p>Anchor 25 M 6</p>	<p><b>6 SM5800V</b></p>  <p>Anchor 25, M 24 x 1</p>	<p><b>10 SM5803V</b></p>  <p>Anchor 25, M 24 x 1 to M 6</p>
<p><b>4 SM5812N</b></p>  <p>Extension, 100 mm</p>	<p><b>2 SM5817N</b></p>  <p>Extension Vario 35 / 50</p>	<p><b>2 SM5818N</b></p>  <p>Extension Vario 50 / 75</p>	<p><b>2 SM5815N</b></p>  <p>Extension Vario 80 / 120</p>	<p><b>4 SM5820N</b></p>  <p>Magnetic Holder, adhesive force: 36 N</p>
<p><b>4 SM5830N</b></p>  <p>Prism Adapter 90°</p>	<p><b>2 SM5833N</b></p>  <p>Wedge Adapter 60°</p>	<p><b>6 SM5846N</b></p>  <p>Ball Joint</p>	<p><b>4 SM5842N</b></p>  <p>Center, L = 50</p>	<p><b>2 SM5844N</b></p>  <p>Center, L = 75</p>
<p><b>4 SM5840N</b></p>  <p>Center, short</p>	<p><b>6 SM5850N</b></p>  <p>Ball Joint Adapter</p>	<p><b>8 SM5816N</b></p>  <p>Ring Thread, M 24 x 1</p>	<p><b>4 SM5852N</b></p>  <p>Center Vario, M 24 x 1</p>	<p><b>4 SM5518S</b></p>  <p>Base Plate M 8, 50 x 50</p>
<p><b>4 SM5529S</b></p>  <p>3D Swivel Arm 110 / 100</p>	<p><b>6 SM5521S</b></p>  <p>C-Clamp M 6, 25 mm</p>	<p><b>6 SM5890N</b></p>  <p>Hold Down Pin Fixture</p>	<p><b>6 SM5892N</b></p>  <p>Hold Down Pin Fixture</p>	<p><b>4 SM5518N</b></p>  <p>Hold Down Pin, 150 mm</p>
<p><b>6 SM5896N</b></p>  <p>Hold Down Pin Spring, 60 mm</p>	<p><b>4 SM5897N</b></p>  <p>Hold Down Pin Spring, 105 mm</p>	<p><b>4 SM5898N</b></p>  <p>Hold Down Pin Spring, for low clamping, 60 mm</p>	<p><b>2</b></p>  <p>Hexagon Key Set</p>	<p><b>2 SM5880N</b></p>  <p>Wrench, with arm</p>

Building Set 50



Matrix	natural	black	Description
25	SM0104N	SM0104S	Building Set 50

A tool trolley is included.





Both the size of the drawers as well as the type of the foam inserts can be configured to customer specifications.

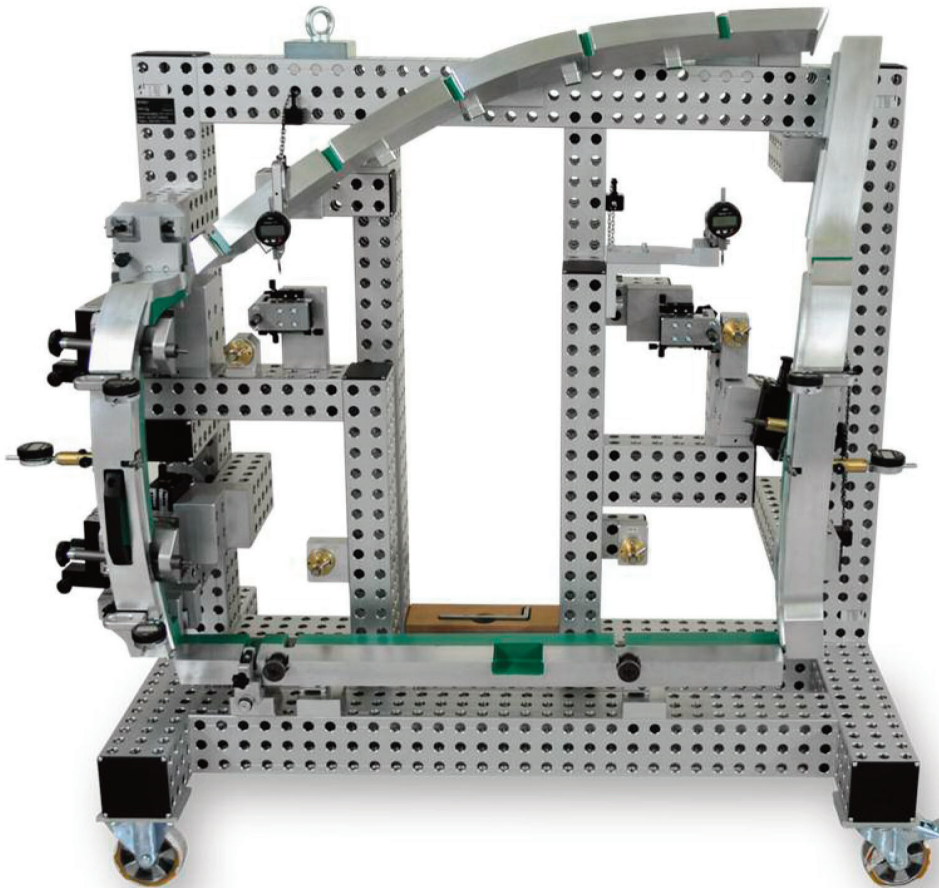
Matrix	natural	Description
25	SM0110S	Trolley with Matrix Plate 1400 x 1200



Front



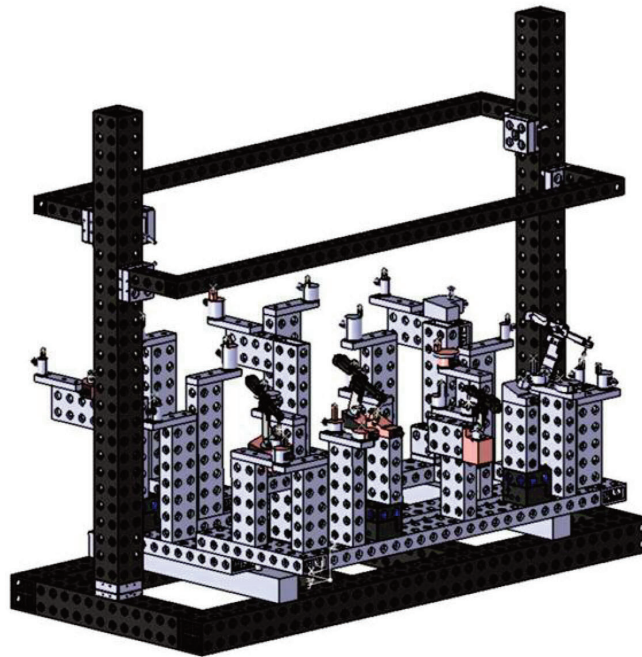
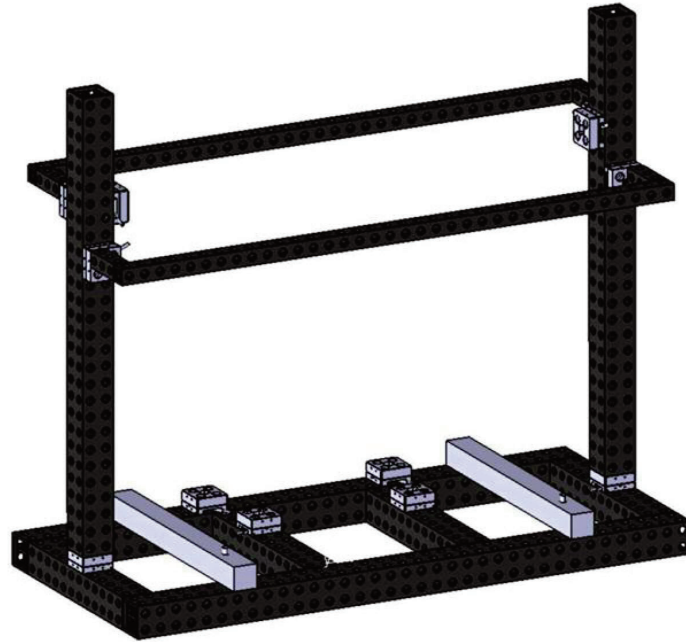
Rear



Measure fixture

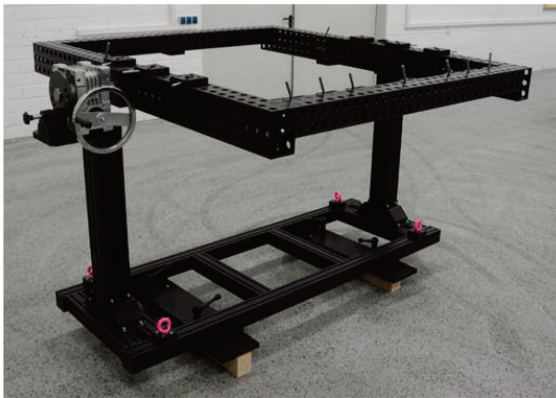
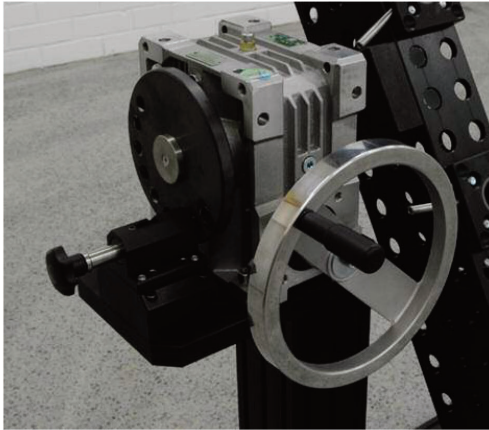


Gauge



Base frame + fixture for Scanbox

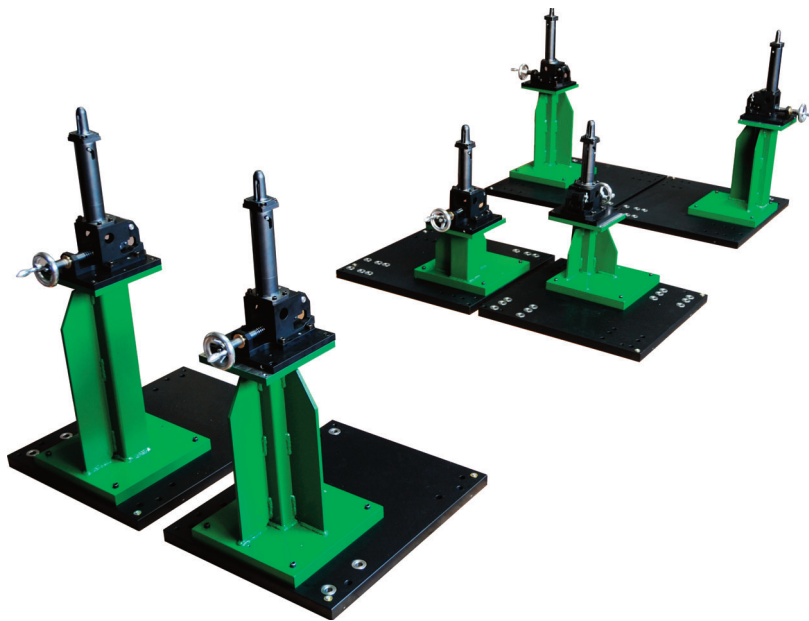
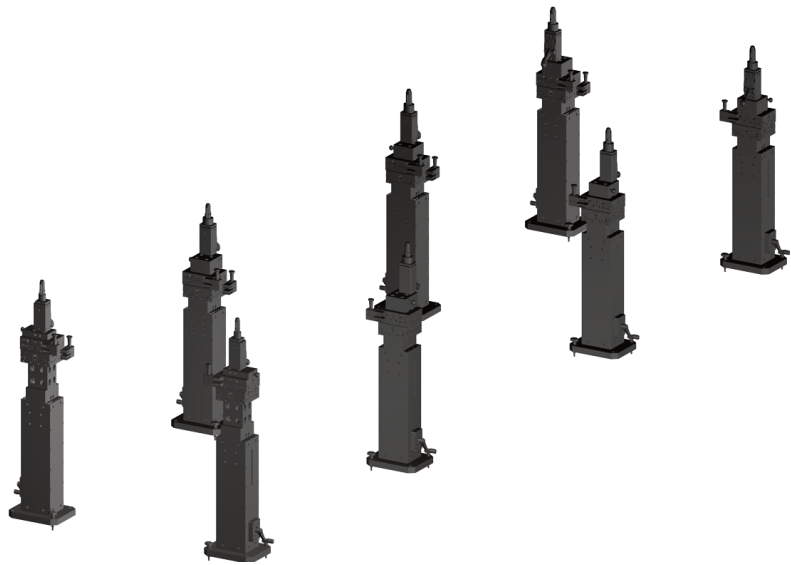


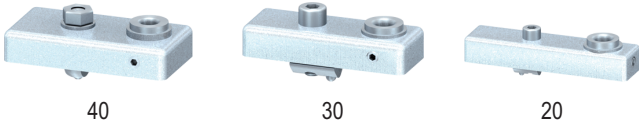


Base frame for a Scanbox

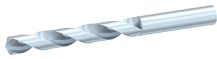


Scan measure fixture

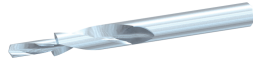




Drill Jigs



Spiral Drills



Short Step Drills

Drills



Hexagon Keys, with or without ball head



Hexagon Keys, with t-handle

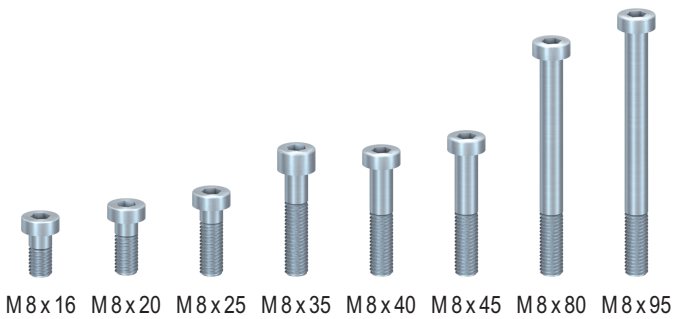


Screwdriver, with ball head

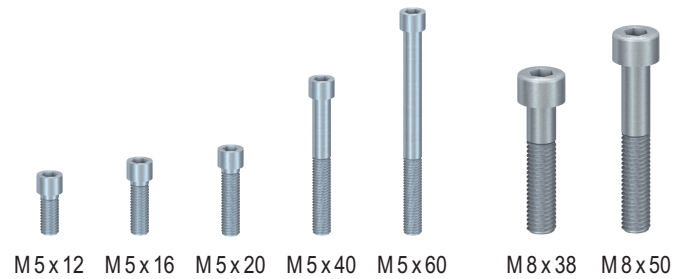


Ratchet Wrench

Hexagon Keys

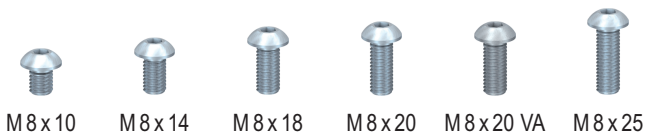


Cap Head Screws, M5 – M8



Special Cap Head Screws, head Ø7

corrosion-resistant



M8 x 10

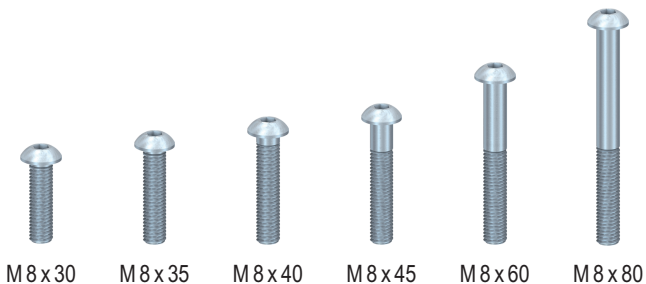
M8 x 14

M8 x 18

M8 x 20

M8 x 20 VA

M8 x 25



M8 x 30

M8 x 35

M8 x 40

M8 x 45

M8 x 60

M8 x 80

Button Head Screws, M5 – M8



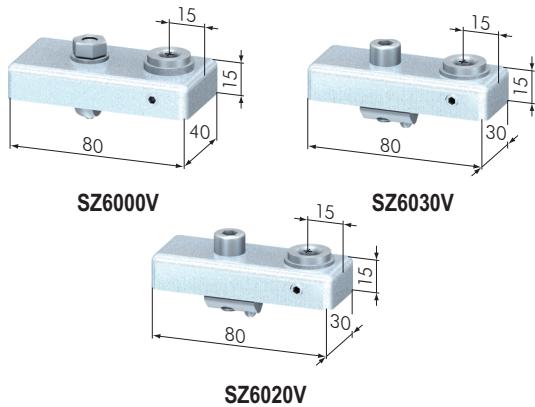
Sanding Block



Cutting Fluid



Shaft Oil

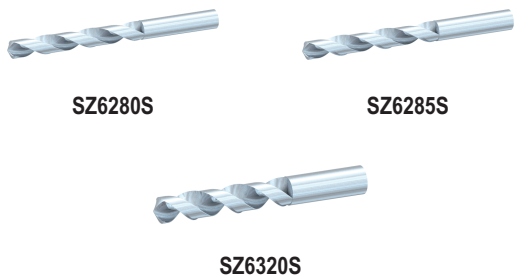


40  
30  
20

Drill Jigs		
Part No	Description	Weight
SZ6000V	Drill Jig 40	382 g
SZ6030V	Drill Jig 30 midi	264 g
SZ6020V	Drill Jig 20 mini	153 g

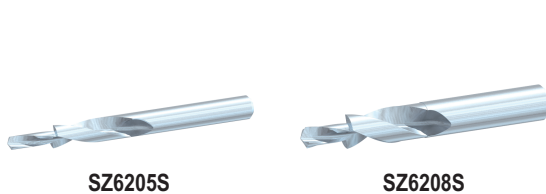
**Application:** Used for positioning the hole for the central fastener housing.

**Material:** steel, zinc-plated  
drill bush hardened and ground



Spiral Drills		
Part No	Description	Weight
SZ6280S	Spiral Drill Ø 8	
SZ6285S	Spiral Drill Ø 8,5	
SZ6320S	Spiral Drill Ø 12	

**Application:** For drilling profiles.



40

Short Step Drills		
Part No	Description	Weight
SZ6205S	Short Step Drill 180° M 5 (Ø 5,7 / 10 mm)	
SZ6206S	Short Step Drill 180° M 6 (Ø 6,8 / 11 mm)	
SZ6208S	Short Step Drill 180° M 8 (Ø 8,4 / 15 mm)	

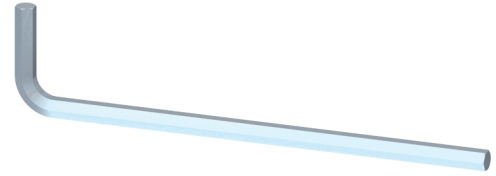
**Application:** Used for drilling holes for cap head screws DIN 974.



Aluminum Cutting Fluid		
Part No	Description	Quantity
SZ6002V	Aluminum Cutting Fluid	400 ml

**Application:** Applied when drilling or tapping holes in profiles.

Hexagon Keys		
Part No	Description	Length
SZ6100V	Hexagon Key SW 3	20 x 126 mm
SZ6102V	Hexagon Key SW 4	25 x 142 mm
SZ6103V	Hexagon Key SW 5	28 x 160 mm
SZ6104V	Hexagon Key SW 6	32 x 180 mm
SZ6106V	Hexagon Key SW 8	36 x 200 mm

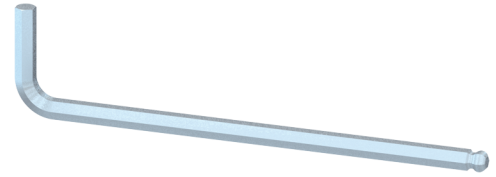


SZ6106V

**Application:** Metric hexagon keys to fasten all hexagon screws.

**Material:** chrome-vanadium-steel, nickel-plated surface

Hexagon Keys, with ball head		
Part No	Description	Length
SZ6121V	Hexagon Key SW 3, with ball head	22 x 120 mm
SZ6122V	Hexagon Key SW 4, with ball head	24 x 135 mm
SZ6123V	Hexagon Key SW 5, with ball head	28 x 150 mm
SZ6124V	Hexagon Key SW 6, with ball head	32 x 170 mm
SZ6126V	Hexagon Key SW 8, with ball head	36 x 195 mm



SZ6126V

**Application:** Metric hexagon keys to fasten all hexagon screws. Long end ball head can be positioned at an angle of up to 30°.

**Material:** chrome-vanadium-steel, nickel-plated surface

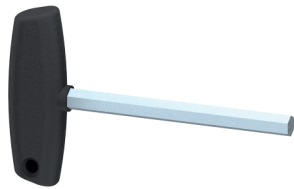
Screwdrivers, with ball head		
Part No	Description	Blade
SZ6131V	Screwdriver SW 3, with ball head	100 mm
SZ6132V	Screwdriver SW 4, with ball head	100 mm
SZ6133V	Screwdriver SW 5, with ball head	100 mm
SZ6134V	Screwdriver SW 6, with ball head	125 mm
SZ6136V	Screwdriver SW 8, with ball head	150 mm



SZ6136V

**Application:** Metric hexagon keys to fasten all hexagon screws. Long end ball head can be positioned at an angle of up to 30°.

**Material:** Handle manufactured of solid plastic. Key made of chrome-vanadium-steel with ball head; nickel-plated surface.

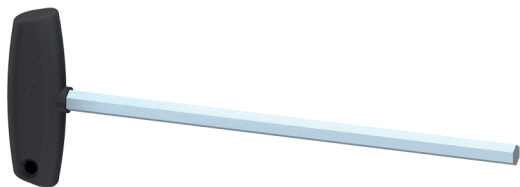


SZ6146V

Hexagon Key, with t-handle		
Part No	Description	Blade
SZ6142V	Hexagon Key SW 4, with t-handle	100 mm
SZ6143V	Hexagon Key SW 5, with t-handle	100 mm
SZ6144V	Hexagon Key SW 6, with t-handle	100 mm
SZ6146V	Hexagon Key SW 8, with t-handle	100 mm

**Application:** Metric hexagon keys to fasten all hexagon screws.

**Material:** chrome-vanadium-steel, nickel-plated surface

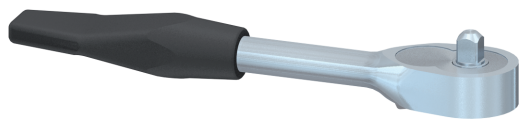


SZ6156V

Hexagon Key, with t-handle		
Part No	Description	Blade
SZ6151V	Hexagon Key SW 3, with t-handle, long	200 mm
SZ6152V	Hexagon Key SW 4, with t-handle, long	200 mm
SZ6153V	Hexagon Key SW 5, with t-handle, long	200 mm
SZ6154V	Hexagon Key SW 6, with t-handle, long	200 mm
SZ6156V	Hexagon Key SW 8, with t-handle, long	200 mm

**Application:** Metric hexagon keys to fasten all hexagon screws.

**Material:** chrome-vanadium-steel, nickel-plated surface



SZ6190V

Ratchet Wrench 1/4", Hexagon Bits		
Part No	Description	Weight
SZ6190V	Ratchet Wrench 1/4"	120 g
SZ6193K	Hexagon Bit SW 3, short	
SZ6194K	Hexagon Bit SW 4, short	
SZ6195K	Hexagon Bit SW 5, short	
SZ6196K	Hexagon Bit SW 6, short	
SZ6198K	Hexagon Bit SW 8, short	

**Application:** Solid and durable ratchet handle with lever switch. Fulfills high torque requirement. 45 teeth, one-finger-switch, extra four-side 1/4" hex drive adapter with bit ejector.



SZ6193K



SZ6194K



SZ6195K



SZ6196K



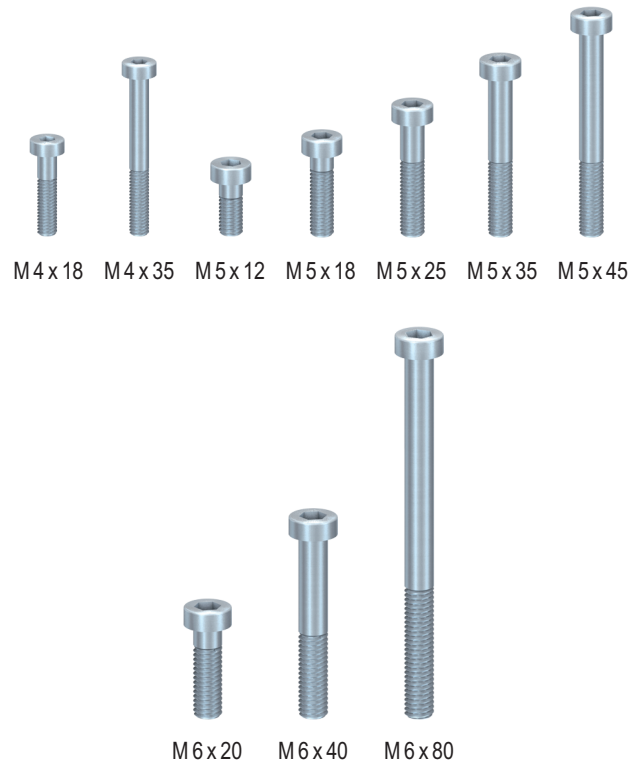
SZ6198K

**Cap Head Screws, DIN 6912**

Part No	Description	Weight
SS2218V	Cap Head Screw M 4 x 18	2 g
SS2235V	Cap Head Screw M 4 x 35	4 g
SS2312V	Cap Head Screw M 5 x 12	3 g
SS2318V	Cap Head Screw M 5 x 18	3 g
SS2325V	Cap Head Screw M 5 x 25	4 g
SS2335V	Cap Head Screw M 5 x 35	6 g
SS2345V	Cap Head Screw M 5 x 45	7 g
SS2420V	Cap Head Screw M 6 x 20	5 g
SS2440V	Cap Head Screw M 6 x 40	9 g
SS2480V	Cap Head Screw M 6 x 80	17 g
SS2516V	Cap Head Screw M 8 x 16	9 g
SS2520V	Cap Head Screw M 8 x 20	10 g
SS2525V	Cap Head Screw M 8 x 25	12 g
SS2535V	Cap Head Screw M 8 x 35	13 g
SS2538V	Cap Head Screw M 8 x 38	17 g
SS2540V	Cap Head Screw M 8 x 40	17 g
SS2545V	Cap Head Screw M 8 x 45	19 g
SS2580V	Cap Head Screw M 8 x 80	32 g
SS2595V	Cap Head Screw M 8 x 95	37 g

**Application:** For screw connections.

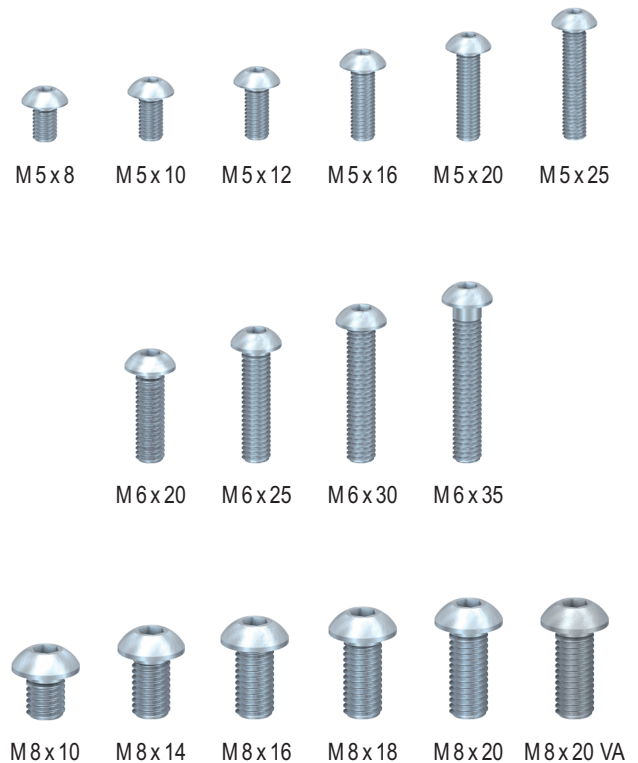
**Material:** DIN 6912; steel, zinc-plated; strength class 8.8;  
hexagon socket

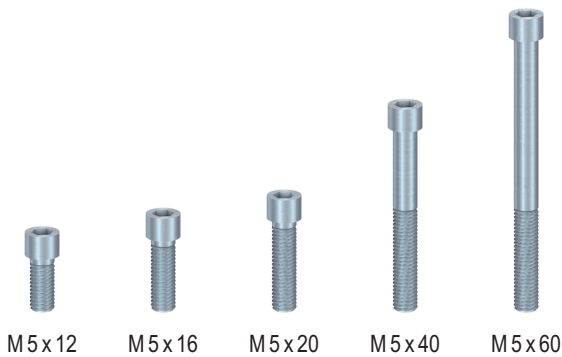

**Button Head Screws, ISO 7380**

Part No	Description	Weight
SS0308V	Button Head Screw M 5 x 8	2 g
SS0310V	Button Head Screw M 5 x 10	2 g
SS0312V	Button Head Screw M 5 x 12	2 g
SS0316V	Button Head Screw M 5 x 16	3 g
SS0320V	Button Head Screw M 5 x 20	3 g
SS0325V	Button Head Screw M 5 x 25	4 g
SS0420V	Button Head Screw M 6 x 20	4 g
SS0425V	Button Head Screw M 6 x 25	5 g
SS0430V	Button Head Screw M 6 x 30	6 g
SS0435V	Button Head Screw M 6 x 35	7 g
SS0610V	Button Head Screw M 8 x 10	5 g
SS0614V	Button Head Screw M 8 x 14	7 g
SS0616V	Button Head Screw M 8 x 16	7 g
SS0618V	Button Head Screw M 8 x 18	8 g
SS0620R	Button Head Screw M 8 x 20 VA	9 g
SS0620V	Button Head Screw M 8 x 20	9 g
SS0625V	Button Head Screw M 8 x 25	10 g
SS0630V	Button Head Screw M 8 x 30	12 g
SS0635V	Button Head Screw M 8 x 35	13 g
SS0640V	Button Head Screw M 8 x 40	15 g
SS0645V	Button Head Screw M 8 x 45	17 g
SS0660V	Button Head Screw M 8 x 60	22 g
SS0680V	Button Head Screw M 8 x 80	28 g

**Application:** For screw connections.

**Material:** ISO 7380; steel, zinc-plated; strength class 10.9;  
hexagon socket



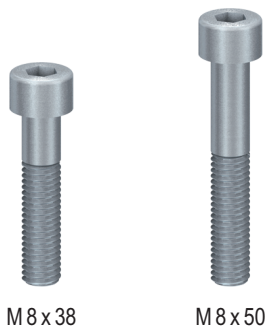


M5 x 12    M5 x 16    M5 x 20    M5 x 40    M5 x 60

Special Cap Head Screws		
Part No	Description	Weight
SS9012V	Cap Head Screw, head Ø 7, M5 x 12	2 g
SS9016V	Cap Head Screw, head Ø 7, M5 x 16	3 g
SS9020V	Cap Head Screw, head Ø 7, M5 x 20	4 g
SS9040V	Cap Head Screw, head Ø 7, M5 x 40	6 g
SS9060V	Cap Head Screw, head Ø 7, M5 x 60	9 g

**Application:** For screw connections, where holes need to be drilled only on the outside of the profile e.g. for plates in pneumatic applications.

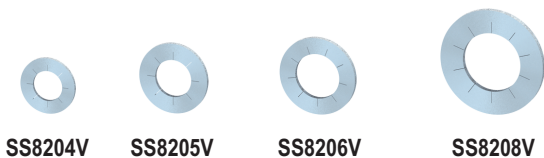
**Material:** steel, zinc-plated; hexagon socket



M8 x 38    M8 x 50

Cap Head Screws, DIN 912		
Part No	Description	Weight
SS2538D	Cap Head Screw M 8 x 38, corrosion-resistant	17 g
SS2550D	Cap Head Screw M 8 x 50, corrosion-resistant	23 g

**Application:** Socket head screws with special coating to prevent corrosion between the screw and aluminium.



SS8204V    SS8205V    SS8206V    SS8208V

Security Washers		
Part No	Description	Weight
SS8204V	Security Washer Ø 4 mm	
SS8205V	Security Washer Ø 5 mm	
SS8206V	Security Washer Ø 6 mm	
SS8208V	Security Washer Ø 8 mm	

**Application:** Security Washer.

**Material:** steel, zinc-plated



SZ6001V

SZ6003V

Sanding Block		
Part No	Description	Weight
SZ6001V	Sanding Block	

**Application:** The eraser is used to clean the surfaces of aluminum profiles that have marks and small scratches.

Shaft Oil		
Part No	Description	Quantity
SZ6003V	Shaft Oil	400 ml

**Application:** To oil the felt inserts in wiper and lubrication systems. Can also be applied directly to steel surfaces for lubrication and protection.



<b>0-9</b>				Adjustable Foot Ø 79 M 16 PS / L 160	SF0464S	E-13
2D Adjustment Unit 50 x 50, black	SM11002S	N-37	Adjustable Foot Ø 79 M 16 PSB / L 70	SF0529S	E-13	
3D Adjustment Block 50 x 50 x 100, black	SM1101S	N-37	Adjustable Foot Ø 79 M 16 PSB / L 160	SF0729S	E-13	
3D Adjustment Block 50 x 50 x 50, with system holes, black	SM1102S	N-37	Adjustable Foot Ø 79 M 16 PSDB / L 71	SF0535S	E-14	
3D Adjustment Block 50 x 50 x 75, black	SM1100S	N-37	Adjustable Foot Ø 79 M 16 PSDB / L 161	SF0735S	E-14	
3D Adjustment Block 80 x 80 x 120, black	SM1105S	N-37	Adjustable Foot Ø 79 M 16 SV / L 160	SF0480V	E-13	
3D Adjustment Block 80 x 80 x 160, black	SM1106S	N-37	Adjustable Foot Ø 79 M 16 SVB / L 160	SF0727V	E-13	
3D Adjustment Block 80 x 80 x 80, with system holes, black	SM1109S	N-37	Adjustable Foot Ø 79 M 16 SVB / L 70	SF0527V	E-13	
3D Adjustment Unit 50 x 50, with slide mechanism, black	SM1000S	N-38	Adjustable Foot Ø 79 M 16 SVD / L 161	SF0481V	E-14	
3D Adjustment Unit 80 x 80, with slide mechanism, black	SM1004S	N-38	Adjustable Foot Ø 79 M 20 SVD / L 236	SF0483V	E-14	
3D Adjustment Block 100 x 100 x 100, black	SM1026S	N-37	Adjustable Foot Ø 79 M 16 SVDB / L 71	SF0533V	E-14	
3D Swivel Arm, 110 / 100, with joint, black	SM5529S	N-67	Adjustable Foot Ø 79 M 16 SVDB / L 161	SF0733V	E-14	
<b>A</b>				Adjustable Foot Ø 79 M 16 VAB / L 160	SF0750V	E-13
Adapter Bushing Foot Plate, 16 H 7	SM3800V	N-55	Adjustable Foot Ø 79 M 20 VAB / L 160	SF0750V	E-13	
Adapter Bushing Foot Plate, 20 H 7	SM3810V	N-55	Adjustable Foot Ø 79 M 20 SVD / L 236	SF0483V	E-14	
Adapter Foot Plate 25, 150 x 170 x 30, black	SM3600S	N-54	Adjustable Foot Ø 119 M 16 VAB / L 151	SF0770S	E-15	
Adapter Foot Plate 25, 150 x 170 x 30, natural	SM3600N	N-54	Adjustable Foot Ø 136 M 16 SVB / L 94	SF0818V	E-16	
Adapter Foot Plate 25, 250 x 270 x 30, black	SM3610S	N-54	Adjustable Foot Ø 136 M 16 SVB / L 165	SF0918V	E-16	
Adapter Foot Plate 25, 250 x 270 x 30, natural	SM3610N	N-54	Adjustable Foot Ø 136 M 16 SVDB / L 95	SF0822V	E-16	
Adapter Foot Plate 40, 275 x 200 x 30, black	SM3652S	N-54	Adjustable Foot Ø 136 M 16 SVDB / L 166	SF0922V	E-16	
Adapter Foot Plate 40, 275 x 200 x 30, natural	SM3652N	N-54	Adjustable Foot Ø 136 M 20 SVDB / L 95	SF0929V	E-16	
Adapter Foot Plate 40, 275 x 280 x 30, black	SM3653S	N-54	Adjustable Foot Ø 136 M 20 SVDB / L 166	SF0931V	E-16	
Adapter Foot Plate 40, 275 x 280 x 30, natural	SM3653N	N-54	Adjustable Foot Ø 136 M 16 SVDB / L 95 St	SF0950V	E-17	
Adapter Foot Plate 40, Matrix 100, natural	SM3650N	N-54	Adjustable Foot Ø 136 M 16 SVDB / L 166 St	SF0951V	E-17	
Adapter Foot Plate 40, Matrix 100, black	SM3650S	N-54	Adjustable Foot Ø 136 M 20 SVDB / L 95 St	SF0952V	E-17	
Adapter Foot Plate 25, 175 x 175 x 30, black	SM3660S	N-54	Adjustable Foot Ø 136 M 20 SVDB / L 166 St	SF0953V	E-17	
Adapter Foot Plate 25, 175 x 175 x 30, natural	SM3660N	N-54	Adjustable Foot Ø 136 M 20 SVDB / L 211 St	SF0923V	E-16	
Adapter Plate 40 x 80, black	SL0250S	G-22	Adjustable Hold Down Pin 40, black	SM5599S	N-62	
Adapter Plate 80 x 80, black	SL0255S	G-22	Adjustment Screw, with admittance thread	SM5106V	N-52	
Adapter Plate 80 x 120, black	SL0260S	G-22	Adjustment Screw, with ball R 18	SM5104V	N-52	
Adapter Plate U 80 x 90, black	SL0257S	G-22	Adjustment Screw, with ball R 8	SM5102V	N-52	
Adjustable Foot Ø 29 M 5 / L 38	SF0205S	E-12	Adjustment Screw, with magnet	SM5100V	N-52	
Adjustable Foot Ø 29 M 8 / L 41	SF0200S	E-12	Adjustment Screw AL, with receiver thread	SM5108V	N-58	
Adjustable Foot Ø 29 M 8 / L 65	SF0201S	E-12	Adjustment Screw AL, with magnet	SM5109V	N-58	
Adjustable Foot Ø 39 M 10 / L 65	SF0210S	E-12	Adjustment Screw AL, with plastic locating surface R 18	SM5113V	N-58	
Adjustable Foot Ø 39 M 8 / L 41	SF0204S	E-12	Adjustment Screw AL / R18	SM5114S	N-58	
Adjustable Foot Ø 39 M 8 / L 65	SF0202S	E-12	Adjustment Screw AL overlay D10 + 10	SM5115S	N-58	
Adjustable Foot Ø 54 M 10 / L 68	SF0310S	E-12	Adjustment Screw AL, with receiver thread	SM5108V	N-58	
Adjustable Foot Ø 54 M 8 / L 44	SF0304S	E-12	Adjustment tool for positioning Bolt 25	SM1267S	N-45	
Adjustable Foot Ø 54 M 8 / L 68	SF0302S	E-12	Adjustment tool for positioning Bolt 40	SM1277S	N-45	
Adjustable Foot Ø 79 M 8 PSB / L 70	SF0417S	E-13	Adjustment tool for positioning Bolt 50	SM1287S	N-45	
Adjustable Foot Ø 79 M 8 PSD / L 71	SF0443S	E-14	Air Bearing Plate 400 x 600 x 25, with system holes, natural	SM3100N	N-49	
Adjustable Foot Ø 79 M 8 PSDB / L 71	SF0423S	E-14	Aluminum Chequer Plate Duett 2.5 x 4.0 mm	SZ1664G	H-9	
Adjustable Foot Ø 79 M 8 SVB / L 70	SF0415V	E-13	Aluminum Cutting Fluid	SZ6002V	O-2	
Adjustable Foot Ø 79 M 8 SVDB / L 71	SF0421V	E-14	Aluminum Laminated Material 4 mm	SZ1650N	H-7	
Adjustable Foot Ø 79 M 8 SVDB / L 151	SF0770V	E-15	Aluminum Laminated Material 6 mm	SZ1651N	H-7	
Adjustable Foot Ø 79 M 10 PSB / L 70	SF0429S	E-13	Aluminum Sheet, 2 mm, natural or coated	SZ1660G	H-9	
Adjustable Foot Ø 79 M 10 PSD / L 71	SF0447S	E-14	Aluminum Sheet, 4 mm, natural or coated	SZ1662G	H-9	
Adjustable Foot Ø 79 M 10 PSDB / L 71	SF0435S	E-14	Anchor 25 M 24 x 1	SM5800V	N-55	
Adjustable Foot Ø 79 M 10 SVB / L 70	SF0427V	E-13	Anchor 25 M 24 x 1 for ashlar 1D / 2D	SM5805V	N-55	
Adjustable Foot Ø 79 M 10 SVDB / L 71	SF0433V	E-14	Anchor 25 M 24 x 1 to M 6	SM5803V	N-55	
Adjustable Foot Ø 79 M 12 ASB / L 70	SF0516S	E-13	Anchor 40 M 24 x 1	SM5802V	N-55	
Adjustable Foot Ø 79 M 12 ASB / L 150	SF0616S	E-13	Anchor 40 M 24 x 1 to M 10	SM5804V	N-55	
Adjustable Foot Ø 79 M 12 ASDB / L 151	SF0722S	E-14	Anchor 25 G M 6, long	SV7108V	N-30	
Adjustable Foot Ø 79 M 12 PS / L 70	SF0448S	E-13	Anchor 25 G M 6, mid	SV7111V	N-30	
Adjustable Foot Ø 79 M 12 PSB / L 70	SF0517S	E-13	Anchor 25 G M 6, short	SV7107V	N-30	
Adjustable Foot Ø 79 M 12 PSB / L 150	SF0617S	E-13	Anchor 30 G M 6, long	SV7208V	N-29	
Adjustable Foot Ø 79 M 12 PSD / L 71	SF0449S	E-14	Anchor 30 G M 6, mid	SV7211V	N-29	
Adjustable Foot Ø 79 M 12 PSDB / L 151	SF0723S	E-14	Anchor 30 G M 6, mid	SV7211V	N-29	
Adjustable Foot Ø 79 M 12 SV / L 150	SF0470V	E-13	Anchor 30 G M 6, short	SV7207V	N-29	
Adjustable Foot Ø 79 M 12 SVB / L 70	SF0515V	E-13	Anchor 40 G M 10, long	SV7015V	N-30	
Adjustable Foot Ø 79 M 12 SVB / L 150	SF0615V	E-13	Anchor 40 G M 10, mid	SV7017V	N-29	
Adjustable Foot Ø 79 M 12 SVDB / L 151	SF0721V	E-14	Anchor 40 G M 10, mid	SV7017V	N-30	
Adjustable Foot Ø 79 M 16 PS / L 70	SF0450S	E-13	Anchor 40 G M 10, short	SV7014V	N-30	
			Anchor 50 G M 12, long	SV7308V	N-30	



Blend Profile 40 / 6 180°, natural	SP0511N	C-14	Button Head Screw M5 x 10	SS0310V	O-5
Blend Profile 40 / 6 180°, natural	SP0511N	H-5	Button Head Screw M5 x 12	SS0312V	O-5
Blend Profile 40 / 6 90°, natural	SP0521N	C-14	Button Head Screw M5 x 16	SS0316V	O-5
Blend Profile 40 / 6 90°, natural	SP0521N	H-5	Button Head Screw M5 x 20	SS0320V	O-5
Blend Profile 42 / 2 90°, natural	SP0341N	C-15	Button Head Screw M5 x 25	SS0325V	O-5
Blend Profile 42 / 2 90°, natural	SP0341N	H-5	Button Head Screw M5 x 8	SS0308V	O-5
Blend Profile 44 / 2 180°, natural	SP0331N	C-15	Button Head Screw M6 x 20	SS0420V	O-5
Blend Profile 44 / 2 180°, natural	SP0331N	H-5	Button Head Screw M6 x 25	SS0425V	O-5
Blend Profile 80 / 2 180°, natural	SP0361N	C-15	Button Head Screw M6 x 30	SS0430V	O-5
Blend Profile 80 / 2 180°, natural	SP0361N	H-5	Button Head Screw M6 x 35	SS0435V	O-5
Blend Profile 84 / 2 180°, natural	SP0381N	C-15	Button Head Screw M8 x 10	SS0610V	O-5
Blend Profile 84 / 2 180°, natural	SP0381N	H-5	Button Head Screw M8 x 14	SS0614V	O-5
Bolt Connection Set 25 M6, short, black	SV4210S	N-27	Button Head Screw M8 x 16	SS0616V	O-5
Bolt Connection Set 25 M6, mid, black	SV4211S	N-27	Button Head Screw M8 x 18	SS0618V	O-5
Bolt Connection Set 25 M6, long, black	SV4212S	N-27	Button Head Screw M8 x 20	SS0620V	O-5
Bolt Connection Set 30 M8, short, black	SV4310S	N-26	Button Head Screw M8 x 20 VA	SS0620R	O-5
Bolt Connection Set 30 M8, mid, black	SV4311S	N-26	Button Head Screw M8 x 25	SS0625V	O-5
Bolt Connection Set 30 M8, long, black	SV4312S	N-26	Button Head Screw M8 x 30	SS0630V	O-5
Bolt Connection Set 40 M10, short, black	SV4010S	N-27	Button Head Screw M8 x 35	SS0635V	O-5
Bolt Connection Set 40 M10, mid, black	SV4012S	N-27	Button Head Screw M8 x 40	SS0640V	O-5
Bolt Connection Set 40 M10, long, black	SV4014S	N-27	Button Head Screw M8 x 45	SS0645V	O-5
Bolt Connection Set 50 M12, short, black	SV4410S	N-27	Button Head Screw M8 x 60	SS0660V	O-5
Bolt Connection Set 50 M12, mid, black	SV4411S	N-27	Button Head Screw M8 x 80	SS0680V	O-5
Bolt Connection Set 50 M12, long, black	SV4412S	N-27			
Bolt G-type	SZ8005N	D-16			
Bolt Unit, heavy, bayonet	SM6150S	N-41			
Bracket, for slide shaft tension jack, black	SM5575S	N-49			
Bracket, for slide shaft tension jack, natural	SM5575N	N-49			
Bracket M 24 x 1, black	SM5576S	N-49			
Bracket M 24 x 1, natural	SM5576N	N-49			
Bridge for toggle clamp H35 L100	SM5440S	N-61			
Bridge for toggle clamp H35 L120	SM5441S	N-61			
Bridge for toggle clamp H35 L140	SM5442S	N-61			
Bridge for toggle clamp H35 L160	SM5443S	N-61			
Bridge for toggle clamp H50 L100	SM5450S	N-61			
Bridge for toggle clamp H50 L120	SM5451S	N-61			
Bridge for toggle clamp H50 L140	SM5452S	N-61			
Bridge for toggle clamp H50 L160	SM5453S	N-61			
Bridge for toggle clamp H73 L100	SM5470S	N-61			
Bridge for toggle clamp H73 L120	SM5471S	N-61			
Bridge for toggle clamp H73 L140	SM5472S	N-61			
Bridge for toggle clamp with heel H50 L100	SM5490S	N-61			
Bridge for toggle clamp with heel H50 L120	SM5491S	N-61			
Bridge for toggle clamp with heel H50 L140	SM5492S	N-61			
Bridge for toggle clamp with heel H50 L160	SM5493S	N-61			
Brush Cavity Extension Profile, natural	SX8411N	C-48			
Brush Cavity Profile, natural	SX8401N	C-48			
Building Set 10, natural	SM0100N	N-68			
Building Set 10, black	SM0100S	N-68			
Building Set 20, natural	SM0101N	N-72			
Building Set 20, black	SM0101S	N-72			
Building Set 30, natural	SM0102N	N-76			
Building Set 30, black	SM0102S	N-76			
Building Set 40, natural	SM0103N	N-80			
Building Set 40, black	SM0103S	N-80			
Building Set 50, natural	SM0104N	N-84			
Building Set 50, black	SM0104S	N-84			
Bushing Insert Ø 25 to Ø 12.5	SV1455V	N-26			
Bushing Insert Ø 25 to Ø 12.5, black	SV1455S	N-26			
Bushing Insert 25, black	SV1451S	N-26			
Bushing Insert 25, natural	SV1451N	N-26			
Bushing Insert 30, natural	SV1452N	N-26			
Bushing Insert 40, black	SV1450S	N-26			
Bushing Insert 40, natural	SV1450N	N-26			
Bushing Insert 50, natural	SV1453N	N-26			
			<b>C</b>		
			Cabinet Profile 30 x 52 open, natural	SP1801N	C-25
			Cabinet Profile 30 x 52, natural	SP1811N	C-25
			Cabinet Profile 30 x 74, natural	SP1821N	C-25
			Cable Entrance Profile, natural	SX4001N	C-42
			Cable Joint 80, black	SA5200S	L-3
			Cable Joint 80, natural	SA5200N	L-3
			Cap Automatic Connector 40	SZ0085S	E-11
			Cap Head Screw M 10 x 55, with washer	SS1055V	N-27
			Cap Head Screw M 12 x 70	SS2770V	N-27
			Cap Head Screw M 4 x 18	SS2218V	O-5
			Cap Head Screw M 4 x 35	SS2235V	O-5
			Cap Head Screw M 5 x 12	SS2312V	O-5
			Cap Head Screw M 5 x 18	SS2318V	O-5
			Cap Head Screw M 5 x 25	SS2325V	O-5
			Cap Head Screw M 5 x 35	SS2335V	O-5
			Cap Head Screw M 5 x 45	SS2345V	O-5
			Cap Head Screw M 6 x 20	SS2420V	O-5
			Cap Head Screw M 6 x 35, with washer	SS2435V	N-27
			Cap Head Screw M 6 x 40	SS2440V	O-5
			Cap Head Screw M 6 x 80	SS2480V	O-5
			Cap Head Screw M 8 x 16	SS2516V	O-5
			Cap Head Screw M 8 x 20	SS2520V	O-5
			Cap Head Screw M 8 x 25	SS2525V	O-5
			Cap Head Screw M 8 x 35	SS2535V	O-5
			Cap Head Screw M 8 x 38	SS2538V	O-5
			Cap Head Screw M 8 x 38, corrosion-resistant	SS2538V	O-6
			Cap Head Screw M 8 x 40	SS2540V	O-5
			Cap Head Screw M 8 x 45	SS2545V	O-5
			Cap Head Screw M 8 x 50, corrosion-resistant	SS2550V	O-6
			Cap Head Screw M 8 x 80	SS2580V	O-5
			Cap Head Screw M 8 x 90	SS2595V	O-5
			Cap Head Screw, head Ø 7, M 5 x 12	SS9012V	O-6
			Cap Head Screw, head Ø 7, M 5 x 16	SS9016V	O-6
			Cap Head Screw, head Ø 7, M 5 x 20	SS9020V	O-6
			Cap Head Screw, head Ø 7, M 5 x 40	SS9040V	O-6
			Cap Head Screw, head Ø 7, M 5 x 60	SS9060V	O-6
			Carriage 120, plastic rollers	SL8345N	G-35
			Carriage 120, steel rollers	SL8340N	G-35
			Carriage 16 / 160 / 60 / 2 / S	SL0071N	G-14
			Carriage 16 / 160 / 140 / 4 / S	SL0073N	G-14



Carriage 16/160/280/4/S	SL0075N	G-14	Center, L=70mm, black	SM5847S	N-66
Carriage 16/200/60/2 superlight	SL0090N	G-16	Center, with ball, natural	SM5847N	N-66
Carriage 16/200/60/2/S	SL0081N	G-15	Central Fastener 20 EL	SV1501V	D-16
Carriage 16/200/140/4 superlight	SL0092N	G-16	Central Fastener 20 EQ	SV1500V	D-16
Carriage 16/200/140/4/S	SL0083N	G-15	Central Fastener 20 G	SV1073V	D-16
Carriage 16/200/200/4 superlight	SL0094N	G-16	Central Fastener 30 90°	SV1602V	D-13
Carriage 16/200/200/4/S	SL0087N	G-15	Central Fastener 30 EL	SV1601V	D-12
Carriage 16/200/280/4 superlight	SL0096N	G-16	Central Fastener 30 EQ	SV1600V	D-12
Carriage 16/200/280/4/S	SL0085N	G-15	Central Fastener 30 G	SV1072V	D-13
Carriage 25/280/280/4/S	SL0050N	G-17	Central Fastener 30 S	SV1610V	D-12
Carriage 25/320/320/4/S	SL0051N	G-17	Central Fastener 30 SV	SV1620V	D-12
Carriage 25/360/360/4/S	SL0053N	G-17	Central Fastener 40 120°	SV1640V	D-8
Carriage 80/90 160/8	SL8310N	G-33	Central Fastener 40 135°	SV1645V	D-8
Carriage 80/90 200/10	SL8320N	G-33	Central Fastener 40 90°	SV1650V	D-8
Carriage 80/90 280/10	SL8330N	G-33	Central Fastener 40 EL	SV1011V	D-6
Carriage Joining Plate 160 x 200	SL0510N	G-25	Central Fastener 40 EL VA	SV1351V	D-6
Carriage Joining Plate 200 x 200	SL0512N	G-25	Central Fastener 40 EQ	SV1021V	D-6
Carriage Joining Plate 240 x 200	SL0514N	G-25	Central Fastener 40 EQ VA	SV1352V	D-6
Carriage Joining Plate 280 x 200	SL0516N	G-25	Central Fastener 40 EVLS	SV1251V	D-9
Carriage Joining Plate 356 x 200	SL0502N	G-25	Central Fastener 40 EVQS	SV1261V	D-9
Carriage Profile 80 x 100, natural	SP9051N	C-31	Central Fastener 40 G	SV1071V	D-7
Carriage Profile 80/90, natural	SP1451N	C-31	Central Fastener 40 GC	SV1301V	D-9
Carriage Profile 120 x 120, natural	SP9551N	C-30	Central Fastener 40 GCV	SV1311V	D-9
Carriage Profile 120, natural	SP1461N	C-32	Central Fastener 40 NQ	SV1041V	D-7
Carriage Profile 160 x 78, natural	SP9101N	C-27	Central Fastener 40 S	SV1001V	D-6
Carriage Profile 200 x 78, natural	SP9201N	C-27	Central Fastener 40 S VA	SV1353V	D-6
Carriage Profile 200 x 78 superlight, natural	SP9251N	C-26	Central Fastener 40 SL	SV1213V	D-6
Castor Ø 125, fixable	SF2312V	E-22	Central Fastener 40 SPS	SV1231V	D-9
Castor Ø 125, rubber	SF2210V	E-22	Central Fastener 40 SV	SV1211V	D-6
Castor Ø 125, rubber	SF2310V	E-22	Central Fastener 40 SV ON	SV1212V	D-6
Castor Ø 50	SF2000S	E-22	Central Fastener 40 SV VA	SV1350V	D-6
Castor Ø 50, braked	SF2100S	E-22	Central Fastener 40 SVL	SV1221V	D-6
Castor Ø 75, fixable	SF2302V	E-22	Central Fastener 40 SVPS	SV1241V	D-9
Castor Ø 75, rubber	SF2200V	E-22	Central Fastener G 30 SS	SV1111V	D-7
Castor Ø 75, rubber	SF2300V	E-22	Central Fastener G 45 SS	SV1151V	D-7
Catch Plate, door latch	SZ0420V	E-56	Chain Guide Profile 41 x 80	SP0791N	C-20
C-Clamp M 6 25 mm, black	SM5521S	N-67	Change-Over Unit, top	SM6010N	N-34
C-Clamp M 6 50 mm, black	SM5522S	N-67	Change-Over Unit, bottom	SM6011N	N-34
Ceiling Angle Profile, natural	SX9501N	C-42	Change-Over Unit Screw	SM6012V	N-34
Ceiling Blend Profile, natural	SX9601N	C-42	Change-Over Unit 25, bottom	SM6020N	N-34
Cellulose 4 mm, light grey	SZ1677Z	H-8	Change-Over Unit 25, top	SM6021N	N-34
Cellulose 4 mm, white	SZ1678Z	H-8	Hinge for exchange unit 25	SM6022S	N-34
Cellulose 6 mm, light grey	SZ1667Z	H-8	Change-Over Unit 40, bottom	SM6030N	N-34
Cellulose 6 mm, white	SZ1668Z	H-8	Change-Over Unit 50, bottom	SM6040N	N-34
Cellulose 8 mm, light grey	SZ1657Z	H-8	Change-Over Unit 50, top	SM6041N	N-34
Cellulose 8 mm, white	SZ1656Z	H-8	Hinge for exchange unit 50	SM6042S	N-34
Cellulose 10 mm, blue	SZ1673Z	H-8	Hinge for exchange unit 40	SM6032S	N-34
Cellulose 10 mm, gelb	SZ1672Z	H-8	Change-Over Unit 40, top Raster 25	SM6033N	N-34
Cellulose 10 mm, grau	SZ1675Z	H-8	Change-Over Unit 40, bottom nut	SM6034N	N-34
Cellulose 10 mm, green	SZ1670Z	H-8	Change-Over Unit 40, top nut	SM6035N	N-34
Cellulose 10 mm, light grey	SZ1674Z	H-8	Change-Over Unit 40, top	SM6031N	N-34
Cellulose 10 mm, red	SZ1671Z	H-8	Change-Over Unit 50, top Matrix 25	SM6043N	N-34
Cellulose 10 mm, white	SZ1676Z	H-8	Change-Over Unit top for 25h6	SM1403S	N-33
Center Bushing 16 H7	SM3820V	N-55	Clamp Angle 28 x 22 x 40	SZ6550N	E-37
Center Bushing 20 H7	SM3830V	N-55	Clamp Angle 28 x 22 x 80	SZ6551N	E-37
Center Vario, black	SM5852S	N-66	Clamp Angle 28 x 22 x 120	SZ6552N	E-37
Center Vario, natural	SM5852N	N-66	Clamp Angle 28 x 22 x 160	SZ6553N	E-37
Center, L = 50 mm, black	SM5842S	N-66	Clamp Angle 28 x 22 x 200	SZ6554N	E-37
Center, L = 50 mm, natural	SM5842N	N-66	Clamp Holder, black	SM5860S	N-66
Center, L = 75 mm, black	SM5844S	N-66	Clamp Holder, natural	SM5860N	N-59
Center, L = 75 mm, natural	SM5844N	N-66	Clamp Plate Profile 160 AT 10, natural	SP0201N	C-35
Center, short, black	SM5840S	N-66	Clamp Plate Profile 35 AT 10, natural	SP0301N	C-35
Center, short, natural	SM5840N	N-66	Clamp Profile 18 x 32 midi, natural	SP7031N	C-19
Center, with ball, black	SM5845S	N-66	Clamp Profile 20 mini, complete	SP2031N	H-9
Center, L=70mm, natural	SM5845N	N-66	Clamp Profile 20 mini, natural	SP2011N	C-19



Clamp Profile 20 180° mini complete	SP2041N	H-9	Corner Bracket Zn 30 x 30	SZ0967N	E-35
Clamp Profile 20 180° mini, natural	SP2021N	C-19	Corner Bracket Zn 30 x 30, complete	SZ0966N	E-35
Clamp Profile 20 90° mini complete	SP2061N	H-9	Corner Bracket Zn 40 x 40	SZ0971N	E-35
Clamp Profile 20 90° mini, natural	SP2051N	C-19	Corner Bracket Zn 40 x 40, complete	SZ0970N	E-35
Clamp Profile 22 x 28, natural	SP6101N	C-26	Corner Bracket Zn 40 x 80	SZ0973N	E-35
Clamp Profile 30 (C 30 / 43), natural	SP1171N	C-30	Corner Bracket Zn 40 x 80, complete	SZ0972N	E-35
Clamp Profile 30 midi, complete	SP1571N	H-8	Corner Bracket Cap 40 x 40	SZ0070S	E-6
Clamp Profile 30 midi, natural	SP1551N	C-18	Corner Bracket Cap 80 x 80	SZ0071S	E-6
Clamp Profile 30 180° midi complete	SP1581N	H-8	Corner Fastener 40 x 40 45°	SZ0931S	E-35
Clamp Profile 30 180° midi, natural	SP1561N	C-19	Corner Fastener Set 40 x 40 45°	SZ0930S	E-35
Clamp Profile 30 90° midi complete	SP1641N	H-8	Corner Fastener Set 40 x 40 round	SZ0932S	E-35
Clamp Profile 30 90° midi, natural	SP1541N	C-18	Corner Fastener Set 40 x 40 edge	SZ0933S	E-35
Clamp Profile 40 180° complete	SP7411N	H-7	Corner Joining Profile, natural	SX9901N	C-43
Clamp Profile 40 180°, natural	SP7511N	C-18	Coupling Housing	SL8100N	G-13
Clamp Profile 40 90° complete	SP7421N	H-7	Coupling BK 2 / 80	SL8200N	G-13
Clamp Profile 40 90°, natural	SP7521N	C-18	Cover Profile 14, natural	SP7911N	C-20
Clamp Profile 40, complete	SP7401N	H-7	Cover Profile 16 x 2.2	SZ1912S	E-53
Clamp Profile 40, natural	SP7501N	C-18	Cover Profile 20 mini, black	SP7921S	C-33
Clamp Strip 30, natural	SP6051N	C-18	Cover Profile 20 mini, natural	SP7921N	C-33
Clamp Strip 40 180°, natural	SP6011N	C-18	Cover Profile 24 x 3	SZ1914S	E-53
Clamp Strip 40, natural	SP6001N	C-18	Cover Profile 30 midi, black	SP7931S	C-34
Clamp Unit 40, horizontal, with adjustment screw, L = 105	SM5000V	N-52	Cover Profile 30 midi, natural	SP7931N	C-34
Clamp Unit 40, horizontal, with adjustment screw, L = 194	SM5002V	N-52	Cover Profile 32 x 4	SZ1910S	E-53
Clamp Unit 40, horizontal, with ball point Ø 10, L = 105	SM5010V	N-52	Cover Profile 40, black	SP7901S	C-9
Clamp Unit 40, horizontal, with ball point Ø 10, L = 194	SM5012V	N-52	Cover Profile 40, natural	SP7901N	C-9
Clamp Unit 40, vertical, with adjustment screw, L = 105	SM5004V	N-52	Cover Profile Double Axis 80, natural	SP1471N	C-31
Clamp Unit 40, vertical, with adjustment screw, L = 194	SM5006V	N-52	Cover Profile Gearbox, natural	SP9961N	C-27
Clamp Unit 40, vertical, with ball point Ø 10, L = 105	SM5014V	N-52	Cover Profile Track Profile 60 x 80, natural	SP1481N	C-31
Clamp Unit 40, vertical, with ball point Ø 10, L = 194	SM5016V	N-52	Cover Profile Track Profile 100 x 120, natural	SP1431N	C-32
Clamping Foot 40 x 40	SZ8080N	E-19	Crane Plate 50 x 50 M 12	SZ0305V / S	N-31
Clamping Foot 60 x 80	SZ8081N	E-19	Crane Plate 75 x 75 M 12	SZ0306V / S	N-31
Clamping Foot 80 x 80	SZ8082N	E-19	Crane Plate 80 x 80 M 16	SZ0301V	N-31
Clamping Plate 40 x 80	SL0222S	G-27	Crane Plate 80 x 80 M 16, black	SZ0301S	N-31
Clamping Plate 80 x 80	SL0227S	G-27	Crane Plate 100 x 100 M 16	SZ0307V	N-31
Clamping Strap for magnetic fixture	SM5125S	N-58	Crane Plate 120 x 120 M 16	SZ0302V	N-31
Clamping strap fixture	SM5126S	N-58	Crane Plate 120 x 120 M 16, black	SZ0302S	N-31
Clamping spindle M8 L53	SM5436S	N-62	Crane Plate 150 x 150 M 16	SZ0308V	N-31
Clamping spindle M8 L38	SM5437S	N-62	Crane Plate 90x50x35 M 12 / km 6	SZ0370s	N-31
Connection Plate, for 3D adjustment unit: Ø 12.5 H7 adapter	SM1012N	N-37	Cross Linear Slide 50 x 50 x 50, with screw spindle, black	SM1219S	N-40
Connection Plate, for 3D adjustment unit: top end adapter	SM1011N	N-37	Cross Roller Slide 50 x 75 x 75, floating, incl. end stop, black	SM1213S	N-41
Connection Plate, for 3D adjustment unit: t-slot system to series 25	SM1013N	N-38	Cross Roller Slide 50 x 75 x 75, floating, incl. end stop, natural	SM1213N	N-41
Connection Plate, for 3D adjustment unit, black	SM1013S	N-38	Cross Roller Slide 50 x 75 x 75, with screw spindle, black	SM1212S	N-40
Connection Plate, for matrix plates 25, 35 x 70	SM3021S	N-49	Cross Roller Slide 50 x 75 x 75, with screw spindle, natural	SM1212N	N-40
Connection Plate, for matrix plates 25, 70 x 70	SM3020S	N-49	Cross Roller Slide 80 x 120 x 120, floating, incl. end stop, black	SM1223S	N-41
Contour Piece 50 x 50 x 65, for 3D adjustment block, black	SM1103S	N-37	Cross Roller Slide 80 x 120 x 120, floating, incl. end stop, natural	SM1223N	N-41
Contour Piece 50 x 50 x 90, for 3D adjustment block, black	SM1104S	N-37	Cross Roller Slide 80 x 120 x 120, with screw spindle, black	SM1222S	N-40
Contour Piece 80 x 80 x 104, for 3D adjustment block, black	SM1107S	N-37	Cross Roller Slide 80 x 120 x 120, with screw spindle, natural	SM1222N	N-40
Contour Piece 80 x 80 x 144, for 3D adjustment block, black	SM1108S	N-37	Cross Roller Slide 100 x 150 x 150, floating, incl. end stop, natural	SM1233N	N-41
Contour Piece, Ø 30, 134 mm, natural	SM2254N	N-38	Cross Roller Slide 100 x 150 x 150, with screw spindle, natural	SM1232N	N-40
Contour Piece, Ø 30, 134 mm, black	SM2254S	N-38	Cross Roller Slide 50 x 75 x 25, with screw spindle, black	SM1262S	N-43
Contour Piece, Ø 30, 44 mm, natural	SM2250N	N-38	Cross Roller Slide 80 x 120 x 50, with screw spindle, black	SM1272S	N-43
Contour Piece, Ø 30, 44 mm, black	SM2250S	N-38	Cross Roller Slide 100 x 150 x 50, with screw spindle, black	SM1282S	N-43
Contour Piece, Ø 30, 74 mm, natural	SM2252N	N-38	Cross Roller Slide 50 x 75 x 25, floating, black	SM1263S	N-44
Contour Piece, Ø 30, 74 mm, black	SM2252S	N-38	Cross Roller Slide 80 x 120 x 40, floating, black	SM1273S	N-44
Contour Piece, Ø 50, 134 mm, natural	SM2264N	N-38	Cross Roller Slide 100 x 150 x 50, floating, black	SM1283S	N-44
Contour Piece, Ø 50, 134 mm, black	SM2264S	N-38	Coupling Plate 80 x 80 x 20	SM2110N	N-39
Contour Piece, Ø 50, 44 mm, natural	SM2260N	N-38	Cylinder Door Lock	SZ0410S	E-55
Contour Piece, Ø 50, 44 mm, black	SM2260S	N-38	C-Track 30 x 43 / 140 / 8	SL4000N	F-42
Contour Piece, Ø 50, 74 mm, natural	SM2262N	N-38	C-Track 30 x 43 / 280 / 8	SL4005N	F-42
Contour Piece, Ø 50, 74 mm, black	SM2262S	N-38	C-Track 30 x 43 / xxx	SL4008N	F-42
Conveyor Bell Tensioner, natural	ST0500N	J-7	C-Track 30 x 43 / xxx / K	SL4006N	F-42
Conveyor Profile 120 x 40, natural	SP0801N	J-12	C-Track 40 x 100 / 140 / 3	SL4019N	F-44
Conveyor Roller	ST1000N	J-6	C-Track 40 x 100 / 140 / 3 / C 40 x 100	SL4020N	F-44
Corner Bracket Zn 20 x 20	SZ0965N	E-35	C-Track 40 x 100 / 280 / 4	SL4024N	F-44
Corner Bracket Zn 20 x 20, complete	SZ0964N	E-35	C-Track 40 x 100 / 280 / 4 / C 40 x 100	SL4025N	F-44

C-Track 40 x 100 / xxx	SL4026N	F-44
C-Track 40 x 100 / xxx / C 40 x 100	SL4027N	F-44
C-Track 40 x 57 / 140 / 8	SL4009N	F-43
C-Track 40 x 57 / 140 / 8 / C 40 x 57	SL4010N	F-43
C-Track 40 x 57 / 280 / 8	SL4014N	F-43
C-Track 40 x 57 / 280 / 8 / C 40 x 57	SL4015N	F-43
C-Track 40 x 57 / xxx	SL4016N	F-43
C-Track 40 x 57 / xxx / C 40 x 57	SL4017N	F-43
C-Track 80 x 100 / 140 / 6	SL4029N	F-45
C-Track 80 x 100 / 140 / 6 / C 80 x 100	SL4030N	F-45
C-Track 80 x 100 / 2 x xxx	SL4046N	F-46
C-Track 80 x 100 / 2 x 140 / 3	SL4040N	F-46
C-Track 80 x 100 / 2 x 280 / 4	SL4045N	F-46
C-Track 80 x 100 / 280 / 8	SL4034N	F-45
C-Track 80 x 100 / 280 / 8 / C 80 x 100	SL4035N	F-45
C-Track 80 x 100 / xxx	SL4036N	F-45
C-Track 80 x 100 / xxx / C 80 x 100	SL4037N	F-45
C-Track 80 x 100 / xxx / C-Omega Drive	SL4038N	F-47
C-Omega Drive AT 5 / 16	SL9820S	G-29

**D**

DEA FIVE Adapter, quick-release fastener	SM1400S	N-33
DEA FIVE Adapter, profile 50 x 50 admittance	SM1401S	N-33
Delta Block 25 x 25 x 31.25 120°, black	SM5200S	N-64
Delta Block 25 x 25 x 31.25 120°, natural	SM5200N	N-64
Delta Block 25 x 25 x 37.5 90°, black	SM5203S	N-64
Delta Block 25 x 25 x 37.5 90°, natural	SM5203N	N-64
Delta Block 25 x 25 x 56.25 120°, black	SM5201S	N-64
Delta Block 25 x 25 x 56.25 120°, natural	SM5201N	N-64
Delta Block 25 x 25 x 62.5 90°, black	SM5204S	N-64
Delta Block 25 x 25 x 62.5 90°, natural	SM5204N	N-64
Delta Block 25 x 50 x 100 90°, black	SM5208S	N-64
Delta Block 25 x 50 x 100 90°, natural	SM5208N	N-64
Delta Block 25 x 50 x 150 120°, black	SM5209S	N-64
Delta Block 25 x 50 x 150 120°, natural	SM5209N	N-64
Delta Block 25 x 50 x 56.25 120°, black	SM5202S	N-64
Delta Block 25 x 50 x 56.25 120°, natural	SM5202N	N-64
Delta Block 25 x 50 x 62.5 90°, black	SM5205S	N-64
Delta Block 25 x 50 x 62.5 90°, natural	SM5205N	N-64
Docking Unit / 1 operating element (HA)	SM6051S	N-35
Docking Unit / 2 connection round hole 25h7	SM6052S	N-35
Docking Unit / 3 operating element (NA)	SM6053S	N-35
Docking Unit / 4 connection round hole 25x26	SM6054S	N-35
Door Angle Profile, external, natural	SX6001N	C-43
Door Angle Profile, internal, natural	SX6101N	C-43
Door Blend Profile 40, natural	SX5001N	C-43
Door Blend Profile 82, natural	SX5101N	C-43
Door Element 60 x 80	SZ8110N	H-31
Door Element 60 x 80	SZ8112N	H-32
Door Element 60 x 80	SZ8113N	H-33
Door Element 80 x 80	SZ8111N	H-34
Door Kit 1000, natural	SZ8030N	H-18
Door Kit 750, natural	SZ8028N	H-18
Door Latch 40 x 40, left	SZ0423V	E-56
Door Latch 40 x 40, right	SZ0422V	E-56
Door Latch 40 x 80, left	SZ0425V	E-56
Door Latch 40 x 80, right	SZ0424V	E-56
Door Lock	SZ0411S	E-55
Door Profile 110 x 60, natural	SX6111N	C-43
Door Sealing 20, natural	SZ1905N	E-53
Door Stop	SZ8046S	E-54
Door Stop bottom (aluminum)	SZ8041N	E-54
Door Stop bottom (POM)	SZ8041S	E-54
Door Stop top round (eccentric)	SZ8042S	E-54
Double Anchor 25 G	SV7100V	N-29

Double Anchor 30 G	SV7200V	N-28
Double Anchor 40 G	SV7060V	N-29
Double Anchor 50 G	SV7300V	N-29
Double Anchor 25 G 90°	SV7101V	N-29
Double Anchor 25 G -90°	SV7102V	N-29
Double Anchor 30 G 90°	SV7201V	N-28
Double Anchor 30 G -90°	SV7202V	N-28
Double Anchor 40 G 90°	SV7065V	N-29
Double Anchor 40 G -90°	SV7070V	N-29
Double Anchor 50 G 90°	SV7301V	N-29
Double Anchor 50 G -90°	SV7302V	N-29
Double Anchor 25 GA, with positioning element	SV7151V	N-28
Double Anchor 40 GA, with positioning element	SV7051V	N-28
Double Anchor 50 GA, with positioning element	SV7351V	N-28
Double Anchor 25 GA 90°, with positioning element	SV7156V	N-28
Double Anchor 25 GA -90°, with positioning element	SV7158V	N-28
Double Anchor 40 GA 90°, with positioning element	SV7056V	N-28
Double Anchor 40 GA -90°, with positioning element	SV7058V	N-28
Double Anchor 50 GA 90°, with positioning element	SV7356V	N-28
Double Anchor 50 GA -90°, with positioning element	SV7358V	N-28
Double Carriage C 30 / 43 140 / 8, natural	SL9009N	G-30
Double Carriage C 30 / 43 280 / 8, natural	SL9010N	G-30
Double Carriage C 40 / 57 140 / 8, natural	SL9007N	G-30
Double Carriage C 40 / 57 280 / 8, natural	SL9008N	G-30
Double Carriage C 80 / 100 140 / 6, natural	SL9000N	G-31
Double Carriage C 80 / 100 280 / 8, natural	SL9001N	G-31
Double Carriage Profile C 30 / 43, natural	SP1161N	C-30
Double Carriage Profile C 40 / 57, natural	SP1141N	C-30
Double Carriage Profile C 80 / 100, natural	SP1101N	C-30
Double Castor Ø 75	SF2400V	E-22
Double Castor Ø 75, braked	SF2401V	E-22
Double Door Element 60 x 80	SZ8120N	H-29
Double Door Element 60 x 80	SZ8122N	H-30
Double Door Element 60 x 80	SZ8123N	H-31
Double Door Element 80 x 80	SZ8121N	H-32
Double Door Kit	SZ8026N	H-14
Double Fastener Set 25 G, short, black	SV4200S	N-29
Double Fastener Set 30 G, short, black	SV4300S	N-28
Double Fastener Set 40 G, short, black	SV4031S	N-29
Double Fastener Set 50 G, short, black	SV4400S	N-29
Double Fastener Set 25 G, mid, black	SV4201S	N-29
Double Fastener Set 30 G, mid, black	SV4301S	N-28
Double Fastener Set 40 G, mid, black	SV4033S	N-29
Double Fastener Set 50 G, mid, black	SV4401S	N-29
Double Fastener Set 25 G, long, black	SV4202S	N-29
Double Fastener Set 30 G, long, black	SV4302S	N-28
Double Fastener Set 40 G, long, black	SV4035S	N-29
Double Fastener Set 50 G, long, black	SV4402S	N-29
Double Fastener Set 25 GA, with positioning element, short, black	SV4252S	N-28
Double Fastener Set 40 GA, with positioning element, short, black	SV4052S	N-28
Double Fastener Set 50 GA, with positioning element, short, black	SV4452S	N-28
Double Fastener Set 25 GA, with positioning element, mid, black	SV4251S	N-28
Double Fastener Set 40 GA, with positioning element, mid, black	SV4051S	N-28
Double Fastener Set 50 GA, with positioning element, mid, black	SV4451S	N-28
Double Fastener Set 25 GA, with positioning element, long, black	SV4250S	N-28
Double Fastener Set 40 GA, with positioning element, long, black	SV4050S	N-28
Double Fastener Set 50 GA, with positioning element, long, black	SV4450S	N-28
Double Frame Element 60 x 80	SZ8125N	H-24
Double Hinge 20 PA	SZ0707S	E-45
Double Hinge 25 x 50 x 75, black	SM5520S	N-48
Double Hinge 25 x 50 x 125, black	SM5524S	N-48
Double Hinge 30 PA	SZ0777S	E-47
Double Hinge 32 PA	SZ0772S	E-46
Double Hinge 40 x 80 x 120, black	SM5519S	N-48
Double Sliding Door, for frame element 60 x 80	SZ8142N	H-35

Double Sliding Door, for frame element 80 x 80	SZ8143N	H-36	Extension 40, angulated top, 80 mm, black	SM5577S	N-60
Double T-Nut 20 M 6	SV2210V	D-5	Extension 40, angulated top, 120 mm, black	SM5578S	N-60
Double T-Nut 40 M 8	SV2202V	D-5	Extension 40, angulated top, 160 mm, black	SM5579S	N-60
Double Track Profile 80 x 80, natural	SP1411N	C-31	Extension 6 mm, black	SM5814S	N-65
Drill Jig 40	SZ6000V	O-2	Extension 6 mm, natural	SM5814N	N-65
Drill Jig 30 midi	SZ6030V	O-2	Extension 12 mm, black	SM5811S	N-65
Drill Jig 20 mini	SZ6020V	O-2	Extension 12 mm, natural	SM5811N	N-65
Drill Ø 12	SZ6320S	O-2	Extension 40 mm, black	SM5813S	N-65
Drill Ø 8	SZ6280S	O-2	Extension 40 mm, natural	SM5813N	N-65
Drill Ø 8.5	SZ6285S	O-2	Extension 50 mm, black	SM5810S	N-65
<b>E</b>			Extension 50 mm, natural	SM5810N	N-65
Earth Connection 40	SZ6800N	D-22	Extension 100 mm, black	SM5812S	N-65
Edge Stop Profile 40, natural	SP6121N	C-19	Extension 100 mm, natural	SM5812N	N-65
Edging And Cover Strip Profile 20, black	SZ1802S	E-52	Extension, M5 SB5 H12 L40	SM5410S	N-62
Edging And Cover Strip Profile 20, natural	SZ1802N	E-52	Extension, M5 SB5 H12 L60	SM5412S	N-62
Edging And Cover Strip Profile 40, black	SZ1800S	E-52	Extension, M5 SB5 H12 L80	SM5414S	N-62
Edging And Cover Strip Profile 40, natural	SZ1800N	E-52	Extension, M5 SB5 H12 L100	SM5416S	N-62
End Cap 16 x 40, grey	SZ0030S	E-9	Extension, M5 SB5 H12 L120	SM5418S	N-62
End Cap 40 x 40, grey	SZ00S	E-9	Extension, M5 SB5 H12 L140	SM5420S	N-62
End Cap 100 x 100, black	SZ0152S	N-32	Extension, M5 SB5 H12 L160	SM5422S	N-62
End Cap 100 x 150, black	SZ0153S	N-32	Extension, M5 SB5 B25 L60	SM5423S	N-62
End Cap 120 x 120, black	SZ0124S	N-32	Extension, M5 SB5 B35 L60	SM5424S	N-62
End Cap 150 x 150, black	SZ0154S	N-32	Extension, M5 SB5 B45 L60	SM5425S	N-62
End Cap 25 x 25, black	SZ0130S	N-32	Extension Arm 100 mm, black	SM5560S	N-49
End Cap 25 x 50, black	SZ0133S	N-32	Extension Arm 100 mm, natural	SM5560N	N-49
End Cap 30 x 30, black	SZ0140S	N-31	Extension Arm 150 mm, black	SM5562S	N-49
End Cap 30 x 60, black	SZ0141S	N-31	Extension Arm 150 mm, natural	SM5562N	N-49
End Cap 40 x 40, black	SZ0120S	N-32	Extension Arm, tooth profile, 100 mm, black	SM5565S	N-49
End Cap 40 x 80, black	SZ0121S	N-32	Extension Arm, tooth profile, 100 mm, natural	SM5565N	N-49
End Cap 50 x 100, black	SZ0151S	N-32	Extension Arm, tooth profile, 150 mm, black	SM5567S	N-49
End Cap 50 x 50, blamock	SZ0131S	N-32	Extension Arm, tooth profile, 150 mm, natural	SM5567N	N-49
End Cap 50 x 50, black (matrix 50)	SZ0150S	N-32	Extension Arm, tooth profile, with drilling template, 100 mm, black	SM5566S	N-49
End Cap 50 x 75, black	SZ0134S	N-32	Extension Arm, tooth profile, with drilling template, 100 mm, natural	SM5566N	N-49
End Cap 60 x 60, black	SZ0142S	N-31	Extension Arm, tooth profile, with drilling template, 150 mm, black	SM5568S	N-49
End Cap 60 x 90, black	SZ0143S	N-31	Extension Arm, tooth profile, with drilling template, 150 mm, natural	SM5568N	N-49
End Cap 75 x 75, black	SZ0132S	N-32	Extension Arm, toothing, 35 mm, black	SM5620S	N-56
End Cap 80 x 120, black	SZ0123S	N-32	Extension Arm, toothing, 50 mm, black	SM5621S	N-56
End Cap 80 x 80, black	SZ0122S	N-32	Extension Arm, toothing, 70 mm, black	SM5622S	N-56
End Cap 90 x 90, black	SZ0144S	N-31	Extension Arm, toothing, 90 mm, black	SM5623S	N-56
End Cap Ø 12.5, black	SZ0135S	N-32	Extension Arm, toothing, 110 mm, black	SM5624S	N-56
End Cap Ø 15, black	SZ0145S	N-31	Extension Arm, toothing, 130 mm, black	SM5625S	N-56
End Cap Ø 20, black	SZ0125S	N-32	Extension Arm, toothing, 150 mm, black	SM5626S	N-56
End Cap Ø 25, black	SZ0155S	N-32	Extension Arm, toothing, 170 mm, black	SM5627S	N-50
End Of Stroke Set 8	SL8610V	G-26	Extension Arm, toothing, 170 mm, natural	SM5627N	N-50
End Stop 20 x 13.5 M 6	SL8604S	G-21	Extension Arm, toothing, 190 mm, black	SM5628S	N-50
End Stop 21 x 24 M 6	SL8600S	G-21	Extension Arm, toothing, 190 mm, natural	SM5628N	N-50
End Stop 32 x 36 M 8	SL8601S	G-21	Extension Arm, 170 mm, toothing	SM5527S	N-56
End Stop 52 x 58 M 10	SL8602S	G-21	Extension Arm, 170 mm, toothing	SM5528S	N-56
End Stop 75 x 89 M 12	SL8603S	G-21	Extension Vario 35 / 50 M 24 x 1, black	SM5817S	N-65
Exchange Board 40 Model / 1	SM6060S	N-35	Extension Vario 35 / 50 M 24 x 1, natural	SM5817N	N-65
Exchange Board 40 Model / 2	SM6061S	N-35	Extension Vario 50 / 75 M 24 x 1, black	SM5818S	N-65
Exhaust Vent Fin Profile 40, natural	SX4501N	C-49	Extension Vario 50 / 75 M 24 x 1, natural	SM5818N	N-65
Exhaust Vent Fin Profile 80, natural	SX4601N	C-49	Extension Vario 80 / 120 M 24 x 1, black	SM5815S	N-65
Exhaust Vent Frame Profile 60, natural	SX4101N	C-49	Extension Vario 80 / 120 M 24 x 1, natural	SM5815N	N-65
Exhaust Vent Frame Profile 80, natural	SX4201N	C-49	Extension Strap, 100 mm, black	SM5636S	N-57
Extension 40, 40 mm, black	SM5591S	N-60	Extension Strap, 50 mm, black	SM5631S	N-57
Extension 40, 80 mm, black	SM5590S	N-60	Extension Strap, 60 mm, black	SM5632S	N-57
Extension 40, 120 mm, black	SM5592S	N-60	Extension Strap, 70 mm, black	SM5633S	N-57
Extension 40, 160 mm, black	SM5593S	N-60	Extension Strap, 80 mm, black	SM5634S	N-57
Extension 40, angulated bottom, 40 mm, black	SM5588S	N-60	Extension Strap, 90 mm, black	SM5635S	N-57
Extension 40, angulated bottom, 80 mm, black	SM5583S	N-60	Extension Arm, with drilling template, 100 mm, black	SM5561S	N-49
Extension 40, angulated bottom, 120 mm, black	SM5585S	N-60	Extension Arm, with drilling template, 100 mm, natural	SM5561N	N-49
Extension 40, angulated bottom, 160 mm, black	SM5587S	N-60	Extension Arm, with drilling template, 150 mm, black	SM5563S	N-49
Extension 40, angulated top, 40 mm, black	SM5589S	N-60	Extension Arm, with drilling template, 150 mm, natural	SM5563N	N-49
			Expanding Mandrel 20, 30°	SM3771S	N-55



Expanding Mandrel 20, 45°	SM3772S	N-55	Foot Plate 20 x 40 mini M 10, zinc-plated	SZ0202V	E-25
<b>F</b>			Foot Plate 20 x 40 mini M 8, zinc-plated	SZ0200V	E-25
Fast-Moving Vertical Lift Door	SH2000N	I-4	Foot Plate 30 x 60 midi M 10, zinc-plated	SZ0286V	E-25
Fixing Angle 40 x 20 x 15	SZ0910N	E-33	Foot Plate 30 x 60 midi M 8, zinc-plated	SZ0285V	E-25
Fixing Angle 40 x 20 x 20	SZ0912N	E-33	Foot Plate 40 x 40 mini M 10, zinc-plated	SZ0206V	E-25
Fixing Angle 40 x 20 x 30	SZ0914N	E-33	Foot Plate 40 x 40 mini M 8, zinc-plated	SZ0204V	E-25
Fixing Angle 40 x 20 x 40	SZ0916N	E-33	Foot Plate 40 x 40 M 10, zinc-plated	SZ0209V	E-23
Fixing Angle 40 x 40 x 15	SZ0920N	E-33	Foot Plate 40 x 80 M 8, zinc-plated	SZ0210V	E-23
Fixing Angle 40 x 40 x 20	SZ0922N	E-33	Foot Plate 40 x 80 M 10, zinc-plated	SZ0212V	E-23
Fixing Angle 40 x 40 x 30	SZ0924N	E-33	Foot Plate 40 x 80 M 12, zinc-plated	SZ0230V	E-23
Fixing Angle 40 x 40 x 40	SZ0926N	E-33	Foot Plate 40 x 80 M 16, zinc-plated	SZ0232V	E-23
Fixing Angle 60 x 80	SZ0980N	E-33	Foot Plate 40 x 80 M 20, zinc-plated	SZ0233V	E-23
Fixing Angle 60 x 120	SZ0990N	E-33	Foot Plate 40 x 120 M 10, zinc-plated	SZ0216V	E-23
Fixing Angle 70 x 70 x 36	SZ0940N	E-34	Foot Plate 40 x 120 M 12, zinc-plated	SZ0234V	E-23
Fixing Angle 70 x 70 x 76	SZ0941N	E-34	Foot Plate 40 x 120 M 16, zinc-plated	SZ0236V	E-23
Fixing Angle 80 x 80	SZ0985N	E-33	Foot Plate 40 x 120 M 20, zinc-plated	SZ0237V	E-23
Fixing Angle 80 x 120	SZ0995N	E-33	Foot Plate 40 x 120 M 8, zinc-plated	SZ0214V	E-23
Fixing Angle Cap 40 x 40 edge	SZ0077S	E-11	Foot Plate 40 x 160 M 10, zinc-plated	SZ0261V	E-23
Fixing Angle Cap 40 x 40 round	SZ0076S	E-11	Foot Plate 40 x 160 M 12, zinc-plated	SZ0262V	E-23
Fixing Angle Cap 40 x 40 45°	SZ0075S	E-11	Foot Plate 40 x 160 M 16, zinc-plated	SZ0263V	E-23
Fixing Bolt	SM3852V	N-55	Foot Plate 40 x 160 M 20, zinc-plated	SZ0264V	E-23
Fixing Block 22, natural	SL0195N	G-20	Foot Plate 40 x 160 M 8, zinc-plated	SZ0260V	E-23
Fixing Block 30 Vario	SZ1540S	E-58	Foot Plate 40 x 200 M 10, zinc-plated	SZ0266V	E-23
Fixing Block 40 Vario	SZ1510S	E-58	Foot Plate 40 x 200 M 12, zinc-plated	SZ0267V	E-23
Fixing Block 40 / 2	SZ1512S	E-58	Foot Plate 40 x 200 M 16, zinc-plated	SZ0268V	E-23
Fixing Block 40 / 4	SZ1514S	E-58	Foot Plate 40 x 200 M 20, zinc-plated	SZ0269V	E-23
Fixing Block 40 / 6	SZ1516S	E-58	Foot Plate 40 x 200 M 8, zinc-plated	SZ0265V	E-23
Fixing Block 40 / 8	SZ1518S	E-58	Foot Plate 60 x 60 midi M 10, zinc-plated	SZ0296V	E-25
Fixing Block 50, natural	SL0196N	G-20	Foot Plate 60 x 60 midi M 12, zinc-plated	SZ0297V	E-25
Fixing Block End Stop M 6	SZ1530N	G-21	Foot Plate 60 x 60 midi M 16, zinc-plated	SZ0298V	E-25
Fixing Block End Stop M 8	SZ1531N	G-21	Foot Plate 60 x 60 midi M 8, zinc-plated	SZ0295V	E-25
Fixing Hook, with Spring, black	SM5899S	N-60	Foot Plate 80 x 80 M 8, zinc-plated	SZ0240V	E-23
Fixing Hook, with Spring, natural	SM5899N	N-60	Foot Plate 80 x 80 M 10, zinc-plated	SZ0242V	E-23
Fixing Set For 40 x 40 edge	SZ0933S	E-25	Foot Plate 80 x 80 M 12, zinc-plated	SZ0220V	E-23
Fixing Set For 40 x 40 round	SZ0932S	E-25	Foot Plate 80 x 80 M 16, zinc-plated	SZ0222V	E-23
Fixing Set For 40 x 40 45°	SZ0930S	E-25	Foot Plate 80 x 80 M 20, zinc-plated	SZ0223V	E-23
Fixing Set For Adjustable Feet	SZ1700V	E-9	Foot Plate 80 x 80 edge 7N M 8, zinc-plated	SZ0255V	E-23
Fixing Set For Angle Feet	SZ1710V	E-18	Foot Plate 80 x 80 edge 7N M 10, zinc-plated	SZ0256V	E-23
Fixing Set For Cable Joints	SZ1720V	L-3	Foot Plate 80 x 80 edge 7N M 12, zinc-plated	SZ0257V	E-23
Fixing Set For Clamping Foot	SZ1735V	E-19	Foot Plate 80 x 80 edge 7N M 16, zinc-plated	SZ0258V	E-23
Fixing Set For Foor Fixing Plate	SZ1730V	E-27	Foot Plate 80 x 80 edge 7N M 20, zinc-plated	SZ0259V	E-23
Fixing Set For Mounting Feet 60 x 80 and 80 x 80	SZ1750V	E-20	Foot Plate 80 x 120 M 8, zinc-plated	SZ0270V	E-24
Fixing Set For Load Bearing Rollers	SZ2580Z	E-30	Foot Plate 80 x 120 M 10, zinc-plated	SZ0271V	E-24
Fixing Set For Gusset Plate Al 160 x 160	SZ0780V	E-37	Foot Plate 80 x 120 M 12, zinc-plated	SZ0272V	E-24
Fixing Set For Gusset Plate Al, angle	SZ0782V	E-37	Foot Plate 80 x 120 M 16, zinc-plated	SZ0273V	E-24
Fixing Set For Gusset Plate Al, t-version	SZ0784V	E-37	Foot Plate 80 x 120 M 20, zinc-plated	SZ0274V	E-24
Fixing Set For Hanger 20	SZ0684Z	E-51	Foot Plate 80 x 160 M 8, zinc-plated	SZ0250V	E-24
Fixing Set For Hanger 30	SZ0683Z	E-51	Foot Plate 80 x 160 M 10, zinc-plated	SZ0252V	E-24
Fixing Set For Hanger 40	SZ0682Z	E-50	Foot Plate 80 x 160 M 12, zinc-plated	SZ0224V	E-24
Fixing Set For Hinge 20	SZ0785V	E-33	Foot Plate 80 x 160 M 16, zinc-plated	SZ0226V	E-24
Fixing Set For Hinge 30	SZ0786V	E-47	Foot Plate 80 x 160 M 20, zinc-plated	SZ0227V	E-24
Fixing Set For Hinge 30 PA	SZ0787V	E-45	Foot Plate 80 x 180, for center bushing, natural	SM3910N	N-54
Fixing Set For Hinge 30 VA	SZ0790V	E-35	Foot Plate 80 x 180, for screw connection, natural	SM3920N	N-54
Fixing Set For Hinge 32	SZ0789V	E-46	Foot Plate 80 x 190, for adapter bushing plate, natural	SM3900N	N-54
Fixing Set For Hinge 40	SZ0788V	E-44	Foot Plate 80 x 200 M 8, zinc-plated	SZ0275V	E-24
Fixing Set For Hinge 48	SZ0791V	E-46	Foot Plate 80 x 200 M 10, zinc-plated	SZ0276V	E-24
Fixing Set For Portal Plates	SZ1732V	E-28	Foot Plate 80 x 200 M 12, zinc-plated	SZ0277V	E-24
Fixing Set For Table Corner	SZ5182V	K-8	Foot Plate 80 x 200 M 16, zinc-plated	SZ0278V	E-24
Fixing Set For Table Corner 45°	SZ5180V	K-8	Foot Plate 80 x 200 M 20, zinc-plated	SZ0279V	E-24
Floor Angle Profile, natural	SX9001N	C-42	Foot Plate 80 x 260, for center bushing + screw connection, natural	SM3940N	N-54
Floor Fixing Plate	SZ0300S	E-27	Foot Plate 120 x 120 M 16, zinc-plated	SZ0282V	E-24
Floor Plate 28 x 160 x 160	SZ0350V	E-27	Foot Plate 120 x 120 M 20, zinc-plated	SZ0283V	E-24
Floor Plate 28 x 160 x 280	SZ0352V	E-27	Foot Plate 120 x 160 M 16, zinc-plated	SZ0287V	E-24
Floor Block M 32 x 1.5	SZ0300V	E-28	Foot Plate 120 x 160 M 20, zinc-plated	SZ0288V	E-24
			Foot Plate 160 x 160 M 16, zinc-plated	SZ0280V	E-24



Foot Plate 160 x 160 M 20, zinc-plated	SZ0281V	E-24	Heavy Duty Fastener 120 x 120 M 27	SV6011V	D-19
Foot Plate R 40 x 80 90° M 8, zinc-plated	SZ0211V	E-23	Heavy Duty Joint 40 x 40, natural	SZ1020N	E-48
Foot Plate R 40 x 80 90° M 10, zinc-plated	SZ0213V	E-23	Heavy Duty Joint 40 x 40 heavy duty, natural	SZ1050N	E-48
Footplate 78x78x30 M16 / km8	SZ0360S	N-31	Heavy Duty Joint 40 x 40, with lever	SZ1021N	E-48
Footplate 78x118x30 M16 / km8	SZ0361S	N-31	Heavy Duty Joint 40 x 80, natural	SZ1022N	E-48
Footplate 118x118x30 M16 / km8	SZ0362S	N-31	Heavy Duty Joint 40 x 80, with lever	SZ1023N	E-48
Footplate 100x100x30 M16 / km12	SZ0307V	N-31	Heavy Duty Slide 25, screw spindle, 76 x 76 x 25, black	SM1240S	N-43
Footplate 150x150x30 M16 / km12	SZ0308V	N-31	Heavy Duty Slide 40, screw spindle, 135 x 135 x 40, black	SM1250S	N-43
Foot Plate With 4 Adjustable Feet	ST4500S	E-33	Heavy Duty Slide 50, screw spindle, 160 x 160 x 50, black	SM1290S	N-43
Frame Element 60 x 80	SZ8100N	H-27	Heavy Duty Slide 25, floating, 76 x 76 x 25, black	SM1241S	N-44
Frame Element 60 x 80, with internal panel	SZ8102N	H-28	Heavy Duty Slide 40, floating, 135 x 135 x 40, black	SM1251S	N-44
Frame Element 80 x 80	SZ8101N	H-29	Heavy Duty Slide 50, floating, 160 x 160 x 50, black	SM1291S	N-44
Frame Profile 40, natural	SP7301N	C-18	Heavy Duty Cross Roller Slide 25, screw spindle, 76x76x50	SM1242S	N-43
Frame Profile 40, natural	SP7301N	H-10	Heavy Duty Cross Roller Slide 40, screw spindle, 135x135x80	SM1252S	N-43
			Heavy Duty Cross Roller Slide 50, screw spindle, 160x160x100	SM1292S	N-43
<b>G</b>			Heavy Duty Cross Roller Slide 25, floating, 76x76x50	SM1243S	N-43
Glider	SZ1110S	E-40	Heavy Duty Cross Roller Slide 40, floating, 135x135x80	SM1253S	N-43
Glider Slide 120 / xxx	SL4092N	F-49	Heavy Duty Cross Roller Slide 50, floating, 160x160x100	SM1293S	N-43
Glider Slide 160 / xxx	SL4094N	F-49	Hexagon Bit SW 3, short	SZ6193K	O-4
Glider Slide 80 / xxx	SL4090N	F-49	Hexagon Bit SW 4, short	SZ6194K	O-4
Glider Slide xxx / xxx	SL4096N	F-49	Hexagon Bit SW 5, short	SZ6195K	O-4
Guidance Rail Ø 10 mm	SL0181G	G-27	Hexagon Bit SW 6, short	SZ6196K	O-4
Guidance Rail Ø 12 mm	SL0182G	G-27	Hexagon Bit SW 8, short	SZ6198K	O-4
Guidance Rail Ø 16 mm	SL0184G	G-24	Hexagon Key SW 3	SZ6100V	O-2
Guidance Rail Ø 16 mm, corrosion-resistant	SL0185G	G-24	Hexagon Key SW 3, long, with t-handle	SZ6151V	O-4
Guidance Rail Ø 20 mm	SL0186G	G-27	Hexagon Key SW 3, with ball head	SZ6131V	O-3
Guidance Rail Ø 25 mm	SL0188G	G-24	Hexagon Key SW 3, with ball head	SZ6121V	O-2
Guidance Rail Ø 25 mm, corrosion-resistant	SL0189G	G-24	Hexagon Key SW 4	SZ6102V	O-2
Gusset Plate Al, 160 x 160	SZ8043N	E-37	Hexagon Key SW 4, long, with t-handle	SZ6152V	O-4
Gusset Plate Al, 160 x 160, complete	SZ8048N	E-37	Hexagon Key SW 4, with ball head	SZ6132V	O-3
Gusset Plate Al, angle	SZ8060N	E-37	Hexagon Key SW 4, with ball head	SZ6122V	O-2
Gusset Plate Al, angle, complete	SZ8065N	E-37	Hexagon Key SW 4, with t-handle	SZ6142V	O-4
Gusset Plate Al, t-version	SZ8070N	E-37	Hexagon Key SW 5	SZ6103V	O-2
Gusset Plate Al, t-version, complete	SZ8075N	E-37	Hexagon Key SW 5, long, with t-handle	SZ6153V	O-4
			Hexagon Key SW 5, with ball head	SZ6133V	O-3
<b>H</b>			Hexagon Key SW 5, with ball head	SZ6123V	O-2
Halter, Slide Shaft Tension Jack, black	SM5575S	N-33	Hexagon Key SW 5, with t-handle	SZ6143V	O-4
Halter, Slide Shaft Tension Jack, natural	SM5575N	N-33	Hexagon Key SW 6	SZ6104V	O-2
Handle Al 147 mm, black	SZ0840S	E-30	Hexagon Key SW 6, long, with t-handle	SZ6154V	O-4
Handle Al 147 mm, natural	SZ0840N	E-30	Hexagon Key SW 6, with ball head	SZ6134V	O-3
Handle Al 145 mm, black	SZ0680N	E-30	Hexagon Key SW 6, with ball head	SZ6124V	O-2
Handle Al 55°, black	SZ0850S	E-30	Hexagon Key SW 6, with t-handle	SZ6144V	O-4
Handle Al 55°, natural	SZ0850N	E-30	Hexagon Key SW 8	SZ6106V	O-2
Handle Al 700 mm, natural	SZ0830N	E-30	Hexagon Key SW 8, long, with t-handle	SZ6156V	O-4
Handle PA	SZ0820S	E-30	Hexagon Key SW 8, with ball head	SZ6136V	O-3
Handle, light	SZ0810N	E-30	Hexagon Key SW 8, with ball head	SZ6126V	O-2
Handle Strip Profile 30 x 40, natural	SP0591N	C-25	Hexagon Key SW 8, with t-handle	SZ6146V	O-4
Handrail Profile, natural	SP0601N	C-23	Hinge 50 x 50 x 75, with locking pin, black	SM5523S	N-48
Hanger 20, black	SZ0603S	E-51	Hinge 80 x 80 x 120, with locking pin, black	SM5525S	N-48
Hanger 20, natural	SZ0603V	E-51	Hinge 20 PA, left	SZ0705S	E-45
Hanger 30, black	SZ0604S	E-51	Hinge 20 PA, right	SZ0706S	E-45
Hanger 30, natural	SZ0604V	E-51	Hinge 20 / 20 PA	SZ0715S	E-45
Hanger 40, black	SZ0600S	E-50	Hinge 20 / 20 PA, complete	SZ0720S	E-45
Hanger 40, natural	SZ0600V	E-50	Hinge 25 x 50 x 75, with locking pin, black	SM5523S	N-43
Hanger 40 PA	SZ0601S	E-50	Hinge 25 x 50 x 75, with locking pin, natural	SM5523N	N-43
Hanger 40 SVPS, black	SZ0602S	E-50	Hinge 30 PA, left	SZ0775S	E-35
Hanger 40 SVPS, natural	SZ0602V	E-50	Hinge 30 PA, right	SZ0776S	E-47
Hanger 40 U, black	SZ0612S	E-50	Hinge 30 VA, complete	SZ0730V	E-47
Hanger 40 V Fastener L, black	SZ0611S	E-50	Hinge 30 / 20 PA	SZ0716S	E-47
Hanger 40 V Fastener R, black	SZ0610S	E-50	Hinge 30 / 20 PA, complete	SZ0721S	E-47
Heavy Duty Fastener 80 x 80 M 12	SV6005V	D-19	Hinge 30 / 30 PA	SZ0717S	E-47
Heavy Duty Fastener 80 x 120 M 12	SV6008V	D-19	Hinge 30 / 30 PA, complete	SZ0723S	E-33
Heavy Duty Fastener 80 x 160 M 27	SV6002V	D-19	Hinge 30, natural	SZ0735N	E-35
Heavy Duty Fastener 80 x 200 M 27	SV6000V	D-19	Hinge 32 PA, left	SZ0770S	E-34
Heavy Duty Fastener 120 x 120 M 12	SV6010V	D-19	Hinge 32 PA, right	SZ0771S	E-34



Hinge 40 GDZn, black	SZ0761S	E-44
Hinge 40/30 PA	SZ0718S	E-45
Hinge 40/30 PA, complete	SZ0724S	E-45
Hinge 40/40 PA	SZ0719S	E-45
Hinge 40/40 PA, complete	SZ0725S	E-45
Hinge 40 x 80 x 120, with locking pin, black	SM5525S	N-43
Hinge 40 x 80 x 120, with locking pin, natural	SM5525N	N-43
Hinge 40, black	SZ0760S	E-44
Hinge 40, L 124, natural	SZ0765N	E-44
Hinge 40, L 166, natural	SZ0766N	E-44
Hinge 40, L 166, heavy, natural	SZ0767N	E-44
Hinge 40, natural	SZ0760N	E-44
Hinge 40, steel	SZ0760V	E-44
Hinge 40, with countersunk Am 8	SZ0762N	E-44
Hinge 48 PA, left	SZ0773S	E-46
Hinge 48 PA, right	SZ0774S	E-46
Hinge Profile 30 midi, natural	SP0551N	C-36
Hinge, Al	SZ8014N	E-47
Hinge, Al, with 12 mm bolt, 2-parts	SZ8013N	E-46
Hinge, Al, with 12 mm bolt, 3-parts	SZ8012N	E-46
Hinge front hole Key	SM5880N	N-65
Hinge Castor D125mm for Profile 80 x 80 steering roller	SF2602V	N-36
Hinge Castor D125mm for Profile 80 x 80 trestle roller	SF2612V	N-36
Hinge Castor D125mm for Profile 120 x 120 steering roller	SF2603V	N-36
Hinge Castor D125mm for Profile 120 x 120 trestle roller	SF2613V	N-36
Hinge Castor D200mm for Profile 120 x 120 steering roller	SF2609V	N-36
Hinge Castor D200mm for Profile 120 x 120 trestle roller	SF2619V	N-36
Hinge Castor D125mm for Profile 100 x 100 steering roller	SF2608V	N-36
Hinge Castor D125mm for Profile 100 x 100 trestle roller	SF2618V	N-36
Hold Down Pin Fixture, black	SM5890S	N-67
Hold Down Pin Fixture, natural	SM5890N	N-67
Hold Down Pin Spring 105 mm, black	SM5897S	N-67
Hold Down Pin Spring 105 mm, natural	SM5897N	N-67
Hold Down Pin Spring 60 mm, black	SM5896S	N-67
Hold Down Pin Spring 60 mm, natural	SM5896N	N-67
Hold Down Pin Spring, for low clamping, 63 mm, black	SM5898S	N-67
Hold Down Pin Spring, for low clamping, 63 mm, natural	SM5898N	N-67
Hold Down Pin, 150 mm, natural	SZ5894N	N-67
Hold Down Pin, 70 mm, natural	SZ5892N	N-67
Holder, adjustable	SZ8010V	D-19
Hook tensioner basic unit	SM1700S	N-42

<b>I</b>		
Idler Roller	ST2000N	J-7
Internal Element	SZ8130N	H-20

<b>J</b>		
Jacking Screw M 32 x 1.5 100 SW 36	SS3100S	E-28
Jacking Screw M 32 x 1.5 60 SW 36	SS3060S	E-28
Joint Arm System Adjustment Ring, black	SM5605S	N-56
Joint Arm System Base Plate, black	SM5606S	N-56
Joint Arm System Base Plate, natural	SM5606N	N-50
Joint Arm System Base Plate 40 x 80, black	SM5510S	N-48
Joint Arm System Base Plate 40 x 80, natural	SM5510N	N-48
Joint Arm System Base Plate 50 x 70, black	SM5514S	N-48
Joint Arm System Base Plate 50 x 70, natural	SM5514N	N-48
Joint Arm System Base Plate 80 x 80, black	SM5512S	N-48
Joint Arm System Base Plate 80 x 80, natural	SM5512N	N-48
Joint Arm System, bottom, black	SM5502S	N-48
Joint Arm System, bottom, natural	SM5502N	N-48
Joint Arm System, top, black	SM5500S	N-48
Joint Arm System, top, natural	SM5500N	N-48
Joint Arm System, toothing, bottom, black	SM5601S	N-56
Joint Arm System, toothing, top, black	SM5600S	N-56
Joint Arm System, toothing, top, black	SM5610S	N-56

<b>L</b>		
Layshaft Ø 8 40 mm, black	SM5481S	N-60
Layshaft Ø 8 60 mm, black	SM5482S	N-60
Layshaft Ø 8 70 mm, black	SM5483S	N-60
Layshaft Ø 8 80 mm, black	SM5484S	N-60
Leg, 100 mm	SM5550S	N-56
Lifting Column 25 / 500 - 630	SM1610S	N-42
Lifting Column 25 / 500 - 630	SM1620S	N-42
Lifting Column 25 / 500 - 630	SM1630S	N-42
Lifting Castor Unit, with steering roller Ø 100	SF2600V	E-21
Lifting Castor Unit, with trestle roller Ø 100	SF2601V	E-21
Lifting Castor Unit, with steering roller Ø 125	SF2604V	E-21
Lifting Castor Unit, with trestle roller Ø 125	SF2605V	E-21
Lifting Castor Unit, with steering roller Ø 100 compact	SF2606V	E-21
Lifting Castor Unit, with trestle roller Ø 100 compact	SF2607V	E-21
Limit Switch Cam 100	SL1500S	G-26
Limit Switch Cam 120	SL1502S	G-26
Linear Actuator 1 Profile, natural	SX8501N	C-42
Linear Actuator 16 – 40 x 80 x 40 + 40 x 80 x 40 / 400 / G 50	SL5290N	F-29
Linear Actuator 16 – 40 x 80 x 40 + 40 x 80 x 40 / xxx / G 50	SL5291N	F-29
Linear Actuator 16 – 40 x 80 x 40 / 140	SL5100N	F-17
Linear Actuator 16 – 40 x 80 x 40 / 140 / 40 x 40	SL5000N	F-17
Linear Actuator 16 – 40 x 80 x 40 / 140 / 40 x 80	SL5001N	F-17
Linear Actuator 16 – 40 x 80 x 40 / 140 / 40 x 80 heavy duty	SL5002N	F-17
Linear Actuator 16 – 40 x 80 x 40 / 280 / 40 x 80 heavy duty	SL5003N	F-17
Linear Actuator 16 – 40 x 80 x 40 / 280	SL5110N	F-17
Linear Actuator 16 – 40 x 80 x 40 / 280 / 40 x 40	SL5005N	F-17
Linear Actuator 16 – 40 x 80 x 40 / 280 / 40 x 80	SL5004N	F-17
Linear Actuator 16 – 40 x 80 x 40 / xxx / 40 x 80 heavy duty	SL5007N	F-17
Linear Actuator 16 – 40 x 80 x 40 / 400 / G 22	SL5018N	F-27
Linear Actuator 16 – 40 x 80 x 40 / xxx	SL5115N	F-17
Linear Actuator 16 – 40 x 80 x 40 / xxx / 40 x 40	SL5008N	F-17
Linear Actuator 16 – 40 x 80 x 40 / xxx / 40 x 80	SL5006N	F-17
Linear Actuator 16 – 40 x 80 x 40 / xxx / G 22	SL5019N	F-27
Linear Actuator 16 – 40 x 80 x 80 / 140	SL5120N	F-18
Linear Actuator 16 – 40 x 80 x 80 / 140 / 40 x 40	SL5020N	F-18
Linear Actuator 16 – 40 x 80 x 80 / 200	SL5125N	F-18
Linear Actuator 16 – 40 x 80 x 80 / 200 / 40 x 40	SL5025N	F-18
Linear Actuator 16 – 40 x 80 x 80 / 280	SL5130N	F-18
Linear Actuator 16 – 40 x 80 x 80 / 280 / 40 x 40	SL5030N	F-18
Linear Actuator 16 – 40 x 80 x 80 / xxx	SL5135N	F-18
Linear Actuator 16 – 40 x 80 x 80 / xxx / 40 x 40	SL5031N	F-18
Linear Actuator 16 – 40 x 80 x 40 / 140 / 40 x 40 heavy duty	SL5002N	F-17
Linear Actuator 16 – 40 x 80 x 40 / 280 / 40 x 40 heavy duty	SL5003N	F-17
Linear Actuator 16 – 40 x 80 x 40 / xxx / 40 x 40 heavy duty	SL5007N	F-20
Linear Actuator 16 – 80 x 80 / 140	SL5145N	F-19
Linear Actuator 16 – 80 x 80 / 140 / 40 x 40	SL5035N	F-19
Linear Actuator 16 – 80 x 80 / 140 / 40 x 80	SL5210N	F-19
Linear Actuator 16 – 80 x 80 / 140 / 80 x 80	SL5070N	F-19
Linear Actuator 16 – 80 x 80 / 140 / 80 x 90	SL5071N	F-19
Linear Actuator 16 – 80 x 80 / 140 / 80 x 100	SL5085N	F-19
Linear Actuator 16 – 80 x 80 / 140 / 80 x 120	SL5220N	F-19
Linear Actuator 16 – 80 x 80 / 200	SL5150N	F-20
Linear Actuator 16 – 80 x 80 / 200 / 40 x 40	SL5040N	F-19
Linear Actuator 16 – 80 x 80 / 200 / 40 x 40, external	SL5202N	F-20
Linear Actuator 16 – 80 x 80 / 200 / 40 x 80	SL5212N	F-19
Linear Actuator 16 – 80 x 80 / 200 / 40 x 80, external	SL5050N	F-20
Linear Actuator 16 – 80 x 80 / 200 / 80 x 80	SL5075N	F-19
Linear Actuator 16 – 80 x 80 / 200 / 80 x 90	SL5076N	F-19
Linear Actuator 16 – 80 x 80 / 200 / 80 x 100	SL5090N	F-19
Linear Actuator 16 – 80 x 80 / 200 / 80 x 120	SL5222N	F-19
Linear Actuator 16 – 80 x 80 / 200 sl	SL5160N	F-20
Linear Actuator 16 – 80 x 80 / 200 sl / 40 x 40	SL5047N	F-19
Linear Actuator 16 – 80 x 80 / 200 sl / 40 x 80	SL5216N	F-19



Linear Actuator 16 – 80 x 80 / 200 sl / 80 x 80	SL5082N	F-19	Linear Actuator 25 – 80 x 80 / xxx	SL5502N	F-23
Linear Actuator 16 – 80 x 80 / 200 sl / 80 x 100	SL5096N	F-19	Linear Actuator 25 – 80 x 80 / xxx / 80 x 80	SL5506N	F-23
Linear Actuator 16 – 80 x 80 / 200 sl / 80 x 120	SL5226N	F-19	Linear Actuator 25 – 80 x 80 / xxx / 80 x 100	SL5510N	F-23
Linear Actuator 16 – 80 x 80 / 280	SL5155N	F-20	Linear Actuator 25 – 80 x 80 / xxx / 80 x 120	SL5514N	F-23
Linear Actuator 16 – 80 x 80 / 280 / 40 x 40	SL5045N	F-19	Linear Actuator 25 – 80 x 160 / 360	SL5520N	F-24
Linear Actuator 16 – 80 x 80 / 280 / 40 x 40, external	SL5204N	F-20	Linear Actuator 25 – 80 x 160 / 360 / 80 x 80	SL5524N	F-24
Linear Actuator 16 – 80 x 80 / 280 / 40 x 80	SL5214N	F-19	Linear Actuator 25 – 80 x 160 / 360 / 80 x 100	SL5528N	F-24
Linear Actuator 16 – 80 x 80 / 280 / 40 x 80, external	SL5055N	F-20	Linear Actuator 25 – 80 x 160 / 360 / 80 x 120	SL5532N	F-24
Linear Actuator 16 – 80 x 80 / 280 / 80 x 80	SL5080N	F-19	Linear Actuator 25 – 80 x 160 / 360 / 80 x 160	SL5536N	F-24
Linear Actuator 16 – 80 x 80 / 280 / 80 x 90	SL5081N	F-19	Linear Actuator 25 – 80 x 160 / xxx	SL5522N	F-24
Linear Actuator 16 – 80 x 80 / 280 / 80 x 100	SL5095N	F-19	Linear Actuator 25 – 80 x 160 / xxx / 80 x 80	SL5526N	F-24
Linear Actuator 16 – 80 x 80 / 280 / 80 x 120	SL5224N	F-19	Linear Actuator 25 – 80 x 160 / xxx / 80 x 100	SL5530N	F-24
Linear Actuator 16 – 80 x 80 / 400 / G 50	SL5229N	F-28	Linear Actuator 25 – 80 x 160 / xxx / 80 x 120	SL5534N	F-24
Linear Actuator 16 – 80 x 80 + 40 x 80 x 80 / 400 / G 50	SL5227N	F-30	Linear Actuator 25 – 80 x 160 / xxx / 80 x 160	SL5538N	F-24
Linear Actuator 16 – 80 x 80 + 40 x 80 x 80 / xxx / G 50	SL5233N	F-30	Linear Actuator 25 – 120 x 120 / 320	SL5550N	F-25
Linear Actuator 16 – 80 x 80 / xxx	SL5165N	F-20	Linear Actuator 25 – 120 x 120 / 320 / 120 x 120	SL5574N	F-25
Linear Actuator 16 – 80 x 80 / xxx / 40 x 40	SL5048N	F-19	Linear Actuator 25 – 120 x 120 / 320 / 80 x 80	SL5554N	F-25
Linear Actuator 16 – 80 x 80 / xxx / 40 x 40, external	SL5208N	F-20	Linear Actuator 25 – 120 x 120 / 320 / 80 x 100	SL5558N	F-25
Linear Actuator 16 – 80 x 80 / xxx / 40 x 80	SL5218N	F-19	Linear Actuator 25 – 120 x 120 / 320 / 80 x 120	SL5566N	F-25
Linear Actuator 16 – 80 x 80 / xxx / 40 x 80, external	SL5058N	F-20	Linear Actuator 25 – 120 x 120 / 320 / 80 x 120, external	SL5570N	F-26
Linear Actuator 16 – 80 x 80 / xxx / 80 x 80	SL5084N	F-19	Linear Actuator 25 – 120 x 120 / xxx	SL5552N	F-25
Linear Actuator 16 – 80 x 80 / xxx / 80 x 100	SL5098N	F-19	Linear Actuator 25 – 120 x 120 / xxx / 120 x 120	SL5576N	F-25
Linear Actuator 16 – 80 x 80 / xxx / 80 x 120	SL5228N	F-19	Linear Actuator 25 – 120 x 120 / xxx / 80 x 80	SL5556N	F-25
Linear Actuator 16 – 80 x 80 / xxx / G 50	SL5231N	F-28	Linear Actuator 25 – 120 x 120 / xxx / 80 x 100	SL5560N	F-25
Linear Actuator 16 – 80 x 120 8N / 140	SL5170N	F-21	Linear Actuator 25 – 120 x 120 / xxx / 80 x 120	SL5568N	F-25
Linear Actuator 16 – 80 x 120 8N / 140 / 40 x 80	SL5230N	F-21	Linear Actuator 25 – 120 x 120 / xxx / 80 x 120, external	SL5572N	F-26
Linear Actuator 16 – 80 x 120 8N / 140 / 80 x 80	SL6000N	F-21	Linear Actuator 20x20 internally guided	SL4500N	F-36
Linear Actuator 16 – 80 x 120 8N / 140 / 80 x 100	SL5250N	F-21	Linear Actuator 80 / 90 160 / 8	SL5300N	F-50
Linear Actuator 16 – 80 x 120 8N / 140 / 80 x 120	SL6015N	F-21	Linear Actuator 80 / 90 200 / 10	SL5310N	F-50
Linear Actuator 16 – 80 x 120 8N / 200	SL5175N	F-21	Linear Actuator 80 / 90 280 / 10	SL5320N	F-50
Linear Actuator 16 – 80 x 120 8N / 200 / 40 x 80	SL5232N	F-21	Linear Actuator 80 / 90 200 / 10 twin axle	SL5350N	F-51
Linear Actuator 16 – 80 x 120 8N / 200 / 40 x 80, external	SL5242N	F-22	Linear Actuator 80 x 100 / 200 / 40 x 40, internally guided	SL4070N	F-35
Linear Actuator 16 – 80 x 120 8N / 200 / 80 x 80	SL6005N	F-21	Linear Actuator 80 x 100 / xxx / 40 x 40, internally guided	SL4075N	F-35
Linear Actuator 16 – 80 x 120 8N / 200 / 80 x 80, external	SL5060N	F-22	Linear Actuator 120 x 120 AT 10 / 75, plastic rollers	SL5360N	F-52
Linear Actuator 16 – 80 x 120 8N / 200 / 80 x 100	SL5252N	F-21	Linear Actuator 120 x 120 AT 10 / 75, steel rollers	SL5370N	F-53
Linear Actuator 16 – 80 x 120 8N / 200 / 80 x 100, external	SL5262N	F-22	Linear Actuator 20 x 20, internally guided	SL4050N	F-36
Linear Actuator 16 – 80 x 120 8N / 200 / 80 x 120	SL6020N	F-21	Linear Actuator 120 x 120 / xxx / 120 x 120 / 50, internally guided	SL4055N	F-33
Linear Actuator 16 – 80 x 120 8N / 200 / 80 x 120, external	SL6072N	F-22	Linear Flange Plate 40 x 80	SL0300S	G-27
Linear Actuator 16 – 80 x 120 8N / 200 sl	SL5185N	F-21	Linear Flange Plate 80 x 80	SL0400S	G-27
Linear Actuator 16 – 80 x 120 8N / 200 sl / 40 x 80	SL5236N	F-21	Linear Slide 50 x 50 x 25, with screw spindle, black	SM1219S	N-40
Linear Actuator 16 – 80 x 120 8N / 200 sl / 80 x 80	SL6012N	F-21	Load Bearing Roller 45	SZ2420S	E-42
Linear Actuator 16 – 80 x 120 8N / 200 sl / 80 x 100	SL5256N	F-21	Load Bearing Roller RM 45	SZ2424S	E-42
Linear Actuator 16 – 80 x 120 8N / 200 sl / 80 x 120	SL6066N	F-21	Load Bearing Roller RS 45	SZ2422S	E-42
Linear Actuator 16 – 80 x 120 8N / 280	SL5180N	F-21	Locator Block	SZ3000S	D-15
Linear Actuator 16 – 80 x 120 8N / 280 / 40 x 80	SL5234N	F-21	Locking Unit PPS, black	SM3770S	N-55
Linear Actuator 16 – 80 x 120 8N / 280 / 40 x 80, external	SL5244N	F-22	Locking pin heavy	SM6115S	N-41
Linear Actuator 16 – 80 x 120 8N / 280 / 80 x 80	SL6010N	F-21	Locking pin short draggable / grinding comb	SM6118S	N-40
Linear Actuator 16 – 80 x 120 8N / 280 / 80 x 80, external	SL5065N	F-22	Locking pin short / draggable / shim	SM6119S	N-40
Linear Actuator 16 – 80 x 120 8N / 280 / 80 x 100	SL5254N	F-21	Locking pin short draggable / grinding comb	SM6120S	N-40
Linear Actuator 16 – 80 x 120 8N / 280 / 80 x 100, external	SL5264N	F-22	Locking pin short / draggable / shim	SM6121S	N-40
Linear Actuator 16 – 80 x 120 8N / 280 / 80 x 120	SL6025N	F-21			
Linear Actuator 16 – 80 x 120 8N / 280 / 80 x 120, external	SL6074N	F-22			
Linear Actuator 16 – 80 x 120 8N / xxx	SL5190N	F-19			
Linear Actuator 16 – 80 x 120 8N / xxx / 40 x 80	SL5238N	F-21	<b>M</b>		
Linear Actuator 16 – 80 x 120 8N / xxx / 40 x 80, external	SL5248N	F-22	Magnetic Catch Plate 2 mm	SZ1551S	E-54
Linear Actuator 16 – 80 x 120 8N / xxx / 80 x 80	SL6014N	F-21	Magnetic Catch Plate 4 mm	SZ1552S	E-54
Linear Actuator 16 – 80 x 120 8N / xxx / 80 x 80, external	SL5068N	F-22	Magnetic Catch Plate 6 mm	SZ1550S	E-54
Linear Actuator 16 – 80 x 120 8N / xxx / 80 x 100	SL5258N	F-21	Magnetic Catch Plate 8 mm	SZ1553S	E-54
Linear Actuator 16 – 80 x 120 8N / xxx / 80 x 100, external	SL5268N	F-22	Magnetic Holder, black, adhesive force: 36 N	SM5820S	N-66
Linear Actuator 16 – 80 x 120 8N / xxx / 80 x 120	SL6068N	F-21	Magnetic Holder, natural, adhesive force: 36 N	SM5820N	N-66
Linear Actuator 16 – 80 x 120 8N / xxx / 80 x 120, external	SL6078N	F-22	Magnetic Fixture	SM5124S	N-58
Linear Actuator 25 – 80 x 80 / 280	SL5500N	F-23	Matrix Plate 250 x 250 x 25, with system holes, natural	SM3010N	N-69
Linear Actuator 25 – 80 x 80 / 280 / 80 x 80	SL5504N	F-23	Matrix Plate 250 x 500 x 25, with system holes, black	SM3011S	N-49
Linear Actuator 25 – 80 x 80 / 280 / 80 x 100	SL5508N	F-23	Matrix Plate 250 x 500 x 25, with system holes, natural	SM3011N	N-49
Linear Actuator 25 – 80 x 80 / 280 / 80 x 120	SL5512N	F-23	Matrix Plate 440 x 440 x 40, with system holes, black	SM3050S	N-49
			Matrix Plate 440 x 440 x 40, with system holes, natural	SM3050N	N-49
			Matrix Plate 500 x 500 x 25, with system holes, black	SM3012S	N-49



Matrix Plate 500 x 500 x 25, with system holes, natural	SM3012N	N-49	Mounting Plate 100 x 150, natural	SV4143V	N-26
Measuring Ball Matrix 25	SM5134V	N-59	Mounting Plate 100 x 150, black	SV4143S	N-26
Measuring Ball Matrix 40	SM5136V	N-59	Mounting Plate 120 x 120, black	SV4008S	N-26
Measuring Ball Matrix 50	SM5138V	N-59	Mounting Plate 120 x 120, natural	SV4008V	N-26
Mesh Guarding Profile 40 180°, natural	SP6321N	C-19	Mounting Plate 150 x 150, natural	SV4144V	N-26
Mesh Guarding Profile 40 90°, natural	SP6311N	C-19	Mounting Plate 150 x 150, black	SV4144S	N-26
Mesh Guarding Profile 40, natural	SP6301N	C-19			
Mesh, steel, 2 x 20, black	SZ1644S	H-9	<b>O</b>		
Mesh, steel, 2 x 20, natural	SZ1644V	H-9	OMEGA Clamp, Type A	SZ1580N	E-40
Mesh, steel, 3 x 30, black	SZ1643S	H-9	Omega Drive 22, carriage	SL0602N	G-10
Mesh, steel, 3 x 30, natural	SZ1643V	H-9	Omega Drive 50, carriage	SL0612N	G-11
Mesh, steel, 4 x 40, black	SZ1642S	H-9	Omega Drive 50, closed	SL0630N	G-12
Mesh, steel, 4 x 40, natural	SZ1642V	H-9	Omega Drive AT 10/22	SL0600N	G-10
Metal Foot	SZ8040N	E-18	Omega Drive AT 10/50	SL0610N	G-11
Miter Connector 40 90°	SV1901V	D-18			
Miter Connector 40 90°	SV1901V	K-8	<b>P</b>		
Motor, with gearbox TD (180 W)	ST0004Z	J-6	Panel Profile 30 midi, natural	SP0751N	C-36
Motor, with gearbox TD (90 W)	ST0002Z	J-6	Pad screw M8x1 flat D10	SM5447S	N-62
Mounting Foot 60 x 80	SZ8050N	E-20	Pad screw M8x1 flat D6	SM5448S	N-62
Mounting Foot 80 x 80	SZ8055N	E-20	Pad screw M8x1 rounded	SM5449S	N-62
Mounting Plate 25 x 25, black	SV4120S	N-26	Perforated Plate, aluminum	SZ1666G	H-15
Mounting Plate 25 x 25, natural	SV4120V	N-26	Plastic Corner 40 120°	SV1670V	D-8
Mounting Plate 25 x 50, black	SV4123S	N-26	Plastic Corner 40 135°	SV1665V	D-8
Mounting Plate 25 x 50, natural	SV4123V	N-26	Plastic Corner 40 90°	SV1660V	D-8
Mounting Plate 30 x 30, natural	SV4130V	N-25	Pillar Profile, Segment 1	SX7901N	C-52
Mounting Plate 30 x 60, natural	SV4131V	N-25	Pillar Profile, Segment 2	SX7911N	C-52
Mounting Plate 40 x 40, black	SV4005S	N-26	Pillar Profile, Segment 3	SX7921N	C-52
Mounting Plate 40 x 40, natural	SV4005V	N-26	Pin Heavy	SM6114S	N-41
Mounting Plate 40 x 80, black	SV4006S	N-26	Locking Pin heavy	SM6115S	N-41
Mounting Plate 40 x 80, natural	SV4006V	N-26	Pin Holder 40 Ø 11	SM9100S	N-59
Mounting Plate 50 x 100, natural	SV4141V	N-26	Pin Holder 40 Ø 13	SM9102S	N-59
Mounting Plate 50 x 100, black	SV4141S	N-26	Pin Holder 40 Ø 16	SM9104S	N-59
Mounting Plate 50 x 50 x 12, black	SV4129S	N-26	Pin Holder 40 Ø 23	SM9106S	N-59
Mounting Plate 50 x 50 x 12, natural	SV4129V	N-26	Pin Holder 25 Ø 11	SM9101S	N-59
Mounting Plate 50 x 50, black	SV4121S	N-26	Pin Holder 25 Ø 13	SM9103S	N-59
Mounting Plate 50 x 50, natural	SV4121V	N-26	Pin Holder 25 Ø 16	SM9105S	N-59
Mounting Plate 50 x 50, natural	SV4140V	N-26	Pin Holder 25 Ø 23	SM9107S	N-59
Mounting Plate 50 x 50, black	SV4140S	N-26	Pin Holder 50 Ø 11	SM9108S	N-59
Mounting Plate 50 x 75, black	SV4124S	N-26	Pin Holder 50 Ø 13	SM9109S	N-59
Mounting Plate 50 x 75, natural	SV4124V	N-26	Pin Holder 50 Ø 16	SM9110S	N-59
Mounting Plate 60 x 60, natural	SV4132V	N-25	Pin Holder 50 Ø 23	SM9111S	N-59
Mounting Plate 60 x 90, natural	SV4133V	N-25	Plexiglass 4 mm, clear	SZ1622K	H-7
Mounting Plate 75 x 75, black	SV4122S	N-26	Plexiglass 4 mm, smoked	SZ1622R	H-7
Mounting Plate 75 x 75, natural	SV4122V	N-26	Plexiglass 5 mm, clear	SZ1623K	H-7
Mounting Plate 80 x 80, natural	SV4007V	N-26	Plexiglass 5 mm, smoked	SZ1623R	H-7
Mounting Plate 80 x 80, black	SV4007S	N-26	Plexiglass 6 mm, clear	SZ1624K	H-7
Mounting Plate 80 x 80 x 18, natural	SM2100N	N-39	Plexiglass 6 mm, smoked	SZ1624R	H-7
Mounting Plate 80 x 80 x 18, black	SM2100S	N-39	Plexiglass 8 mm, clear	SZ1625K	H-7
Mounting Plate 80 x 80 x 20, black	SV4009S	N-26	Plexiglass 8 mm, smoked	SZ1625R	H-7
Mounting Plate 80 x 80 x 20, natural	SV4009V	N-26	Pneumatic Corner Connector 40 x 80	SD0142N	M-4
Mounting Plate 80 x 120 x 18, natural	SM2102N	N-39	Pneumatic Corner Connector 40 x 120	SD0143N	M-4
Mounting Plate 80 x 120 x 18, black	SM2102S	N-39	Pneumatic Corner Connector 40 x 160	SD0144N	M-4
Mounting Plate 80 x 120, black	SV4004S	N-26	Pneumatic Corner Connector 40 x 200	SD0145N	M-4
Mounting Plate 80 x 120, natural	SV4004V	N-26	Pneumatic Cross Connector 40 x 80	SD0182N	M-7
Mounting Plate 80 x 120 x 30, for 3D adjustm, unit, dove tail, natural	SM2108N	N-39	Pneumatic Cross Connector 40 x 120	SD0183N	M-7
Mounting Plate 80 x 120 x 30, for 3D adjustm, unit, dove tail, black	SM2108S	N-39	Pneumatic Cross Connector 40 x 160	SD0184N	M-7
Mounting Plate 80 x 120 x 30, for 3D adjustm, unit, slide mech., nat.	SM2106N	N-39	Pneumatic Cross Connector 40 x 200	SD0185N	M-7
Mounting Plate 80 x 120 x 30, for 3D adjustm, unit, slide mech., black	SM2106S	N-39	Pneumatic End Connector 40 x 80	SD0202N	M-3
Mounting Plate 80 x 160 x 18, natural	SM2104N	N-39	Pneumatic End Connector 40 x 120	SD0203N	M-3
Mounting Plate 80 x 160 x 18, black	SM2104S	N-39	Pneumatic End Connector 40 x 160	SD0204N	M-3
Mounting Plate 80 x 160 x 18, natural	SM2105N	N-39	Pneumatic End Connector 40 x 200	SD0205N	M-3
Mounting Plate 80 x 160 x 18, black	SM2105S	N-39	Pneumatic End Plate 40 x 80	SD0122N	M-9
Mounting Plate 90 x 90, natural	SV4134V	N-25	Pneumatic End Plate 40 x 120	SD0123N	M-9
Mounting Plate 100 x 100, natural	SV4142V	N-26	Pneumatic End Plate 40 x 160	SD0124N	M-9
Mounting Plate 100 x 100, black	SV4142S	N-26	Pneumatic End Plate 40 x 200	SD0125N	M-9



Pneumatic End Plate 80 x 160	SD0128N	M-9	Precision Bolt 50 Km 12, short, black	SV1476S	N-27
Pneumatic End Plate 80 x 80	SD0126N	M-9	Precision Bolt 25 M 6, long, black	SV1495S	N-27
Pneumatic End Plate 80 x 80 std. Profile	SD0120N	M-9	Precision Bolt 25 M 6, mid, black	SV1494S	N-27
Pneumatic Fastener 40	SV3500V	D-18	Precision Bolt 25 M 6, short, black	SV1493S	N-27
Pneumatic Joining Connector 40 x 80	SD0152N	M-5	Precision Bolt 40 M 6, long, black	SV1437S	N-27
Pneumatic Joining Connector 40 x 120	SD0153N	M-5	Precision Bolt 40 M 6, mid, black	SV1432S	N-27
Pneumatic Joining Connector 40 x 160	SD0154N	M-5	Precision Bolt 40 M 6, short, black	SV1427S	N-27
Pneumatic Joining Connector 40 x 200	SD0155N	M-5	Precision Bolt 40 M 8, long, black	SV1436S	N-27
Pneumatic Joining Plate 40 x 80	SD0102N	M-8	Precision Bolt 40 M 8, mid, black	SV1431S	N-27
Pneumatic Joining Plate 40 x 120	SD0103N	M-8	Precision Bolt 40 M 8, short, black	SV1426S	N-27
Pneumatic Joining Plate 40 x 160	SD0104N	M-8	Precision Bolt 40 M 10, long, black	SV1435S	N-27
Pneumatic Joining Plate 40 x 200	SD0105N	M-8	Precision Bolt 40 M 10, mid, black	SV1430S	N-27
Pneumatic Joining Plate 80 x 80	SD0112N	M-8	Precision Bolt 40 M 10, short, black	SV1425S	N-27
Pneumatic Joining Plate 80 x 160	SD0114N	M-8	Precision Bolt 50 M 12, long, black	SV1475S	N-27
Pneumatic T-Connector 40 x 80	SD0162N	M-6	Precision Bolt 50 M 12, mid, black	SV1474S	N-27
Pneumatic T-Connector 40 x 120	SD0163N	M-6	Precision Bolt 50 M 12, short, black	SV1473S	N-27
Pneumatic T-Connector 40 x 160	SD0164N	M-6	Precision Bolt 25, short, T - Connection	SV1555V	N-30
Pneumatic T-Connector 40 x 200	SD0165N	M-6	Precision Bolt 25, mid, T - Connection	SV1556V	N-30
Portal Plate 100 x 300/80 x 80	SZ0321S	E-29	Precision Bolt 25, long, T - Connection	SV1557V	N-30
Portal Plate 300 x 300/80 x 80	SZ0322S	E-29	Precision Bolt 40, short, T - Connection	SV1565V	N-30
Portal Plate 350 x 300/80 x 120	SZ0325S	E-29	Precision Bolt 40, mid, T - Connection	SV1566V	N-30
Portal Plate 350 x 350/120 x 120	SZ0337S	E-29	Precision Bolt 40, long, T - Connection	SV1567V	N-30
Portal Plate 400 x 300/80 x 160	SZ0327S	E-29	Precision Bolt 50, short, T - Connection	SV1585V	N-30
Portal Plate 450 x 300/80 x 200	SZ0329S	E-29	Precision Bolt 50, mid, T - Connection	SV1586V	N-30
Polycarbonate 4 mm, clear	SZ1602K	H-6	Precision Bolt 50, long, T - Connection	SV1587V	N-30
Polycarbonate 4 mm, smoked	SZ1602R	H-6	Precision Cross Connection 25, short, natural	SV1550V	N-30
Polycarbonate 5 mm, clear	SZ1603K	H-6	Precision Cross Connection 30, short, natural	SV1570Vs	N-29
Polycarbonate 5 mm, smoked	SZ1603R	H-6	Precision Cross Connection 40, short, natural	SV1560V	N-30
Polycarbonate 6 mm, clear	SZ1604K	H-6	Precision Cross Connection 50, short, natural	SV1580V	N-30
Polycarbonate 6 mm, smoked	SZ1604R	H-6	Precision Cross Connection 50, mid, natural (matrix 25)	SV1551V	N-30
Polycarbonate 8 mm, clear	SZ1605K	H-6	Precision Cross Connection 60, mid, natural	SV1571V	N-29
Polycarbonate 8 mm, smoked	SZ1605R	H-6	Precision Cross Connection 75, long, natural	SV1552V	N-30
Positioning Bolt 25, left, black	SM1216S	N-42	Precision Cross Connection 80, mid, natural	SV1561V	N-30
Positioning Bolt 25, left, natural	SM1216N	N-42	Precision Cross Connection 90, long, natural	SV1572V	N-29
Positioning Bolt 25, right, black	SM1217S	N-42	Precision Cross Connection 100, mid, natural	SV1581V	N-30
Positioning Bolt 25, right, natural	SM1217N	N-42	Precision Cross Connection 120, long, natural	SV1562V	N-30
Positioning Bolt 40, left, black	SM1226S	N-42	Precision Cross Connection 150, long, natural	SV1582V	N-30
Positioning Bolt 40, left, natural	SM1226N	N-42	Precision Fastener Housing 100, black	SV1471S	N-28
Positioning Bolt 40, right, black	SM1227S	N-42	Precision Fastener Housing 120, black	SV1465S	N-28
Positioning Bolt 40, right, natural	SM1227N	N-42	Precision Fastener Housing 150, black	SV1472S	N-28
Positioning Bolt 50, left, natural	SM1236N	N-42	Precision Fastener Housing 25, black	SV1490S	N-28
Positioning Bolt 50, right, natural	SM1237N	N-42	Precision Fastener Housing 40, black	SV1455S	N-28
Positioning Bolt slide 25	SM1266S	N-45	Precision Fastener Housing 50, black	SV1470S	N-28
Positioning Bolt slide 40	SM1276S	N-45	Precision Fastener Housing 50, black (matrix 25)	SV1491S	N-28
Positioning Bolt slide 50	SM1286S	N-45	Precision Fastener Housing 75, black	SV1492S	N-28
Potential Equalizer 30	SZ7001N	D-22	Precision Fastener Housing 80, black	SV1460S	N-28
Potential Equalizer 40	SZ7000N	D-22	Precision Gusset 100 x 100, 12/18, natural	SP6652Y1218	N-21
Precision Adapter 40/25, black	SV4073S	N-26	Precision Gusset 100 x 100, reduced 12/18, black	SP6652W1218	N-23
Precision Adapter 40/25, natural	SV4073N	N-26	Precision Gusset 100 x 100, 16/24, natural	SP6652Y1624	N-21
Precision Adapter 80/50, black	SV4070S	N-26	Precision Gusset 100 x 100, reduced 16/24, black	SP6652W1624	N-23
Precision Adapter 80/50, natural	SV4070N	N-26	Precision Gusset 100 x 100, 20/30, natural	SP6652Y2030	N-22
Precision Bolt 25 Km 6, long, black	SV1498S	N-27	Precision Gusset 100 x 100, reduced 20/30, black	SP6652W2030	N-24
Precision Bolt 25 Km 6, mid, black	SV1497S	N-27	Precision Gusset 100 x 100, 4/6, natural	SP6652Y0406	N-21
Precision Bolt 25 Km 6, short, black	SV1496S	N-27	Precision Gusset 100 x 100, reduced, 4/6, black	SP6652W0406	N-23
Precision Bolt 40 Km 6, long, black	SV1422S	N-27	Precision Gusset 100 x 100, 8/12, natural	SP6652Y0812	N-21
Precision Bolt 40 Km 6, mid, black	SV1417S	N-27	Precision Gusset 100 x 100, reduced 8/12, black	SP6652W0812	N-23
Precision Bolt 40 Km 6, short, black	SV1412S	N-27	Precision Gusset 25 x 25, 11/16, natural	SP6822Y1116	N-22
Precision Bolt 40 Km 8, long, black	SV1421S	N-27	Precision Gusset 25 x 25, 11/16, reduced, black	SP6822W1116	N-24
Precision Bolt 40 Km 8, mid, black	SV1416S	N-27	Precision Gusset 25 x 25, 13/19, natural	SP6822Y1319	N-22
Precision Bolt 40 Km 10, mid, black	SV1415S	N-27	Precision Gusset 25 x 25, 13/19, reduced, black	SP6822W1319	N-24
Precision Bolt 40 Km 8, short, black	SV1411S	N-27	Precision Gusset 25 x 25, 15/22, natural	SP6822Y1522	N-22
Precision Bolt 40 Km 10, long, black	SV1420S	N-27	Precision Gusset 25 x 25, 15/22, reduced, black	SP6822W1522	N-24
Precision Bolt 40 Km 10, short, black	SV1410S	N-27	Precision Gusset 25 x 25, 17/25, natural	SP6822Y1725	N-22
Precision Bolt 50 Km 12, long, black	SV1478S	N-27	Precision Gusset 25 x 25, 17/25, reduced, black	SP6822W1725	N-24
Precision Bolt 50 Km 12, mid, black	SV1477S	N-27	Precision Gusset 25 x 25, 3/4, natural	SP6822Y0304	N-21



Precision Gusset 25 x 25, 3/4, reduced, black	SP6822W0304	N-23	Precision Gusset 40 x 40, 5/7, reduced, black	SP6722W0507	N-23
Precision Gusset 25 x 25, 5/7, natural	SP6822Y0507	N-21	Precision Gusset 40 x 40, 7/10, natural	SP6722Y0710	N-21
Precision Gusset 25 x 25, 5/7, black	SP6822W0507	N-23	Precision Gusset 40 x 40, 7/10, reduced, black	SP6722W0710	N-23
Precision Gusset 25 x 25, 7/10, natural	SP6822Y0710	N-21	Precision Gusset 40 x 40, 9/13, natural	SP6722Y0913	N-21
Precision Gusset 25 x 25, 7/10, reduced, black	SP6822W0710	N-21	Precision Gusset 40 x 40, 9/13, reduced, black	SP6722W0913	N-23
Precision Gusset 25 x 25, 8/13, natural	SP6822Y0913	N-21	Precision Gusset 40 x 80 plane, 11/16, natural	SP6732Y1116	N-22
Precision Gusset 25 x 25, 8/13, reduced, black	SP6822W0913	N-23	Precision Gusset 40 x 80 plane, reduced 11/16, black	SP6732W1116	N-24
Precision Gusset 25 x 50 plane, 11/16, natural	SP6832Y1116	N-22	Precision Gusset 40 x 80 plane, 13/19, natural	SP6732Y1319	N-22
Precision Gusset 25 x 50 plane, reduced, 11/16, black	SP6832W1116	N-24	Precision Gusset 40 x 80 plane, reduced 13/19, black	SP6732W1319	N-24
Precision Gusset 25 x 50 plane, 13/19, natural	SP6832Y1319	N-22	Precision Gusset 40 x 80 plane, 15/22, natural	SP6732Y1522	N-22
Precision Gusset 25 x 50 plane, reduced 13/19, black	SP6832W1319	N-24	Precision Gusset 40 x 80 plane, reduced 15/22, black	SP6732W1522	N-24
Precision Gusset 25 x 50 plane, 15/22, natural	SP6832Y1522	N-22	Precision Gusset 40 x 80 plane, 17/25, natural	SP6732Y1725	N-22
Precision Gusset 25 x 50 plane, reduced 15/22, black	SP6832W1522	N-24	Precision Gusset 40 x 80 plane, reduced, 17/25, black	SP6732W1725	N-24
Precision Gusset 25 x 50 plane, 17/25, natural	SP6832Y1725	N-22	Precision Gusset 40 x 80 plane, 3/4, natural	SP6732Y0304	N-21
Precision Gusset 25 x 50 plane, reduced 17/25, black	SP6832Y1725	N-24	Precision Gusset 40 x 80 plane, reduced, 3/4, black	SP6732W0304	N-23
Precision Gusset 25 x 50 plane, 3/4, natural	SP6832Y0304	N-21	Precision Gusset 40 x 80 plane, 5/7, natural	SP6732Y0507	N-21
Precision Gusset 25 x 50 plane, reduced, 3/4, black	SP6832W0304	N-23	Precision Gusset 40 x 80 plane, reduced 5/7, black, natural	SP6732W0507	N-23
Precision Gusset 25 x 50 plane, 5/7, natural	SP6832Y0507	N-21	Precision Gusset 40 x 80 plane, 7/10, natural	SP6732Y0710	N-21
Precision Gusset 25 x 50 plane, reduced, 5/7, black	SP6832W0507	N-23	Precision Gusset 40 x 80 plane, reduced 7/10, black	SP6732W0710	N-23
Precision Gusset 25 x 50 plane, 7/10, natural	SP6832Y0710	N-21	Precision Gusset 40 x 80 plane, 9/13, natural	SP6732Y0913	N-21
Precision Gusset 25 x 50 plane, reduced 7/10, black	SP6832W0710	N-23	Precision Gusset 40 x 80 plane, reduced 9/13, black	SP6732W0913	N-23
Precision Gusset 25 x 50 plane, 9/13, natural	SP6832Y0913	N-21	Precision Gusset 40 x 80, 12/18, natural	SP6732Y1218	N-21
Precision Gusset 25 x 50 plane, reduced, 9/13, black	SP6832W0913	N-23	Precision Gusset 40 x 80, reduced, 12/18, black	SP6732W1218	N-23
Precision Gusset 25 x 50, 12/18, natural	SP6832Y1218	N-21	Precision Gusset 40 x 80, 16/24, natural	SP6732Y1624	N-21
Precision Gusset 25 x 50, reduced 12/18, black	SP6832W1218	N-23	Precision Gusset 40 x 80, reduced 16/24, black	SP6732W1624	N-23
Precision Gusset 25 x 50, 16/24, natural	SP6832Y1624	N-21	Precision Gusset 40 x 80, 20/30, natural	SP6732Y2030	N-22
Precision Gusset 25 x 50, reduced, 16/24, black	SP6832W1624	N-23	Precision Gusset 40 x 80, reduced, 20/30, black	SP6732W2030	N-24
Precision Gusset 25 x 50, 20/30, natural	SP6832Y2030	N-22	Precision Gusset 40 x 80, 4/6, natural	SP6732Y0406	N-21
Precision Gusset 25 x 50, reduced, 20/30, black	SP6832W2030	N-24	Precision Gusset 40 x 80, reduced 4/6, black	SP6732W0406	N-23
Precision Gusset 25 x 50, 4/6, natural	SP6832Y0406	N-21	Precision Gusset 40 x 80, 8/12, natural	SP6732Y0812	N-21
Precision Gusset 25 x 50, reduced, 4/6, black	SP6832W0406	N-23	Precision Gusset 40 x 80, reduced 8/12, black	SP6732W0812	N-23
Precision Gusset 25 x 50, 8/12, natural	SP6832Y0812	N-21	Precision Gusset 50 x 50, 04/05	SP6622S0405	N-25
Precision Gusset 25 x 50, reduced, 8/12, black	SP6832W0812	N-23	Precision Gusset 50 x 50, 07/09	SP6622S0709	N-25
Precision Gusset 30 x 30, 11/16, natural	SP6922Y1116	N-23	Precision Gusset 50 x 50, 10 / 13	SP6622S1013	N-25
Precision Gusset 30 x 30, 13/19, natural	SP6922Y1319	N-23	Precision Gusset 50 x 50, 13 / 17	SP6622S1317	N-25
Precision Gusset 30 x 30, 15/22, natural	SP6922Y1522	N-23	Precision Gusset 50 x 50, 16 / 21	SP6622S1621	N-25
Precision Gusset 30 x 30, 17/25, natural	SP6922Y1725	N-23	Precision Gusset 50 x 50, 19/25	SP6622S1925	N-25
Precision Gusset 30 x 30, 3/4, natural	SP6922Y0304	N-22	Precision Gusset 50 x 50, 22/29	SP6622S2229	N-25
Precision Gusset 30 x 30, 5/7, natural	SP6922Y0507	N-22	Precision Gusset 50 x 50, 25/33	SP6622S2533	N-25
Precision Gusset 30 x 30, 7/10, natural	SP6922Y0710	N-22	Precision Gusset 50 x 100 plane, 11/16, natural	SP6632Y1116	N-22
Precision Gusset 30 x 30, 9/13, natural	SP6922Y0913	N-23	Precision Gusset 50 x 100 plane, reduced, 11/16, black	SP6632W1116	N-24
Precision Gusset 30 x 60 plane, 11/16, natural	SP6932Y1116	N-22	Precision Gusset 50 x 100 plane, 13/19, natural	SP6632Y1319	N-22
Precision Gusset 30 x 60 plane, 13/19, natural	SP6932Y1319	N-23	Precision Gusset 50 x 100 plane, reduced 13/19, black	SP6632W1319	N-24
Precision Gusset 30 x 60 plane, 15/22, natural	SP6932Y1522	N-23	Precision Gusset 50 x 100 plane, 15/22, natural	SP6632Y1522	N-22
Precision Gusset 30 x 60 plane, 17/25, natural	SP6932Y1725	N-23	Precision Gusset 50 x 100 plane, reduced, 15/22, black	SP6632W1522	N-24
Precision Gusset 30 x 60 plane, 3/4, natural	SP6932Y0304	N-22	Precision Gusset 50 x 100 plane, 17/25, natural	SP6632Y1725	N-22
Precision Gusset 30 x 60 plane, 5/7, natural	SP6932Y0507	N-22	Precision Gusset 50 x 100 plane, reduced 17/25, black	SP6632W1725	N-24
Precision Gusset 30 x 60 plane, 7/10, natural	SP6932Y0710	N-22	Precision Gusset 50 x 100 plane, 3/4, natural	SP6632Y0304	N-21
Precision Gusset 30 x 60 plane, 8/13, natural	SP6932Y0913	N-22	Precision Gusset 50 x 100 plane, reduced 3/4, black	SP6632W0304	N-23
Precision Gusset 30 x 60, 12/18, natural	SP6932Y1218	N-22	Precision Gusset 50 x 100 plane, 5/7, natural	SP6632Y0507	N-21
Precision Gusset 30 x 60, 16/24, natural	SP6932Y1624	N-22	Precision Gusset 50 x 100 plane, reduced 5/7, black	SP6632W0507	N-23
Precision Gusset 30 x 60, 20/30, natural	SP6932Y2030	N-23	Precision Gusset 50 x 100 plane, 7/10, natural	SP6632Y0710	N-21
Precision Gusset 30 x 60, 4/6, natural	SP6932Y0406	N-22	Precision Gusset 50 x 100 plane, reduced, 7/10, black	SP6632W0710	N-23
Precision Gusset 30 x 60, 8/12, natural	SP6932Y0812	N-22	Precision Gusset 50 x 100 plane, 9/13, natural	SP6632Y0913	N-21
Precision Gusset 40 x 40, 11/16, natural	SP6722Y1116	N-22	Precision Gusset 50 x 100 plane, reduced 9/13, black	SP6632W0913	N-23
Precision Gusset 40 x 40, 11/16, reduced, black	SP6722W1116	N-23	Precision Gusset 50 x 100, 12/18, natural	SP6632Y1218	N-21
Precision Gusset 40 x 40, 13/19, natural	SP6722Y1319	N-22	Precision Gusset 50 x 100, reduced, 12/18, black	SP6632W1218	N-23
Precision Gusset 40 x 40, 13/19, reduced, black	SP6722W1319	N-23	Precision Gusset 50 x 100, 16/24, natural	SP6632Y1624	N-21
Precision Gusset 40 x 40, 15/22, natural	SP6722Y1522	N-22	Precision Gusset 50 x 100, reduced 16/24, black	SP6632W1624	N-23
Precision Gusset 40 x 40, 15/22, reduced, black	SP6722W1522	N-23	Precision Gusset 50 x 100, 20/30, natural	SP6632Y2030	N-22
Precision Gusset 40 x 40, 17/25, natural	SP6722Y1725	N-22	Precision Gusset 50 x 100, reduced, 20/30, black	SP6632W2030	N-22
Precision Gusset 40 x 40, 17/25, reduced, black	SP6722W1725	N-23	Precision Gusset 50 x 100, 4/6, natural	SP6632Y0406	N-21
Precision Gusset 40 x 40, 3/4, natural	SP6722Y0304	N-21	Precision Gusset 50 x 100, reduced, 4/6, black	SP6632W0406	N-23
Precision Gusset 40 x 40, 3/4, reduced, black	SP6722W0304	N-23	Precision Gusset 50 x 100, 8/12, natural	SP6632Y0812	N-21
Precision Gusset 40 x 40, 5/7, natural	SP6722Y0507	N-21	Precision Gusset 50 x 100, reduced, 8/12, black	SP6632W0812	N-23

Precision Gusset 50 x 50, 11/16, natural	SP6622Y1116	N-22	Precision Profile 40 x 80, natural, complete machining	SP6733K	N-6
Precision Gusset 50 x 50, 11/16, black	SP6622W1116	N-24	Precision Profile 40 x 80, natural, required bores, top end processing	SP6733N	N-6
Precision Gusset 50 x 50, 12/18, natural	SP6852Y1218	N-21	Precision Profile 50 x 100, natural	SP6631N	N-7
Precision Gusset 50 x 50, 12/18, black	SP6852W1218	N-23	Precision Profile 50 x 100, natural, complete machining	SP6633K	N-7
Precision Gusset 50 x 50, 13/19, natural	SP6622Y1319	N-22	Precision Profile 50 x 100, natural, required bores, top end processing	SP6633N	N-7
Precision Gusset 50 x 50, 13/19, reduced, black	SP6622W1319	N-24	Precision Profile 50 x 50, black, complete machining (R. 25)	SP6853L	N-5
Precision Gusset 50 x 50, 15/22, natural	SP6622Y1522	N-22	Precision Profile 50 x 50, natural	SP6621N	N-7
Precision Gusset 50 x 50, 15/22, reduced, black	SP6622W1522	N-24	Precision Profile 50 x 50, natural (matrix 25)	SP6851N	N-5
Precision Gusset 50 x 50, 16/24, natural	SP6852Y1624	N-21	Precision Profile 50 x 50, natural, complete machining	SP6623K	N-7
Precision Gusset 50 x 50, reduced, 16/24, black	SP6852W1624	N-23	Precision Profile 50 x 50, natural, complete machining (matrix 25)	SP6853K	N-5
Precision Gusset 50 x 50, 17/25, natural	SP6622Y1725	N-22	Precision Profile 50 x 50, natural, required bores, top end proc. (m. 25)	SP6853N	N-5
Precision Gusset 50 x 50, 20/30, natural	SP6852Y2030	N-22	Precision Profile 50 x 50, natural, required bores, top end processing	SP6623N	N-9
Precision Gusset 50 x 50, reduced 20/30, black	SP6852W2030	N-23	Precision Profile 50 x 75, black, complete machining	SP6863L	N-5
Precision Gusset 50 x 50, 3/4, reduced, black	SP6622W0304	N-23	Precision Profile 50 x 75, natural	SP6861N	N-5
Precision Gusset 50 x 50, 4/6, natural	SP6852Y0406	N-21	Precision Profile 50 x 75, natural, complete machining	SP6863K	N-5
Precision Gusset 50 x 50, reduced, 4/6, black	SP6852W0406	N-23	Precision Profile 50 x 75, natural, required bores, top end processing	SP6863N	N-5
Precision Gusset 50 x 50, 5/7, natural	SP6622Y0507	N-21	Precision Profile 60 x 60, natural	SP6951N	N-7
Precision Gusset 50 x 50, 5/7, reduced, black	SP6622W0507	N-23	Precision Profile 60 x 60, natural, complete machining	SP6953K	N-7
Precision Gusset 50 x 50, 7/10, reduced, black	SP6622W0710	N-23	Precision Profile 60 x 60, natural, required bores, top end processing	SP6953N	N-7
Precision Gusset 50 x 50, 8/12, natural	SP6852Y0812	N-21	Precision Profile 60 x 90, natural	SP6961N	N-7
Precision Gusset 50 x 50, reduced 8/12, black	SP6852W0812	N-23	Precision Profile 60 x 90, natural, complete machining	SP6963K	N-7
Precision Gusset 50 x 50, 9/13, natural	SP6622Y0913	N-21	Precision Profile 60 x 90, natural, required bores, top end processing	SP6963N	N-7
Precision Gusset 50 x 50, 9/13, reduced, black	SP6622W0913	N-23	Precision Profile 75 x 75 bridge, black, complete machining	SP6583L	N-5
Precision Gusset 60 x 60, 12/18, natural	SP6952Y1218	N-22	Precision Profile 75 x 75 bridge, natural	SP6581N	N-5
Precision Gusset 60 x 60, 16/24, natural	SP6952Y1624	N-22	Precision Profile 75 x 75 bridge, natural, complete machining	SP6583K	N-5
Precision Gusset 60 x 60, 20/30, natural	SP6952Y2030	N-23	Precision Profile 75 x 75 bridge, natural, required bores, top end proc.	SP6583N	N-5
Precision Gusset 60 x 60, 4/6, natural	SP6952Y0406	N-22	Precision Profile 75 x 75, black, complete machining	SP6873L	N-5
Precision Gusset 60 x 60, 8/12, natural	SP6952Y0812	N-22	Precision Profile 75 x 75, natural	SP6871N	N-5
Precision Gusset 80 x 80, 12/18, natural	SP6752Y1218	N-21	Precision Profile 75 x 75, natural, complete machining	SP6873K	N-5
Precision Gusset 80 x 80, reduced, 12/18, black	SP6752W1218	N-23	Precision Profile 75 x 75, natural, required bores, top end processing	SP6873N	N-5
Precision Gusset 80 x 80, 16/24, natural	SP6752Y1624	N-21	Precision Profile 80 x 120, natural	SP6761N	N-6
Precision Gusset 80 x 80, reduced 16/24, black	SP6752W1624	N-23	Precision Profile 80 x 120, natural, complete machining	SP6763K	N-6
Precision Gusset 80 x 80, 20/30, natural	SP6752Y2030	N-22	Precision Profile 80 x 120, natural, required bores, top end processing	SP6763N	N-6
Precision Gusset 80 x 80, reduced, 20/30, black	SP6752W2030	N-24	Precision Profile 80 x 80, natural	SP6751N	N-6
Precision Gusset 80 x 80, 4/6, natural	SP6752Y0406	N-21	Precision Profile 80 x 80, natural, complete machining	SP6753K	N-6
Precision Gusset 80 x 80, reduced, 4/6, black	SP6752W0406	N-23	Precision Profile 80 x 80, natural, required bores, top end processing	SP6753N	N-6
Precision Gusset 80 x 80, 8/12, natural	SP6752Y0812	N-21	Precision T-Connection 100, mid, natural	SV1586V	N-29
Precision Gusset 80 x 80, reduced, 8/12, black	SP6752W0812	N-23	Precision T-Connection 120, long, natural	SV1567V	N-29
Precision Profile 100 x 100, natural	SP6651N	N-7	Precision T-Connection 150, long, natural	SV1587V	N-29
Precision Profile 100 x 100, natural, complete machining	SP6653K	N-7	Precision T-Connection 25, short, natural	SV1555V	N-29
Precision Profile 100 x 100, natural, required bores, top end proc.	SP6653N	N-7	Precision T-Connection 30, short, natural	SV1575V	N-29
Precision Profile 100 x 150, natural	SP6661N	N-7	Precision T-Connection 40, short, natural	SV1565V	N-29
Precision Profile 100 x 150, natural, complete machining	SP6663K	N-7	Precision T-Connection 50, mid, natural (matrix 25)	SV1556V	N-29
Precision Profile 100 x 150, natural, required bores, top end proc.	SP6663N	N-9	Precision T-Connection 50, short, natural	SV1585V	N-29
Precision Profile 120 x 120 bridge, natural	SP6781N	N-6	Precision T-Connection 60, mid, natural	SV1576V	N-29
Precision Profile 120 x 120 bridge, natural, complete machining	SP6783K	N-6	Precision T-Connection 75, long, natural	SV1557V	N-29
Precision Profile 120 x 120 bridge, natural, required bores, top end p.	SP6783N	N-6	Precision T-Connection 80, mid, natural	SV1566V	N-29
Precision Profile 120 x 120, natural	SP6771N	N-6	Precision T-Connection 90, long, natural	SV1577V	N-29
Precision Profile 120 x 120, natural, complete machining	SP6773K	N-6	Precision swivel arm heavy	SM5527S	N-48
Precision Profile 120 x 120, natural, required bores, top end proc.	SP6773N	N-6	Pressure Fork 40, 18 mm wide, black	SM5595S	N-60
Precision Profile 150 x 150 bridge, natural	SP6691N	N-7	Pressure Fork 40, 28 mm wide, black	SM5596S	N-60
Precision Profile 150 x 150 bridge, natural, complete machining	SP6693K	N-7	Pressure Fork 40, 48 mm wide, black	SM5597S	N-60
Precision Profile 150 x 150 bridge, natural, required bores, top end pr.	SP6693N	N-7	Pressure Fork 40, 38 mm wide, black	SM5598S	N-60
Precision Profile 25 x 25, black, complete machining	SP6823L	N-5	Pressure Fork 40, 34 mm wide, black	SM5599S	N-60
Precision Profile 25 x 25, natural	SP6821N	N-5	Pressure Plate 100 x 100 x 10	SZ0310S	E-28
Precision Profile 25 x 25, natural, complete machining	SP6823K	N-5	Pressure Piece 25, black	SM5435S	N-55
Precision Profile 25 x 25, natural, required bores, top end processing	SP6823N	N-5	Prism 25 x 50 x 100 90°, black	SM5208S	N-57
Precision Profile 25 x 50, black, complete machining	SP6833L	N-5	Prism 25 x 50 x 100 90°, natural	SM5208N	N-57
Precision Profile 25 x 50, natural	SP6831N	N-5	Prism 25 x 50 x 150 120°, black	SM5209S	N-57
Precision Profile 25 x 50, natural, complete machining	SP6833K	N-5	Prism 25 x 50 x 150 120°, natural	SM5209N	N-57
Precision Profile 25 x 50, natural, required bores, top end processing	SP6833N	N-5	Prism Adapter 120°, black	SM5831S	N-66
Precision Profile 40 x 40, natural	SP6721N	N-6	Prism Adapter 120°, natural	SM5831N	N-66
Precision Profile 40 x 40, natural, complete machining	SP6723K	N-6	Prism Adapter 90°, black	SM5830S	N-66
Precision Profile 40 x 40, natural, required bores, top end processing	SP6723N	N-6	Prism Adapter 90°, natural	SM5830N	N-66
Precision Profile 40 x 80, natural	SP6731N	N-6	Prism Adapter Knife 120°, black	SM5832S	N-66



Prism Adapter Knife 120°, natural	SM5832N	N-66	Profile 40 x 40 superlight, natural	SP5601N	C-10
Process Door Profile 200, natural	SX7001N	C-43	Profile 40 x 40 1N semi, natural	SP5481N	C-13
Process Door Profile 40, natural	SX7011N	C-43	Profile 40 x 40 2N 180° light, natural	SP5521N	C-13
Profile 1.0" x 1.0" light, natural	SP9891N	C-33	Profile 40 x 40 2N 180° superlight, natural	SP5631N	C-13
Profile 1.5" x 1.5" light, natural	SP9851N	C-33	Profile 40 x 40 2N 180°, natural	SP6401N	C-12
Profile 1.5" x 1.5", natural	SP9801N	C-33	Profile 40 x 40 2N 90° light, natural	SP5531N	C-13
Profile 1.5" x 3.0" light, natural	SP9861N	C-33	Profile 40 x 40 2N 90° light, black	SP5531S	C-13
Profile 1.5" x 3.0", natural	SP9811N	C-33	Profile 40 x 40 2N 90° superlight, natural	SP5621N	C-13
Profile 10 x 20 mini, natural	SP2121N	C-32	Profile 40 x 40 2N 90°, natural	SP6501N	C-15
Profile 10 x 40 mini, natural	SP2141N	C-32	Profile 40 x 40 3N light, natural	SP5511N	C-16
Profile 13 x 30 midi, natural	SP1651N	C-34	Profile 40 x 40 3N superlight, natural	SP5641N	C-17
Profile 14 x 80 mini, natural	SP2281N	C-32	Profile 40 x 40 3N, natural	SP7101N	C-14
Profile 16 x 40, natural	SP3001N	C-9	Profile 40 x 40, natural	SP4001N	C-10
Profile 16 x 40, black	SP3001S	C-9	Profile 40 x 80 closed	SP5901N	C-12
Profile 16 x 40, light	SP3051S	C-11	Profile 40 x 80 1N, light, natural	SP5681N	C-13
Profile 16 x 80, natural	SP3101N	C-9	Profile 40 x 80 double bridge, natural	SP5301N	C-9
Profile 16 x 80, light	SP3151N	C-11	Profile 40 x 80 light, natural	SP5201N	C-11
Profile 160 x 160, natural	SP7681N	C-9	Profile 40 x 80 open, natural	SP2611N	C-20
Profile 20 x 17,5 mini, natural	SP2150N	C-37	Profile 40 x 80 semi, natural	SP5251N	C-10
Profile 20 x 20 edge mini, natural	SP2081N	C-35	Profile 40 x 80 semi, black	SP5251S	C-10
Profile 20 x 20 mini, natural	SP2001N	C-35	Profile 40 x 80 superlight, natural	SP5701N	C-10
Profile 20 x 20 R 90 mini, natural	SP2071N	C-35	Profile 40 x 80 3N 90° light, natural	SP5571N	C-16
Profile 20 x 200 mini, natural	SP2391N	C-35	Profile 40 x 80 3N, natural	SP7181N	C-15
Profile 20 x 40 mini, natural	SP2201N	C-35	Profile 40 x 80 4N 180° light, natural	SP5551N	C-16
Profile 20 x 60 mini, natural	SP2211N	C-35	Profile 40 x 80 4N 270° light, natural	SP5561N	C-16
Profile 20 x 80 mini, natural	SP2221N	C-35	Profile 40 x 80 4N, natural	SP6801N	C-15
Profile 20 x 120 light, natural	SP3501N	C-11	Profile 40 x 80 5N light, natural	SP5541N	C-16
Profile 20 x 240 light, natural	SP3601N	C-11	Profile 40 x 80 5N, natural	SP6901N	C-15
Profile 28 x 120, natural	SP3301N	C-9	Profile 40 x 80, natural	SP4201N	C-7
Profile 28 x 160, natural	SP3401N	C-9	Profile 60 x 60 4N midi, natural	SP1731N	C-36
Profile 28 x 200, natural	SP3450N	C-9	Profile 60 x 60 midi, natural	SP1621N	C-35
Profile 3.0 x 3.0, natural	SP9821N	C-33	Profile 60 x 60 heavy, natural	SP1721N	C-35
Profile 30 x 30 edge midi, natural	SP1511N	C-34	Profile 80 edge, natural	SX3101N	C-39
Profile 30 x 30 midi, natural	SP1501N	C-35	Profile 80 x 120 light, natural	SP5421N	C-11
Profile 30 x 30 1N midi, natural	SP1491N	C-34	Profile 80 x 120, natural	SP8501N	C-7
Profile 30 x 30 2N 180° midi, natural	SP1611N	C-34	Profile 80 x 160 bridge, natural	SP8701N	C-7
Profile 30 x 30 2N 90° midi, natural	SP1521N	C-34	Profile 80 x 160 light, natural	SP5441N	C-11
Profile 30 x 30 3N midi, natural	SP1531N	C-34	Profile 80 x 160 round NV, natural	SP8251N	C-7
Profile 30 x 60 midi, natural	SP1591N	C-35	Profile 80 x 160 round, natural	SP8201N	C-7
Profile 30 x 60 R 90 midi, natural	SP1601N	C-34	Profile 80 x 200, natural	SP8601N	C-7
Profile 30 x 60 3N midi, natural	SP1711N	C-34	Profile 80 x 80 double bridge, natural	SP5501N	C-9
Profile 30 x 60 5N midi, natural	SP1701N	C-34	Profile 80 x 80 7N double bridge, natural	SP5471N	C-9
Profile 30 x 60 30° midi, natural	SP1661N	C-35	Profile 80 x 80 bridge, natural	SP8101N	C-7
Profile 30 x 60 45° midi, natural	SP1671N	C-35	Profile 80 x 80 double bridge, natural	SP5501N	C-9
Profile 30 x 60 60° midi, natural	SP1681N	C-35	Profile 80 x 80 edge 7N double bridge, natural	SP5471N	C-9
Profile 40 M, natural	SX2501N	C-40	Profile 80 x 80 edge, natural	SP8051N	C-12
Profile 40 MV, natural	SX2601N	C-40	Profile 80 x 80 light, natural	SP5401N	C-11
Profile 40 MV focus, natural	SX2701N	C-40	Profile 80 x 80 open, natural	SP2621N	C-20
Profile 40 V, natural	SX1501N	C-40	Profile 80 x 80 round, natural	SP8001N	C-7
Profile 40 V-8, natural	SX1601N	C-40	Profile 80 x 80 semi, natural	SP5451N	C-10
Profile 40 x 120 double bridge, natural	SP5221N	C-9	Profile 80 x 80 superlight, natural	SP5801N	C-10
Profile 40 x 120 semi, natural	SP4451N	C-11	Profile 80 x 80 filled, natural	SP8801N	C-7
Profile 40 x 120, natural	SP4401N	C-7	Profile 80 x 80 4N 90° light, natural	SP5591N	C-13
Profile 40 x 160 semi, natural	SP4651N	C-10	Profile 80 x 80 4N 90°, natural	SP6701N	C-12
Profile 40 x 160, natural	SP4601N	C-7	Profile 80 x 80 6N light, natural	SP5581N	C-12
Profile 40 x 200 semi, natural	SP5351N	C-10	Profile 80 x 80 6N, natural	SP6601N	C-15
Profile 40 x 200, natural	SP4701N	C-7	Profile 80 x 80, natural	SP8401N	C-10
Profile 40 x 40 double bridge, natural	SP5101N	C-9	Profile 120 edge, natural	SX3001N	C-39
Profile 40 x 40 edge superlight, natural	SP5671N	C-10	Profile 120 x 120 NV, natural	SP7661N	C-8
Profile 40 x 40 edge, natural	SP7201N	C-11	Profile 120 x 120, natural	SP7651N	C-8
Profile 40 x 40 light, natural	SP5001N	C-11	Profile 120 x 160, natural	SP7671N	C-8
Profile 40 x 40 mini, natural	SP2401N	C-44	Profile 200 M, natural	SX1001N	C-39
Profile 40 x 40 R 90, natural	SP7211N	C-11	Profile 200 MV focus, natural	SX1401N	C-40
Profile 40 x 40 semi, natural	SP5051N	C-10	Profile 200 MV, natural	SX2401N	C-40
Profile 40 x 40 semi, black	SP5051S	C-10	Profile 200 V, natural	SX2001N	C-39







Return Roller	ST1500N	J-7
Return Unit, lower part	SP9971N	C-44
Return Unit, upper part	SP9981N	C-44
Ring Bolt M 12	SS0010V	N-31
Ring Bolt M 16	SS0012V	N-31
Ring Bolt rotating M 12	SS0050V	N-31
Ring Bolt rotating M 16	SS0051V	N-31
Ring Thread M 24 x 1, black	SM5816S	N-66
Ring Thread M 24 x 1, natural	SM5816N	N-66
Roller, POM	SZ2220S	E-42
Roller, POM, Ø 24	SZ2210S	E-42
Roller, POM, Ø 29	SZ2230S	E-42
Roller 16	SL0155G	G-23
Roller 16, corrosion-resistant	SL0155N	G-23
Roller 25	SL0157G	G-23
Roller 100 / 120	SL0140S	G-36
Roller 100 / 120 steel	SL0141G	G-36
Roller Axle 100 / 120 steel, concentric	SL0130V	G-36
Roller Axle 100 / 120 steel, excentric	SL0131V	G-36
Roller Axle 100 / 120, concentric	SL0133V	G-36
Roller Axle 100 / 120, excentric	SL0132V	G-36
Roller Axle 16, concentric	SL0152S	G-23
Roller Axle 16, excentric	SL0153S	G-23
Roller Axle 25, concentric	SL0154Z	G-23
Roller Axle 25, excentric	SL0154E	G-23
Roller Axle 80 / 90, concentric	SL0110V	G-34
Roller Axle 80 / 90 VU, concentric	SL0115V	G-34
Roller Axle 80 / 90, excentric	SL0120V	G-34
Roller Axle 80 / 90 VU, excentric	SL0125V	G-34
Roller Axle C-Carriage 80 Z	SL0150Z	G-32
Roller Axle C-Double Carriage 80 E	SL0150 E	G-32
Roller Axle C-Single Carriage 80 E	SL0151E	G-32
Roller C 30 / 43 POM	SL0161S	G-32
Roller C 40 / 100 POM	SL0159S	G-32
Roller C 40 / 57 POM	SL0160S	G-32
Roller C 80 / 100 POM	SL0158S	G-32
Roller C 80 / 100 POM, straight	SL0156S	G-32
Roller Conveyor Profile 40 x 120, natural	SP0801N	C-20
Roller Door Connector Profile, natural	SP0731N	C-24
Roller Door Connector Profile 10, natural	SP0681N	C-24
Roller Door End Profile 10, natural	SP0771N	C-24
Roller Door End Profile, natural	SP0711N	C-24
Roller Door Profile, natural	SP0721N	C-24
Roller Door Profile 10 x 40, natural	SP0671N	C-24
Roller Door Side Track Profile, natural	SP0741N	C-24
Roller F 80 / 90	SL0130S	G-34
Roller F 80 / 90 VU	SL0135V	G-34
Roller Housing 40	SZ2620N	E-31
Roller Housing 80	SZ2640N	E-31
Roller Protective Cover 200, conveyor	ST5012N	J-10
Roller Protective Cover 40, conveyor	ST5010N	J-10
Roller Protective Cover 80 / 150	ST5002N	J-12
Roller Protective Cover 80 / 50	ST5000N	J-12
Roller Slide 25 x 50 x 75, floating, incl. end stop, black	SM1211S	N-41
Roller Slide 25 x 50 x 75, floating, incl. end stop, natural	SM1211N	N-41
Roller Slide 25 x 50 x 75, with screw spindle, black	SM1210S	N-40
Roller Slide 25 x 50 x 75, with screw spindle, natural	SM1210N	N-40
Roller Slide 40 x 80 x 120, floating, incl. end stop, black	SM1221S	N-41
Roller Slide 40 x 80 x 120, floating, incl. end stop, natural	SM1221N	N-41
Roller Slide 40 x 80 x 120, with screw spindle, black	SM1220S	N-40
Roller Slide 40 x 80 x 120, with screw spindle, natural	SM1220N	N-40
Roller Slide 50 x 100 x 100, floating, incl. end stop, natural	SM1231N	N-41
Roller Slide 50 x 100 x 100, with screw spindle, natural	SM1230N	N-40
RollerSlide, 50 x 75 x 25, with srew spindle, black	SM1260S	N-43
RollerSlide, 80 x 120 x 40, with srew spindle, black	SM1270S	N-43

RollerSlide, 100 x 150 x 50, with srew spindle, black	SM1280S	N-43
RollerSlide, 50 x 75 x 25, floating, black	SM1261S	N-44
RollerSlide, 80 x 120 x 40, floating, black	SM1271S	N-44
RollerSlide, 100 x 150 x 50, floating, black	SM1281S	N-44
Rotary Table Star Profile Ø 116, natural	SX7451N	C-51
Rotary Table Profile Ø 4700, natural	SX7351N	C-51
Round Corner 20	SZ5060N	E-26
Round Corner 30	SZ5055N	E-26
Round Corner 40	SZ5050N	E-26
Round Corner 80	SZ5045N	E-26
Round Precision Gusset Al, 245-325, black	SM6901S	N-25
Round Precision Gusset Al, 245-325, natural	SM6901N	N-25
Round Precision Gusset Al, 295-395, black	SM6902S	N-25
Round Precision Gusset Al, 295-395, natural	SM6902N	N-25
Round Precision Gusset Al, variable length, black	SM6903S	N-25
Round Precision Gusset Al, variable length, natural	SM6903N	N-25
Round Precision Gusset VA, 260-290	SM6905N	N-25
Round Precision Gusset VA, 290-320	SM6906N	N-25
Round Precision Gusset VA, variable length	SM6907N	N-25
Rubber Boot Ø 79	SZ1701S	E-14

**S**

Safety Interlock, with one contact	SZ0510S	E-57
Safety Interlock, with two contacts	SZ0512S	E-57
Sanding Block	SZ6001V	O-6
Screw Connection	SM3740V	N-55
Screw Connection	SM3745V	N-55
Screw Joint, 1 axis positioning, 16 H 7 (L1)	SM3720V	N-55
Screw Joint, 1 axis positioning, 16 H 7 (L2)	SM3725V	N-55
Screw Joint, 1 axis positioning, 20 H 7 (L1)	SM3730V	N-55
Screw Joint, 1 axis positioning, 20 H 7 (L2)	SM3735V	N-55
Screw Joint, 2 axis positioning, 16 H 7 (L1)	SM3700V	N-55
Screw Joint, 2 axis positioning, 16 H 7 (L2)	SM3705V	N-55
Screw Joint, 2 axis positioning, 20 H 7 (L1)	SM3710V	N-55
Screw Joint, 2 axis positioning, 20 H 7 (L2)	SM3715V	N-55
Sealing Rubber 30 4 mm	SZ1903S	E-52
Sealing Rubber 30 6 mm	SZ1902S	E-52
Sealing Rubber 40 4 mm	SZ1901S	E-52
Sealing Rubber 40 6 mm	SZ1900S	E-52
Security Washer Ø 4 mm	SS8204V	O-6
Security Washer Ø 5 mm	SS8205V	O-6
Security Washer Ø 6 mm	SS8206V	O-6
Security Washer Ø 8 mm	SS8208V	O-6
Segment Door Profile 120 x 42.5	SX7801N	C-50
Segment Door Profile 120 x 66.5	SX7811N	C-50
Segment Door Profile 80 x 42.5	SX7821N	C-50
Self Center, with spring-loaded cylindrical top, black	SM5838S	N-66
Self Center, with spring-loaded cylindrical top, natural	SM5838N	N-66
Self Center, with spring-loaded cylindrical portion, black	SM5839S	N-66
Self Center, with spring-loaded cylindrical portion, natural	SM5839N	N-66
Set Of Shoot Bolts	SZ0450V	E-56
Shaft Oil	SZ6003V	O-6
Shim X / Y 30 x 19	SM1110N	N-37
Shim Z 37 x 37	SM1111N	N-37
Shim X / Y 43 x 30	SM1112N	N-37
Shim 78 x 78	SM1115N	N-34
Shim 48 x 48	SM1114N	N-34
Short Step Drill 180° M 5	SZ6205S	O-2
Short Step Drill 180° M 6	SZ6206S	O-2
Short Step Drill 180° M 8	SZ6208S	O-2
Shutter Door Cover bottom, shell, natural	SX7181N	C-45
Shutter Door Cover top, shell, natural	SX7191N	C-45
Shutter Door Cover, Wall bottom, natural	SX7251N	C-45
Shutter Door Cover, natural	SX7201N	C-45
Shutter Door Cover, Wall top, natural	SX7261N	C-45

Shutter Door Enclosure Profile	SX8181N	C-49	Spring-Loaded Pressure Piece	SM5594S	N-60
Shutter Door Guidance 1 Profile, natural	SX8601N	C-44	Square T-Nut M4	SV2178N	D-5
Shutter Door Guidance 2 Profile, natural	SX7701N	C-44	Square T-Nut M5	SV2179N	D-5
Shutter Door Security Profile, natural	SX8191N	C-49	Square T-Nut M6	SV2180N	D-5
Single Carriage C 40/100 140/3, natural	SL9005N	G-30	Stabilizing Roller, horizontal profile	SZ8045S	E-43
Single Carriage C 40/100 280/4, natural	SL9006N	G-30	Stabilizing Roller, vertical profile	SZ8044S	E-43
Single Carriage C 80/100 140/3, natural	SL9002N	G-30	Standard Connector 20	SV1912V	D-17
Single Carriage C 80/100 280/4, natural	SL9003N	G-30	Standard Connector 30	SV1910V	D-15
Single Carriage Profile C 40/100, natural	SP1221N	C-28	Standard Connector 40	SV1900V	D-11
Single Carriage Profile C 80/100, natural	SP1201N	C-28	Standard Connector Set 20	SV1914V	D-17
Single Sliding Door For Frame Element 60 x 80	SZ8140N	H-39	Standard Connector Set 20 VA (rostfrei)	SV1915V	D-17
Single Sliding Door For Frame Element 80 x 80	SZ8141N	H-40	Standard Connector Set 30	SV1911V	D-15
Slide End Stop 25, black	SM1214S	N-42	Standard Connector Set 40	SV1902V	D-11
Slide End Stop 25, natural	SM1214N	N-42	Standard Connector Set 40	SV1915V	D-10
Slide End Stop 40, black	SM1224S	N-42	Steel Strap	SL0187G	G-36
Slide End Stop 40, natural	SM1224N	N-42	Steering Castor Ø 75, rubber	SF2300V	E-22
Slide End Stop 50, natural	SM1234N	N-42	Steering Castor Ø 75, rubber, fixable	SF2302V	E-22
Slide end stop 25	SM1264S	N-45	Steering Castor Ø 125, rubber	SF2310V	E-22
Slide end stop 40	SM1274S	N-45	Steering Castor Ø 125, rubber, fixable	SF2312V	E-22
Slide end stop 50	SM1284S	N-45	Step Fastener 200, natural	SV3200N	D-21
Slide Rail For Sliding Door Profile	SZ1310S	E-38	Step Fastener 250, natural	SV3202N	D-21
Slide Shaft Tension Jack	SM5586V	N-37	Step Fastener 300, natural	SV3205N	D-21
Slide Springs 25, black	SM1215S	N-42	Step Profile 43 x 100, natural	SP0611N	C-23
Slide Springs 25, natural	SM1215N	N-42	Step Profile 43 x 150, natural	SP0621N	C-23
Slide Springs 40, black	SM1225S	N-42	Step Shaft Ø 40 to Ø 20	SL8250N	G-13
Slide Springs 40, natural	SM1225N	N-42	Strap For Shaft, 70 mm, drilling template, black	SM5641S	N-49
Slide Springs 50, natural	SM1235N	N-42	Strap For Shaft, 70 mm, drilling template, natural	SM5641N	N-49
Slide Spring 25	SM1268S	N-45	Strap For Shaft, 90 mm, drilling template, black	SM5642S	N-49
Slide Spring 40	SM1278S	N-45	Strap For Shaft, 90 mm, drilling template, natural	SM5642N	N-49
Slide Spring 50	SM1288S	N-45	Strap For Shaft, 110 mm, drilling template, black	SM5643S	N-49
Slide Spring adjustable 25	SM1265S	N-45	Strap For Shaft, 110 mm, drilling template, natural	SM5643N	N-49
Slide Spring adjustable 40	SM1275S	N-45	Strap For Shaft, 130 mm, drilling template, black	SM5644S	N-49
Slide Spring adjustable 50	SM1285S	N-45	Strap For Shaft, 130 mm, drilling template, natural	SM5644N	N-49
Sliding Door, double-winged	SS4000N	I-11	Strap For Shaft, 150 mm, drilling template, black	SM5645S	N-49
Sliding Door Kit, with super structure	SZ8023N	H-19	Strap For Shaft, 150 mm, drilling template, natural	SM5645N	N-49
Sliding Door Kit, without super structure	SZ8025N	H-20	Strap 40 x 80, steel	SZ0960S	E-34
Sliding Door Profile 40, natural	SP0401N	C-19	Strap 40 x 120, steel	SZ0961S	E-34
Sliding Process Door bottom, natural	SX7141N	C-46	Strap 80 x 80, steel	SZ0962S	E-34
Sliding Process Door Enclosure middle, natural	SX7111N	C-46	Socket Element 1	SZ0880S	E-32
Sliding Process Door Enclosure Profile side, natural	SX7161N	C-46	Socket Element 2	SZ0881S	E-32
Sliding Process Door Enclosure Profile, natural	SX7171N	C-46	Support Angle 100 12/23, grooved	SZ5200N	K-7
Sliding Process Door side fixed, natural	SX7121N	C-46	Support Angle 100 12/23, ungrooved	SZ5210N	K-7
Sliding Process Door side, natural	SX7151N	C-46	Support Angle 100 24/35, grooved	SZ5202N	K-7
Sliding Process Door top, natural	SX7131N	C-46	Support Angle 100 24/35, ungrooved	SZ5212N	K-7
Slot Profile 40, black	SZ1820N	E-53	Support Angle 50 12/23, grooved	SZ5201N	K-7
Slot Profile 40, natural	SZ1820S	E-53	Support Angle 50 12/23, ungrooved	SZ5211N	K-7
Spacer Ø 30	SM2200N00XX	N-38	Support Angle 50 24/35, grooved	SZ5203N	K-7
Spacer Ø 50	SM2202N00XX	N-38	Support Angle 50 24/35, ungrooved	SZ5213N	K-7
Spacer Adjustment Screw	SM5116S	N-58	Support Rail For Table Profile	SP0501N	C-24
Special Fastener 120	SV3100V	D-22	Sword Bolt	SM3852V	N-55
Special Fastener 120	SV3100V	G-29	System Glider 40/60	SZ1300S	E-39
Special T-Nut	SV2060V	D-18	System Glider 40	SZ1330S	E-39
Specification Plate 76 x 76, black	SM3201S	N-32	System Glider 40, fixable	SZ1333S	E-39
Specification Plate 76 x 230, black	SM3202S	N-32	System Glider 40, offset	SZ1335S	E-39
Specification Plate 79 x 79 x 5 PA	SM3203S	N-32	System Glider 40, offset, fixable	SZ1338S	E-39
Specification Plate 39 x 79 x 5 PA	SM3205S	N-32	System Plate 120 x 160 Ø 9	SZ0160V	E-16
Specification Plate 49 x 49 x 5 PA	SM3204S	N-32	System Plate 160 x 240 Ø 9	SZ0166V	E-16
Specification ring binding 130 x 75	SM3210S	N-32			
Specification ring binding 130 x 125	SM3211S	N-32			
Specification ring binding 130 x 25	SM3212S	N-32			
Specification ring binding 130 x 30	SM3213S	N-32			
Door Catch 20	SZ0401Z	E-57	<b>T</b>		
Spring Door Catch 30	SZ0403Z	E-57	Table Corner 45°, natural	SZ5040N	K-8
Spring Door Catch 40	SZ0402Z	E-57	Table Corner, natural	SZ5042N	K-8
Spring Hook	SZ1210V	E-40	Table Profile 40 x 40, natural	SP7001N	C-24
			Table Profile 40 x 40, natural	SP7001N	K-6
			Table Profile 40 x 80, natural	SP2501N	C-24
			Table Profile 40 x 80, natural	SP2501N	K-6



Take-Off Unit, pin length 114 mm, black	SM6110S	N-40	Top Section Adapter, offset, 180°, natural	SM5836N	N-66
Take-Off Unit, draggable, pin length 110 mm, black	SM6110S	N-40	Top Section Adapter, offset, 90°, black	SM5835S	N-66
Take-Off Unit, draggable, pin length 110 mm, black	SM6111S	N-40	Top Section Adapter, offset, 90°, natural	SM5835N	N-66
Take-Off Unit, short, grinding comb pin length 88 mm, black	SM6112S	N-40	Track Profile 20 x 20, natural	SP2301N	C-30
Take-Off Unit, short, pin length 88 mm, black	SM6113S	N-40	Track Profile 120x120, natural	SP7621N	C-30
Take-OFF unit, draggable / shim pin length 130mm	SM6116S	N-41	Track Profile 16 40 x 40, natural	SP4101N	C-26
Tear-Off Profile 40 x 40 R90, closed	SP7221N	C-14	Track Profile 16 40 x 80 / 40, natural	SP4301N	C-26
Tear-Off Profile 40 x 40 R90	SP3931N	C-14	Track Profile 16 40 x 80 / 80, natural	SP4901N	C-26
Tear-Off Profile 40 x 40 0 / 4N, natural	SP3901N	C-14	Track Profile 16 80 x 80 open, natural	SP8351N	C-26
Tear-Off Profile 40 x 80 0 / 6N, natural	SP3911N	C-14	Track Profile 16 80 x 80, natural	SP8301N	C-26
Tear-Off Profile 80 x 80 0 / 8N, natural	SP3921N	C-14	Track Profile 16 80 x 120, natural	SP8901N	C-26
Telescope Axis 16 – 40 x 80 x 80 + 40 x 80 x 80 / 200 / G 50	SL5400N	F-31	Track Profile 16 80 x 120 8N, natural	SP8951N	C-26
Telescope Profile Ø 34.5	SP1901N	C-25	Track Profile 25 120 x 120, natural	SP0901N	C-28
Telescope Profile 40 x 40	SP3701N	C-25	Track Profile 25 40 x 40, natural	SP0851N	C-28
Telescope Connection Set	SZ1350N	E-38	Track Profile 25 80 x 160, natural	SP0921N	C-28
Telescope Locking Set	SZ1360N	E-38	Track Profile 25 80 x 80, natural	SP0911N	C-28
Tensioning Plate Telescope Axis	SL0209S	N-20	Track Profile 60 x 80, natural	SP1401N	C-31
Tension And Measure Surface, stroke 3 mm	SM5130S	N-59	Track Profile 80 x 85, natural	SP8971N	C-31
Tension And Measure Surface, stroke 3 mm, bevelled	SM5132S	N-59	Track Profile 100 x 120, natural	SP1421N	C-32
Tent Profile, natural	SP0701N	C-19	Track Profile C 30 / 43, natural	SP1061N	C-30
Timing Belt AT 10 / 22	SL8500	G-22	Track Profile C 40 / 100, natural	SP1021N	C-30
Timing Belt AT 10 / 50	SL8510	G-22	Track Profile C 40 / 57, natural	SP1041N	C-30
Timing Belt AT 10 / 75	SL8520	G-22	Track Profile C 80 / 100, natural	SP1001N	C-31
Timing Belt AT 3 / 10	SL8550	G-22	Trapezoidal Screw Actuator 16 – 80 x 80 open / 140T	SL7003N	F-32
Timing Belt AT 5 / 16	SL8560	G-22	Trapezoidal Screw Actuator 16 – 80 x 80 open / 200 / T	SL7008N	F-32
Timing Belt Clamp Profile	SX7831N	C-16	Trapezoidal Screw Actuator 16 – 80 x 80 open / 200 sl / T	SL7018N	F-32
Timing Belt Gearbox AT 10 / 50 1:1	SL5828N	G-12	Trapezoidal Screw Actuator 16 – 80 x 80 open / 280 / T	SL7013N	F-32
Timing Belt Tensioner 22, external	SL0190S	G-20	Trapezoidal Screw Actuator 16 – 80 x 80 open / xxx / T	SL7023N	F-32
Timing Belt Tensioner 22, external ZB	SL0198S	G-20	Tread Plate Profile 40 W, natural	SP0661N	C-23
Timing Belt Tensioner 25 / 280 AT 10 / 50	SL0230N	G-19	Tread Plate Profile 40, natural	SP0641N	C-23
Timing Belt Tensioner 25 / 360 AT 10 / 50	SL0232N	G-19	Tread Plate Profile 80 W, natural	SP0651N	C-23
Timing Belt Tensioner 25 / 320 AT 10 / 75	SL0234N	G-19	Tread Plate Profile 80, natural	SP0631N	C-23
Timing Belt Tensioner 50, external	SL0191S	G-20	Turntable 40, natural	SA5225N	L-4
Timing Belt Tensioner 50, external ZB	SL0199S	G-20	Turntable 80 open	SA5250N	L-4
Timing Belt Tensioner 80 / 90	SL0180S	G-33	Turntable 80, natural	SA5215N	L-4
Timing Belt Tensioner 120 x 120 45°	SL0185S	G-35	Turntable Enclosure Profile, natural	SX7301N	C-44
Timing Belt Tensioner AT 10 / 22	SL0174N	G-19	Turntable Set 40, natural	SA5220N	L-6
Timing Belt Tensioner AT 10 / 50	SL0175N	G-19	Turntable Set 80, black	SA5210S	L-6
Timing Belt Tensioner C 40 / 100	SL0241N	G-32	Turntable Set 80, natural	SA5210N	L-6
Timing Belt Tensioner C 40 / 57	SL0240N	G-32	Turntable Star Profile, natural	SX7401N	C-44
Timing Belt Tensioner C 80 / 100	SL0242N	G-32	T-Nut 1 / 4" ball-type, push-in	SV2860V	D-4
Timing Pulley Profile P 28 AT 10, natural	SP0101N	C-35	T-Nut 1 / 4" ball-type, slide-in	SV2810V	D-4
Timing Pulley Profile P 53 AT 10, natural	SP0161N	C-35	T-Nut 5 / 16" ball-type, push-in	SV2850V	D-4
Timing Belt Conveyor Profile 60 x 120, natural	SP0821N	C-20	T-Nut 5 / 16" ball-type, slide-in	SV2800V	D-4
Toggle Clamp 25, 6832B-1	SM5430S	N-61	T-Nut M 3 steel / PA	SV2145S	D-5
Toggle Clamp 25, 6835B-2	SM5431S	N-61	T-Nut M 3 / ball-type, push-in	SV2110V	D-4
Toggle Clamp 25, 6835BS-2	SM5432S	N-61	T-Nut M 4 mini	SV2192V	D-5
Toggle Clamp 25, 6835BS-3	SM5433S	N-61	T-Nut M 4 steel / PA	SV2146S	D-5
Toggle Clamp 25, 227-U	SM5423S	N-61	T-Nut M 4 / ball-type, push-in	SV2112V	D-4
Toggle Clamp 40, horizontal	SM5580V	N-53	T-Nut M 5 mini	SV2193V	D-5
Toggle Clamp 40, vertical	SM5582V	N-53	T-Nut M 5 steel / PA	SV2147S	D-5
Tooling Mounting Bracket 25, natural	SZ1410N	N-31	T-Nut M 5 / ball-type, push-in	SV2100V	D-4
Tooling Mounting Bracket 40, with drilling template, black	SZ1406S	N-31	T-Nut M 5 / ball-type, slide-in	SV2000V	D-4
Tooling Mounting Bracket 40, with drilling template, natural	SZ1406N	N-31	T-Nut M 5, push-in	SV2150V	D-4
Tooling Mounting Bracket 40, black	SZ1405S	N-31	T-Nut M 5, slide-in	SV2050V	D-4
Tooling Mounting Bracket 40, natural	SZ1405N	N-31	T-Nut M 6 steel / PA	SV2148S	D-5
Tooling Mounting Bracket 50, natural	SZ1403N	N-31	T-Nut M 6 / ball-type, push-in	SV2101V	D-4
Top End Plate 75 x 75, black	SM1014S	N-32	T-Nut M 6 / ball-type, slide-in	SV2001V	D-4
Top End Plate 75 x 75, natural	SM1014N	N-32	T-Nut M 6, push-in	SV2151V	D-4
Top End Plate 120 x 120, black	SM1016S	N-32	T-Nut M 6, slide-in	SV2051V	D-4
Top End Plate 120 x 120, natural	SM1016N	N-32	T-Nut M 8 / ball-type, push-in	SV2102V	D-4
Top End Plate 150 x 150, natural	SM1017N	N-32	T-Nut M 8 / ball-type, slide-in	SV2002V	D-4
Top Section Adapter, offset, 180°, black	SM5836S	N-66	T-Nut M 8 / ball-type, slide-in S	SV2003V	D-4



T-Nut Profile, slide-in	SV2571V	D-20
T-Nut M 8, push-in	SV2152V	D-4
T-Nut M 8, slide-in	SV2052V	D-4
T-Nut Profile mini	SV2581V	D-20
T-Nut Profile, aluminum, push-in	SV2561N	D-20
T-Nut Profile, aluminum, slide-in	SV2571N	D-20
T-Nut Profile, push-in	SV2561V	D-20

### U

Universal Fastener 20	SV1804V	D-16
Universal Fastener 30	SV1802V	D-14
Universal Fastener 40	SV1800V	D-10
Universal Fastener set 20	SV1805V	D-16
Universal Fastener set 30	SV1803V	D-14
Universal Fastener set 40	SV1801V	D-10
U-Profile Gearbox Housing, natural	SP9951N	C-27
U-Profile Mounting 80, natural	SP9901N	C-27
Up-adjuster	SM5120V	N-58
Up-adjuster - resettable	SM5121V	N-58

### V

Adjustment Unit (3D) 50 x 50, with Slide Mech., black	SM1000S	N-21
Adjustment Unit (3D) 50 x 50, with Slide Mech., natural	SM1000N	N-21
Adjustment Unit (3D) 80 x 80, with Slide Mech., natural	SM1004N	N-21
Vertical Adjuster	ST4010V	E-26
Vertical Fastener	SM5582V	N-37
Vertical Fastener, with foot	SM5584V	N-37
Vertical Lift Door, double-winged	SS4009N	I-10
Vertical Lift Door bottom, natural	SX8141N	C-47
Vertical Lift Door Carriage Profile, natural	SX8201N	C-47
Vertical Lift Door Door Enclosure bottom, natural	SX8151N	C-48
Vertical Lift Door Door Enclosure side, natural	SX8161N	C-48
Vertical Lift Door Door Enclosure top, natural	SX8171N	C-47
Vertical Lift Door Enclosure, natural	SX8181N	C-49
Vertical Lift Door Seal Profile bottom, natural	SX8361N	C-48
Vertical Lift Door Seal Profile top, natural	SX8371N	C-47
Vertical Lift Door top, natural	SX8131N	C-47

### W

Wedge Adapter 60°, black	SM5833S	N-66
Wedge Adapter 60°, natural	SM5833N	N-66
Wedge Sealing 4	SZ1916N	E-52
Weld Mesh 4 x 40, black	SZ1645S	H-9
Weld Mesh 4 x 40, zinc-plated	SZ1645V	H-9
Wiper And Lubrication System 16 S	SL0166S	G-18
Wiper And Lubrication System 160	SL0162S	G-18
Wiper And Lubrication System 200	SL0164S	G-18
Wiper And Lubrication System 200 E	SL0165S	G-18
Wiper And Lubrication System 280	SL0167S	G-18
Wiper And Lubrication System 320	SL0168S	G-18
Wiper And Lubrication System 360	SL0169S	G-18
Wiring Duct 16 x 40, natural	SP1301N	C-21
Wiring Duct 16 x 40, natural	SP1301N	L-2
Wiring Duct 30 x 30, natural	SP1251N	C-22
Wiring Duct 40 x 40, natural	SP1311N	C-21
Wiring Duct 40 x 40, natural	SP1311N	L-2
Wiring Duct 40 x 80, natural	SP1321N	C-21
Wiring Duct 40 x 80, natural	SP1321N	L-2
Wiring Duct 42 x 60, natural	SP6391N	C-17
Wiring Duct 80 x 80, natural	SP1331N	C-21
Wiring Duct 30 x 60, natural	SP1261N	C-22
Wiring Duct 60 x 60, natural	SP1271N	C-22

Wiring Duct 80 x 80, natural	SP1331N	L-3
Wiring Duct 80 x 120, natural	SP1331N	C-21
Wiring Duct 80 x 120, natural	SP1331N	L-3
Wiring Duct Cap 30 x 30	SZ0047S	E-10
Wiring Duct Cap 30 x 60	SZ0046S	E-10
Wiring Duct Cap 60 x 60	SZ0049S	E-10
Wiring Duct Cap 16 x 40	SZ0053S	E-10
Wiring Duct Cap 40 x 40	SZ0050S	E-10
Wiring Duct Cap 40 x 80	SZ0051S	E-10
Wiring Duct Cap 80 x 80	SZ0052S	E-10
Wiring Duct Cap 80 x 120	SZ0055S	E-10
Wiring Duct Cover 30, natural	SP1281N	C-22
Wiring Duct Cover 40, natural	SP1371N	C-20
Wiring Duct Cover 40, natural	SP1371N	L-2
Wiring Duct Cover 60, natural	SP1291N	C-22
Wiring Duct Cover 80, natural	SP1381N	C-20
Wiring Duct Cover 80, natural	SP1381N	L-3
Wiring Duct Cover 120, natural	SP1391N	C-21
Wiring Duct Cover 120, natural	SP1391N	L-3
Wiring Duct Ø 27, natural	SP6461N	C-17
Wrench, with arm	SM5881N	N-58
Spanner Wrench, with arm	SM5880N	N-58
Wrench, with lever switch	SZ6190V	O-3

### Z

Z-Adjustment heavy	SM1060Z	N-48
--------------------	---------	------







*Paletti* Profilsysteme GmbH & Co. KG  
 Gewerbepark Meißen 17  
 D - 32423 Minden

Tel.: + 49 (5 71) 38 73 03 - 0  
 Fax: + 49 (5 71) 3 69 97

e-Mail: [sales@paletti.de](mailto:sales@paletti.de)  
 Website: <http://www.paletti.de>

**Concept, Design, Realization and Photos**

Every effort has been made to ensure that the information in this product overview is accurate at the time of issues. Nevertheless Paletti cannot accept liability in respect of any errors or omissions herein. Reproduction, including extracts, is permitted only with our written consent. Changes, in the sense of technical improvements, reserved.

© 2019 *Paletti* Profilsysteme GmbH & Co. KG

**Patents**

We point out that many components in this Product Overview are patent-protected and trademarked. The imitation of protected products is a rights violation and creates an entitlement to compensation. Indications and descriptions in this catalog do not discharge the user from making his own verification of possible infringements of the property rights of a third party.

**Product Liability**

In the case of machines from other manufacturers claims are explicitly excluded, especially in the case of a product defect which the manufacturer has to act for.

Paletti Profilsysteme GmbH & Co. KG cedes all your claims against the relative manufacturer or the pre-supplier to the purchaser.

